



US00D891237S

(12) **United States Design Patent** (10) **Patent No.:** **US D891,237 S**
Ross (45) **Date of Patent:** **** Jul. 28, 2020**

(54) **REFRACTORY ANCHOR**

(71) Applicant: **REFRACTORY ANCHORS, INC.**,
Broken Arrow, OK (US)

(72) Inventor: **Adrian Lavell Ross**, Tulsa, OK (US)

(73) Assignee: **Refractory Anchors Inc.**, Broken
Arrow, OK (US)

(**) Term: **15 Years**

(21) Appl. No.: **29/668,754**

(22) Filed: **Nov. 1, 2018**

(51) **LOC (12) Cl.** **08-08**

(52) **U.S. Cl.**
USPC **D8/384**

(58) **Field of Classification Search**
USPC D8/354, 384
CPC F27D 1/141; F27D 1/14; F27D 1/145
See application file for complete search history.

(56) **References Cited**

U.S. PATENT DOCUMENTS

D25,868 S *	8/1896	Noyes	D8/354
3,657,851 A *	4/1972	Chambers	F27D 1/141
				52/378
D285,647 S *	9/1986	Sachs	174/41
5,353,567 A *	10/1994	Knight	F23M 5/04
				110/336
D425,403 S *	5/2000	Medina	D8/354
D637,070 S *	5/2011	Wall	D8/382
8,844,239 B2 *	9/2014	Garot	E04B 1/41
				52/699
D730,157 S *	5/2015	Buchman	D8/349
D761,085 S *	7/2016	Cox	D8/354
D841,435 S *	2/2019	Domeck	D8/354

(Continued)

OTHER PUBLICATIONS

RA-50, posted at rai-1.com, posting date not given, [online], [site visited Mar. 13, 2020]. Available from Internet, URL: <http://rai-1.com/product/ra-50/> (Year: 2020).*

(Continued)

Primary Examiner — George D. Kirschbaum

Assistant Examiner — Maria J Edwards

(74) *Attorney, Agent, or Firm* — Crowe & Dunlevy, P.C.

(57) **CLAIM**

The ornamental design for a refractory anchor, as shown and described.

DESCRIPTION

FIG. 1 is a perspective view of a refractory anchor showing the design;

FIG. 2 is a front elevation view of FIG. 1;

FIG. 3 is a rear elevation view of FIG. 1;

FIG. 4 is a first side elevation view of FIG. 1;

FIG. 5 is a second side view of FIG. 1;

FIG. 6 is a top elevation view of FIG. 1;

FIG. 7 is a bottom elevation view of FIG. 1;

FIG. 8 is a perspective view of a second embodiment of the refractory anchor showing the design;

FIG. 9 is a front elevation view of FIG. 8;

FIG. 10 is a rear elevation view of FIG. 8;

FIG. 11 is a first side elevation view of FIG. 8;

FIG. 12 is a second side view of FIG. 8;

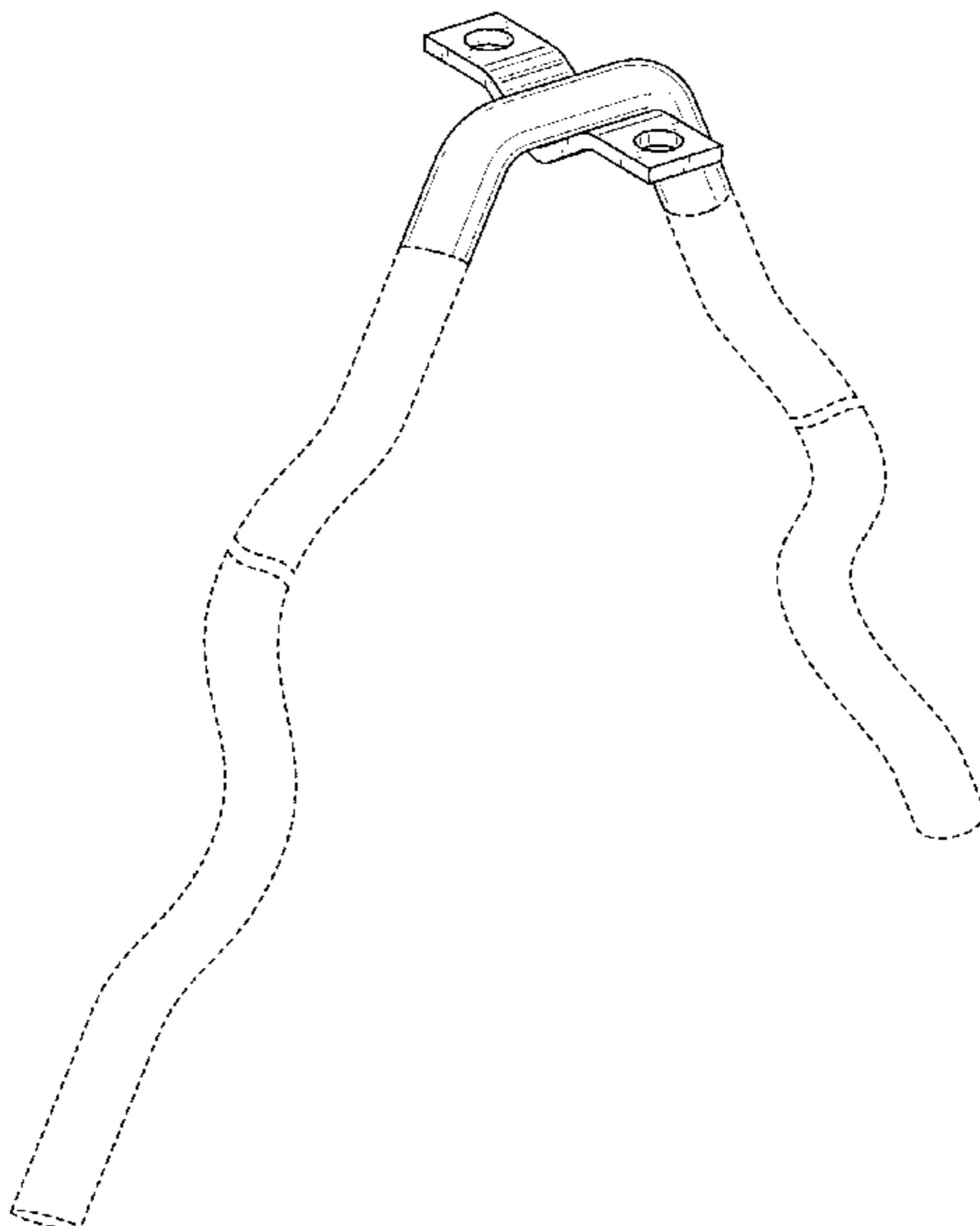
FIG. 13 is a top elevation view of FIG. 8; and,

FIG. 14 is a bottom elevation view of FIG. 8.

The evenly dashed broken lines shown in the figures represent portions of the refractory anchor and form no part of the claimed design. The short dash-long dash broken lines represent boundaries of the claim and form no part of the claimed design.

The break lines in the drawings indicate that the appearance of any portion of the refractory anchor between the break lines forms no part of the claimed design.

1 Claim, 12 Drawing Sheets



(56)

References Cited

U.S. PATENT DOCUMENTS

2013/0043368 A1* 2/2013 Hill E04H 17/1421
248/534

OTHER PUBLICATIONS

Rotalock refractory anchors, posted at [tflhouston.com](https://www.tflhouston.com), posting date not given, [online], [site visited Mar. 13, 2020]. Available from Internet, URL: <https://www.tflhouston.com/rotalock-refractory-anchors/> (Year: 2020).*

Ss-304-refractory-anchors, posted at [savoy piping.com](https://www.savoy piping.com), posting date not given, [online], [site visited Mar. 13, 2020]. Available from Internet, URL: <https://www.savoy piping.com/ss-304-refractory-anchors.html> (Year: 2020).*

Stainless steel refractory anchor, posted at [hiteshsteel.com](https://www.hiteshsteel.com), posting date not given, [online], [site visited Mar. 13, 2020]. Available from Internet, URL: <https://www.hiteshsteel.com/refractory-anchors-manufacturers-india.html#v> (Year: 2020).*

* cited by examiner

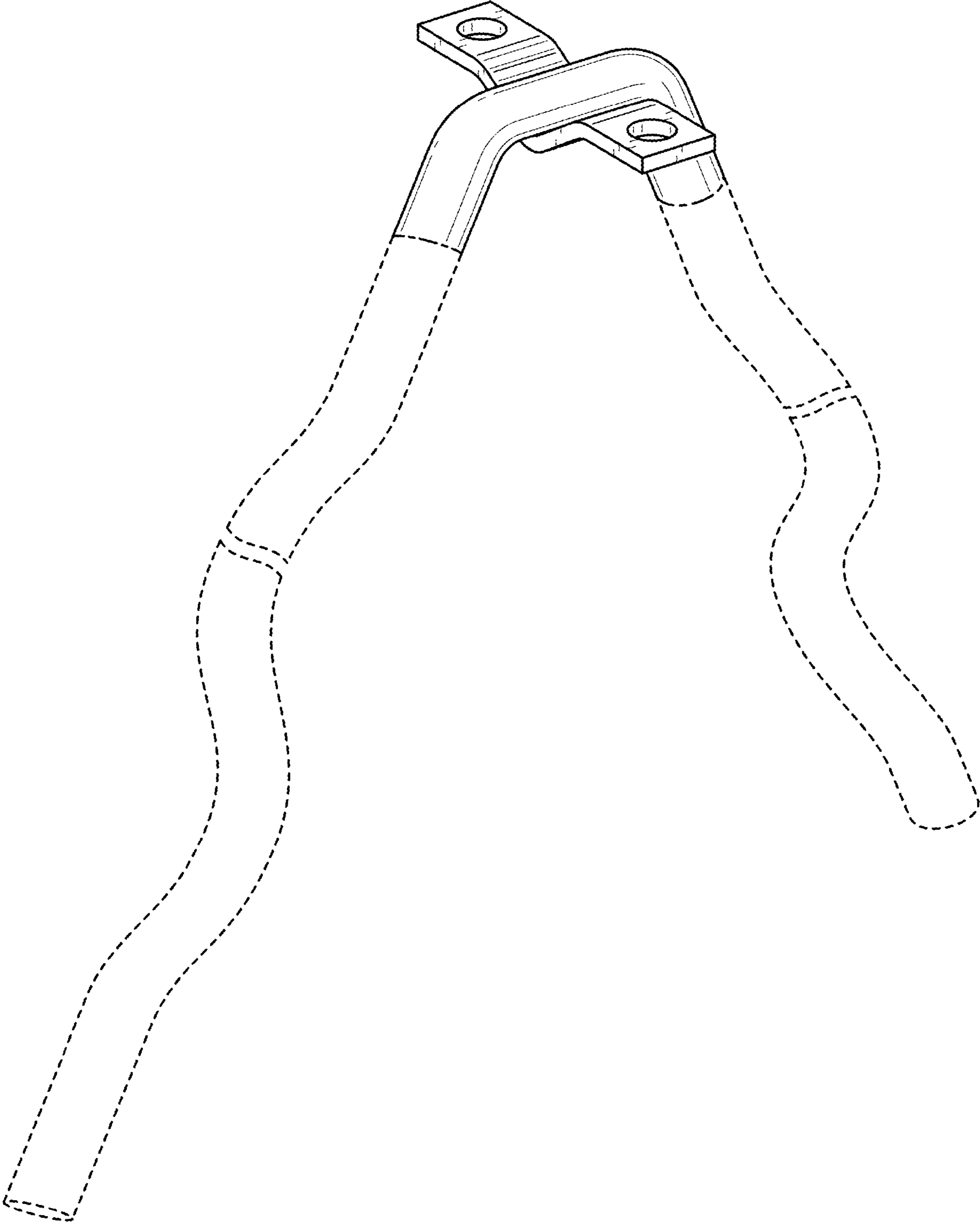


FIG. 1

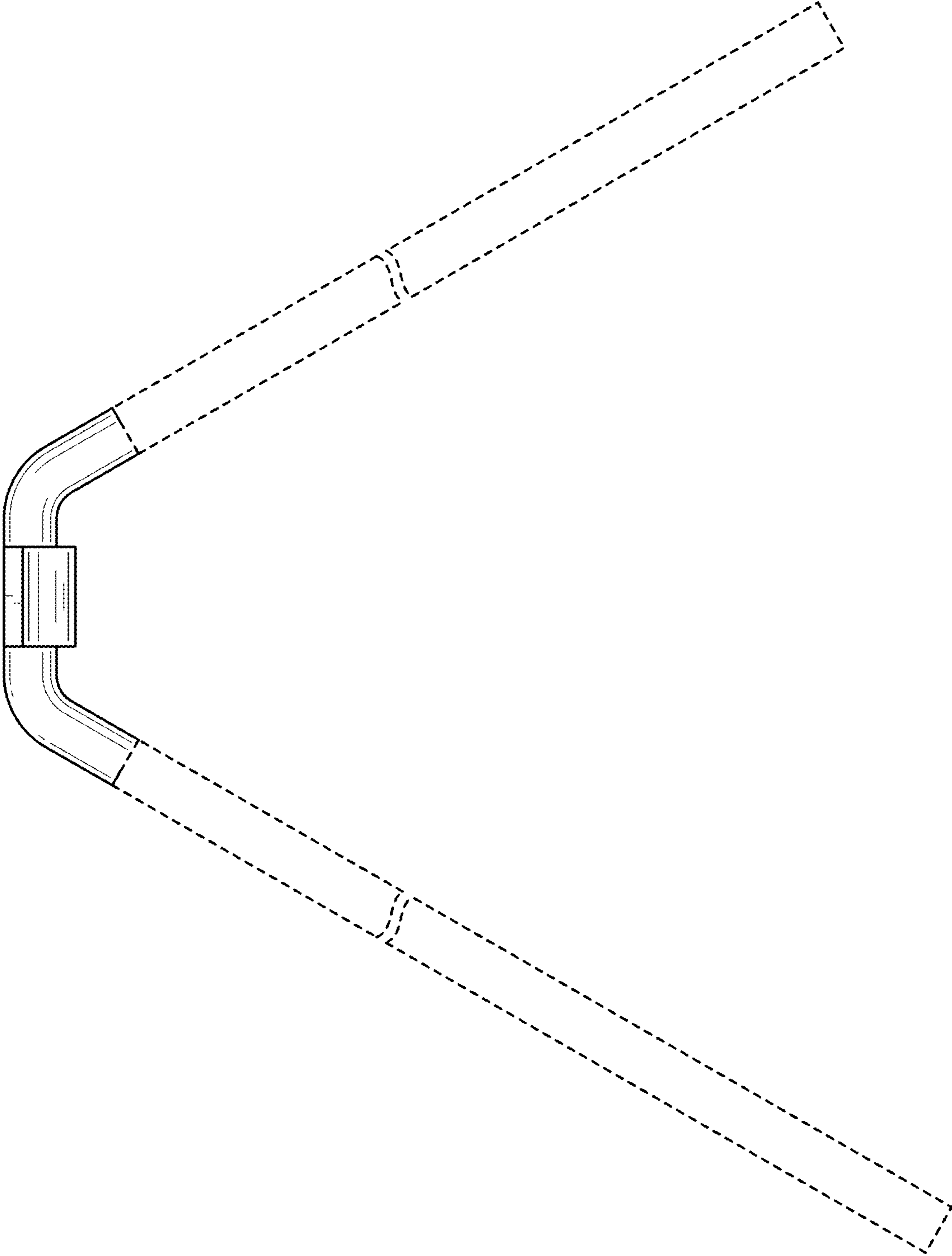


FIG. 2

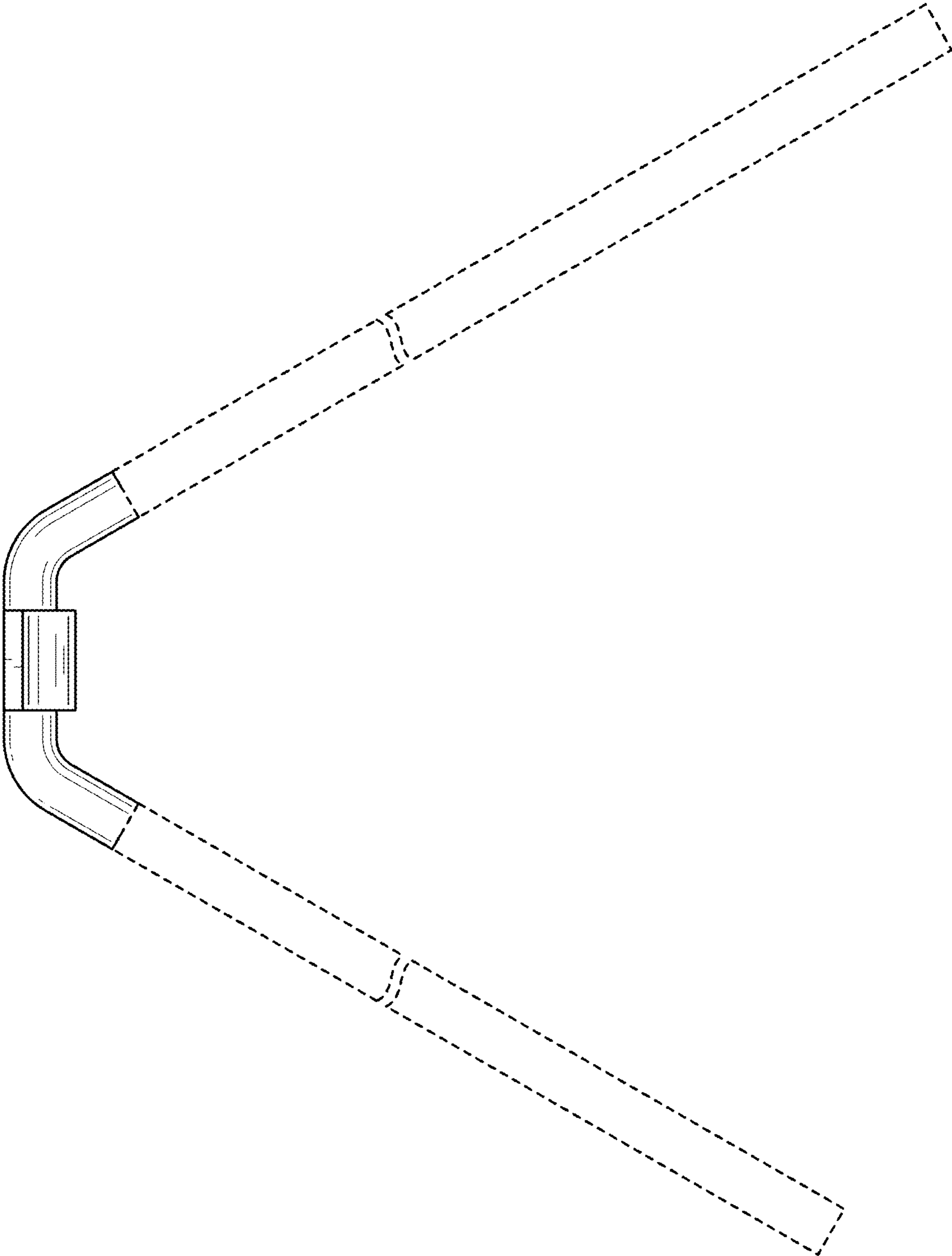


FIG. 3

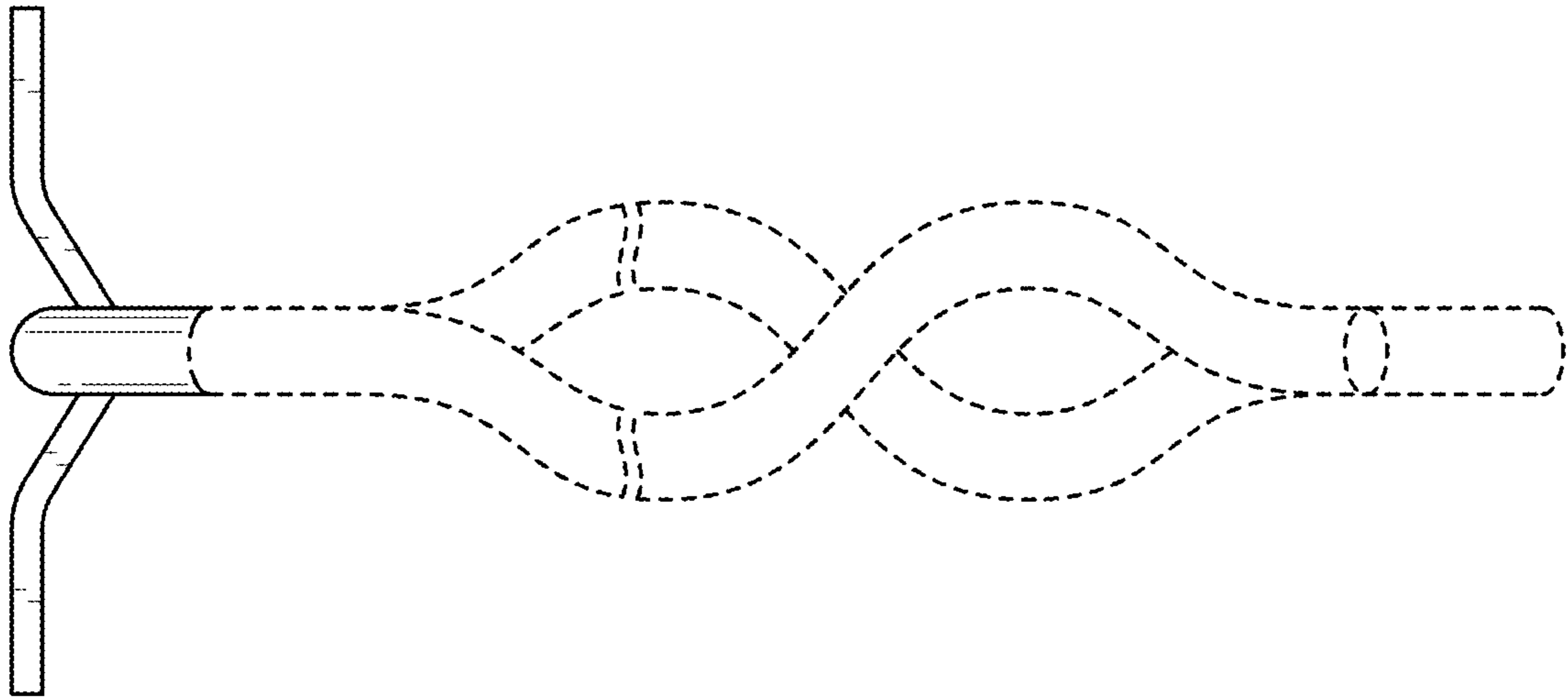


FIG. 5

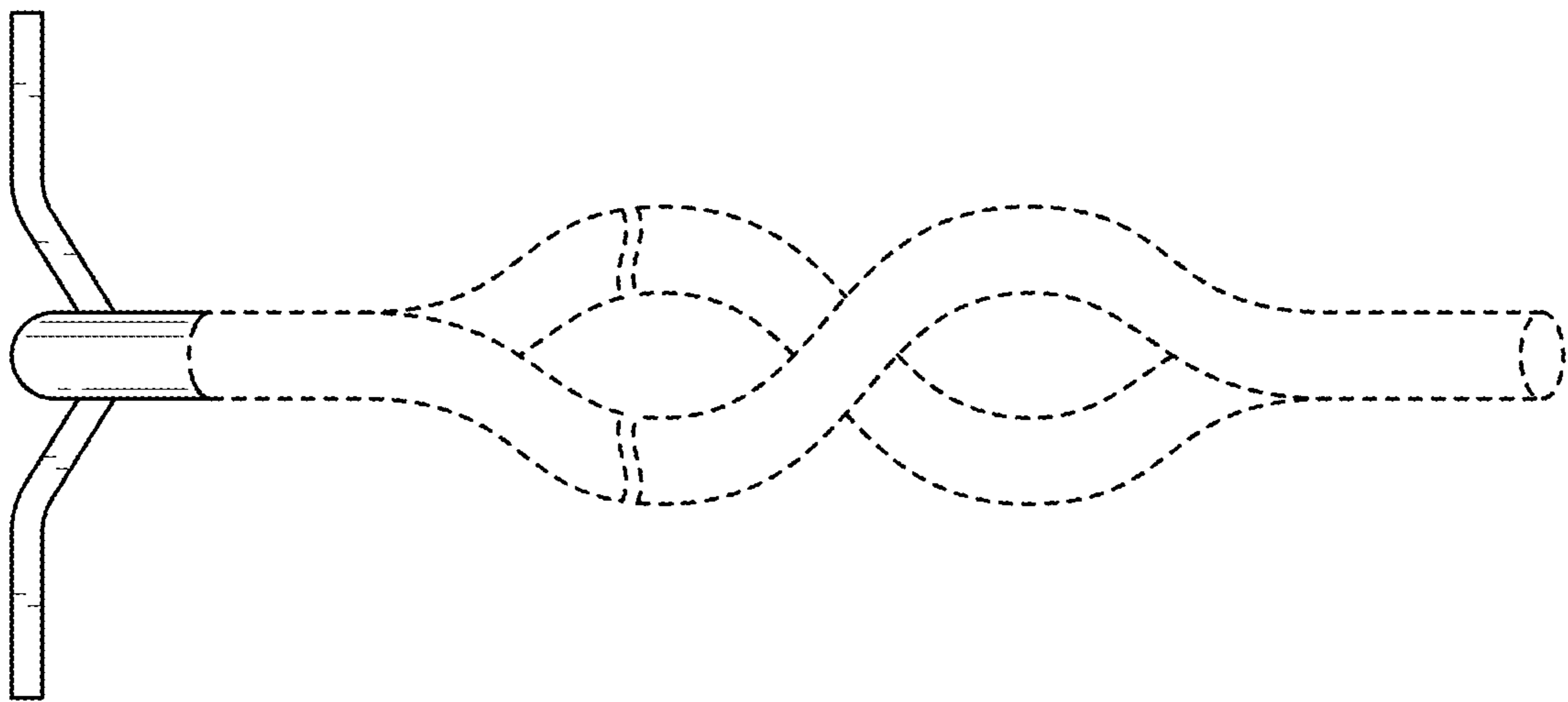


FIG. 4

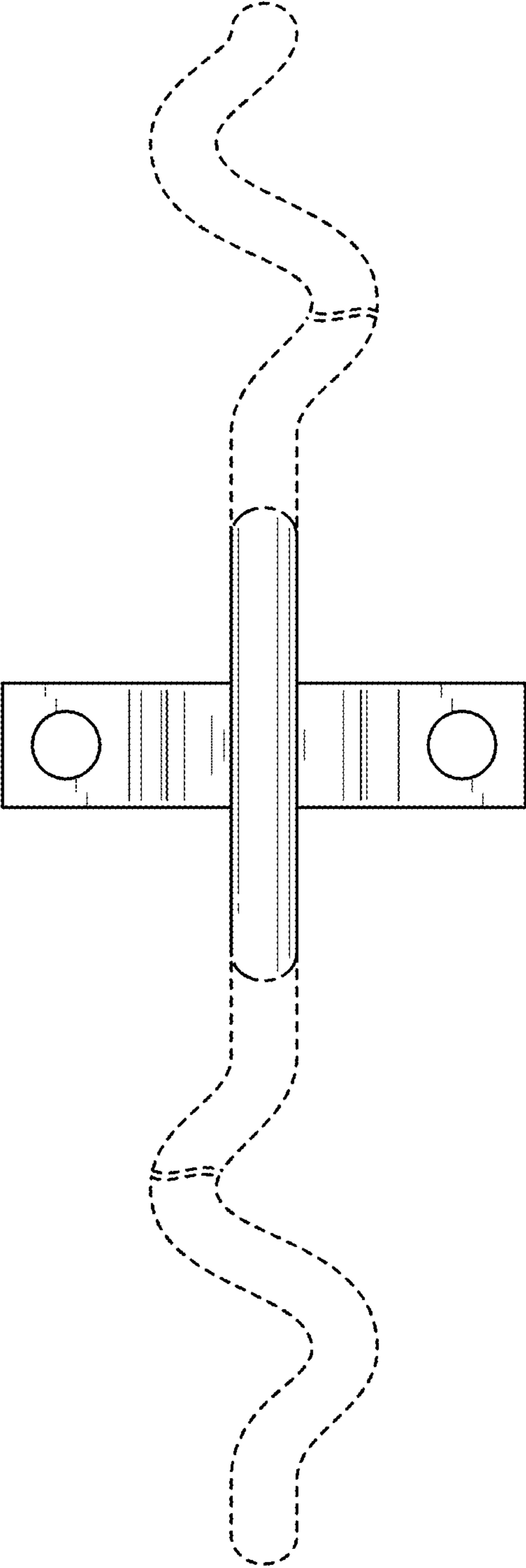


FIG. 6

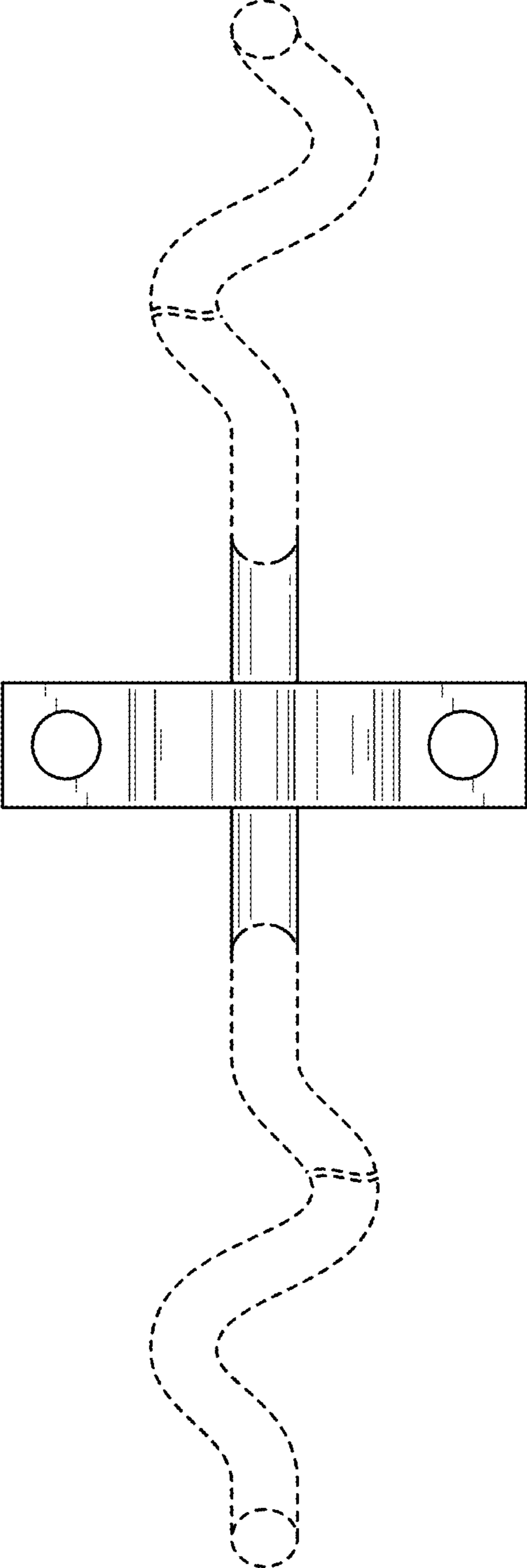


FIG. 7

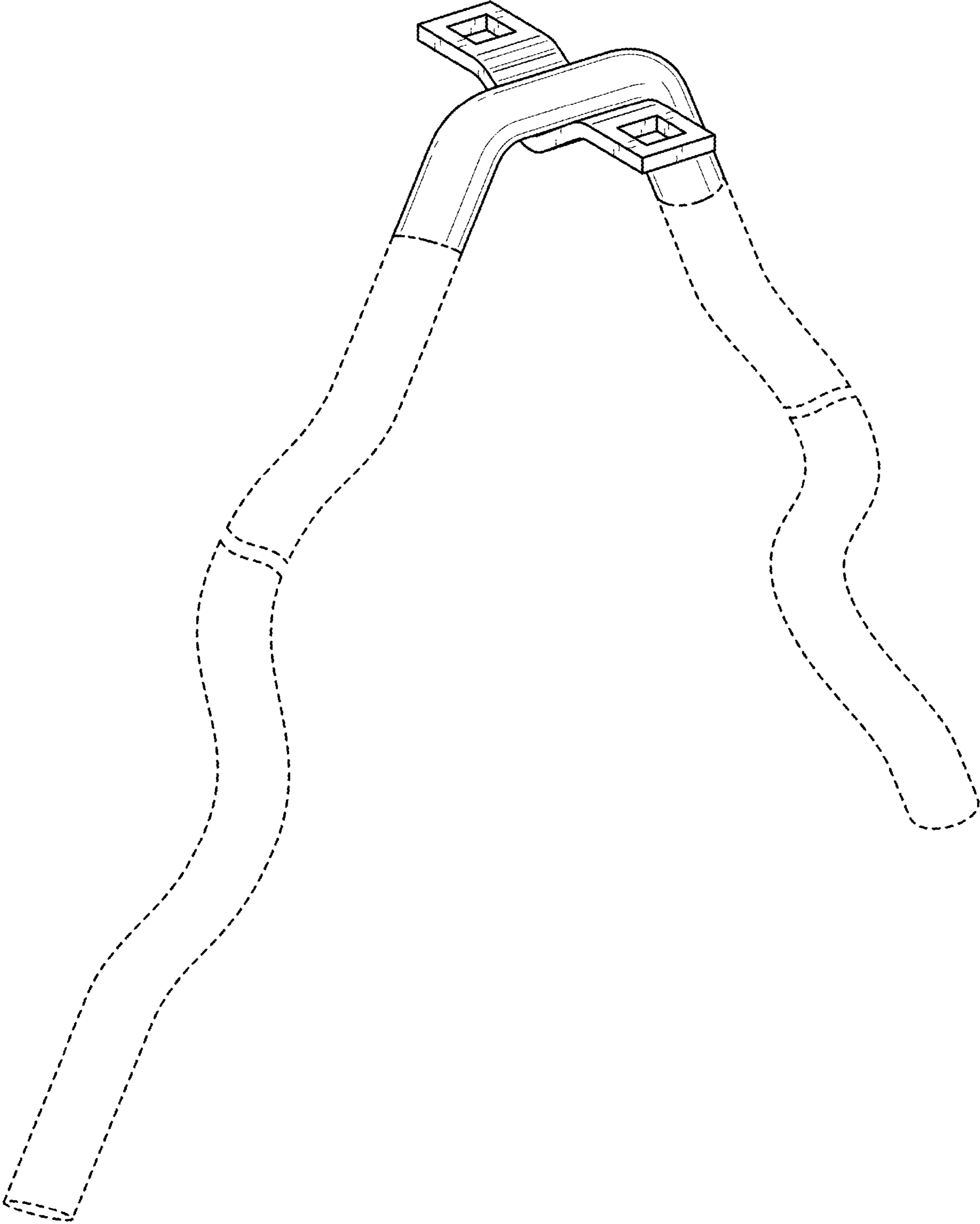


FIG. 8

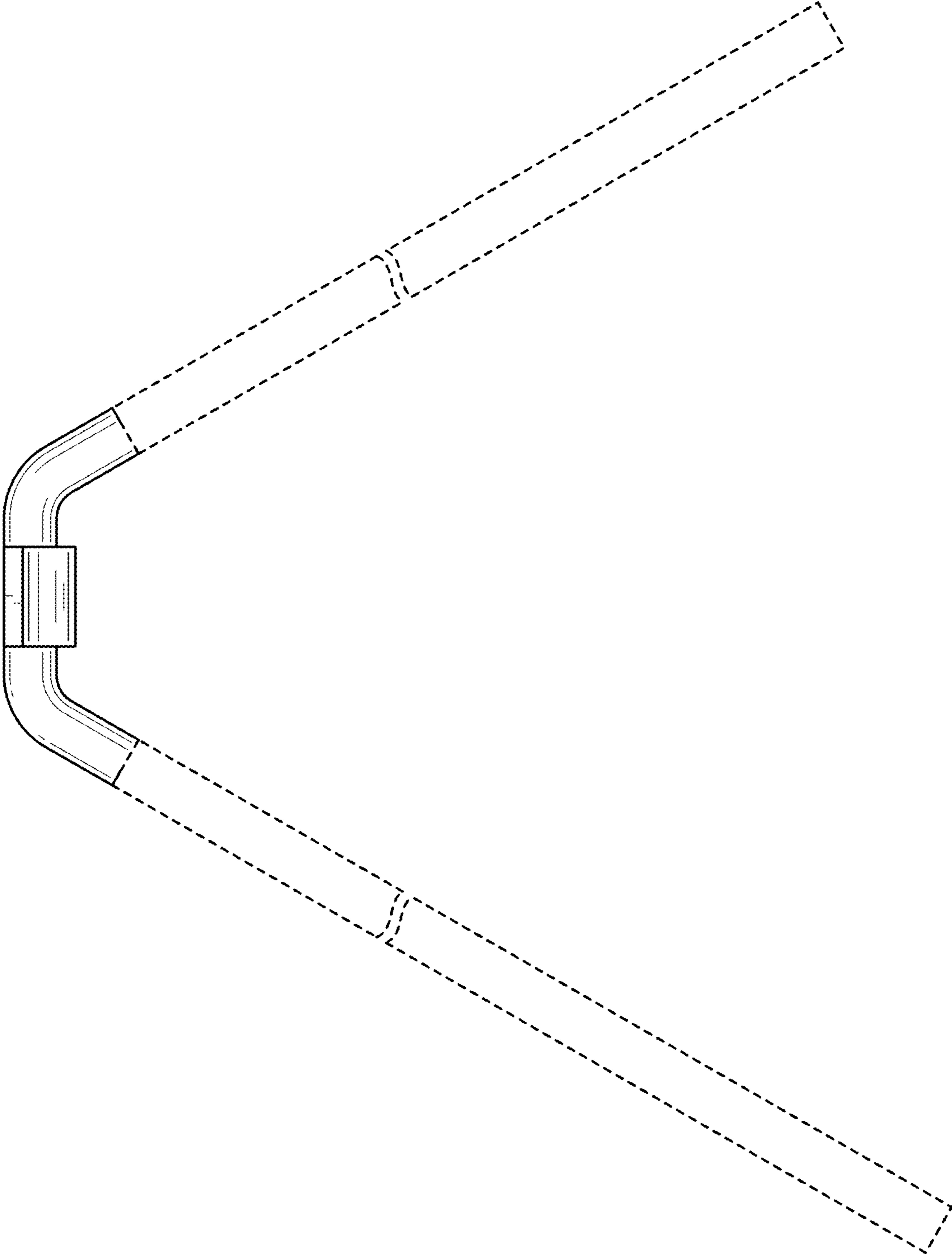


FIG. 9

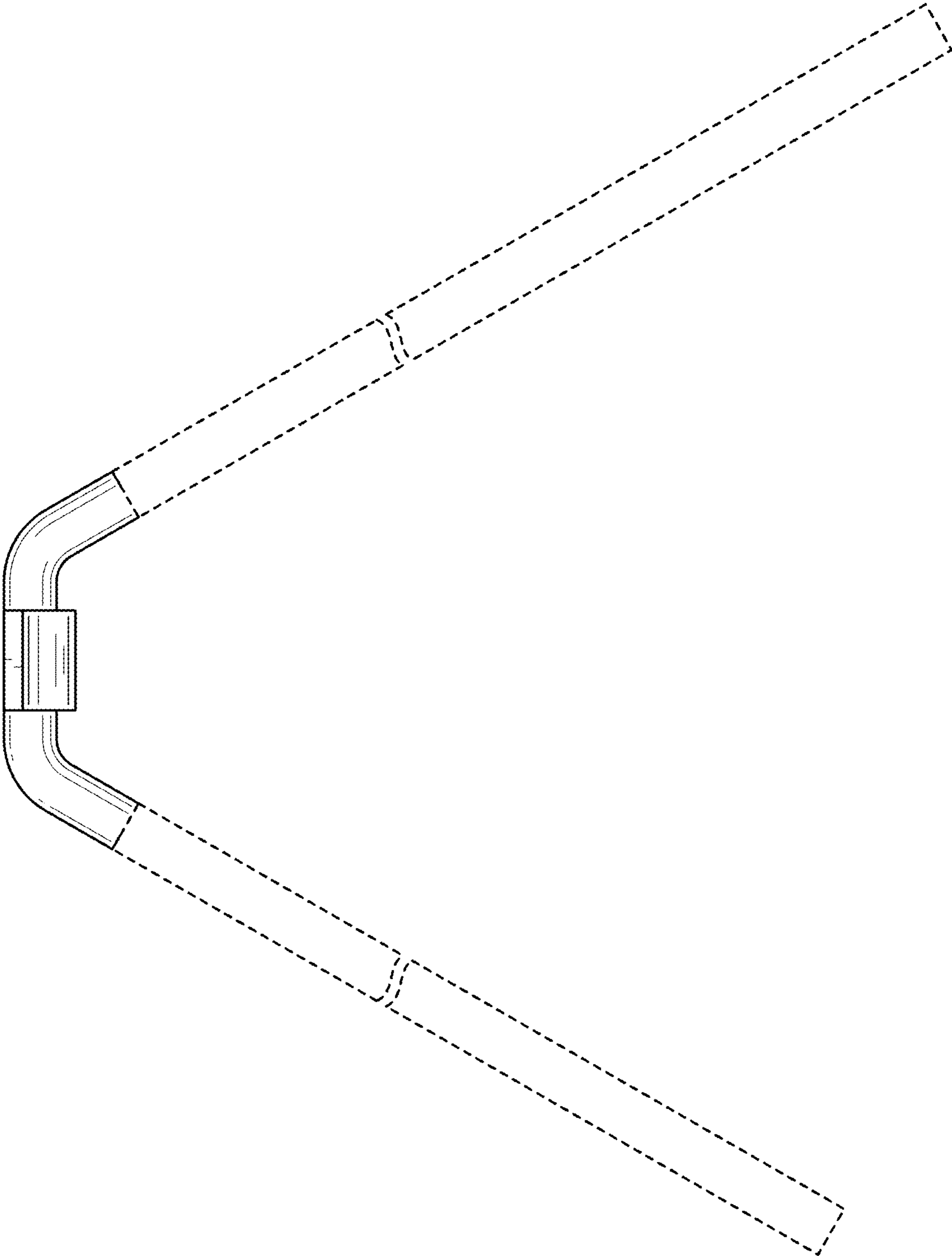


FIG. 10

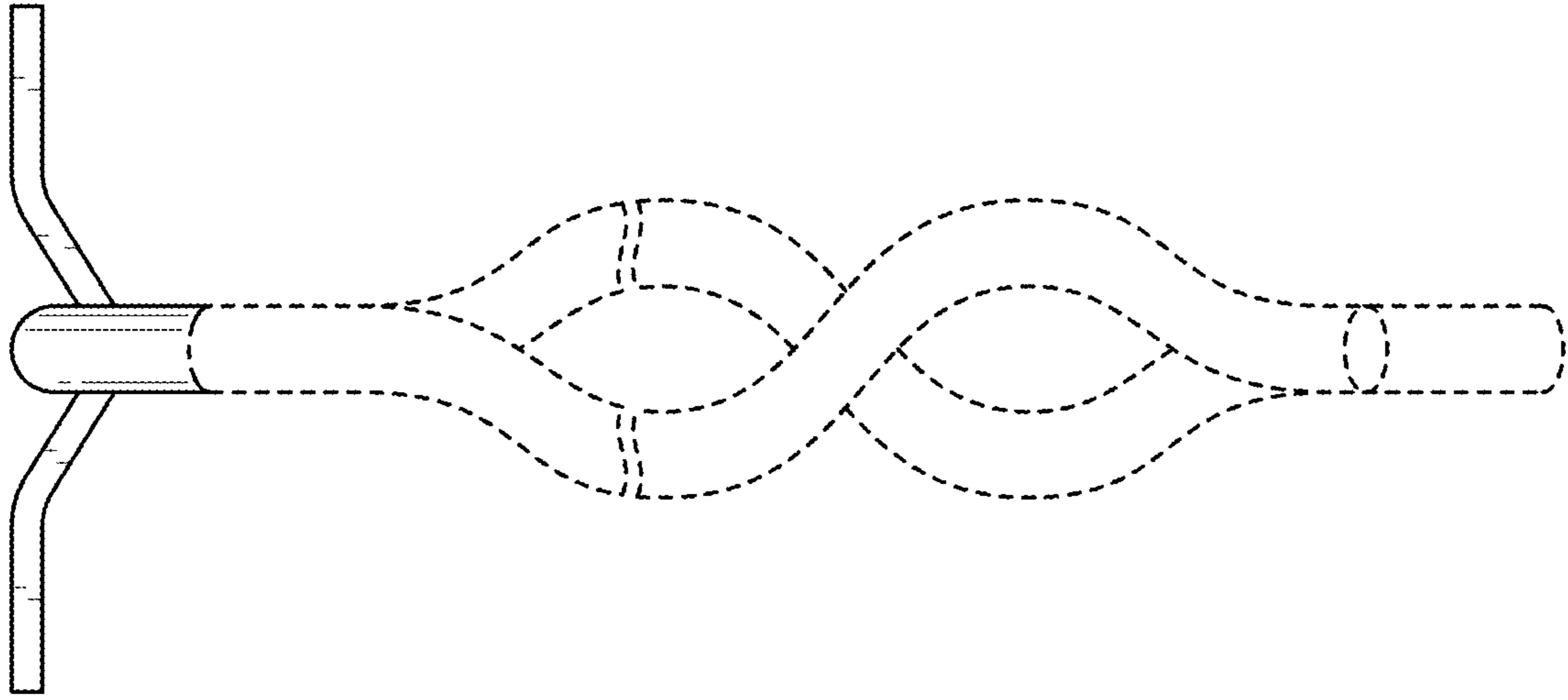


FIG. 12

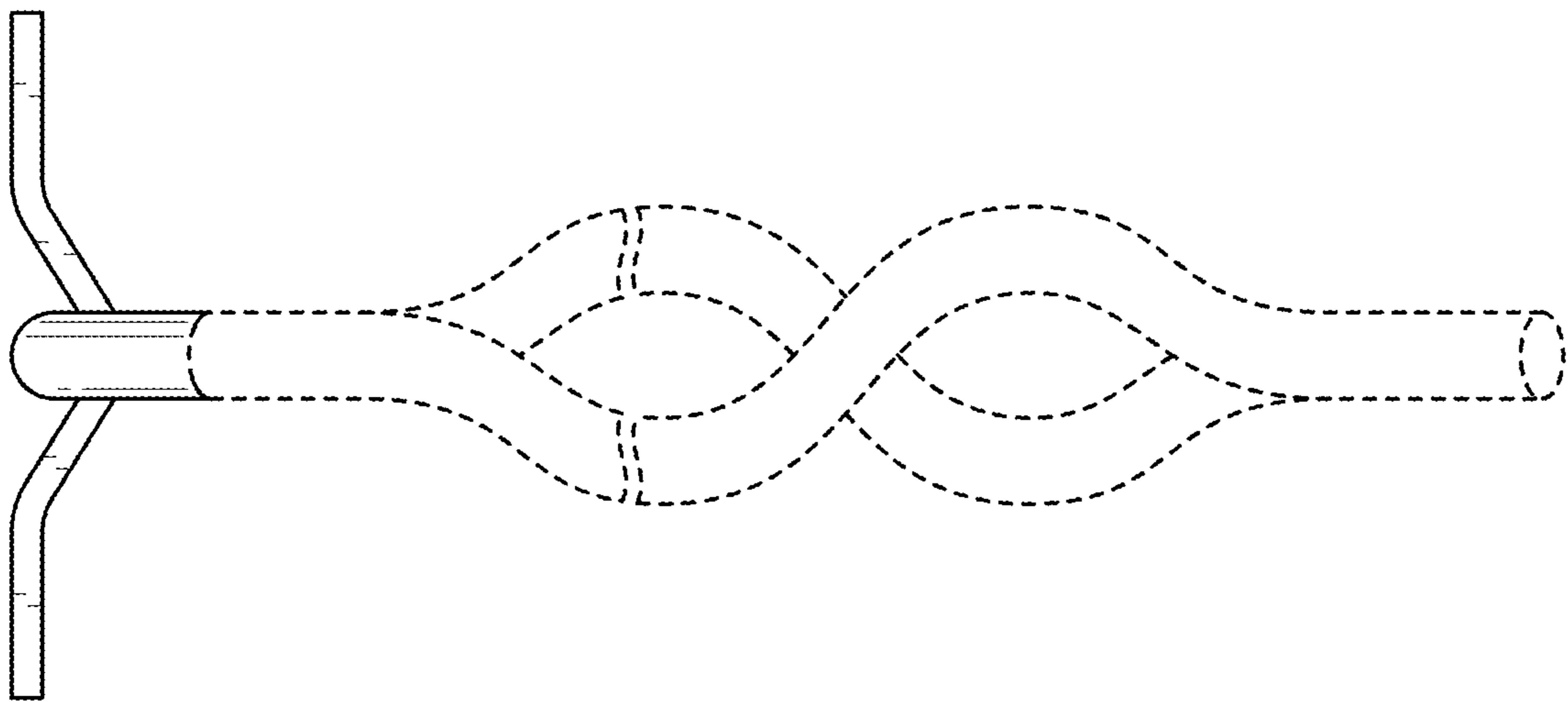


FIG. 11

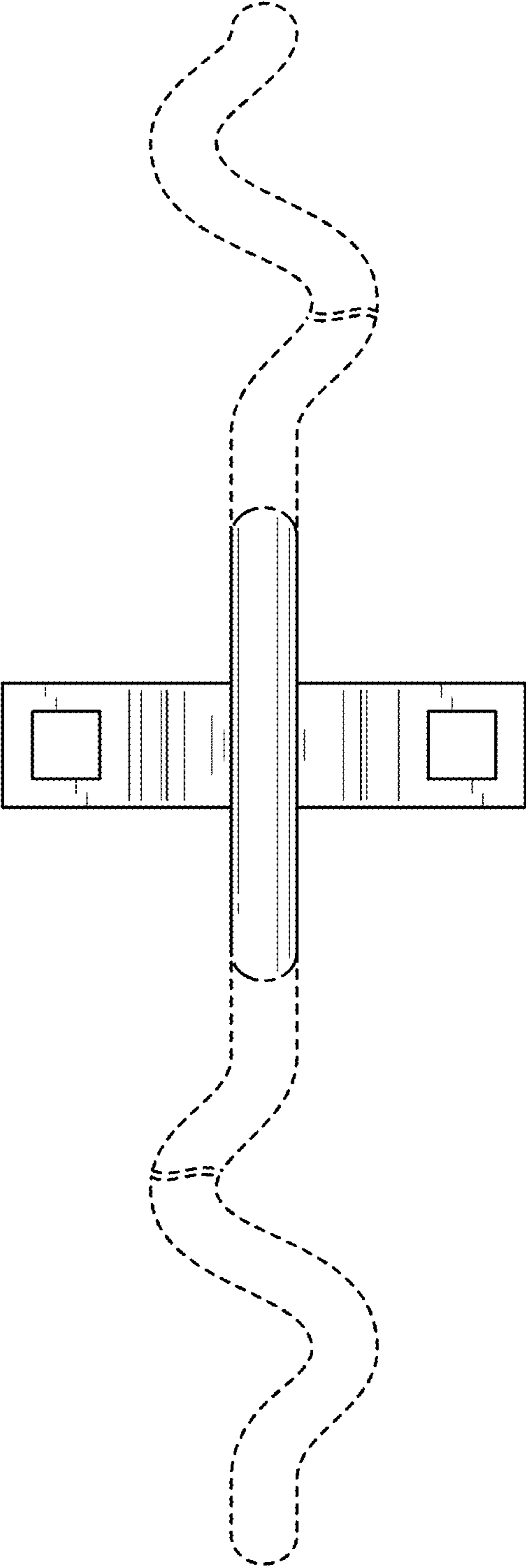


FIG. 13

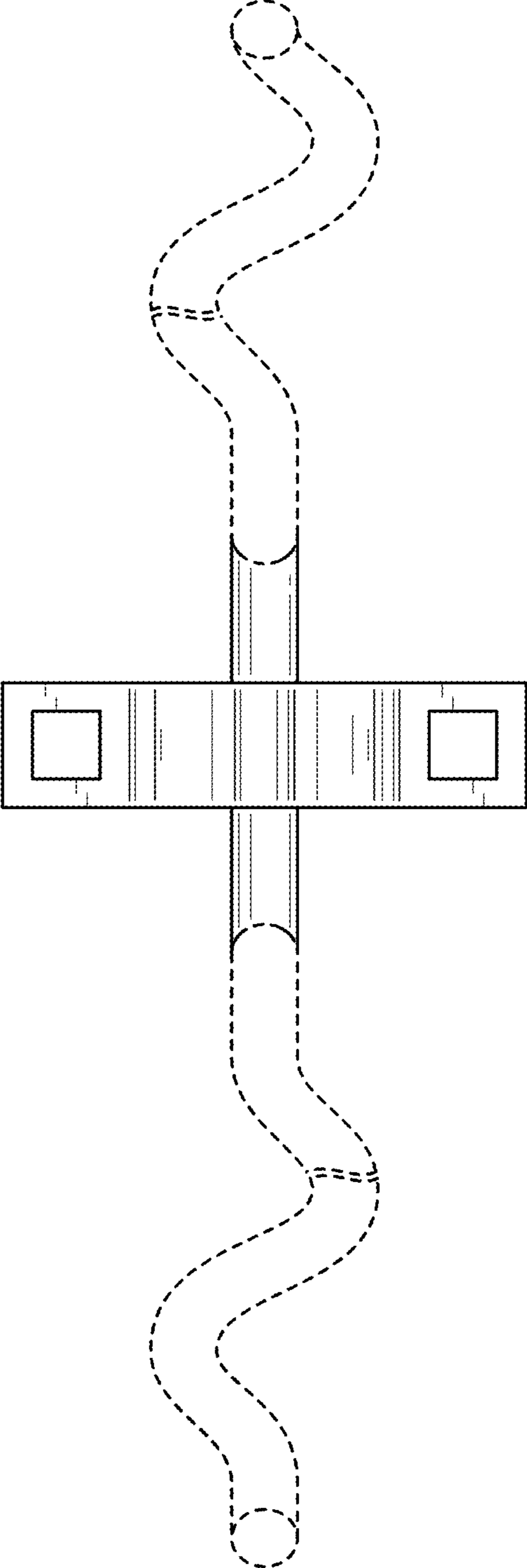


FIG. 14