



US00D891236S

(12) **United States Design Patent**  
**Kaufman**

(10) **Patent No.:** **US D891,236 S**  
(45) **Date of Patent:** **\*\* Jul. 28, 2020**

- (54) **CLIP AND BELT ASSEMBLY**
- (71) Applicant: **ECO FARE LTD (UK)**, London (GB)
- (72) Inventor: **Shai Kaufman**, London (GB)
- (73) Assignee: **ECO FARE LTD (UK)**, London (GB)
- (\*) Notice: Patent file contains an affidavit/declaration under 37 CFR 1.130(b).
- (\*\*) Term: **15 Years**
- (21) Appl. No.: **29/680,844**
- (22) Filed: **Feb. 20, 2019**
- (51) **LOC (12) Cl.** ..... **12-16**
- (52) **U.S. Cl.**  
USPC ..... **D8/382; D12/414**
- (58) **Field of Classification Search**  
USPC ..... **D8/382; D12/412, 414**  
CPC ..... **A44B 17/0041; B60J 11/02; B60J 7/104; B36B 17/02**  
See application file for complete search history.

6,623,224 B2 9/2003 Schrader  
 6,655,887 B2 12/2003 McDonald  
 6,705,811 B1 3/2004 Selby  
 (Continued)

**FOREIGN PATENT DOCUMENTS**

EP 1396380 A3 8/2006  
 WO 2017086786 A1 5/2017

**OTHER PUBLICATIONS**

Rabbitgoo Rooftop Cargo Hooks, amazon reveiw, Aug. 2019, large reference image.\*

(Continued)

*Primary Examiner* — John Windmuller  
 (74) *Attorney, Agent, or Firm* — The Roy Gross Law Firm, LLC; Roy Gross

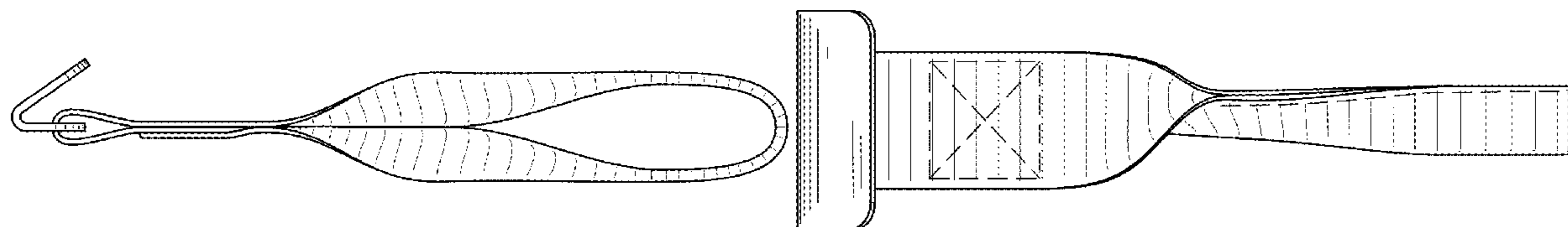
(57) **CLAIM**

The ornamental design for clip and belt assembly, as shown and described.

**DESCRIPTION**

FIG. 1 is a right view of a clip and belt assembly in accordance with the new design;  
 FIG. 2 is a top view thereof;  
 FIG. 3 is a left view thereof;  
 FIG. 4 is a bottom view thereof;  
 FIG. 5 is a front view thereof;  
 FIG. 6 is a rear view thereof;  
 FIG. 7 is a front perspective view thereof;  
 FIG. 8 is a perspective view of the clip and belt assembly in use thereof;  
 FIG. 9 is a perspective view thereof in use; and,  
 FIG. 10 is a perspective view thereof in use.  
 The broken lines shown in FIGS. 8-10 are directed to environment and are for illustrative purposes only; the broken lines form no part of the claimed design.

**1 Claim, 4 Drawing Sheets**



(56)

References Cited

U.S. PATENT DOCUMENTS

7,214,014	B2	5/2007	Stanley	
7,290,312	B2 *	11/2007	Kawensky	..... B63B 17/02 24/301
7,972,099	B2	7/2011	Leggett et al.	
8,079,116	B2	12/2011	Ayers et al.	
D667,340	S *	9/2012	LeRoux	..... D11/220
8,550,757	B2	10/2013	Anderson et al.	
9,259,828	B2	2/2016	Bermes	
9,339,086	B2	5/2016	Hill	
9,751,449	B2	9/2017	Bermes	
10,071,620	B2 *	9/2018	Hunter	..... B60J 7/104
2002/0090275	A1	7/2002	Zhan et al.	
2005/0133556	A1	6/2005	Bolin	
2006/0037178	A1	2/2006	Sulhoff	
2006/0177282	A1	8/2006	Blosser	
2012/0192384	A1 *	8/2012	Kelly	..... F16B 2/08 24/302
2014/0130310	A1	5/2014	Roth	
2015/0313325	A1 *	11/2015	West	..... A41H 43/00 428/99

OTHER PUBLICATIONS

Rabbitgoo Rooftop Cargo Hooks, amazon review, Nov. 2010, for comparison to identical RoofPax product.\*

Roofpax Cargo Tie Down Hooks, Amazon review, Dec. 4, 2018, "102 date a".\*

Roofpax Cargo Tie Down Hooks, Amazon review, Dec. 8, 2018 and seven other reveiws from prior to instant filing date, "102 date b".\*

Roofpax Cargo Tie Down Hooks, Amazon review, Oct. 9, 2018 and three other reveiws from prior to instant filing date, "102 date c".\*

P.I. Auto Store Roofmaster Rooftop Cargo Carrier for All Cars Automobiles With Without Roof Rack Unique Waterproof Design <http://www.amazon.com/P-I-Auto-Store-Rooftop-Vehicles>.

Roofpax-6 Rooftop Cargo Tie Down Hooks for Strapping Down Any Car Top Cargo. No More Straps Inside Your Car, Sturdy, 100% Waterproof. Attaches to Car Door Frame. <http://roofpax.com/product/roofpax-roof-top-cargo-carrier-hooks>.

Roofpax-6 Rooftop Cargo Tie-Down Hooks for Strapping on Any Car Top [hhttps://www.amazon.com/RoofPax-Securing-Luggage-Waterproof-Attached](https://www.amazon.com/RoofPax-Securing-Luggage-Waterproof-Attached).

\* cited by examiner

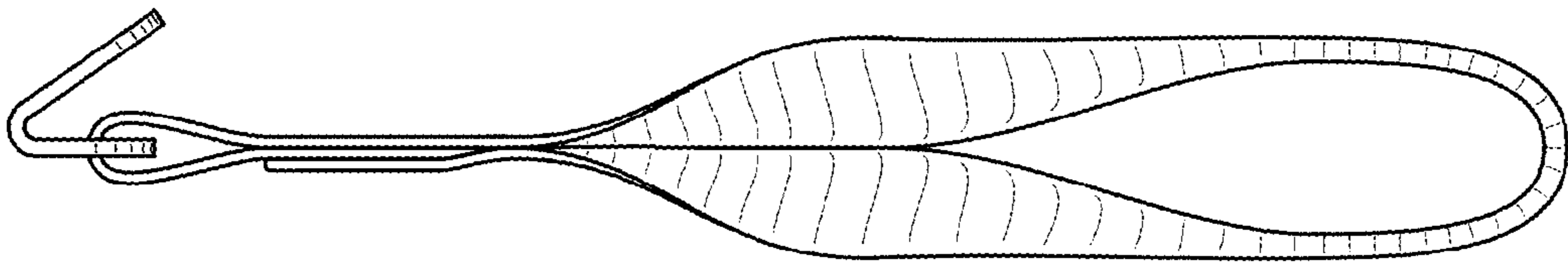


FIG. 1

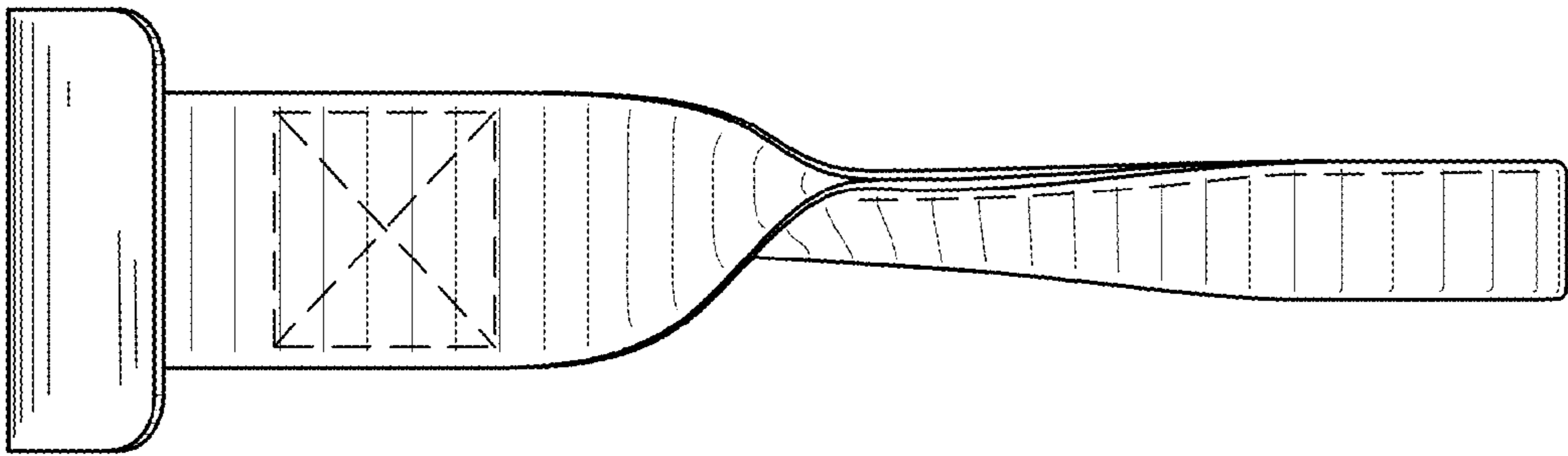


FIG. 2

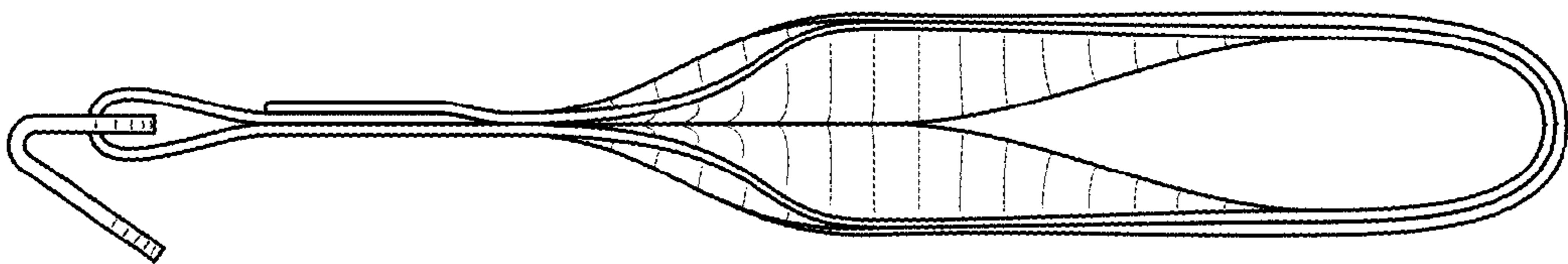


FIG. 3

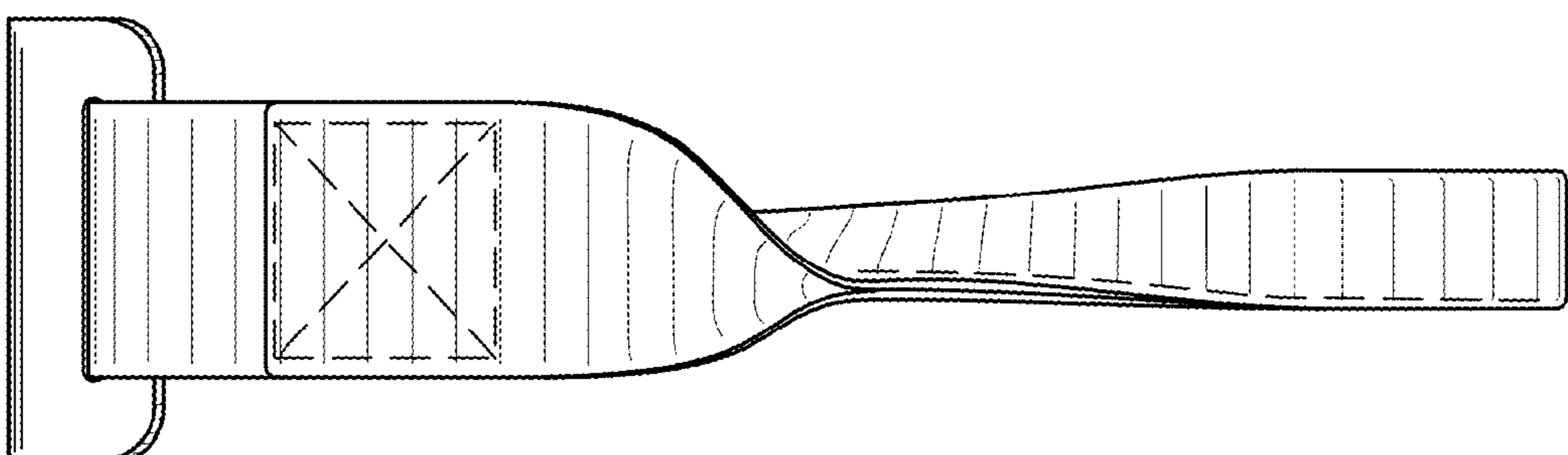


FIG. 4

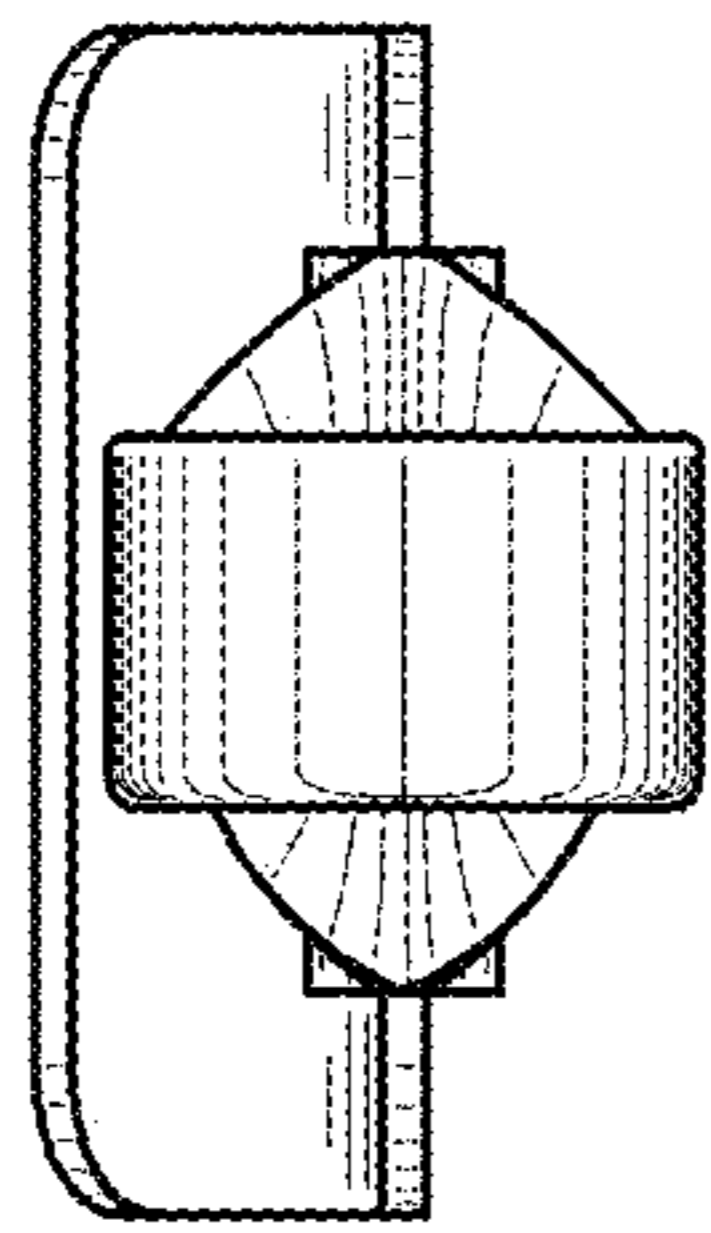


FIG. 5

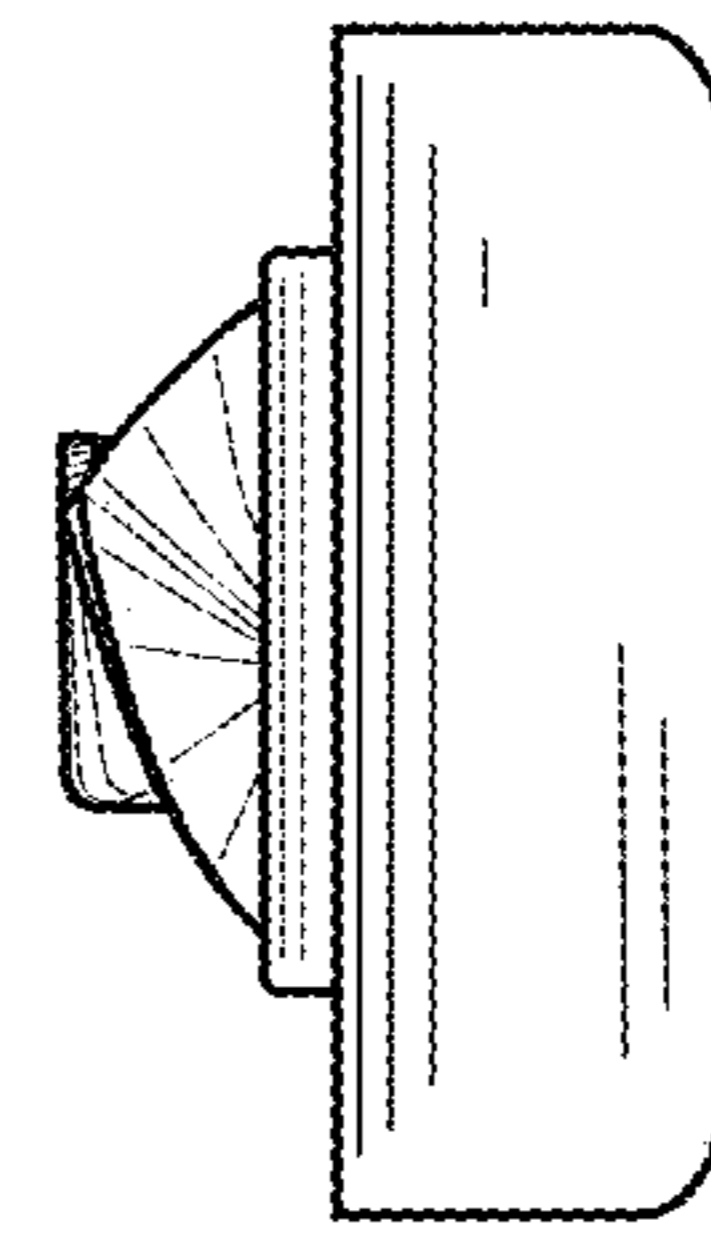


FIG. 6

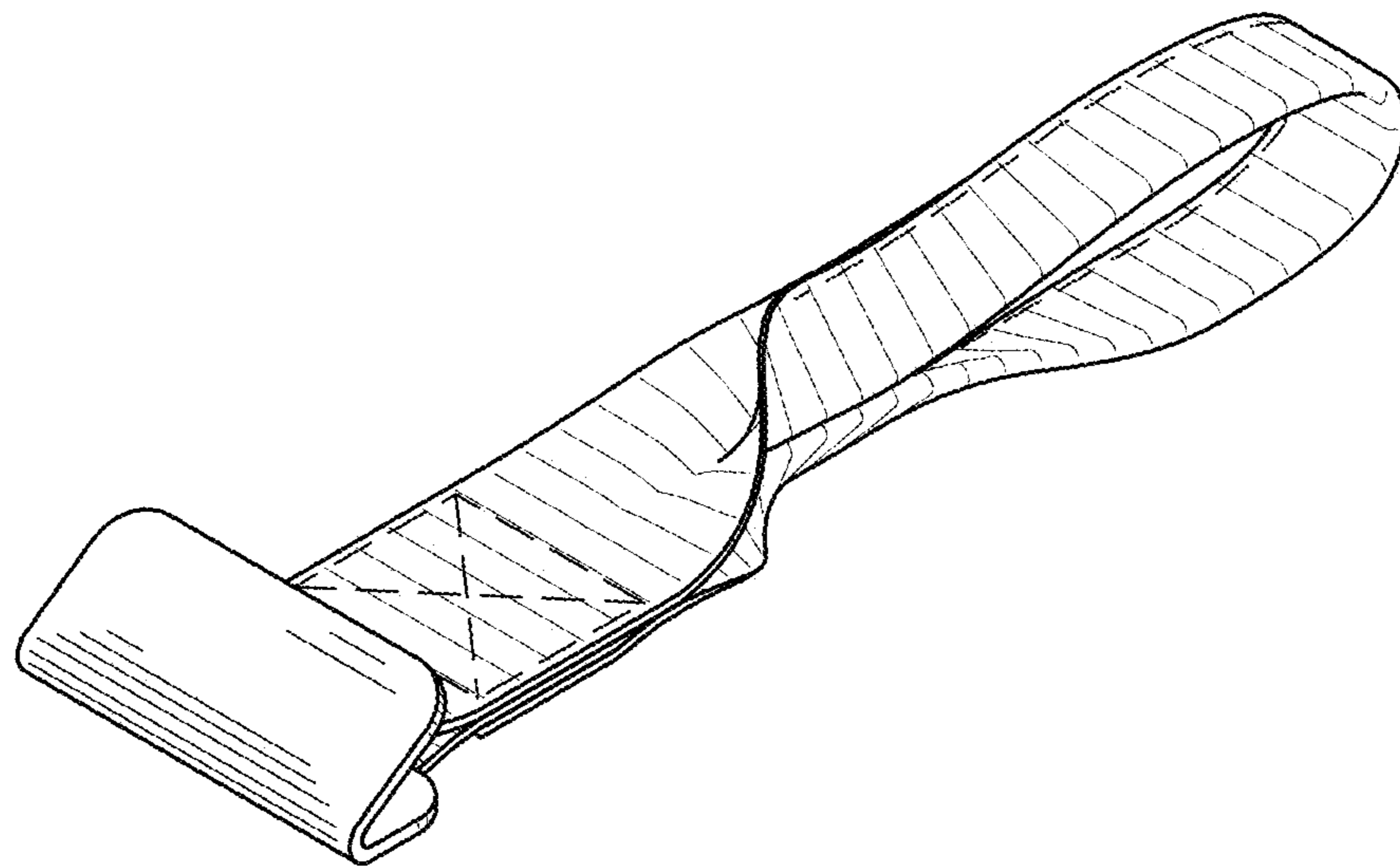


FIG. 7

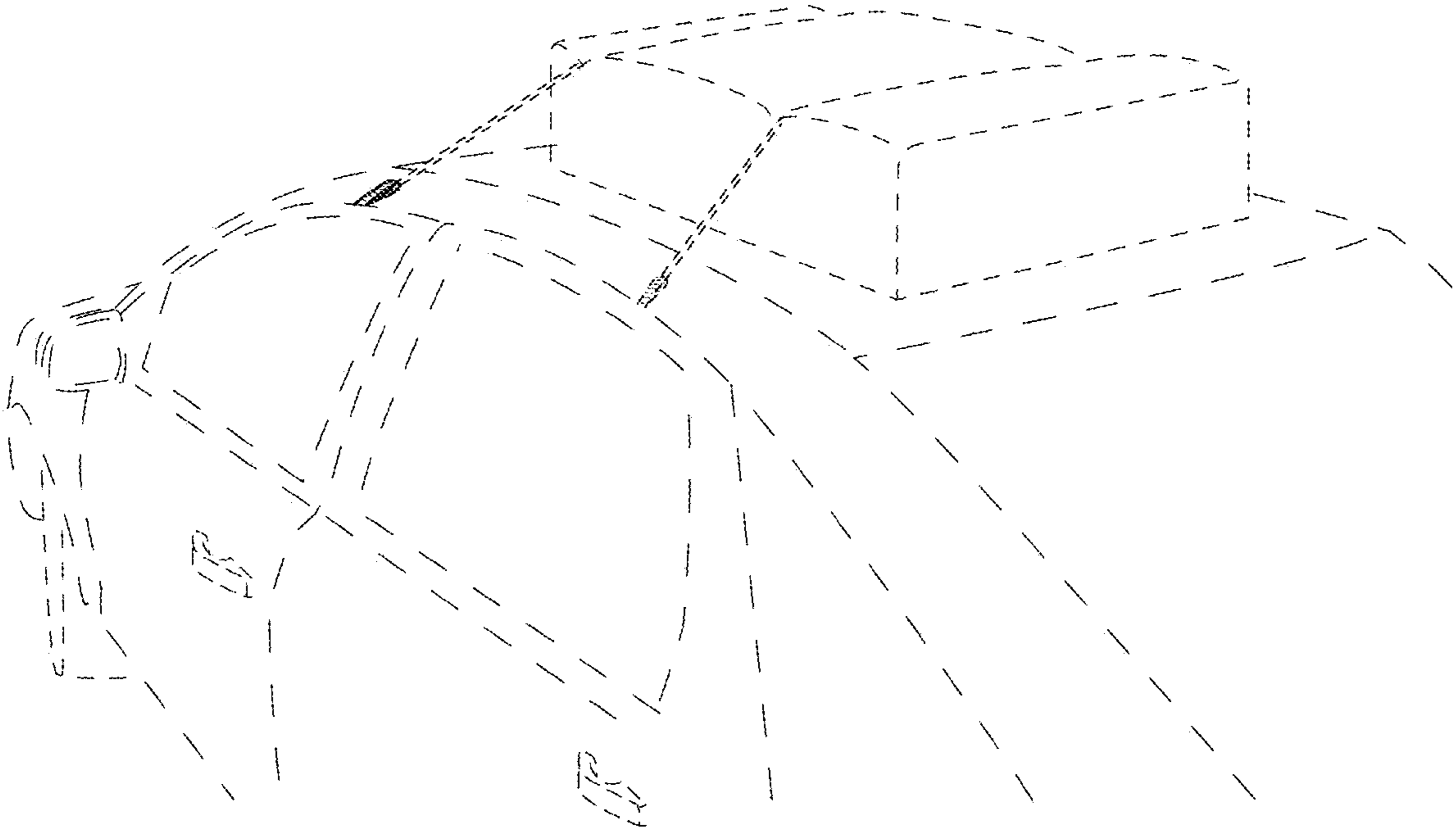


FIG. 8

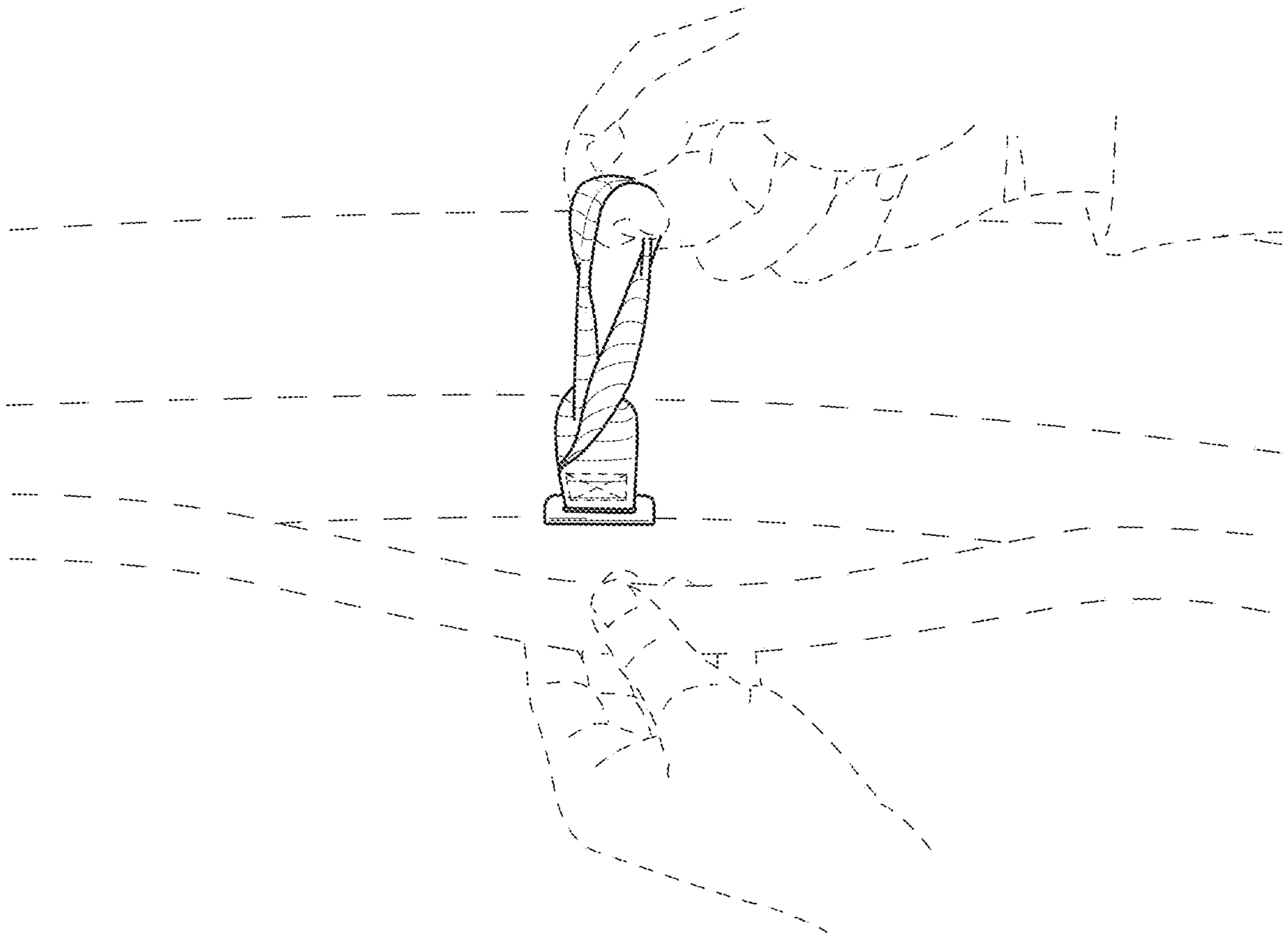


FIG. 9

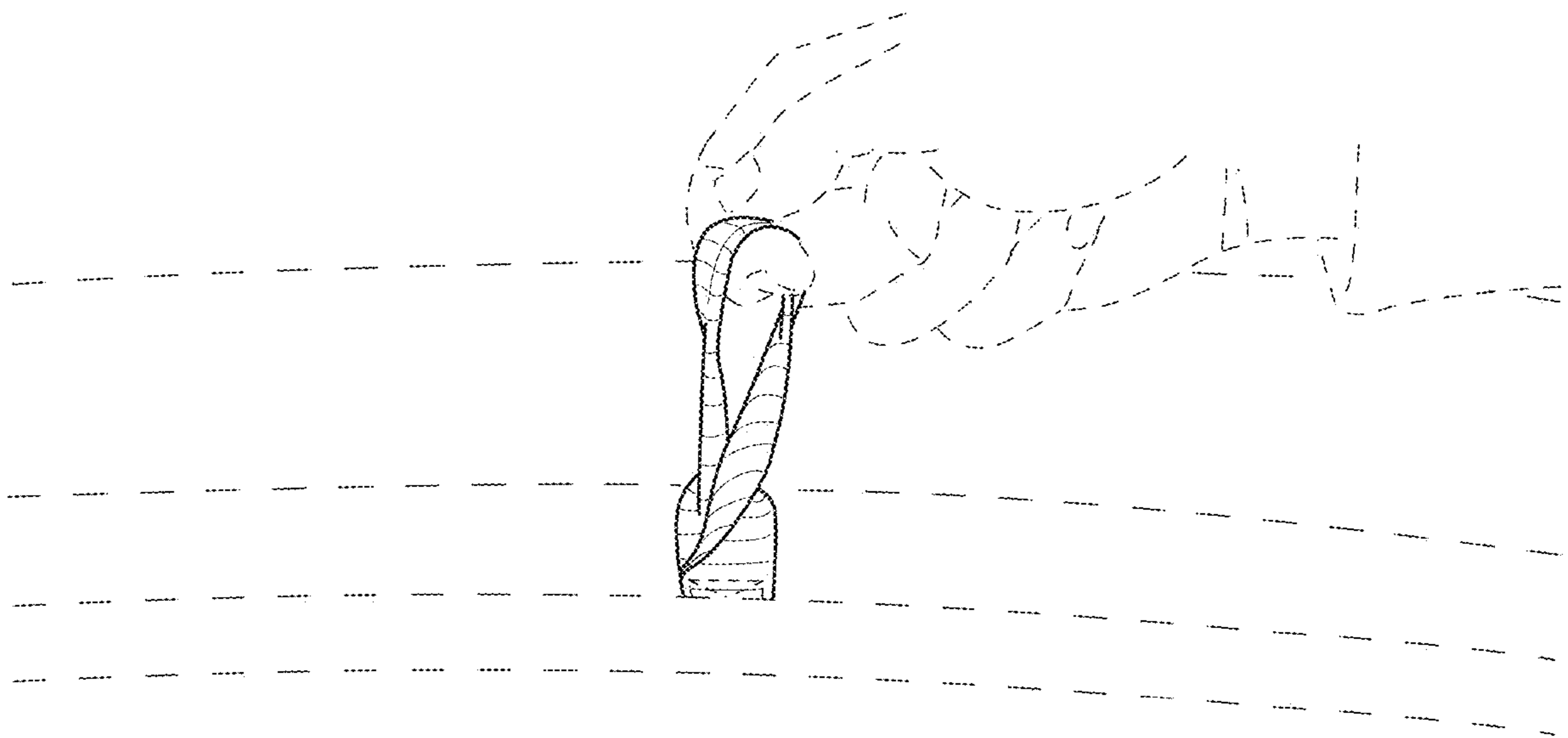


FIG. 10