



US00D891235S

(12) **United States Design Patent**
Liebelt et al.

(10) **Patent No.:** **US D891,235 S**
(45) **Date of Patent:** **** Jul. 28, 2020**

(54) **FASTENER**
(71) Applicant: **ILLINOIS TOOL WORKS INC.**,
Glenview, IL (US)
(72) Inventors: **Scott M. Liebelt**, Eau Claire, WI (US);
Sean A. Tomaselli, West Bloomfield,
MI (US)
(73) Assignee: **Illinois Tool Works Inc.**, Glenview, IL
(US)

5,695,307 A * 12/1997 Takahashi F16B 5/0642
411/508
5,907,891 A * 6/1999 Meyer F16B 19/004
24/297
6,719,513 B1 * 4/2004 Moutousis F16B 21/084
411/510
6,799,931 B2 * 10/2004 Kwilosz F16B 21/084
24/453
7,503,528 B2 * 3/2009 Adams F16B 5/0685
24/297

(Continued)

(**) Term: **15 Years**

(21) Appl. No.: **29/676,386**

(22) Filed: **Jan. 10, 2019**

(51) **LOC (12) Cl.** **08-08**

(52) **U.S. Cl.**
USPC **D8/382**

(58) **Field of Classification Search**
USPC D8/349, 354, 382, 385, 387, 388, 393,
D8/394, 395, 397, 398, 402, 499
CPC .. F16B 19/002; F16B 19/004; F16B 19/1081;
F16B 21/082; F16B 21/084; F16B
21/086; Y10S 411/913; Y10S 411/908
See application file for complete search history.

(56) **References Cited**

U.S. PATENT DOCUMENTS

3,141,209 A * 7/1964 Van Buren, Jr. F16B 5/128
24/291
D268,006 S * 2/1983 Wollar D8/382
D298,736 S * 11/1988 Shiraishi D8/382
D298,801 S * 12/1988 Satoh D8/382
4,840,523 A * 6/1989 Oshida F16B 19/1081
411/48
5,306,098 A * 4/1994 Lewis F16B 19/004
411/510
5,368,261 A * 11/1994 Caveney F16L 3/233
248/73

FOREIGN PATENT DOCUMENTS

WO 2018/212939 A1 11/2018

Primary Examiner — Sandra S Snapp

Assistant Examiner — Ieisha N Price

(74) *Attorney, Agent, or Firm* — Quarles & Brady LLP

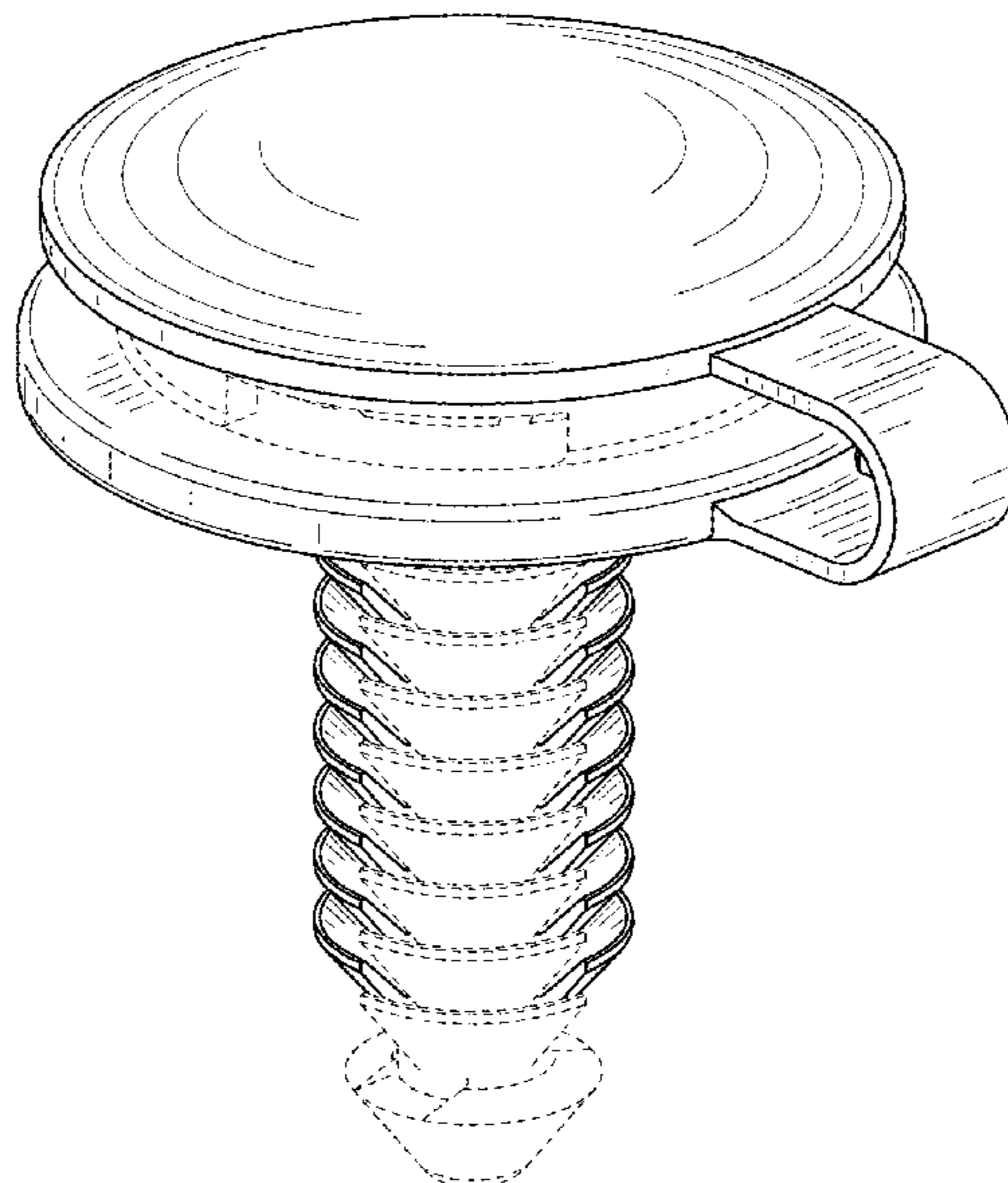
(57) **CLAIM**

The ornamental design for a fastener, as shown and described.

DESCRIPTION

FIG. 1 is an isometric view of a front, top, and right side of an ornamental design for a fastener;
FIG. 2 is an isometric view of a front, bottom, and right side of the fastener of FIG. 1;
FIG. 3 is a front elevational view of the fastener of FIG. 1;
FIG. 4 is a rear elevational view of the fastener of FIG. 1;
FIG. 5 is a right side elevational view of the fastener of FIG. 1;
FIG. 6 is a left side elevational view of the fastener of FIG. 1;
FIG. 7 is a top plan view of the fastener of FIG. 1; and,
FIG. 8 is a bottom plan view of the fastener of FIG. 1.
The broken lines in the drawings illustrate portions of the fastener and form no part of the claimed design.

1 Claim, 5 Drawing Sheets



(56)

References Cited

U.S. PATENT DOCUMENTS

7,862,272 B2 * 1/2011 Nakajima F16B 21/084
411/41
8,028,962 B2 * 10/2011 Geiger F16L 3/13
248/74.3
8,601,649 B2 * 12/2013 Klein F16B 21/084
24/289
D778,715 S * 2/2017 Deachin D8/382
9,669,770 B1 * 6/2017 Schlaupitz B60R 16/0215
9,828,151 B2 * 11/2017 Aoyama F16B 21/086
9,862,422 B2 * 1/2018 Jarvis B62D 25/025
10,462,910 B2 * 10/2019 Brodbeck H05K 7/142
2003/0231943 A1 * 12/2003 Detter F16B 19/004
411/510
2006/0239796 A1 * 10/2006 Franks F16B 21/084
411/455
2012/0217355 A1 * 8/2012 Geiger F16L 3/12
248/74.2
2013/0119208 A1 * 5/2013 Geiger F16L 3/233
248/68.1
2015/0219136 A1 * 8/2015 Koelling F16B 19/002
411/510
2016/0223100 A1 * 8/2016 Geiger F16L 3/137

* cited by examiner

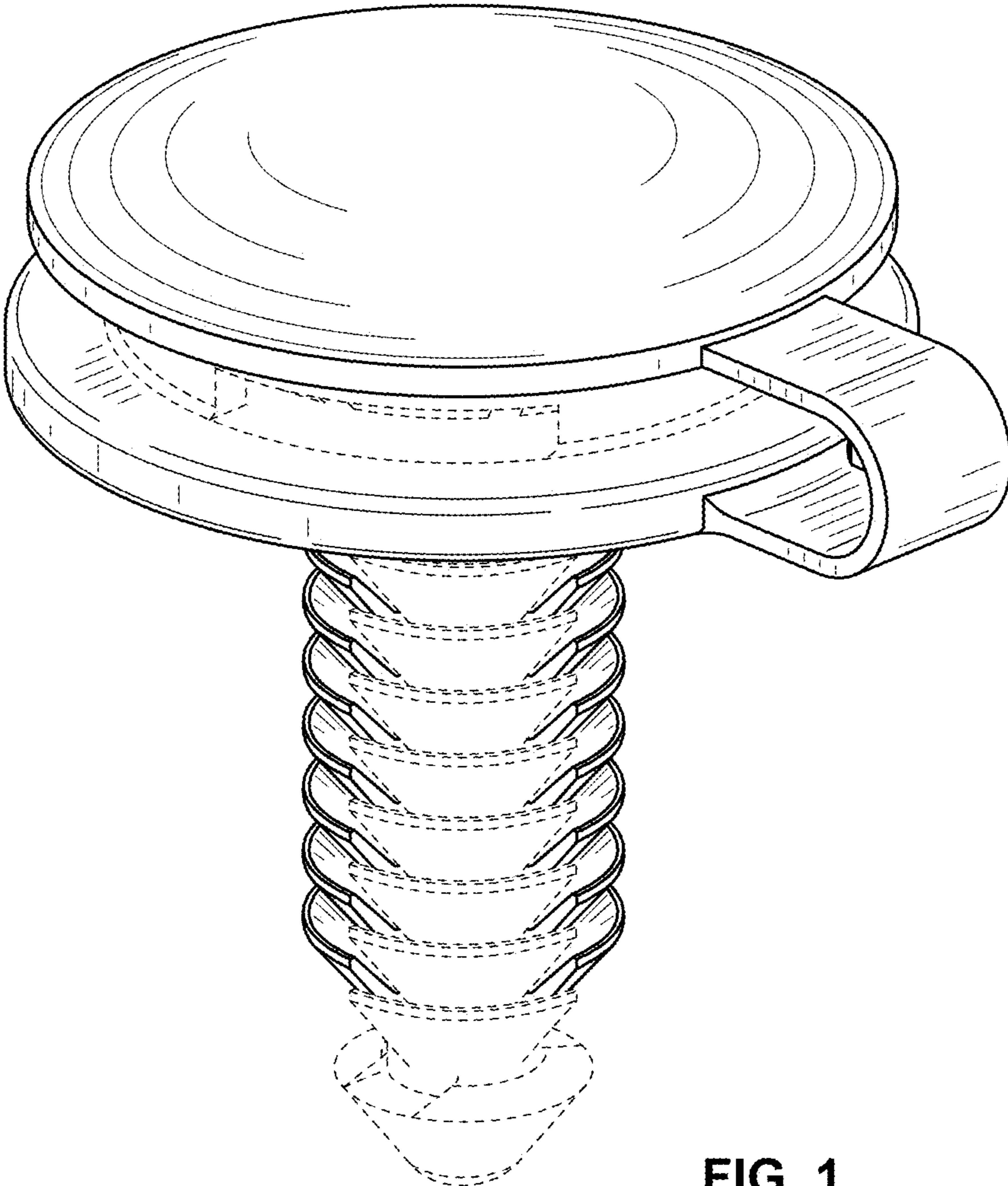


FIG. 1

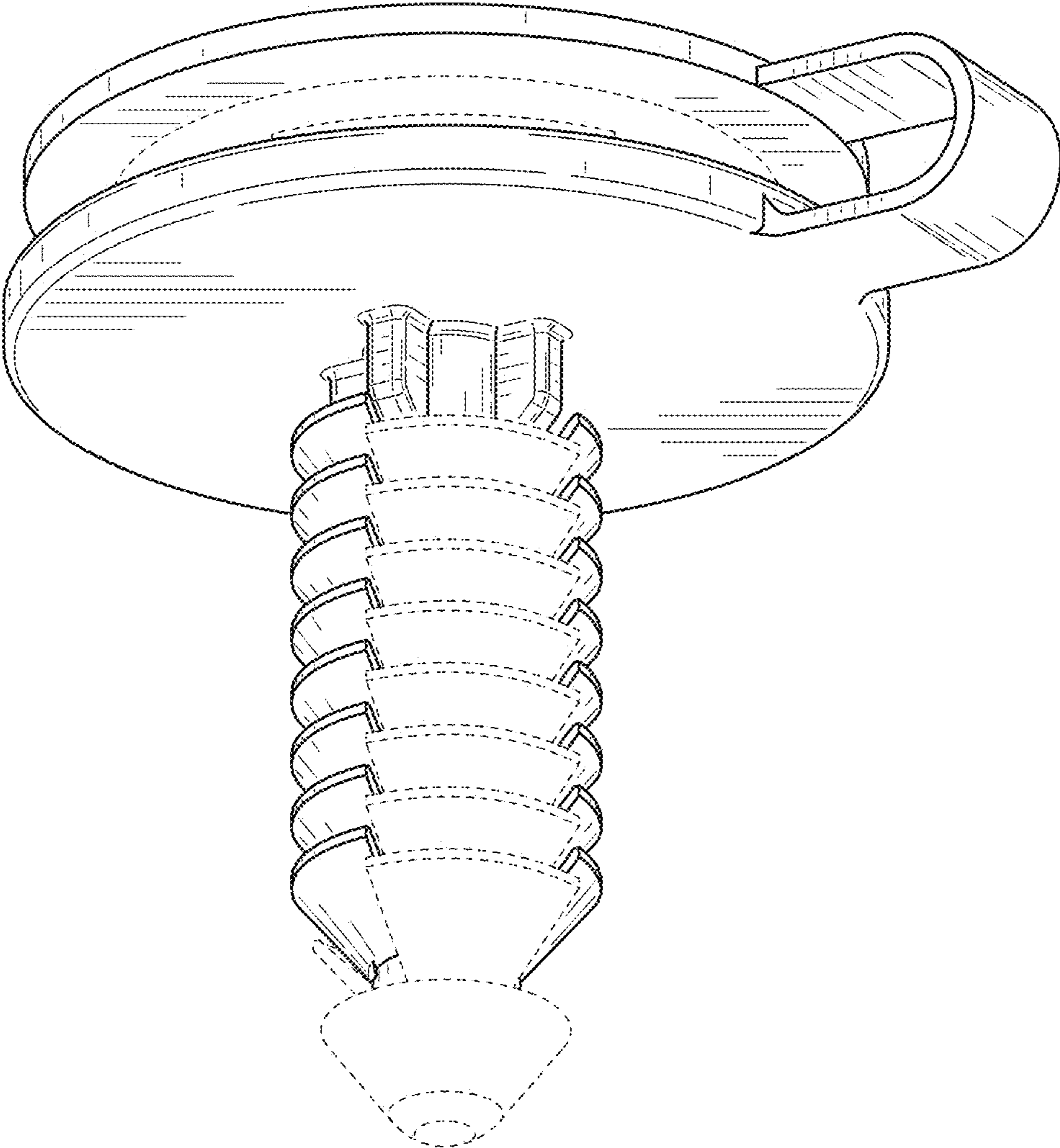


FIG. 2

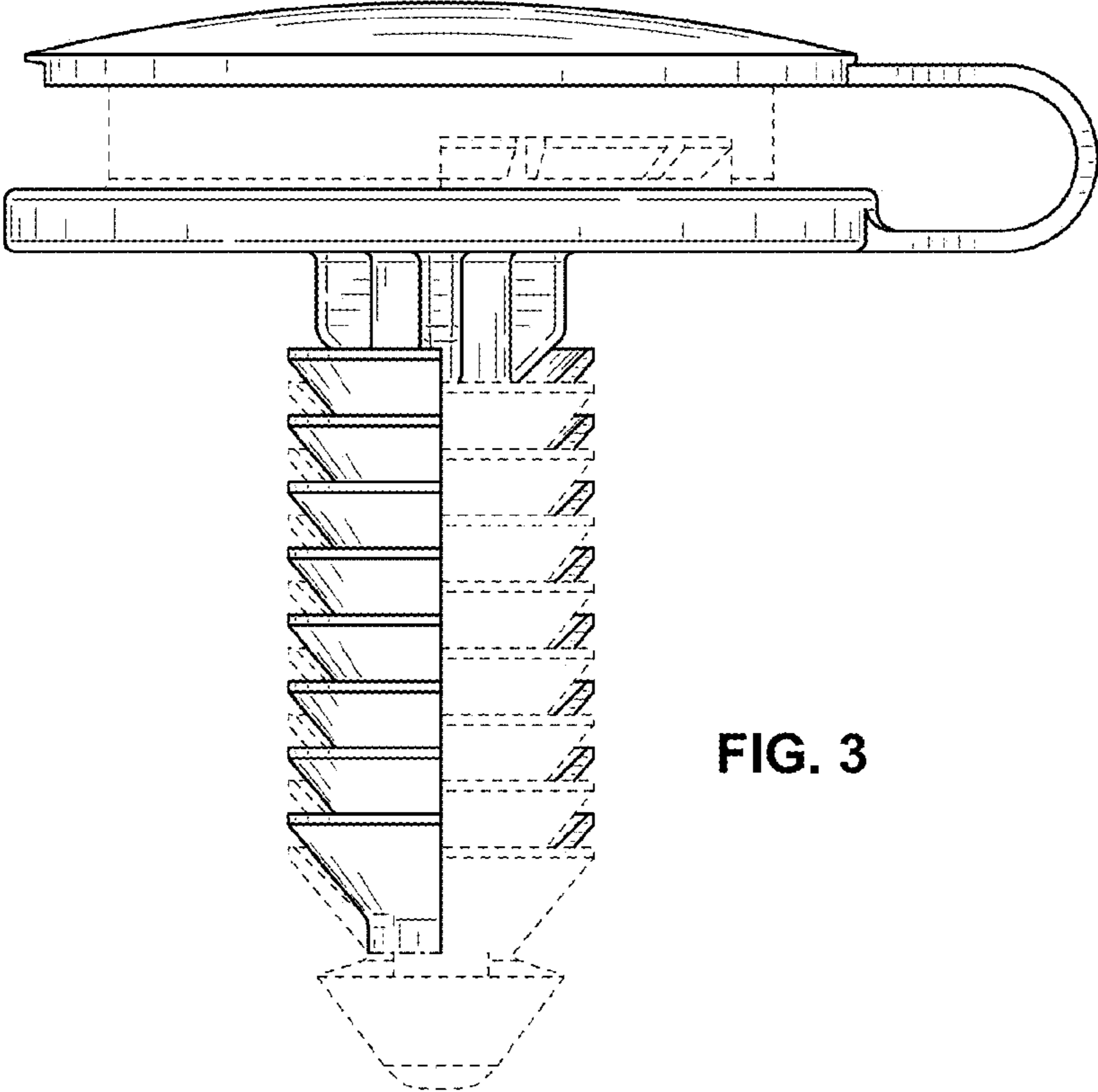


FIG. 3

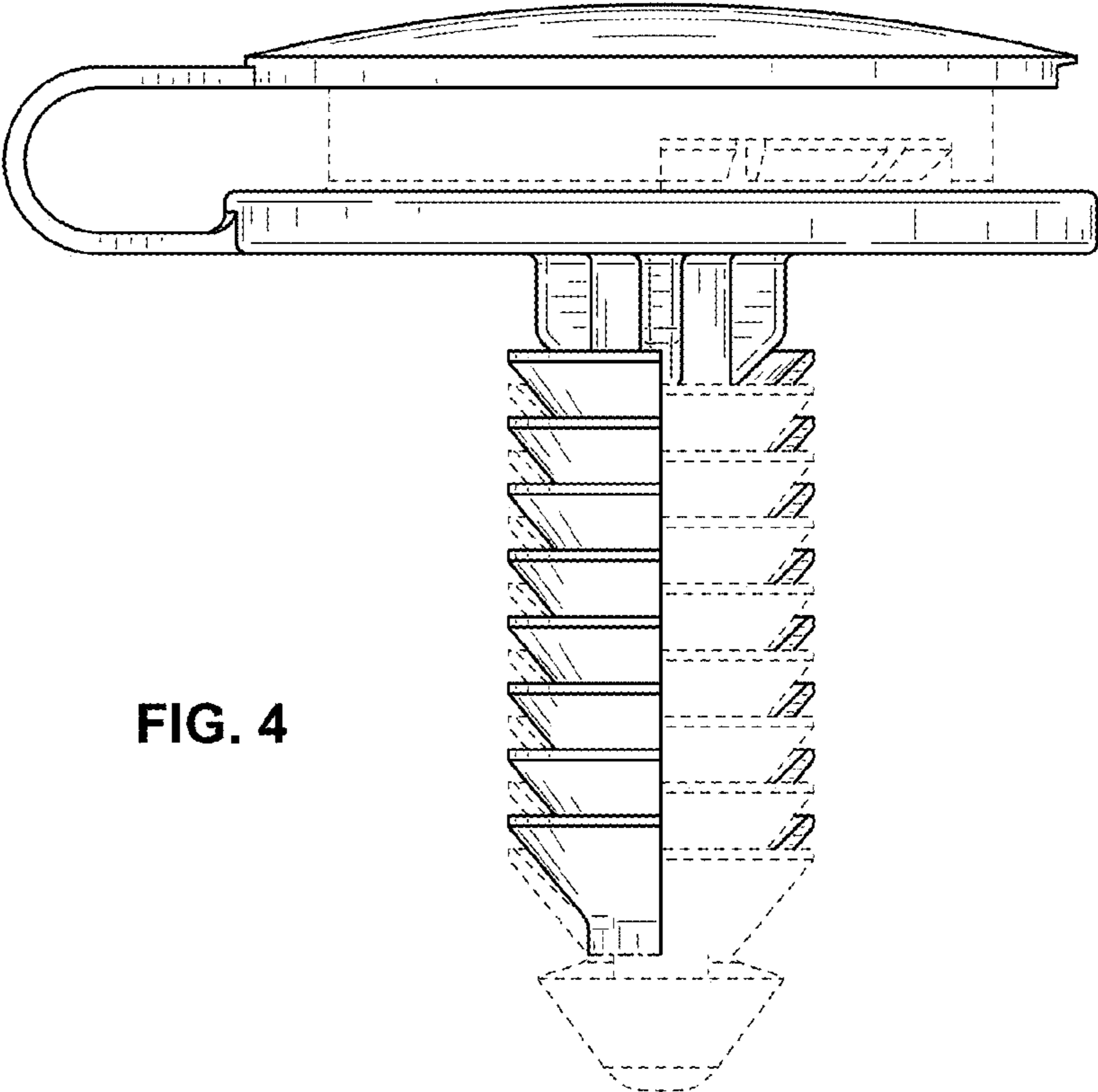


FIG. 4

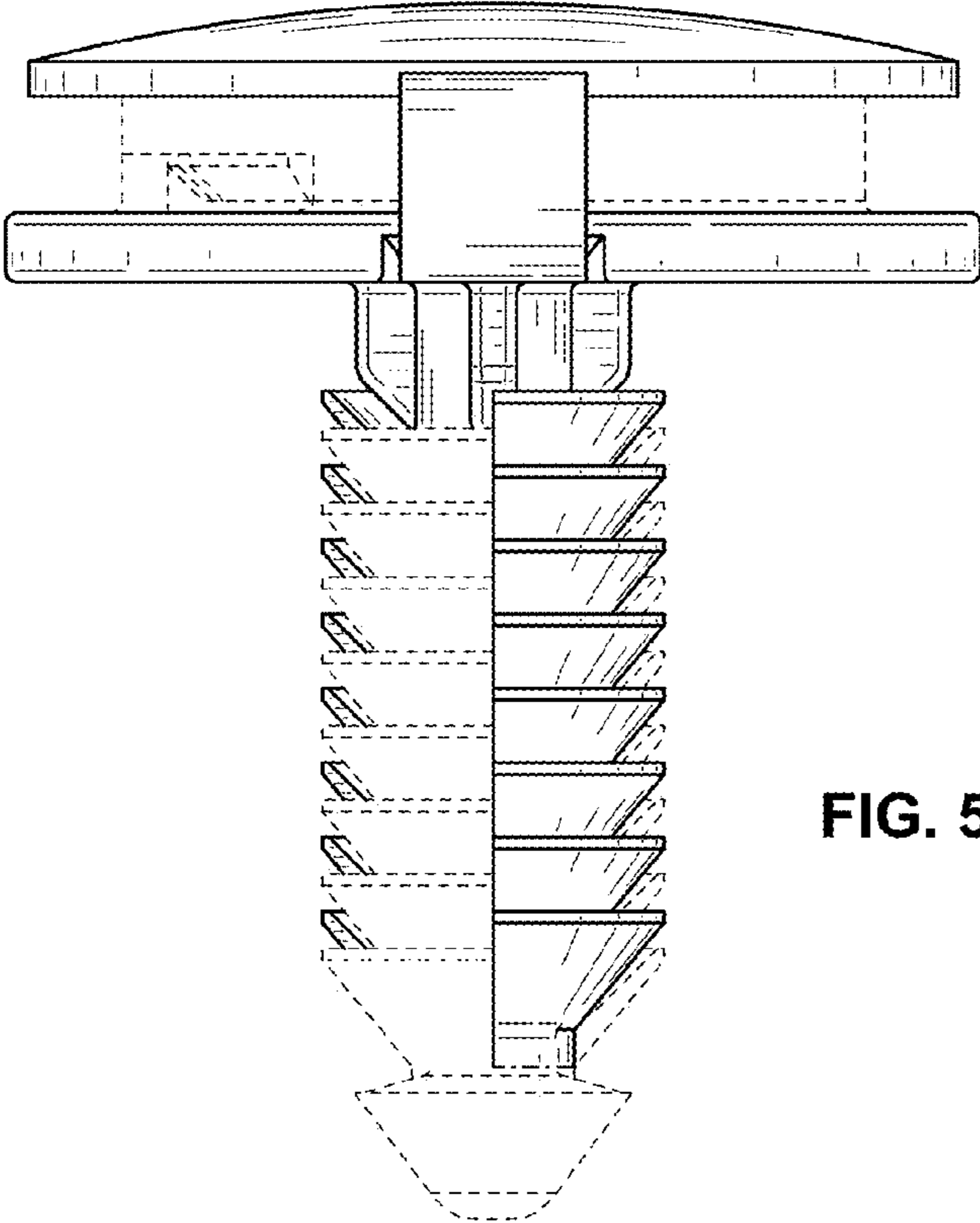


FIG. 5

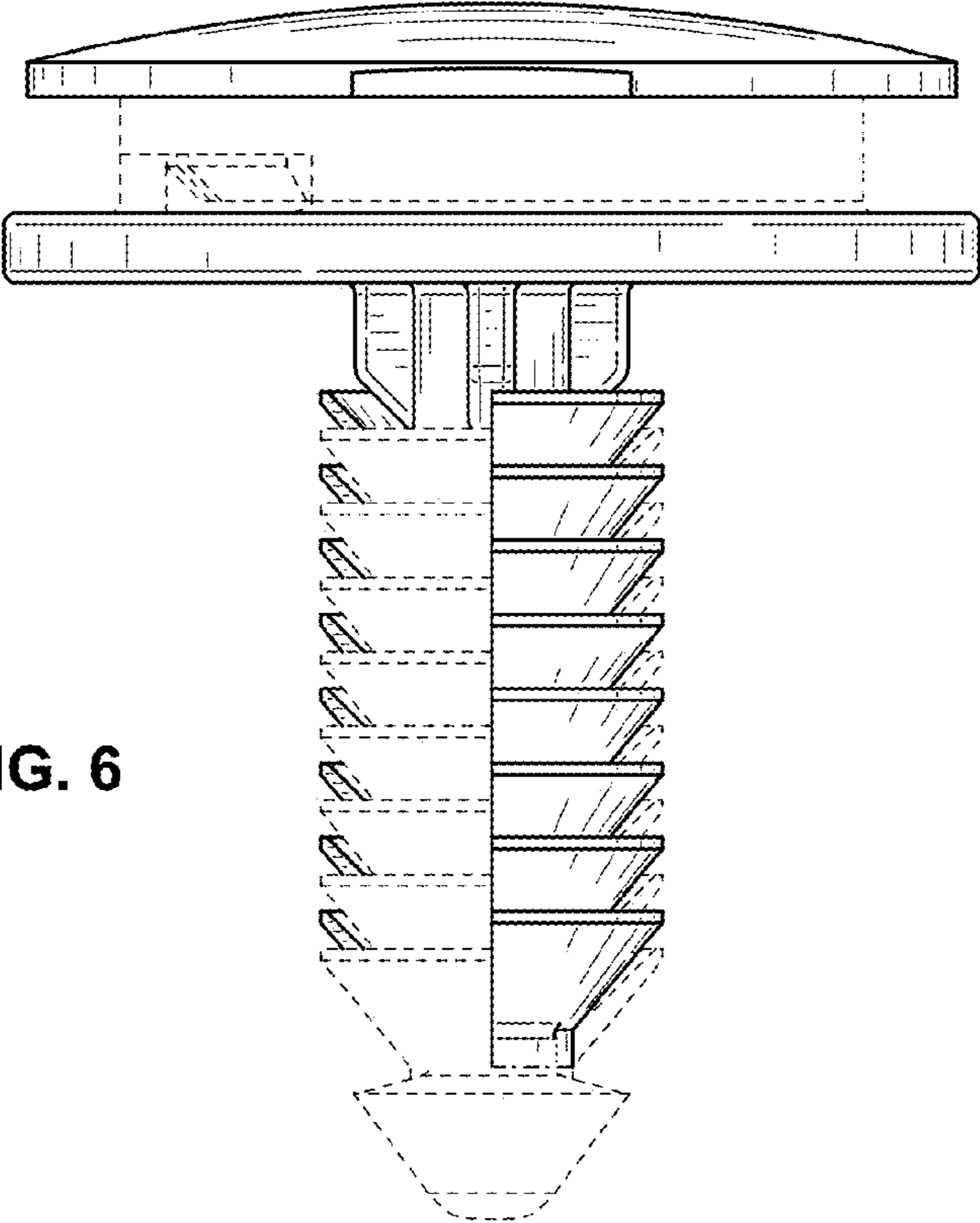


FIG. 6

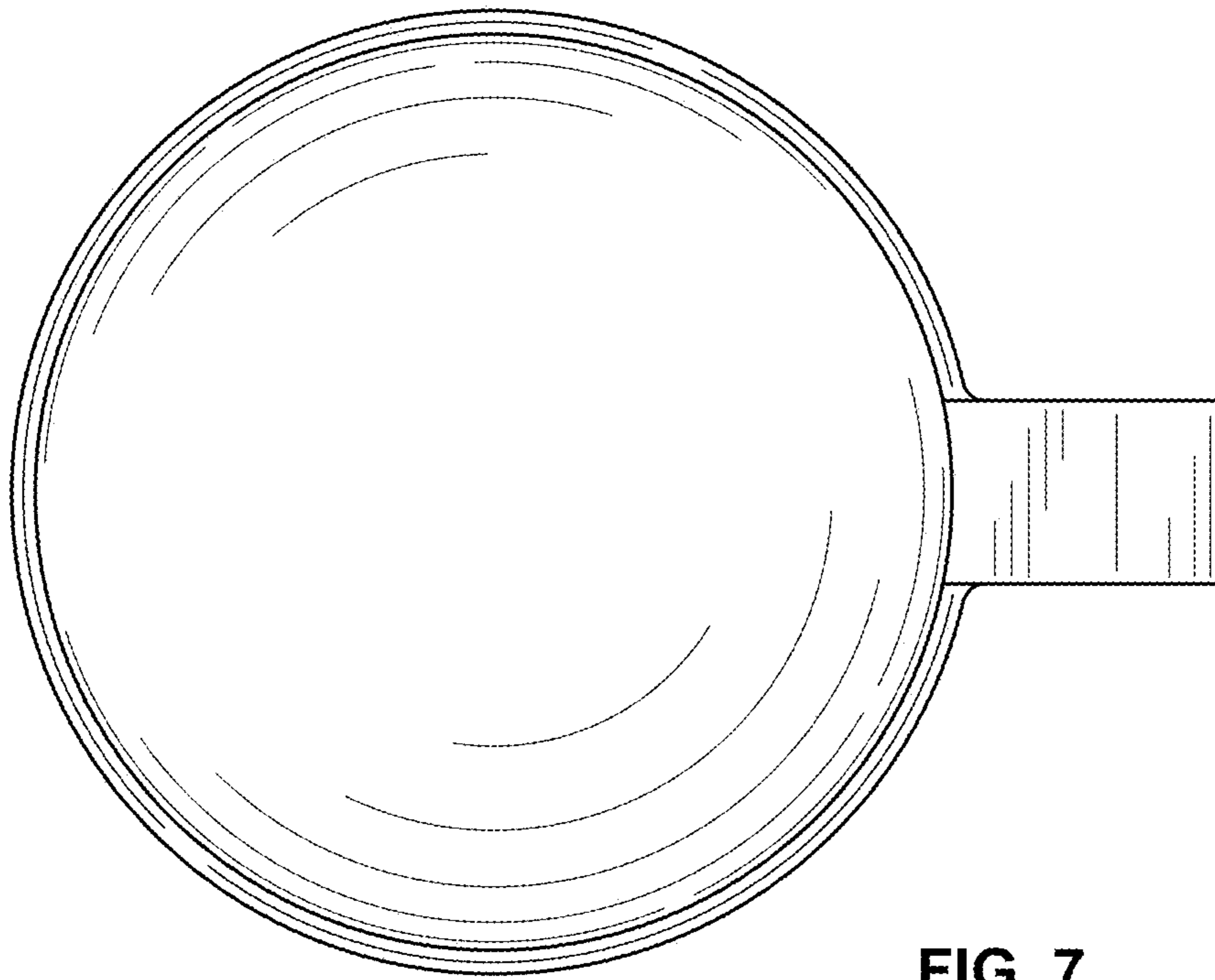


FIG. 7

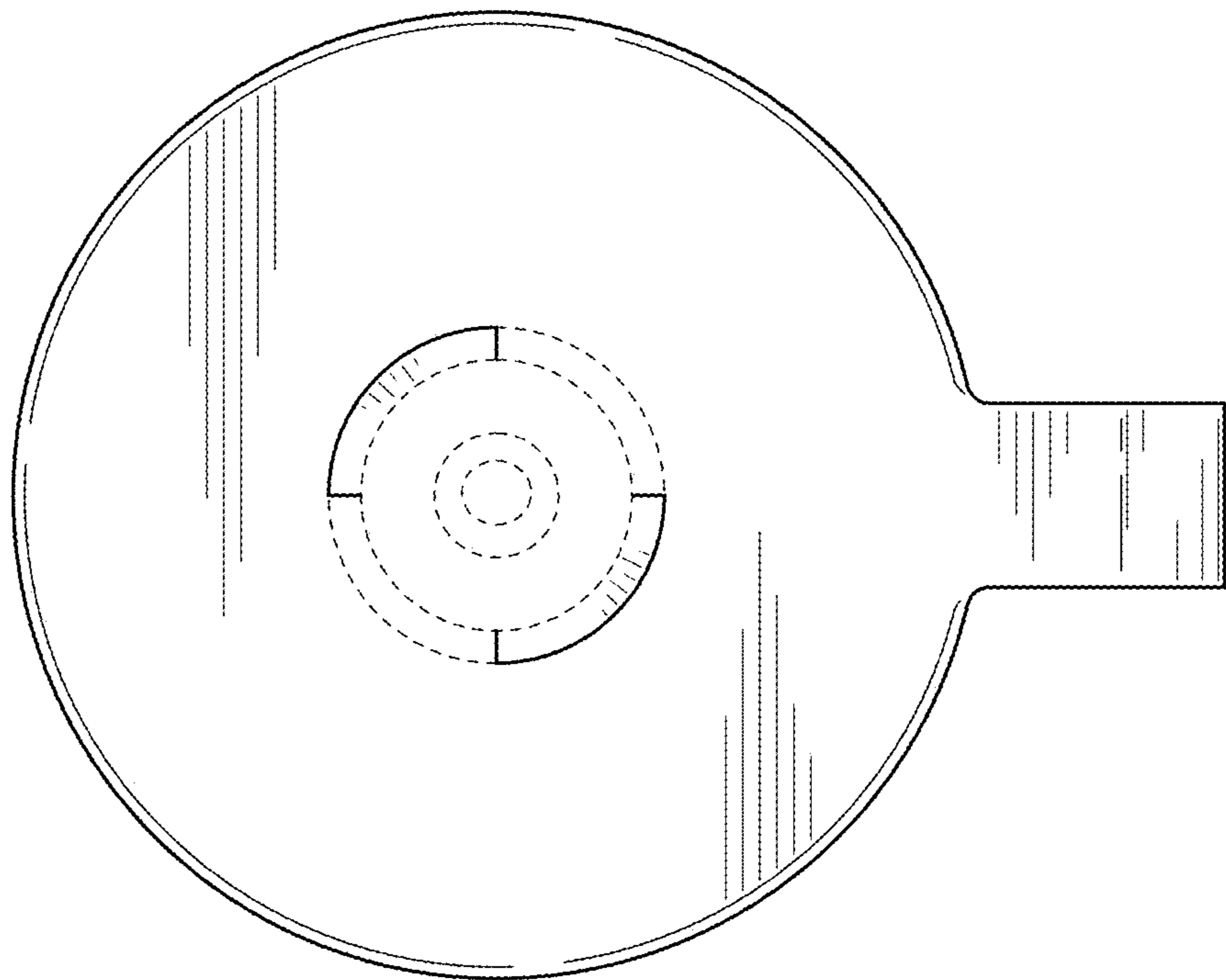


FIG. 8