



US00D891234S

(12) **United States Design Patent**
Logar et al.

(10) **Patent No.: US D891,234 S**

(45) **Date of Patent: ** *Jul. 28, 2020**

(54) **RECTANGULAR FURNITURE SLIDER**

(71) Applicant: **Waxman Consumer Products Group Inc.**, Bedford Heights, OH (US)

(72) Inventors: **Andrew B. Logar**, Willowick, OH (US); **Tianzhe Wang**, Shaker Heights, OH (US)

(73) Assignee: **Waxman Consumer Products Group Inc.**, Bedford Heights, OH (US)

(*) Notice: This patent is subject to a terminal disclaimer.

(**) Term: **15 Years**

(21) Appl. No.: **29/625,372**

(22) Filed: **Nov. 9, 2017**

(51) **LOC (12) Cl.** **08-05**

(52) **U.S. Cl.**

USPC **D8/374**

(58) **Field of Classification Search**

USPC D8/321, 359, 374, 375, 376, 377, 400, D8/61, 64, 70, 363, 381, 354, 349, 403, D8/57, 69, 310; D3/276; D6/587; D7/318, 393, 600, 622, 705, 624.1, 502, D7/553.1, 553.2, 553.4, 553.5, 553.6, D7/554.2, 554.3; D9/531; D14/238, 373, D14/448, 451, 452; D25/38.1, 41.1, 43, D25/48.2, 48.3

CPC Y10T 16/10; Y10T 16/104; Y10T 16/124; Y10T 16/1263; Y10T 16/127; Y10T 16/131; Y10T 16/14; Y10T 16/35; Y10T 16/3543; Y10T 16/37; Y10T 16/18; Y10T 16/1853; Y10T 16/1857; Y10T 16/186; Y10T 16/209; Y10T 16/1937; Y10T 16/376; Y10T 16/379; Y10T 16/387; Y10T 24/44573; Y10T 29/53543; Y10T 137/6903; Y10T 16/372; Y10T 16/375; Y10T 16/378; Y10T 16/3797; A47H 1/02; A47F 7/14; A47F 7/16; A47F 7/143; A47F 5/08; A47F 5/0807; A47F 5/0815;

A47F 5/0838; A47F 5/0846; A47F 5/0853; A47F 5/105; B60B 7/20; B60B 19/06; B60B 37/10; B60B 2200/43; B60B 33/02; B60B 11/00; B64F 1/32; B65G 1/04; B65G 17/20; H04N 1/00522; H04N 1/00533; H04N 1/00538; G06F 1/1637; G06F 1/1607; G06F 1/1647; G06F 1/1692; G06F 3/1446; G06F
(Continued)

(56) **References Cited**

U.S. PATENT DOCUMENTS

D44,952 S * 12/1913 Buser D8/374
RE30,962 E * 6/1982 Bridges B65D 81/3823
206/217

(Continued)

OTHER PUBLICATIONS

Valencia | Saucers, Flower pot saucer for Algreen's Valencia planters, posted unknown, [retrieved Sep. 25, 2019]. Retrieved from Internet, <URL: <http://www.algreenproducts.com/product/95#>>.*

(Continued)

Primary Examiner — Shannon W Morgan

Assistant Examiner — Kristin E Reed

(74) *Attorney, Agent, or Firm* — Fay Sharpe LLP

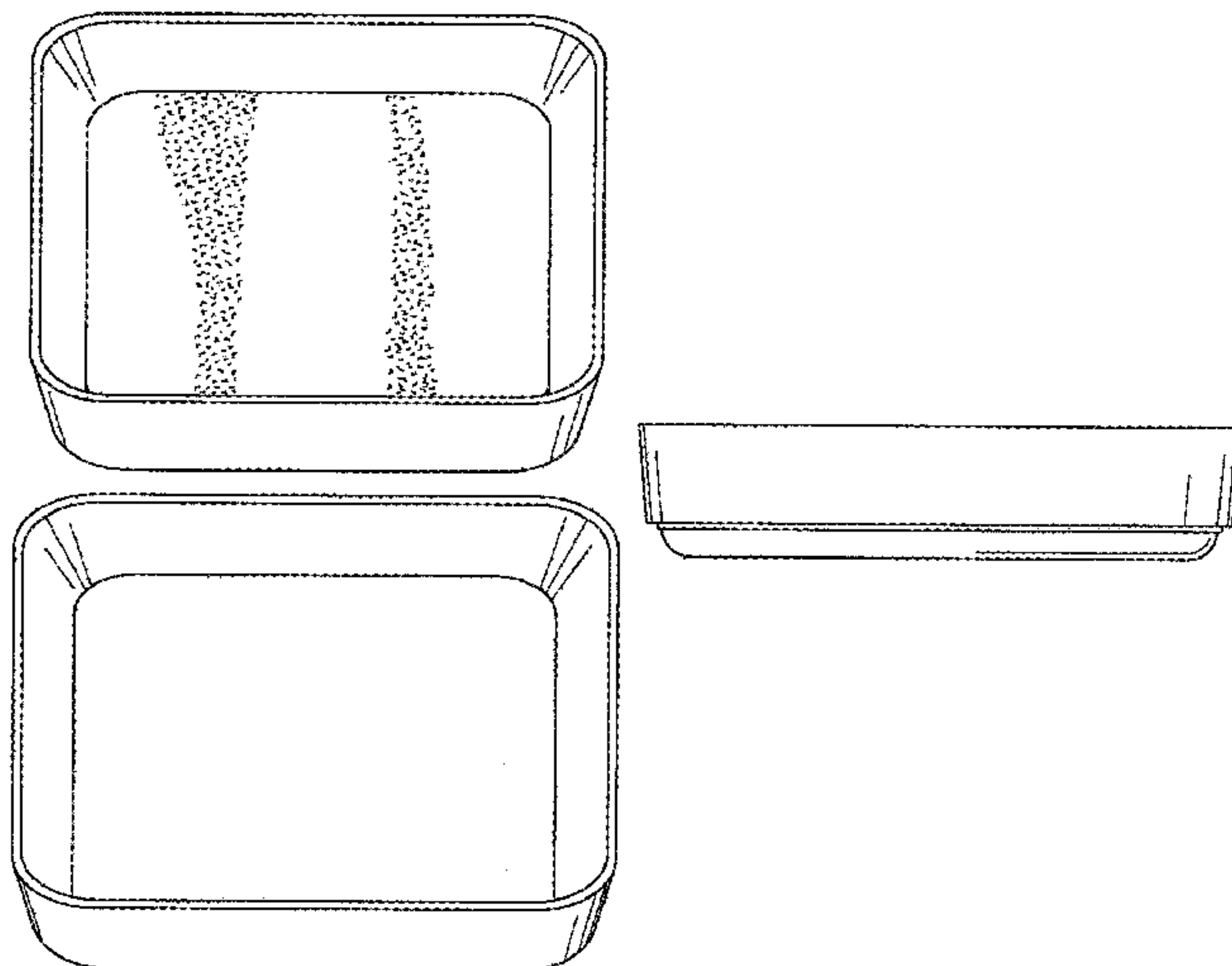
(57) **CLAIM**

The ornamental design for a rectangular furniture slider, as shown and described.

DESCRIPTION

FIG. 1 is an exploded view of a rectangular furniture slider showing our new design; FIG. 2 is a perspective view thereof; FIG. 3 is a top end view thereof; FIG. 4 is a side view thereof; and, FIG. 5 is a bottom view thereof.

1 Claim, 2 Drawing Sheets



(58) **Field of Classification Search**

CPC 3/147; G06F 3/1423; A47G 29/00; A47G
1/141; F16M 11/26

See application file for complete search history.

D775,890 S * 1/2017 Gallagher D7/397
D820,629 S * 6/2018 Lum D7/354
D840,052 S * 2/2019 Fawdington D24/227
D876,936 S * 3/2020 Logar D8/374

(56)

References Cited

U.S. PATENT DOCUMENTS

D289,246 S * 4/1987 Ritman D7/584
D334,513 S * 4/1993 DeGrow D7/391
D462,231 S * 9/2002 Kari D7/354
D529,755 S * 10/2006 Lobman D7/356
D574,179 S * 8/2008 DeLuca D7/354
D578,811 S * 10/2008 Gervasi D6/705
D585,722 S * 2/2009 Stuckey D8/313
D676,704 S * 2/2013 Henry D7/354
D687,679 S * 8/2013 Mikulka D7/553.2
D702,483 S * 4/2014 Green D7/354
D731,248 S * 6/2015 Breton D7/553.2

OTHER PUBLICATIONS

Sweese 241.101 Cork Coasters, posted as early as Nov. 5, 2016, [retrieved Sep. 25, 2019]. Retrieved from Internet, <URL: <https://www.amazon.com/dp/B07586TF7V> >.*

Stewart 4842014 13-15 cm Flower Pot Saucer—Orange/Terracotta (Pack of 5), posted Jul. 26, 2012, [retrieved Sep. 25, 2019]. Retrieved from Internet, <URL: <https://www.amazon.co.uk/Stewart-4842014-13-Flower-Terracotta/dp/B01CU2956A> >.*

Prosource FE-50840-PS Caster Furniture Glide, 2 in Dia, Round/Cup, Felt, posted Sep. 29, 2016, [retrieved Sep. 25, 2019]. Retrieved from Internet, <URL: <https://www.amazon.com/PROSOURCE-FE-50840-PS-Clear-Felt-Caster/dp/B01M1VY0TB> >.*

* cited by examiner

FIG. 1

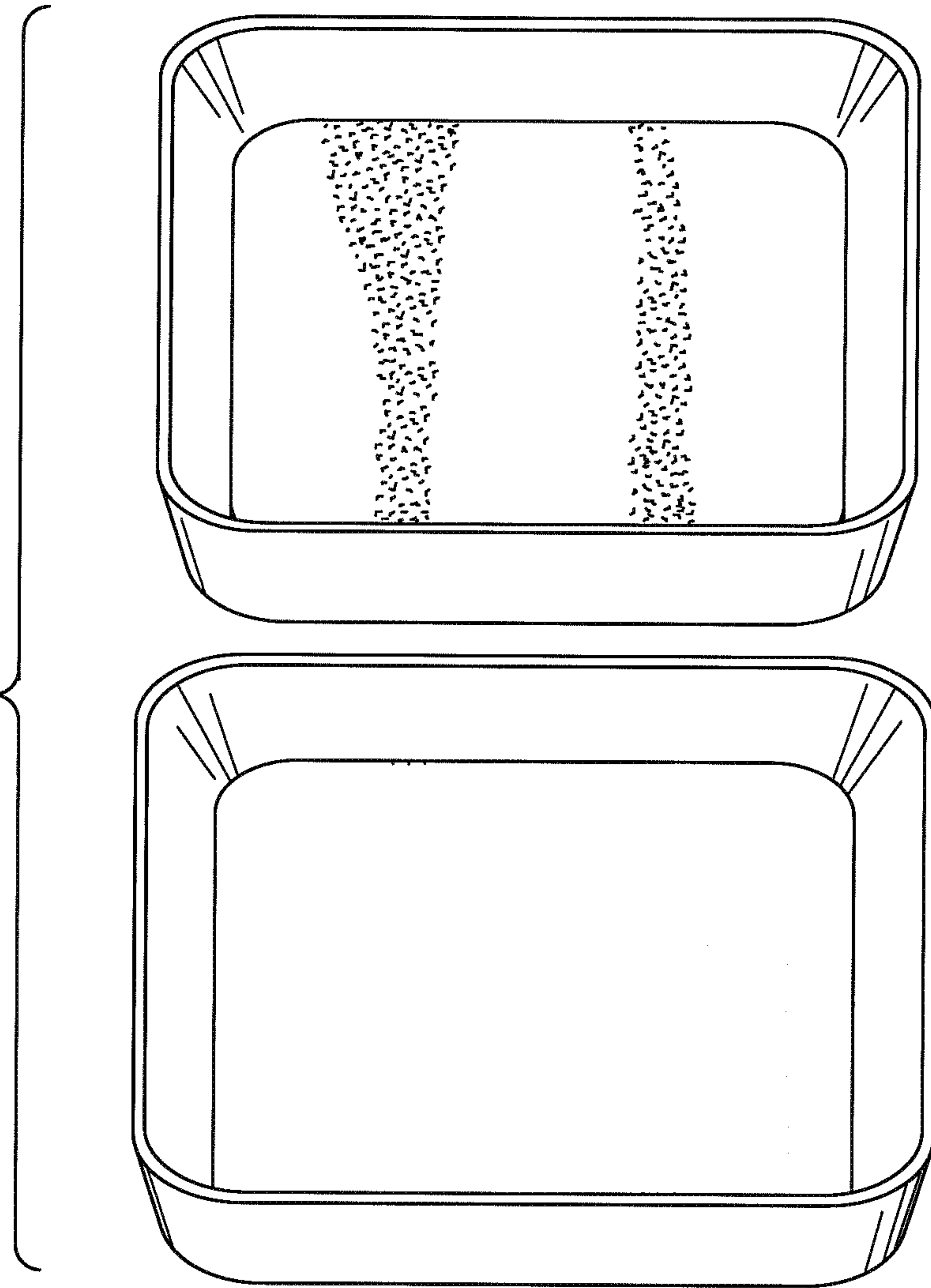


FIG. 2

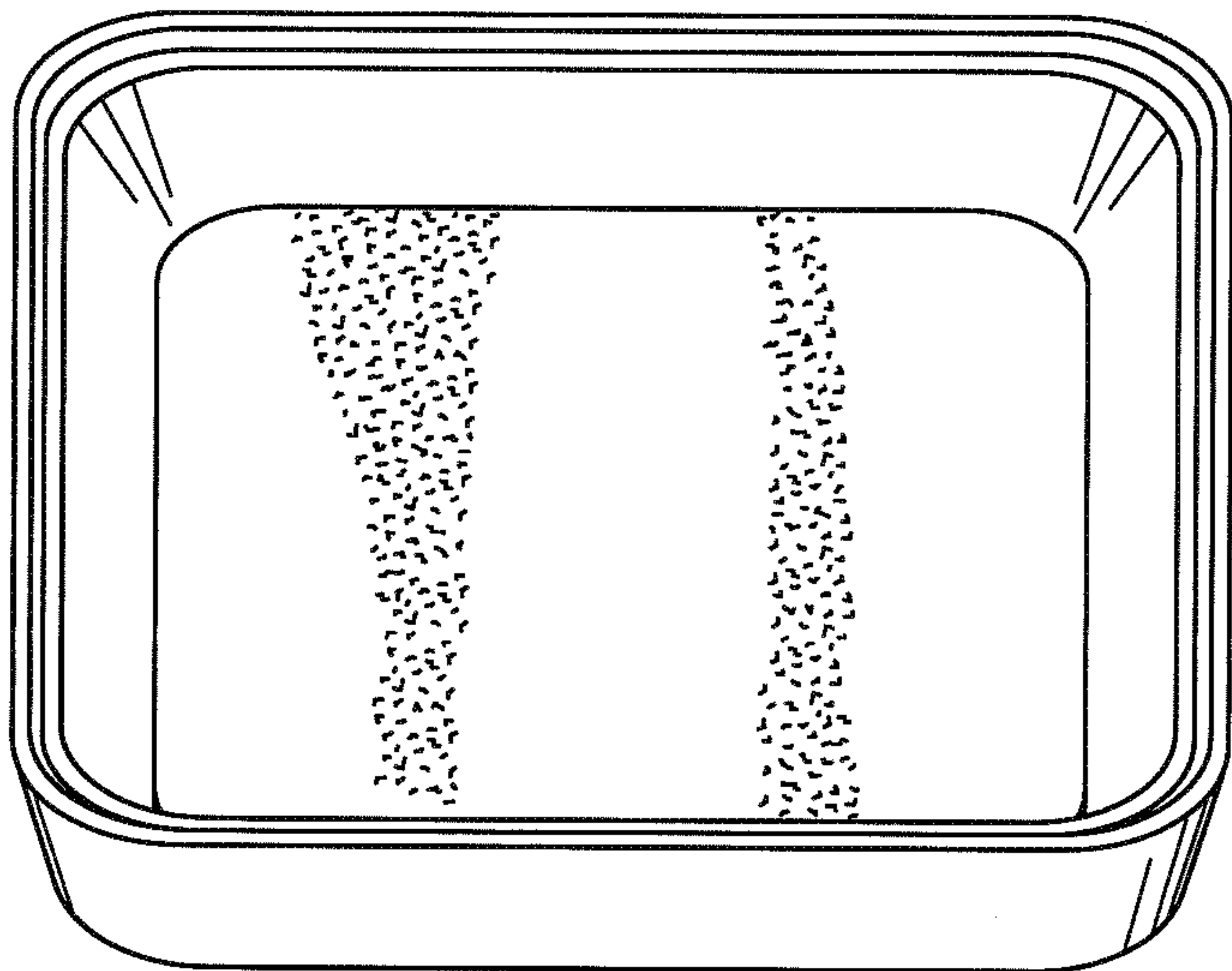


FIG. 3

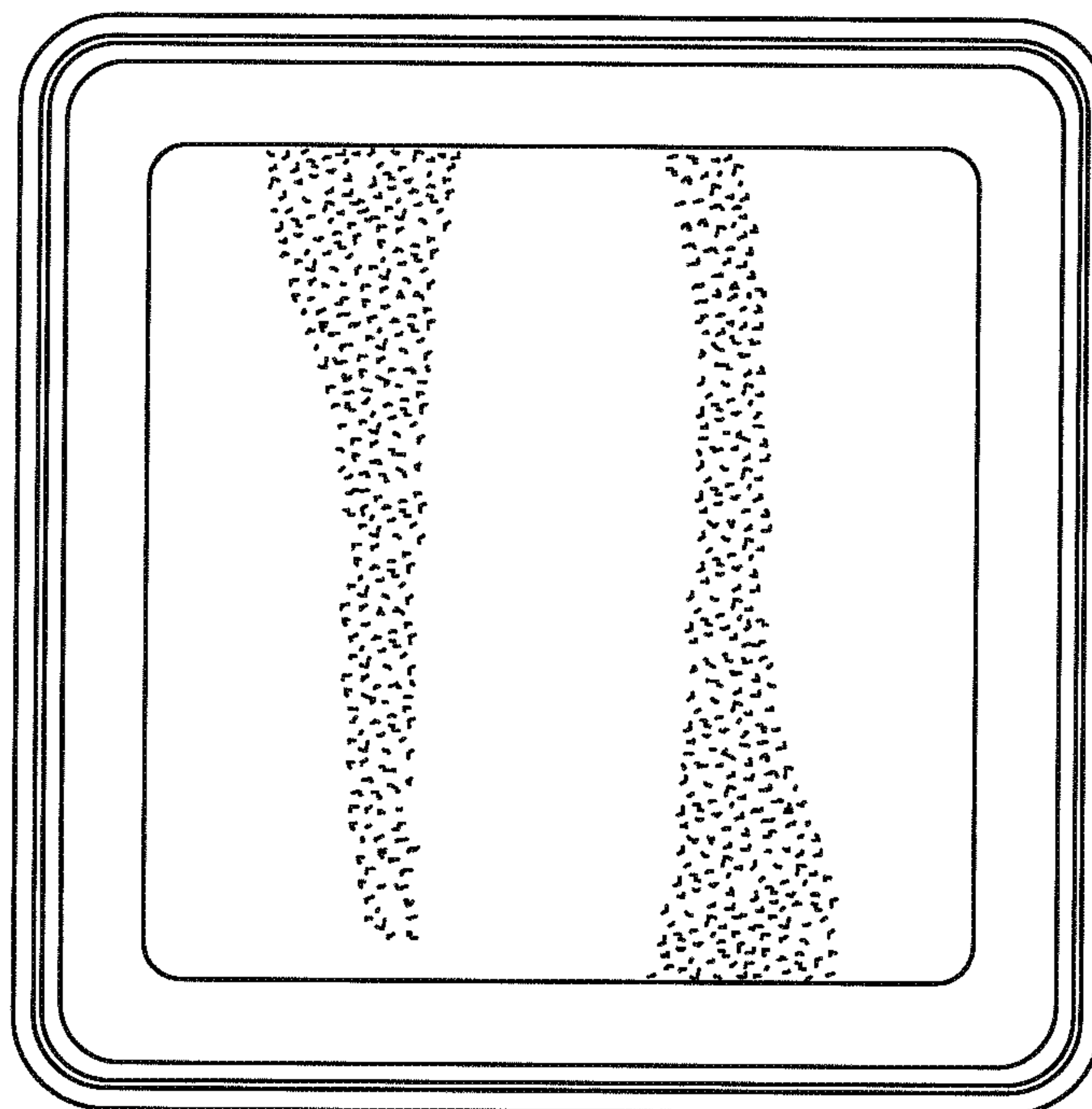


FIG. 4

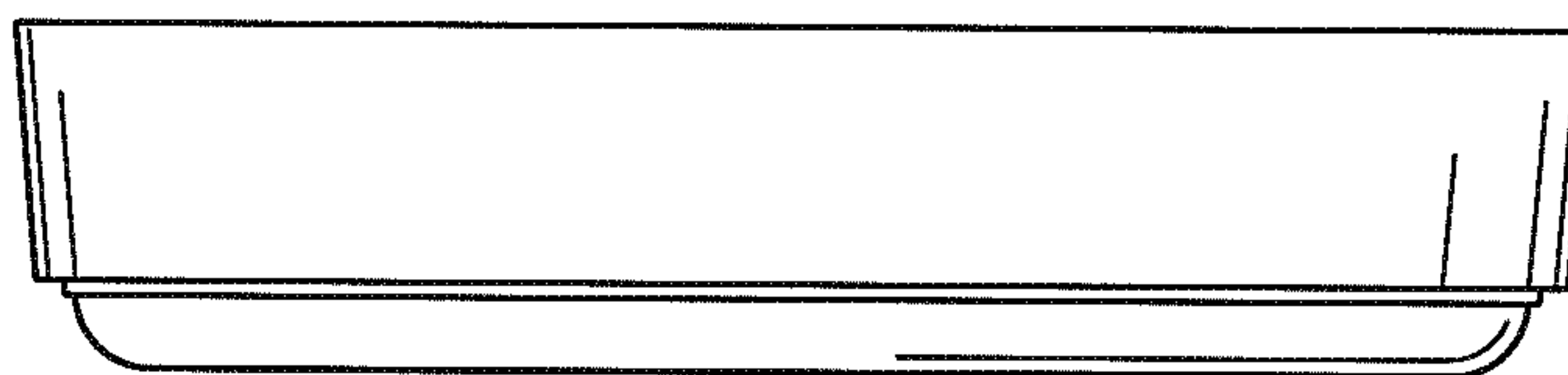


FIG. 5

