

US00D891231S

(12) **United States Design Patent**
Gilner et al.

(10) **Patent No.:** **US D891,231 S**
(45) **Date of Patent:** **** Jul. 28, 2020**

(54) **SLAB BOLSTER ASSEMBLY**

8,616,108 B2 12/2013 Lukas et al.
D732,928 S * 6/2015 Recker D8/354
D733,529 S * 7/2015 Recker D8/354

(71) Applicant: **Inland Concrete Products, Inc.**,
Fontana, CA (US)

(Continued)

(72) Inventors: **John H. Gilner**, Santa Barbara, CA
(US); **G. Douglas Hartzheim**,
Bozeman, MT (US); **Steven R. Wilbur**,
Yucaipa, CA (US)

OTHER PUBLICATIONS

Form Guard Slab Bolster, posted at southcoaststeel.com, posting
date not given, [online], [site visited May 28, 2020]. Available from
Internet, URL: <https://southcoaststeel.com/product/form-guard-slab-bolster/> (Year: 2020).*

(Continued)

(73) Assignee: **Inland Concrete Products, Inc.**,
Fontana, CA (US)

(**) Term: **15 Years**

Primary Examiner — Michael C Stout
Assistant Examiner — Maria J Edwards

(21) Appl. No.: **29/671,780**

(74) *Attorney, Agent, or Firm* — Klein, O'Neill & Singh,
LLP

(22) Filed: **Nov. 29, 2018**

(51) **LOC (12) Cl.** **08-05**

(52) **U.S. Cl.**
USPC **D8/354**

(58) **Field of Classification Search**
USPC D8/354
CPC . E04C 5/20; E04C 5/168; A47B 45/00; F16B
2/005
See application file for complete search history.

(57) **CLAIM**

The ornamental design for a slab bolster assembly, as shown.

DESCRIPTION

FIG. 1 is a top perspective view of a slab bolster assembly,
in accordance with our new design.

FIG. 2 is a bottom perspective view of the slab bolster
assembly shown in FIG. 1.

FIG. 3 is a top plan view of the slab bolster assembly shown
in FIG. 1.

FIG. 4 is a bottom plan view of the slab bolster assembly
shown in FIG. 1.

FIG. 5 is a side elevation view of the slab bolster assembly,
taken from the left side of FIG. 1.

FIG. 6 is a side elevation view of the slab bolster assembly,
taken from the right side of FIG. 1.

FIG. 7 is a rear elevation view of the slab bolster assembly
shown in FIG. 1; and,

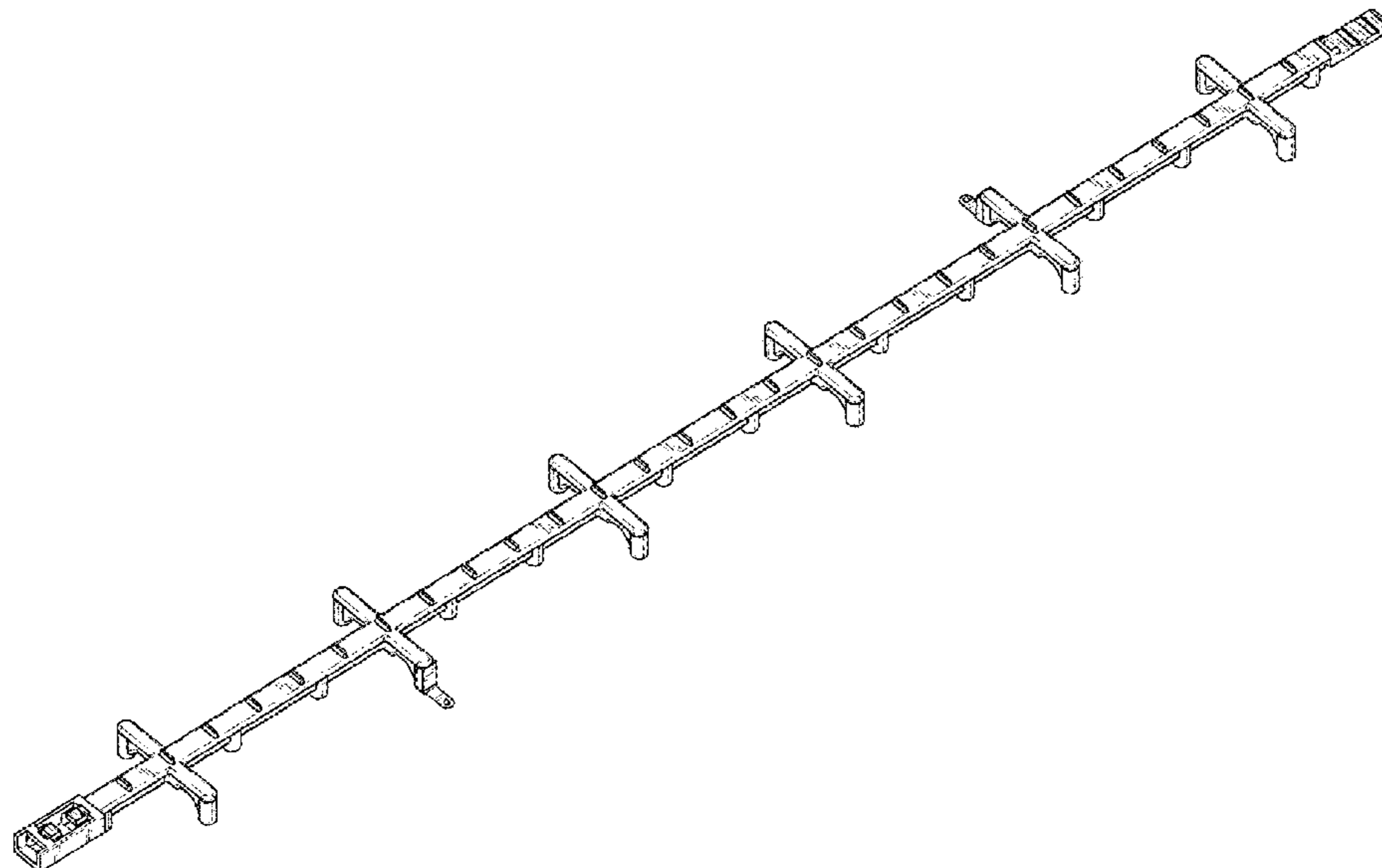
FIG. 8 is a front elevation view of the slab bolster assembly
shown in FIG. 1.

(56) **References Cited**

U.S. PATENT DOCUMENTS

| | | | | |
|-----------|-----|---------|---------------------|--------|
| 3,529,392 | A | 9/1970 | Admas | |
| 3,839,838 | A | 10/1974 | Vigh | |
| 3,844,000 | A | 10/1974 | Hedu | |
| 4,942,714 | A | 7/1990 | Langley, Jr. et al. | |
| 5,664,390 | A | 9/1997 | Sorkin | |
| D393,997 | S | 5/1998 | Hartzheim | |
| 6,722,097 | B2 | 4/2004 | Haslem et al. | |
| 6,735,918 | B2 | 5/2004 | Haslem et al. | |
| 6,772,571 | B1 | 8/2004 | Sorkin | |
| 6,948,291 | B2 | 9/2005 | Haslem et al. | |
| D571,189 | S | 6/2008 | Verelli et al. | |
| D600,097 | S * | 9/2009 | Erickson | D8/354 |
| 7,775,010 | B2 | 8/2010 | Lee et al. | |

1 Claim, 4 Drawing Sheets



(56)

References Cited

U.S. PATENT DOCUMENTS

10,106,985 B1 10/2018 Waldner et al.
10,604,933 B1 * 3/2020 Gilner E04C 5/163
2008/0184656 A1 8/2008 Lee et al.
2014/0318062 A1 10/2014 Richardson et al.

OTHER PUBLICATIONS

Slab Bolster, posted at inlandconcreteproducts.com, posting date not given, [online], [site visited May 28, 2020]. Available from Internet, URL: <https://inlandconcreteproducts.com/products/slab-bolster/> (Year: 2020).*

Slab Bolster Speed E Click, posted at shanghaiualincoltd.com, posting date not given, [online], [site visited May 28, 2020]. Available from Internet, URL: <https://www.shanghaiualincoltd.com/slab-bolster-speed-e-click> (Year: 2020).*

X Tuff Slab Bolster, posted at meadowburke.com, posting date not given, [online], [site visited May 28, 2020]. Available from Internet, URL: <https://meadowburke.com/product/x-tuff-slab-bolster/> (Year: 2020).*

Non-Final Office Action on co-pending U.S. Appl. No. 16/204,861 dated Jun. 24, 2019.

* cited by examiner

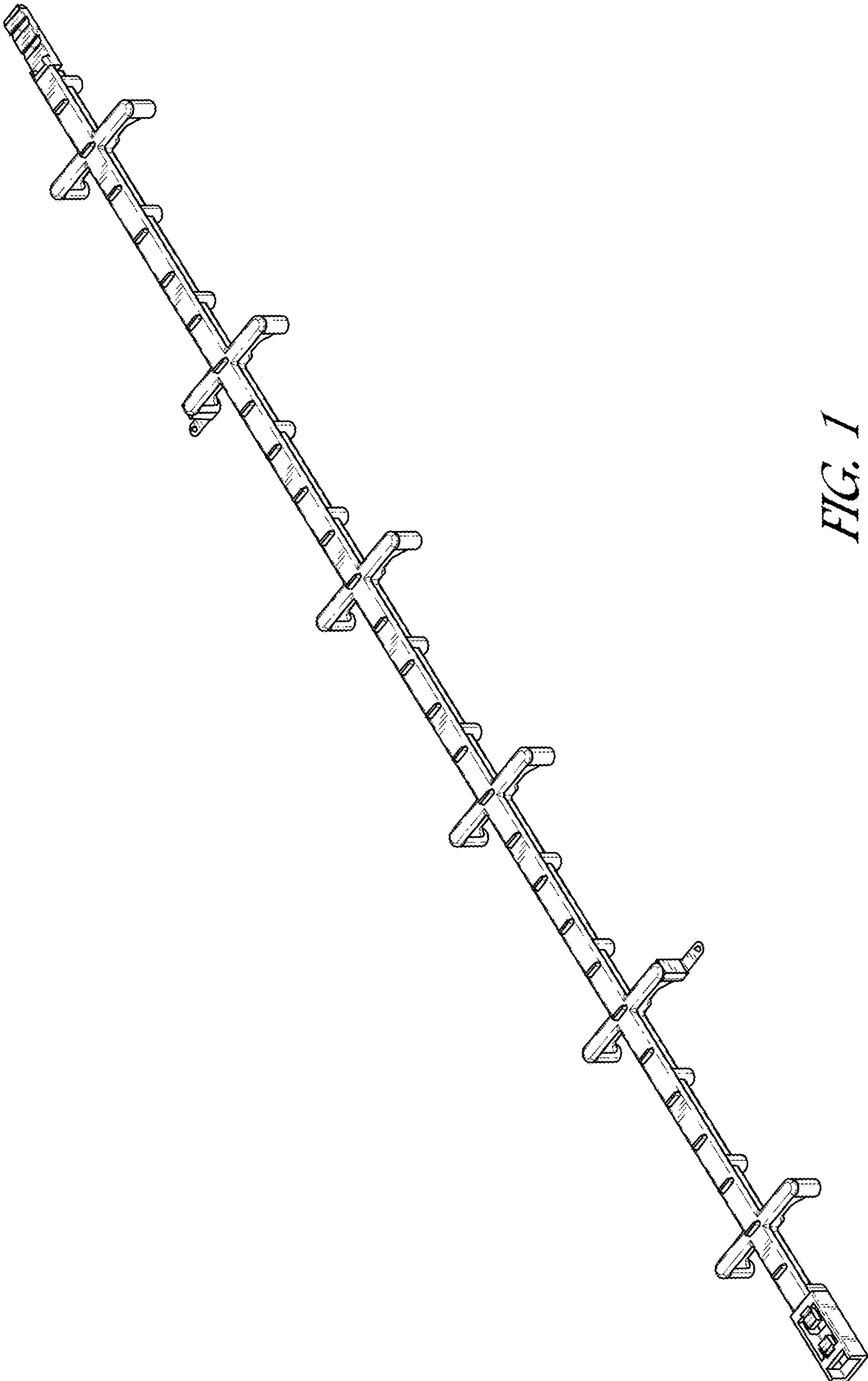


FIG. 1

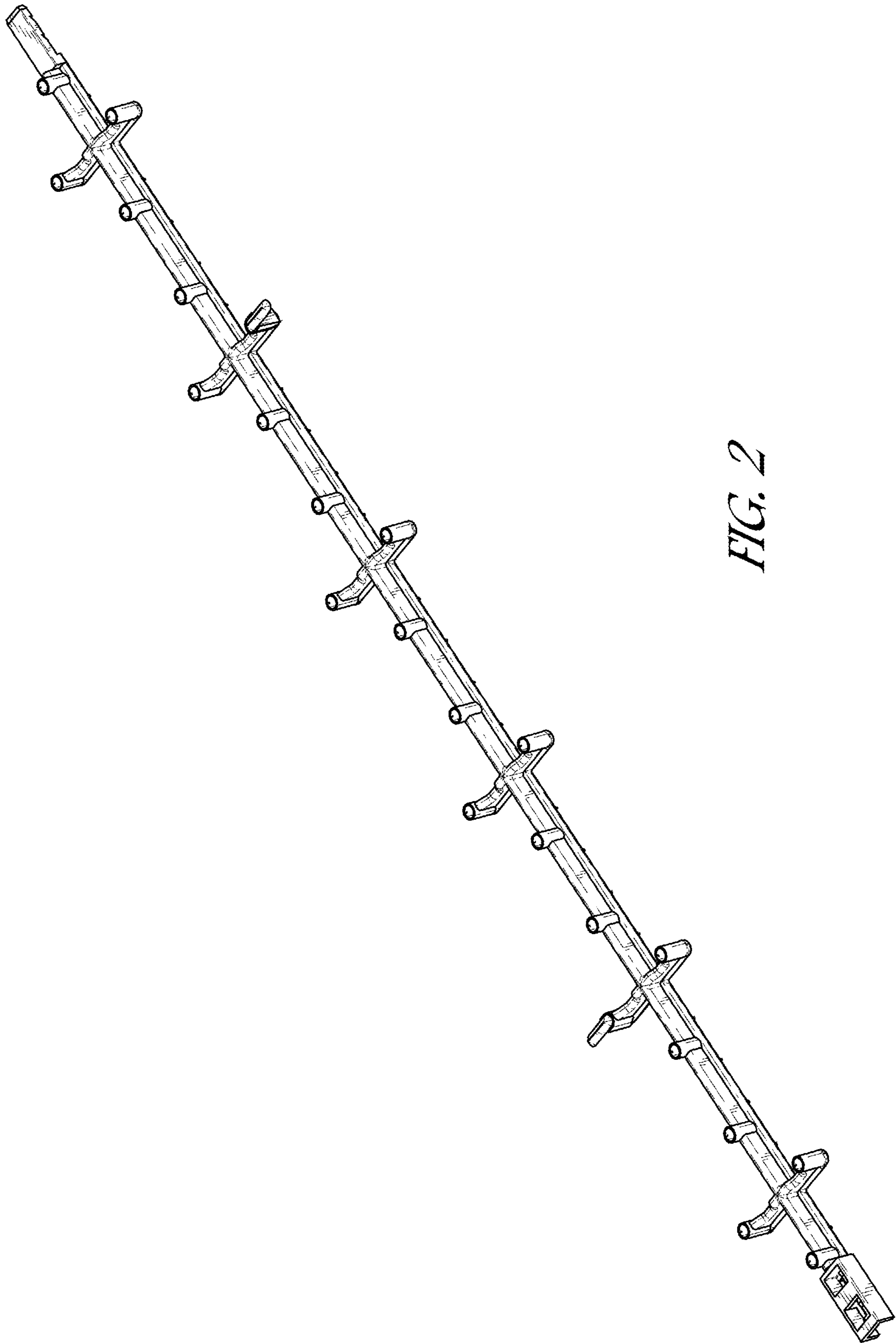


FIG. 2

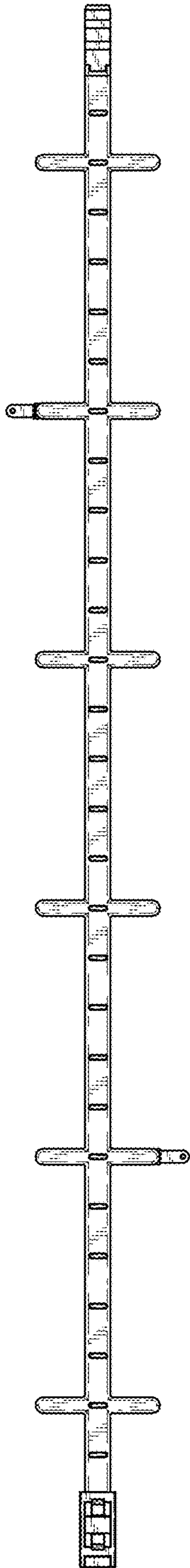


FIG. 3

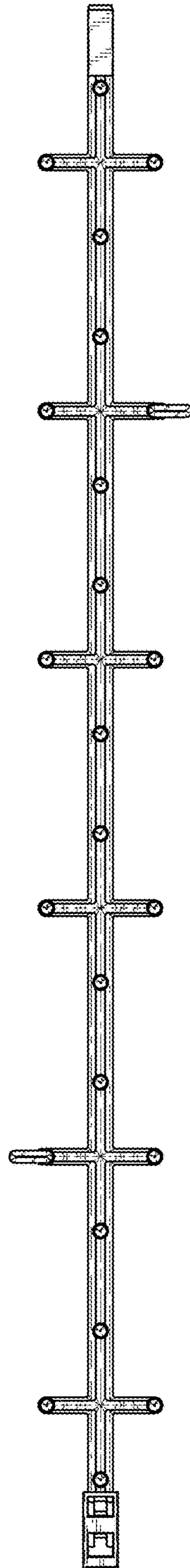


FIG. 4



FIG. 5



FIG. 6

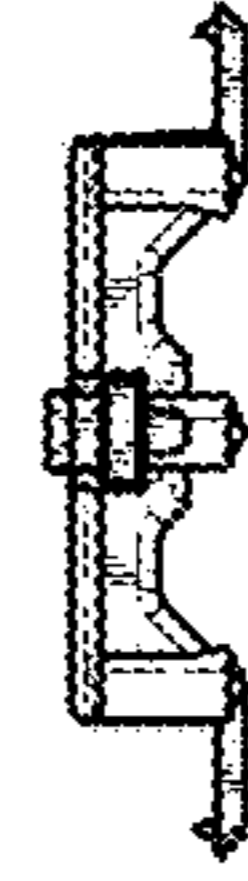


FIG. 7

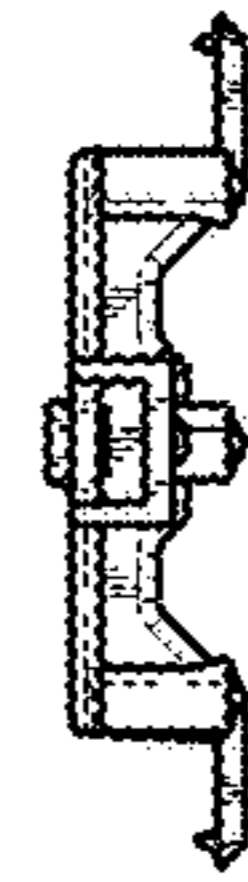


FIG. 8