



US00D891230S

(12) **United States Design Patent**
Fox

(10) **Patent No.:** **US D891,230 S**
(45) **Date of Patent:** **** Jul. 28, 2020**

(54) **RAFTER BRACKET**

(74) *Attorney, Agent, or Firm* — Shane Cortesi

(71) Applicant: **FOX HARDWOOD LUMBER COMPANY**, Franklin, TN (US)

(57) **CLAIM**

The ornamental design for a rafter bracket, as shown and described.

(72) Inventor: **Samuel Fox**, Franklin, TN (US)

DESCRIPTION

(73) Assignee: **FOX HARDWOOD LUMBER COMPANY, L.L.C.**, Franklin, TN (US)

(**) Term: **15 Years**

(21) Appl. No.: **29/661,303**

(22) Filed: **Aug. 27, 2018**

(51) **LOC (12) Cl.** **08-05**

(52) **U.S. Cl.**
USPC **D8/354**

(58) **Field of Classification Search**
USPC D8/349, 353, 354, 366, 373; D25/61, D25/127, 133, 134, 136

(Continued)

(56) **References Cited**

U.S. PATENT DOCUMENTS

1,848,085 A * 3/1932 Eisenschmidt E04G 7/02
403/187
3,727,358 A * 4/1973 Howell E02D 27/02
52/169.1

(Continued)

FOREIGN PATENT DOCUMENTS

KR 300919764.0000 * 8/2017
KR 300919766.0000 * 8/2017

(Continued)

OTHER PUBLICATIONS

U.S. Appl. No. 29/639,284, filed Mar. 5, 2018.
U.S. Appl. No. 29/661,306, filed Aug. 27, 2018.
U.S. Appl. No. 16/113,022, filed Aug. 27, 2018.

Primary Examiner — Leanne Was-Englehart

(Continued)

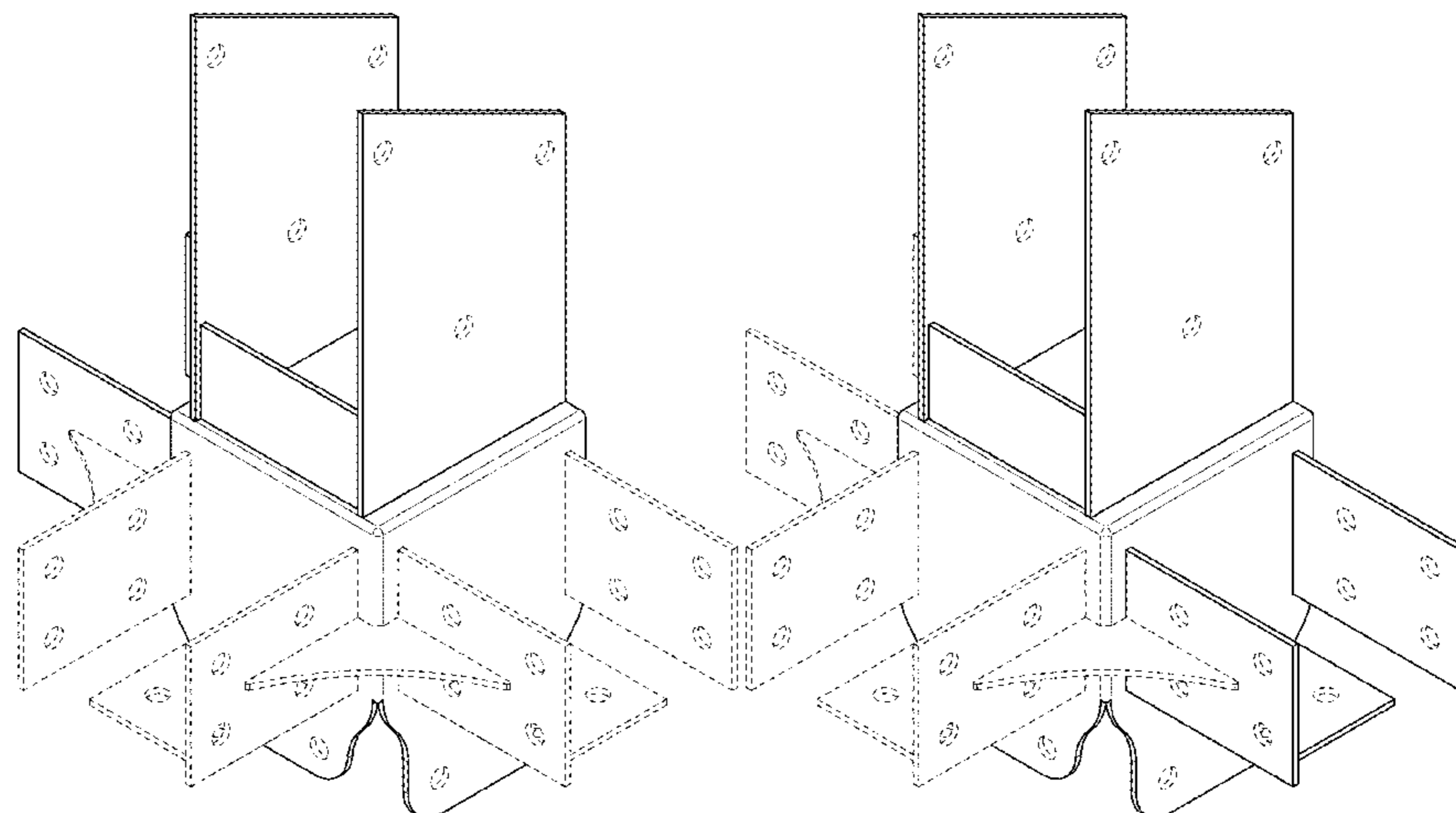


FIG. 19 is a left side elevation view showing the rafter bracket of FIG. 12.

FIG. 20 is a top plan view showing the rafter bracket of FIG. 12.

FIG. 21 is a bottom plan view showing the rafter bracket of FIG. 12; and,

FIG. 22 is a rear perspective view of the rafter bracket of FIG. 12.

The broken lines shown in the Figures depict environmental subject matter only and are not part of the claimed design.

1 Claim, 20 Drawing Sheets

(58) Field of Classification Search

CPC B60P 7/0892; E04B 1/2608; E04B 7/063;
E04B 2001/2644

See application file for complete search history.

(56) References Cited

U.S. PATENT DOCUMENTS

5,488,810 A * 2/1996 Horton E04B 1/2608
403/178
D492,889 S * 7/2004 Craine D8/354
D511,086 S * 11/2005 Craine D8/354

D523,735 S * 6/2006 Craine D8/354
D558,039 S * 12/2007 Skinner D8/354
D558,040 S * 12/2007 Skinner D8/354
D558,041 S * 12/2007 Skinner D8/354
D672,058 S * 12/2012 Yoder D25/119
D672,060 S * 12/2012 Yoder D25/119
D672,885 S * 12/2012 Yoder D25/119
D703,029 S 4/2014 Fox
8,864,096 B1 * 10/2014 Fox E04H 12/2292
248/534
10,100,508 B1 * 10/2018 Fox E04B 1/2608
10,202,766 B1 * 2/2019 Fox E04B 1/2604
10,294,656 B2 * 5/2019 Fox E04B 1/2403
10,358,811 B1 * 7/2019 Fox E04B 1/1903
D858,255 S * 9/2019 Fox D8/354
D869,936 S * 12/2019 Smith D8/349
2009/0178362 A1 * 7/2009 Jerke E04H 9/14
52/656.9
2018/0363287 A1 * 12/2018 Fox E04B 1/2403
2019/0271146 A1 * 9/2019 Fox E04B 1/2604
2019/0285224 A1 * 9/2019 McKechnie E04B 9/127

FOREIGN PATENT DOCUMENTS

KR 300919769.0000 * 8/2017
KR 300919771.0000 * 8/2017
KR 301020579.0000 * 8/2019
KR 301020580.0000 * 8/2019
KR 301020581.0000 * 8/2019

* cited by examiner

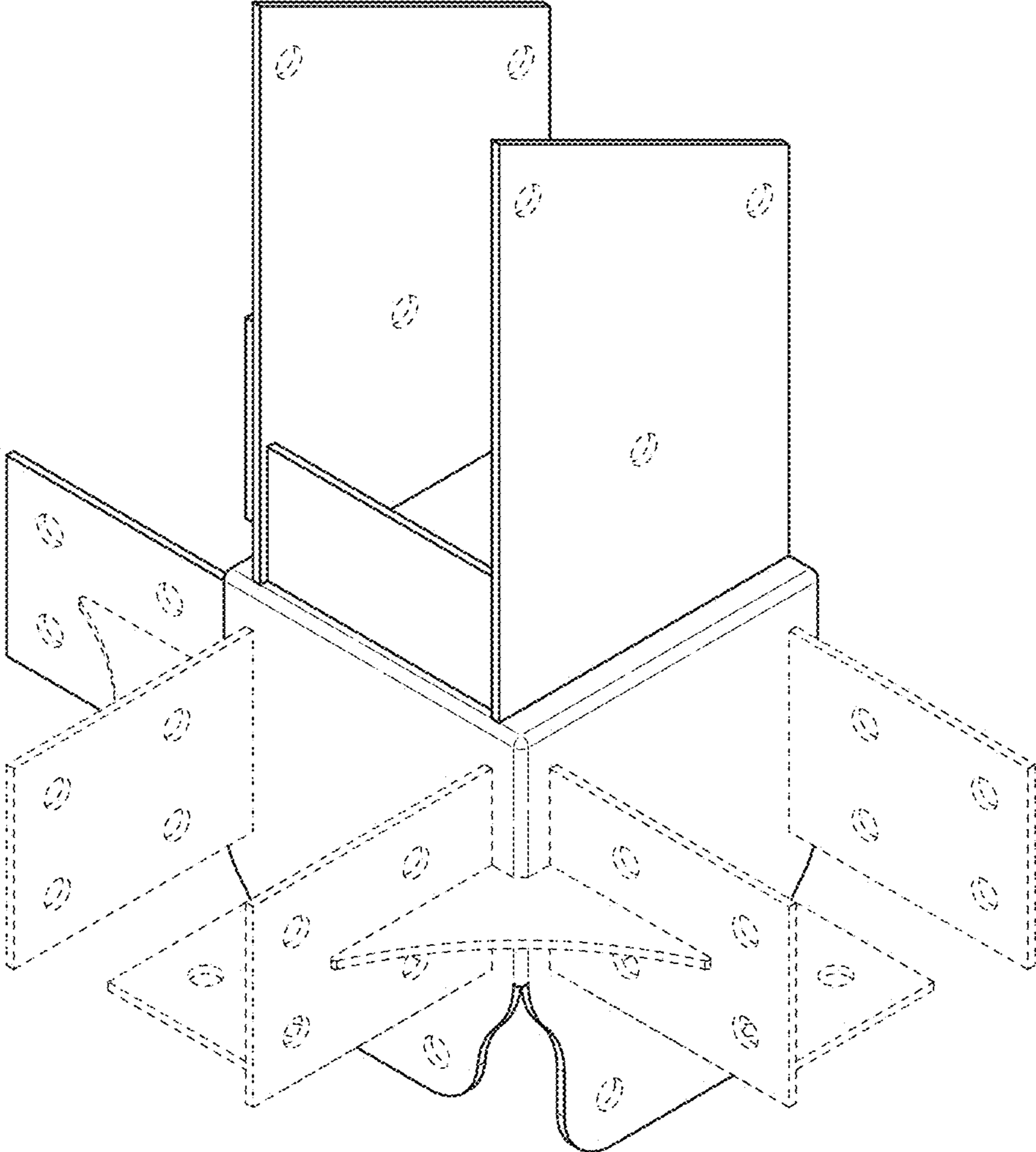


FIG. 1

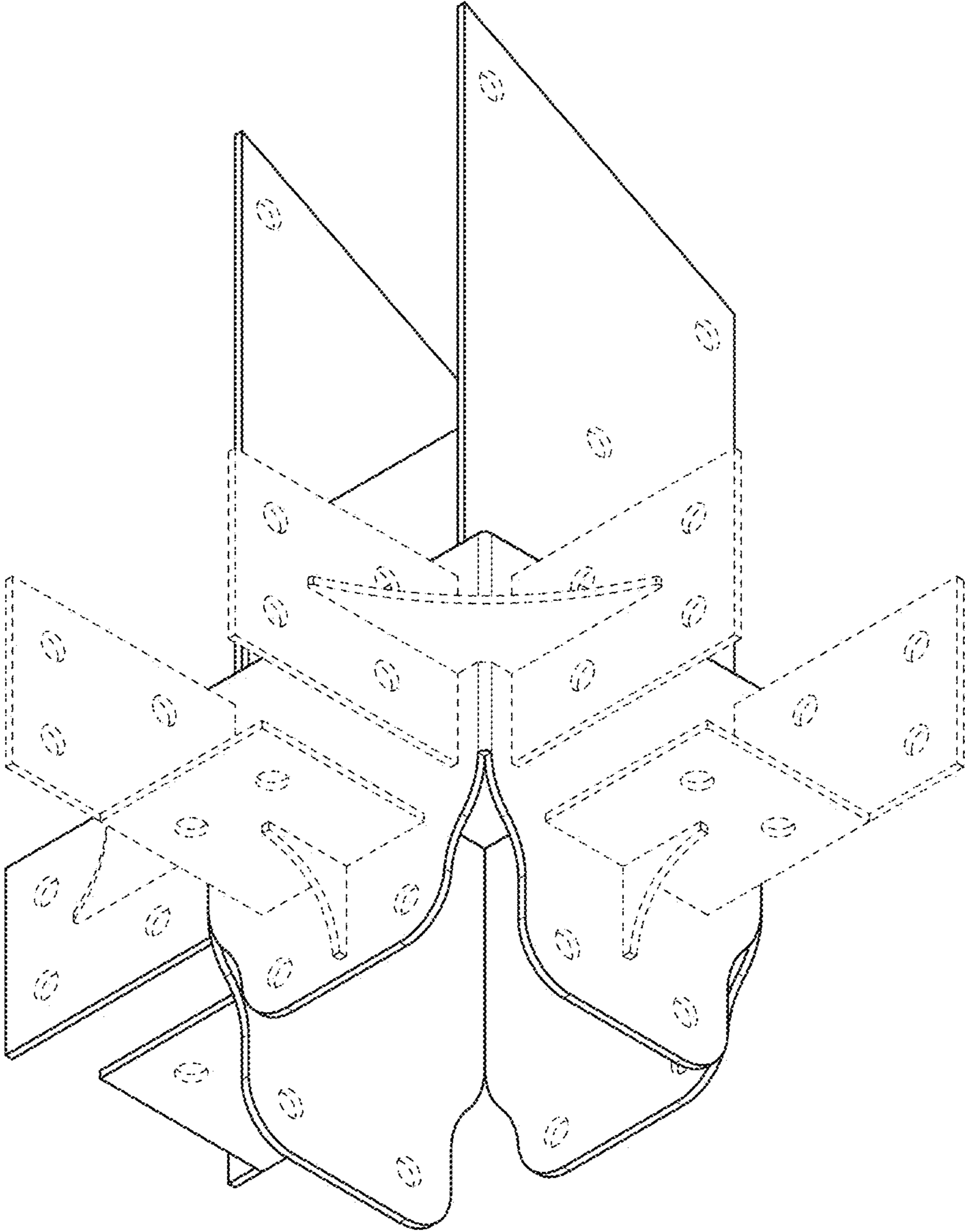


FIG. 2

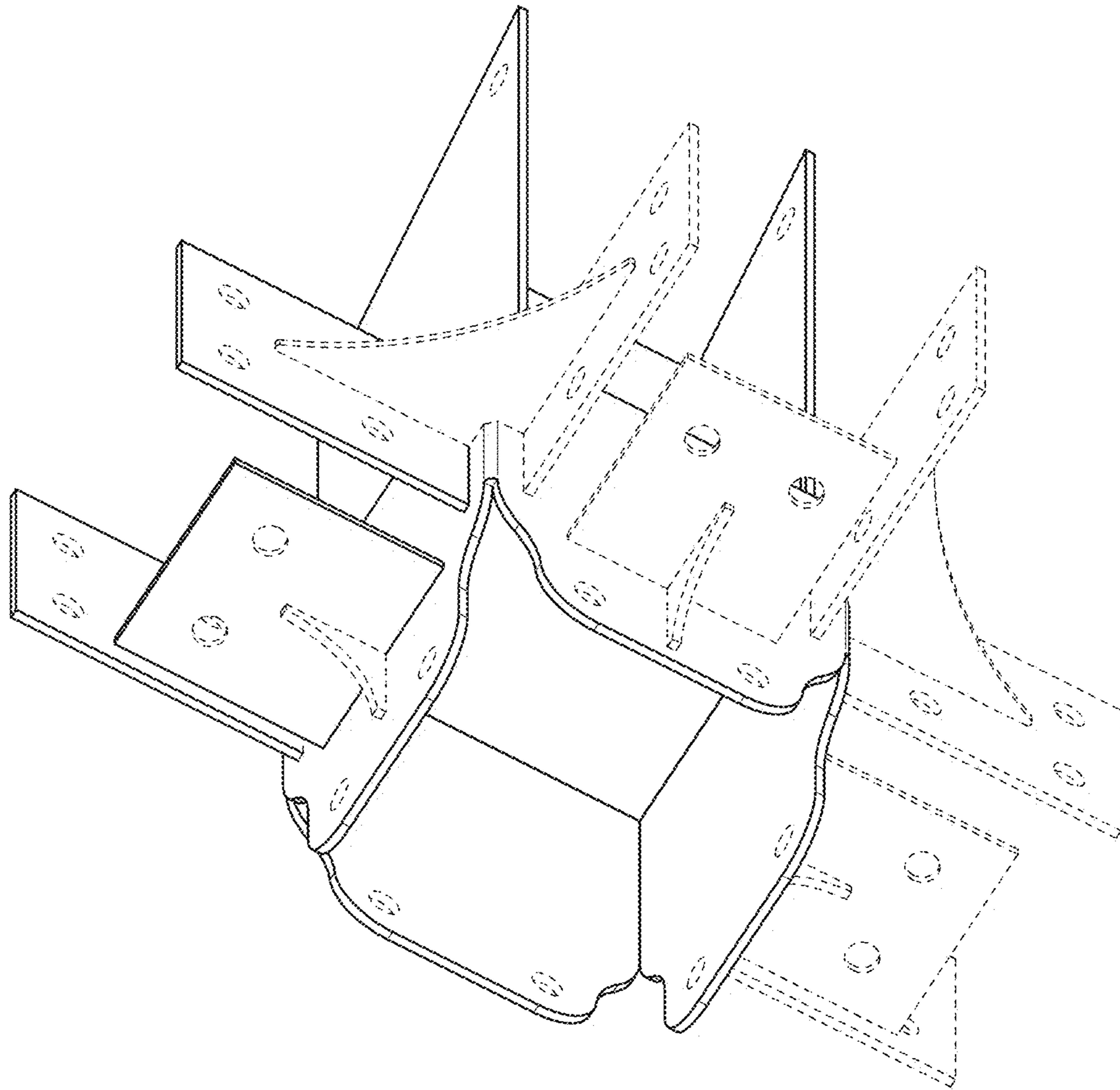


FIG. 3

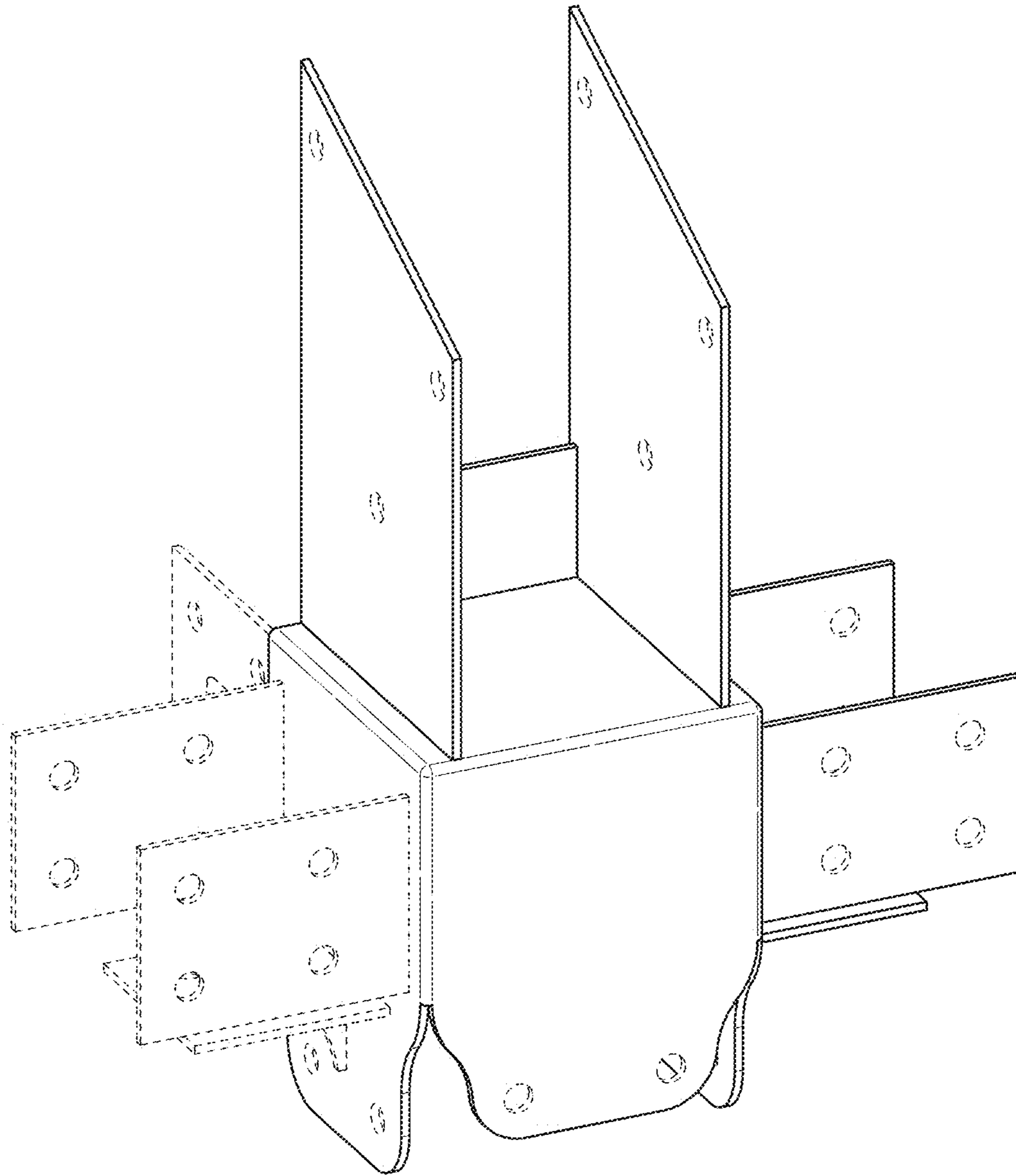


FIG. 4

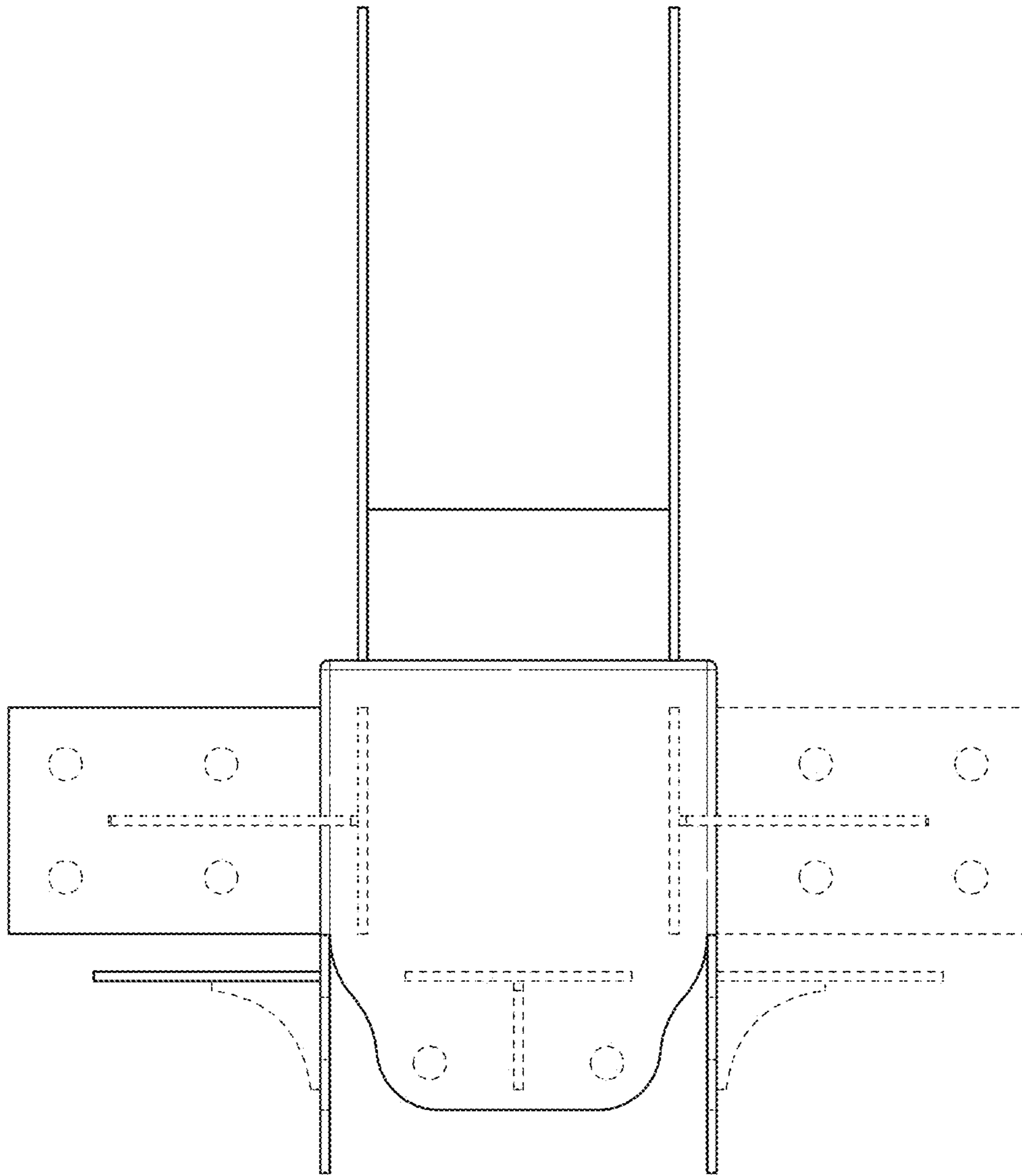


FIG. 5

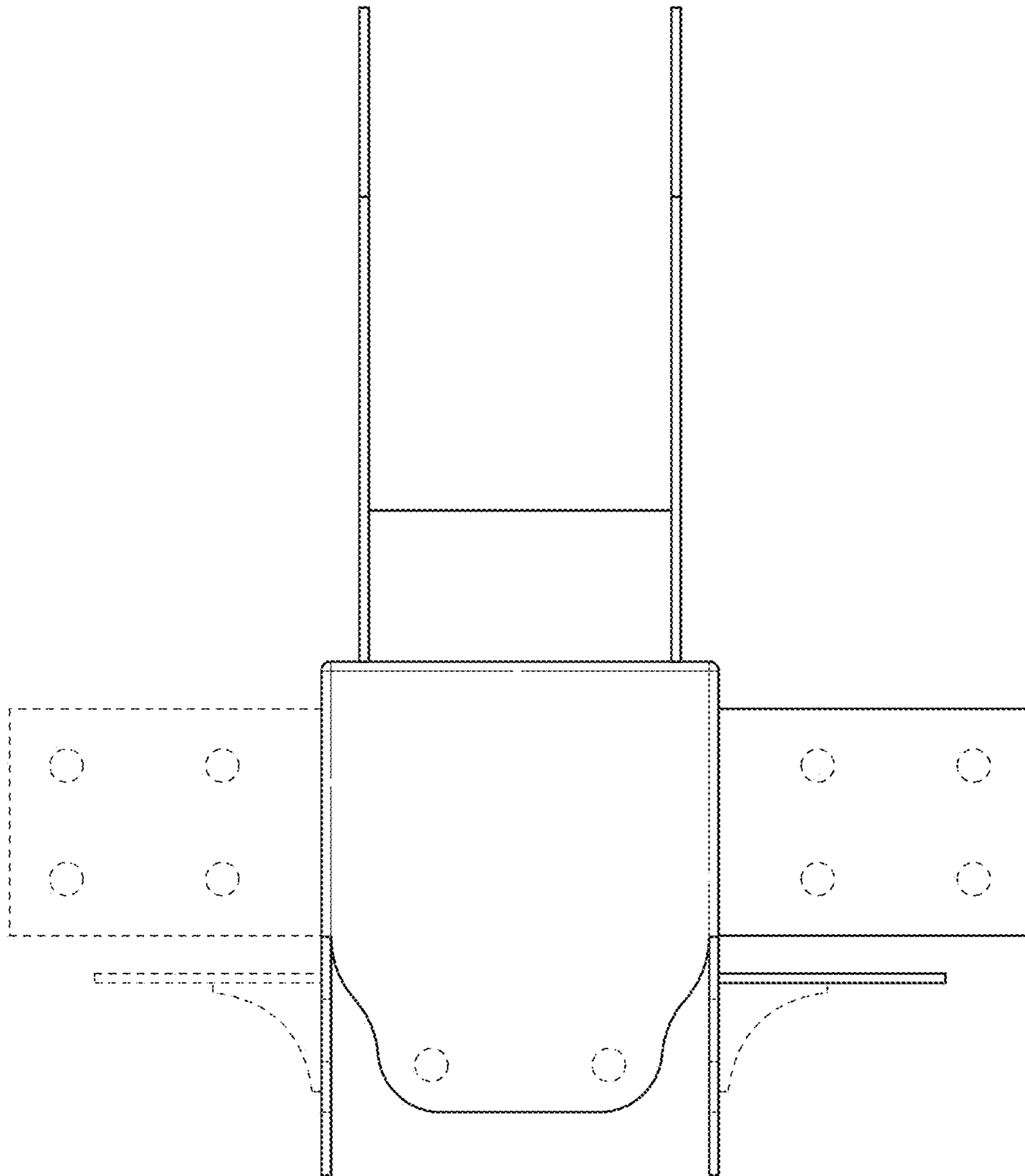


FIG. 6

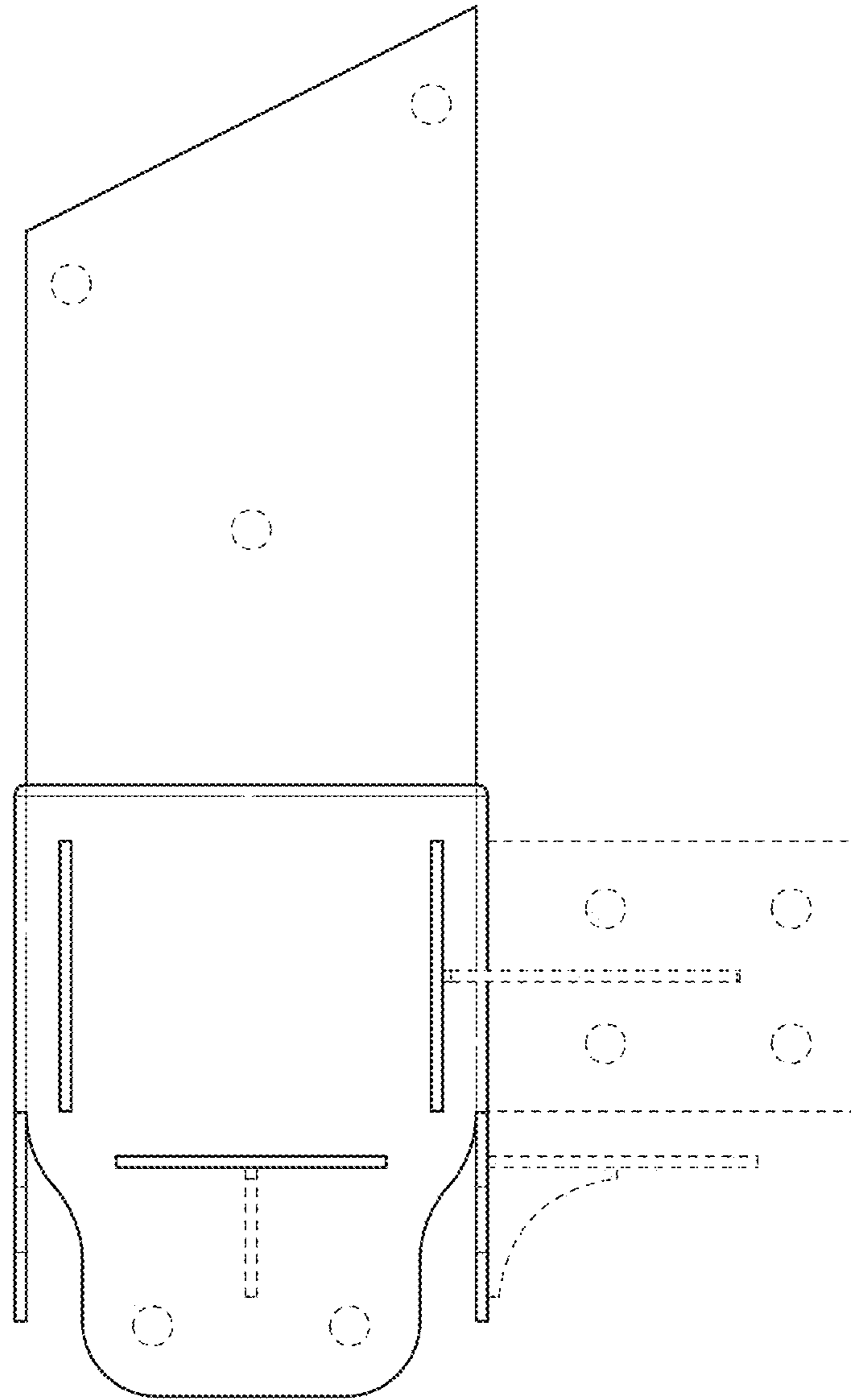


FIG. 7

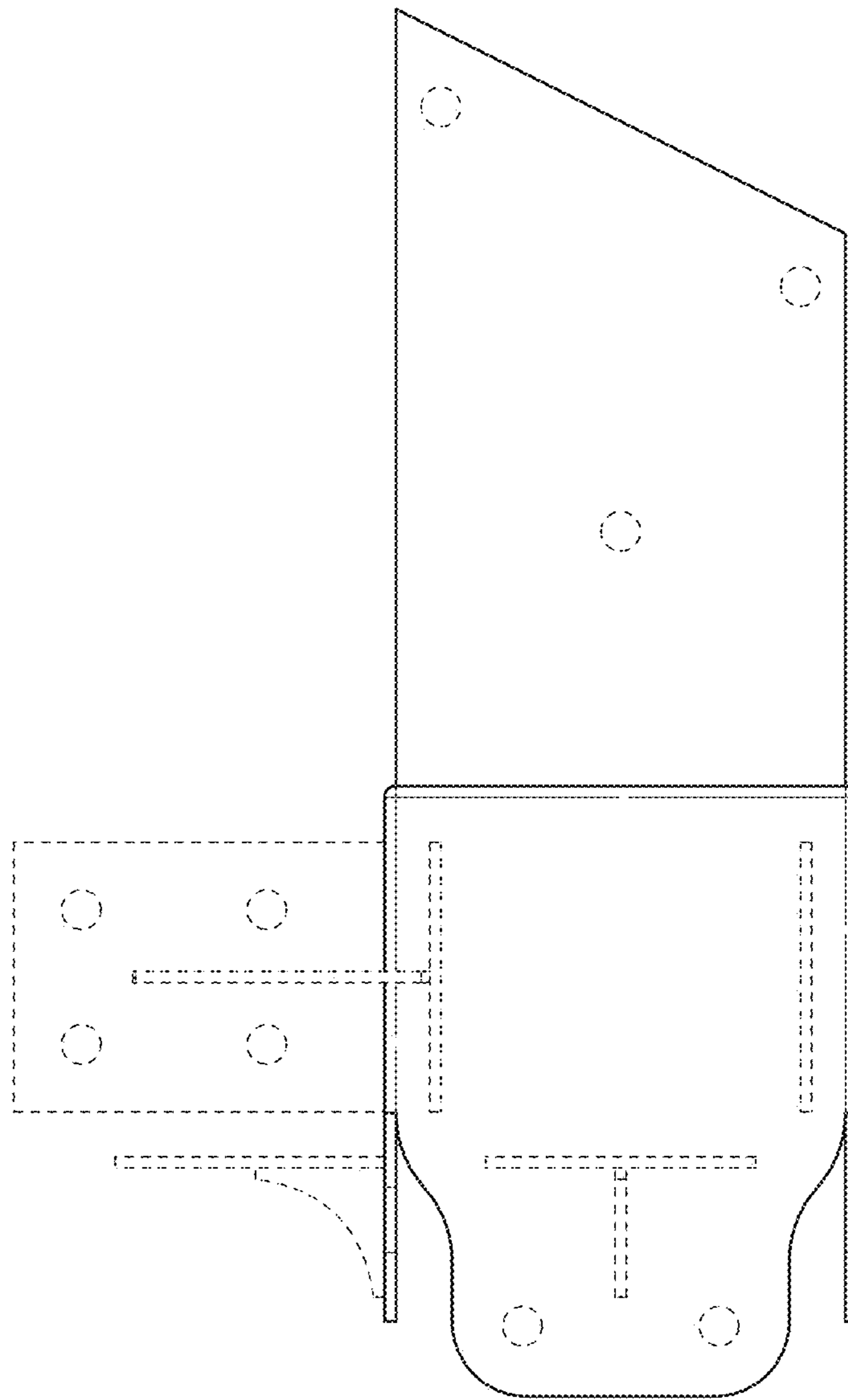


FIG. 8

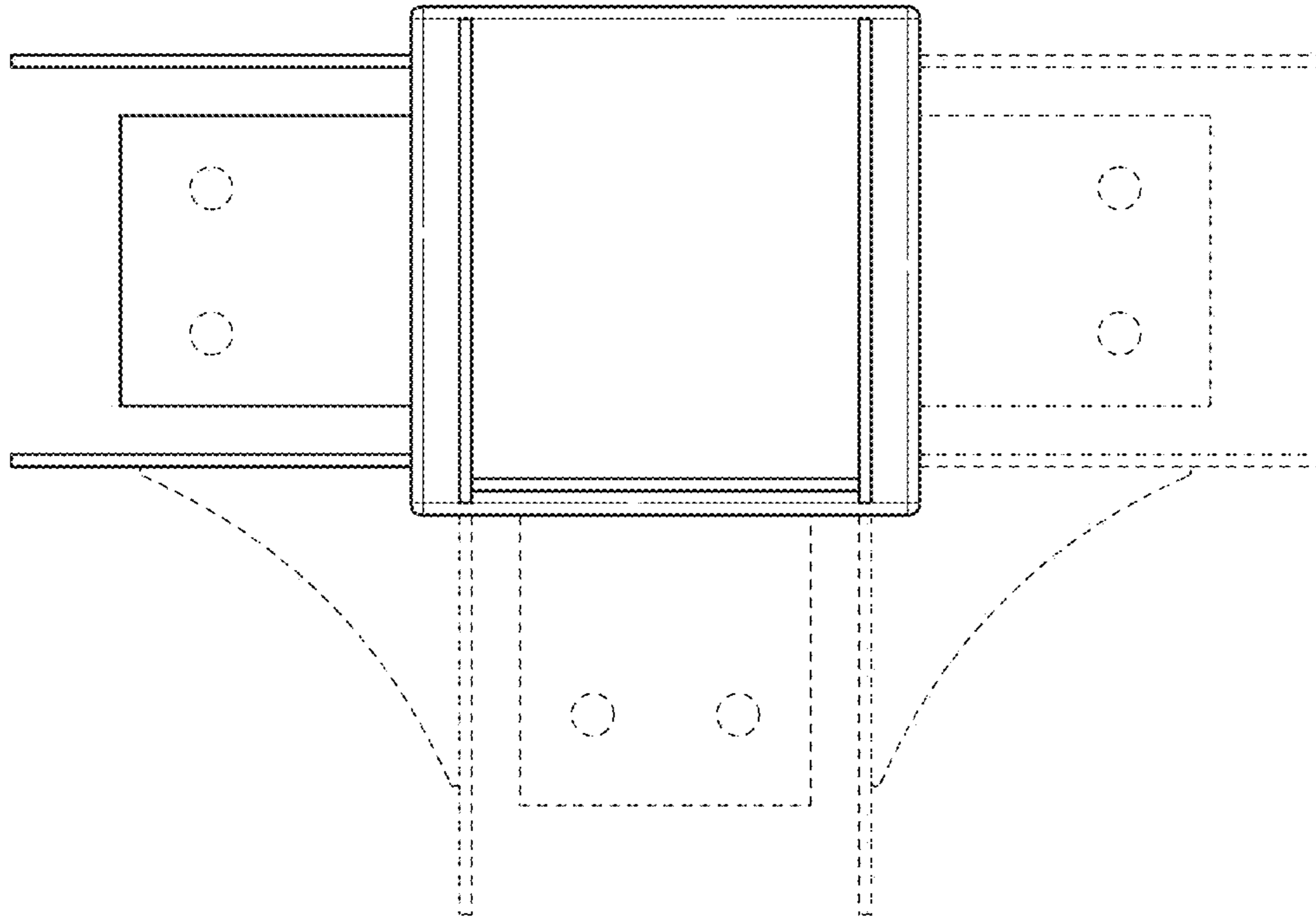


FIG. 9

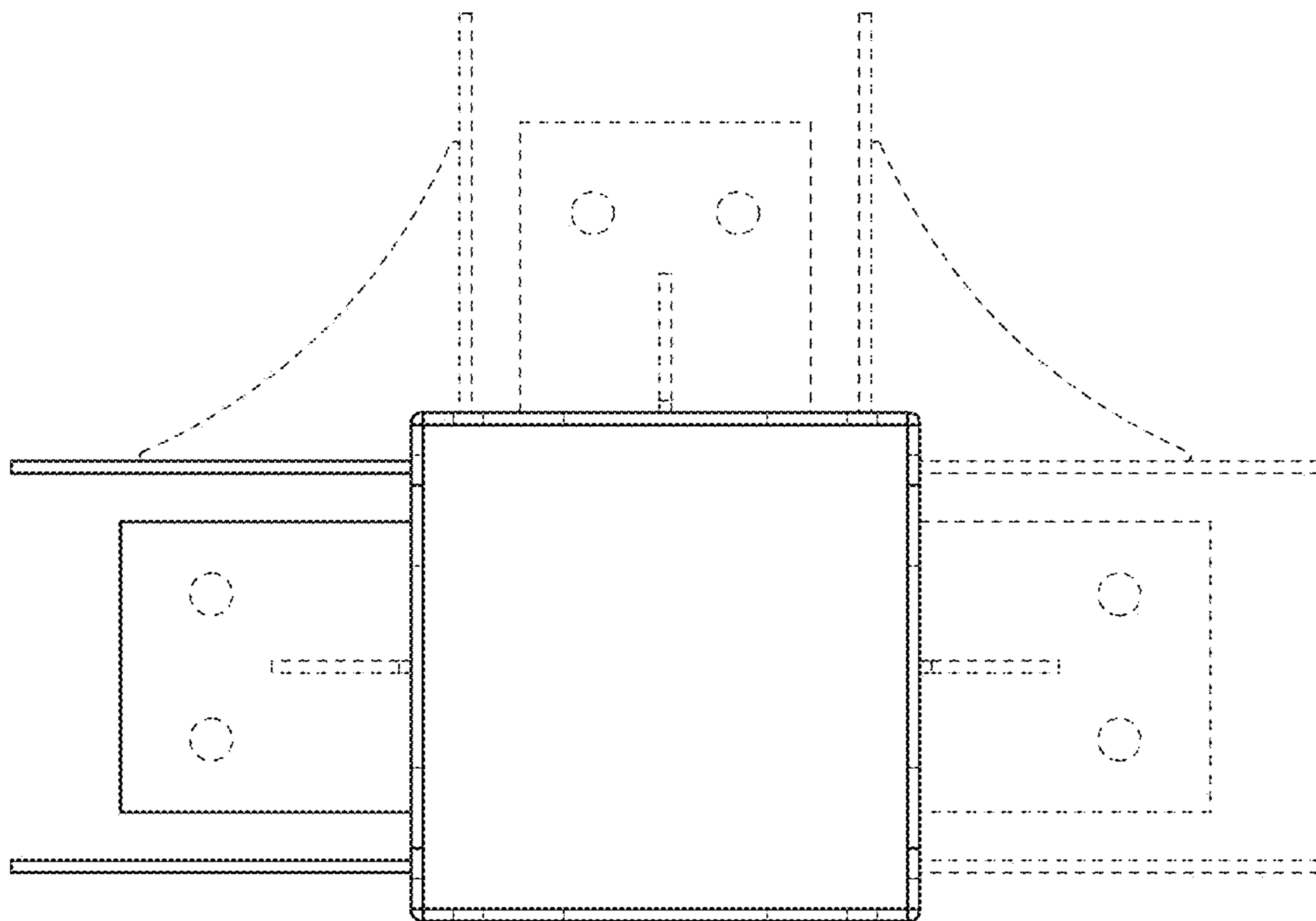


FIG. 10

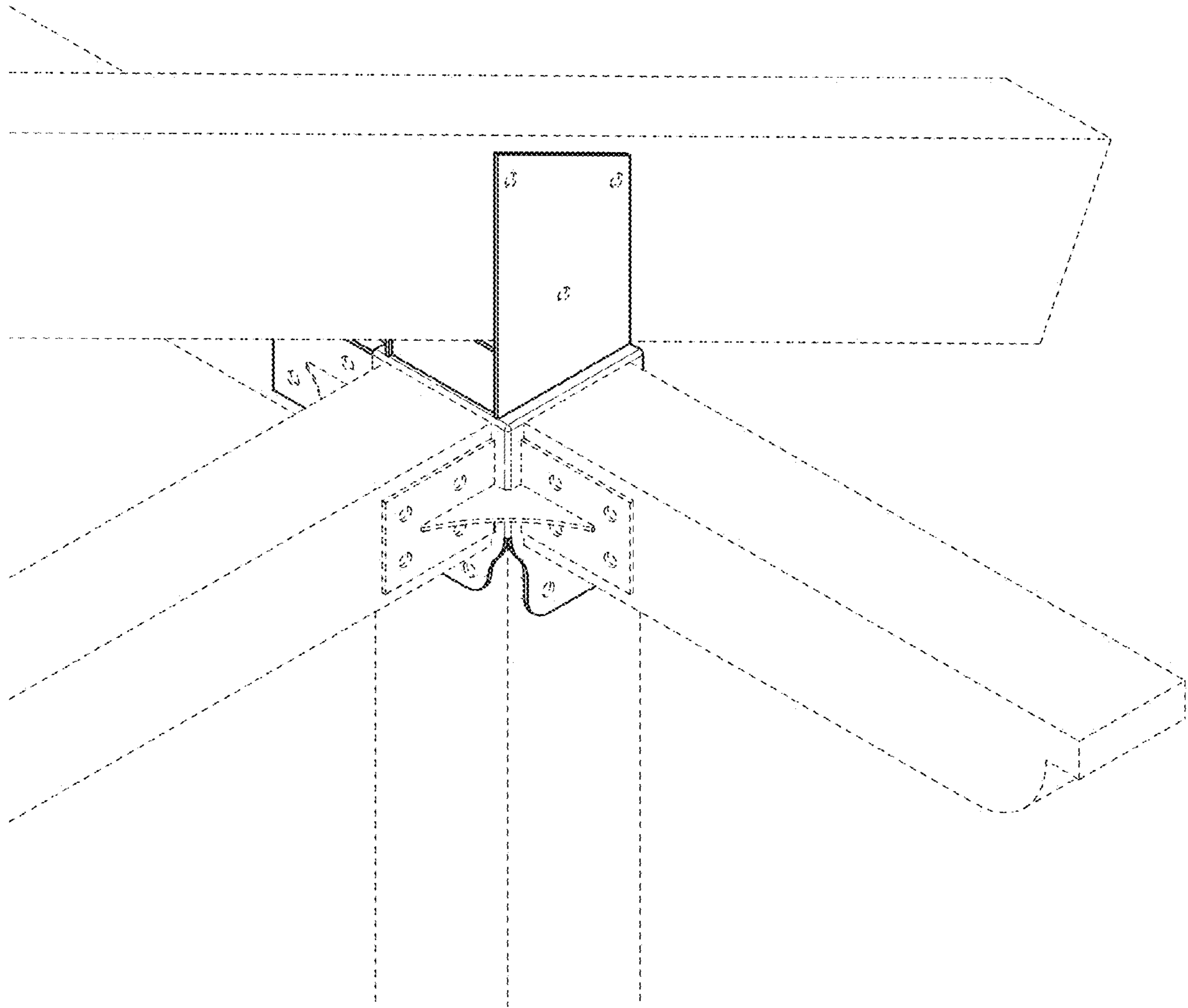


FIG. 11

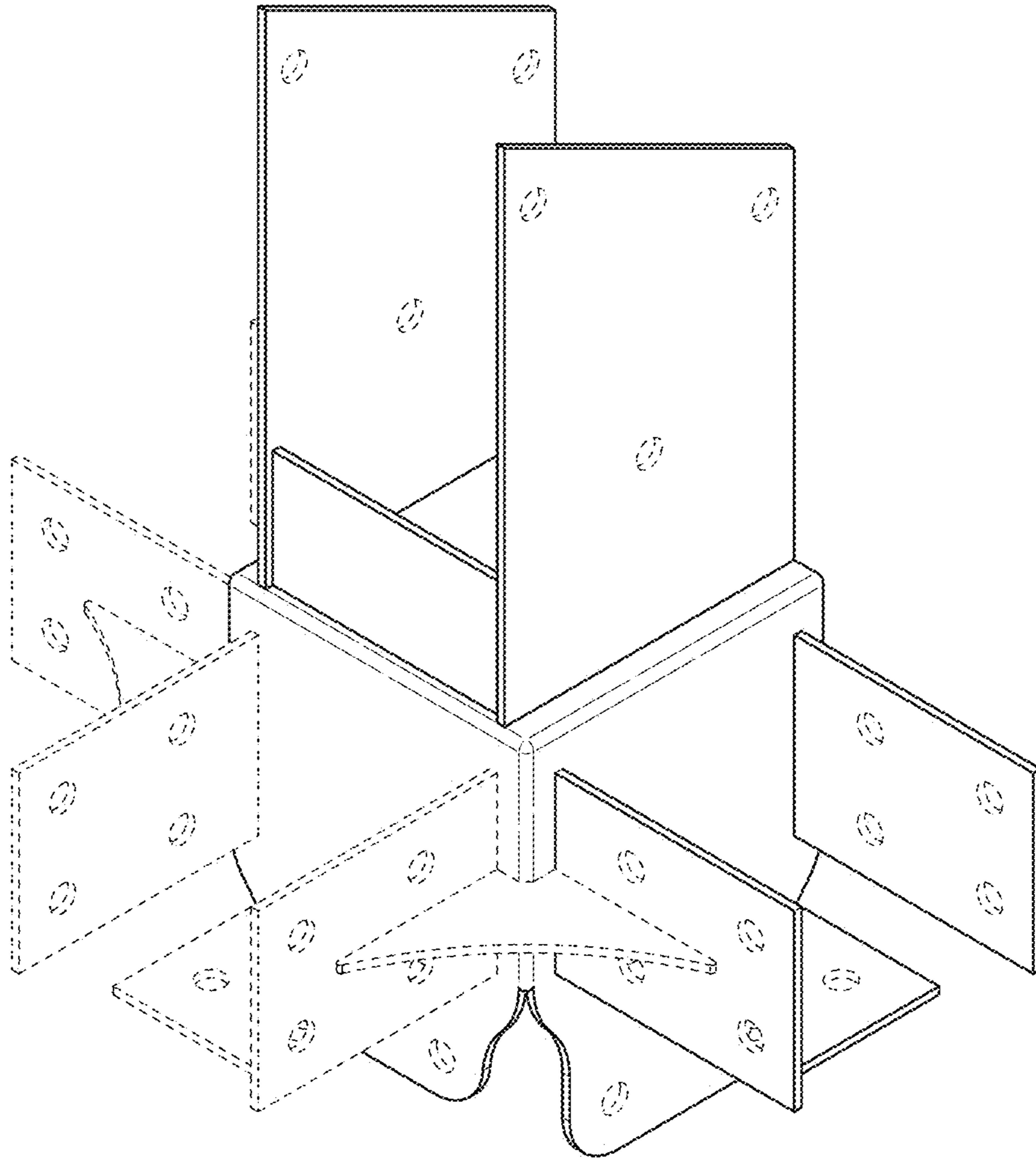


FIG. 12

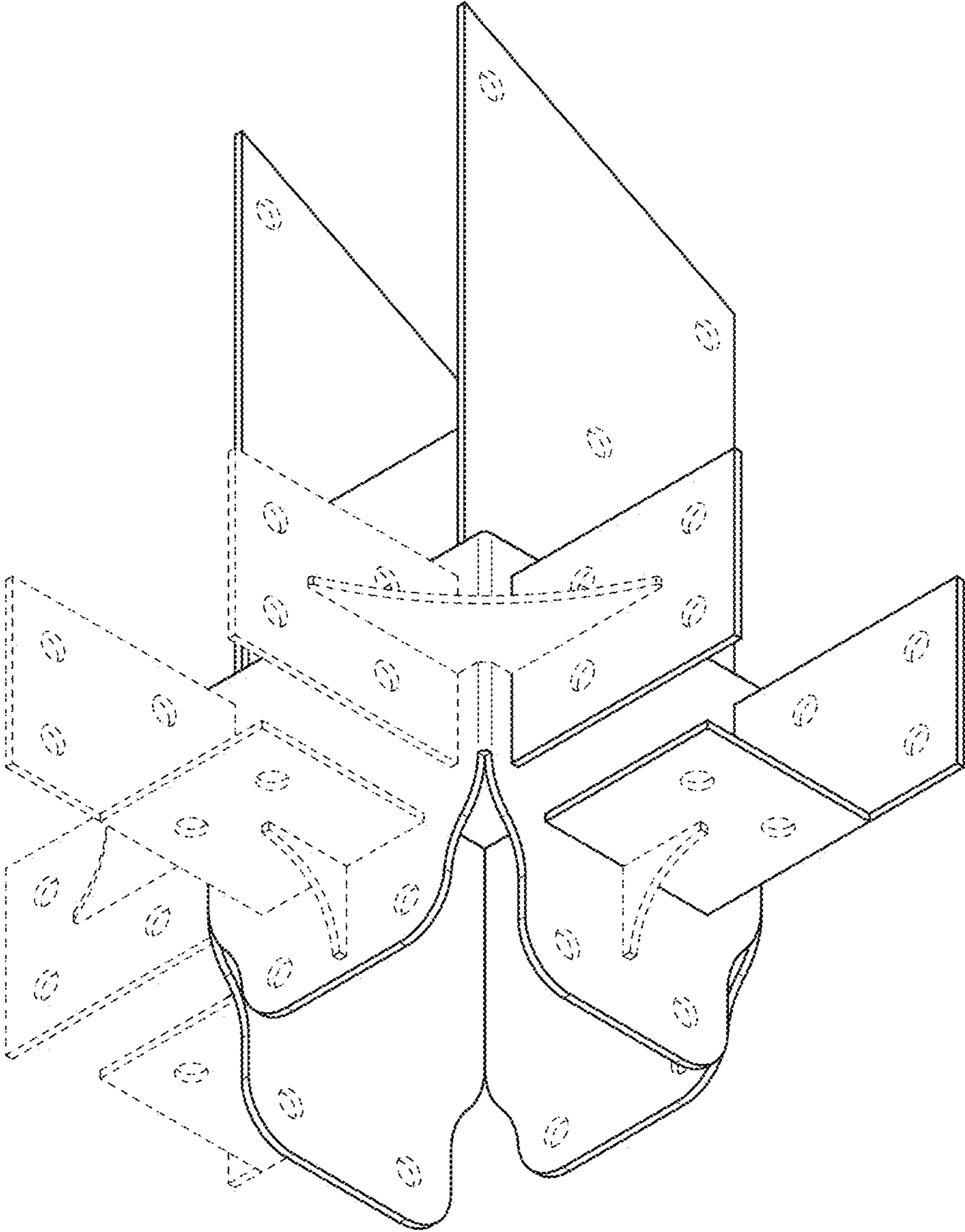


FIG. 13

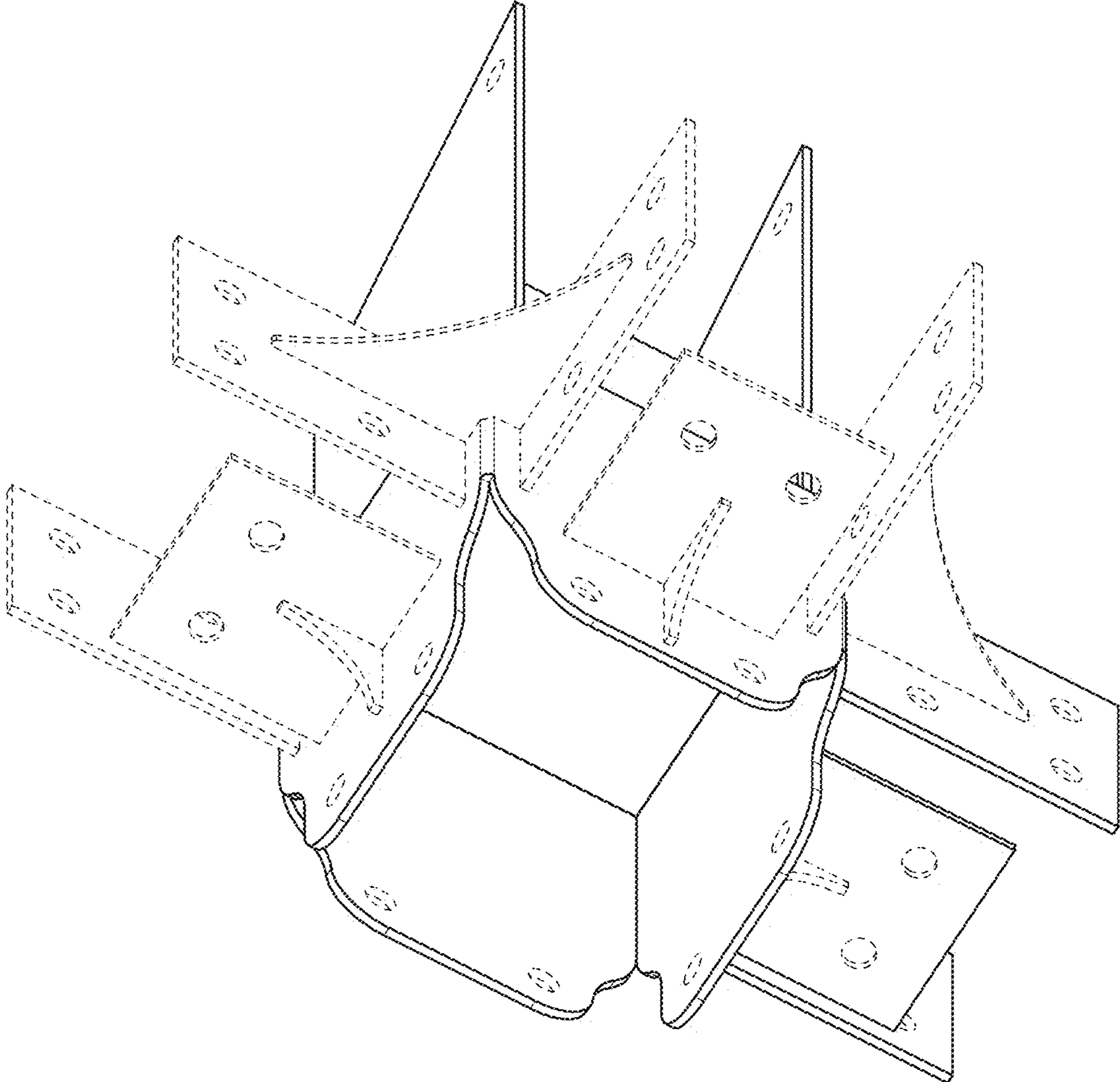


FIG. 14

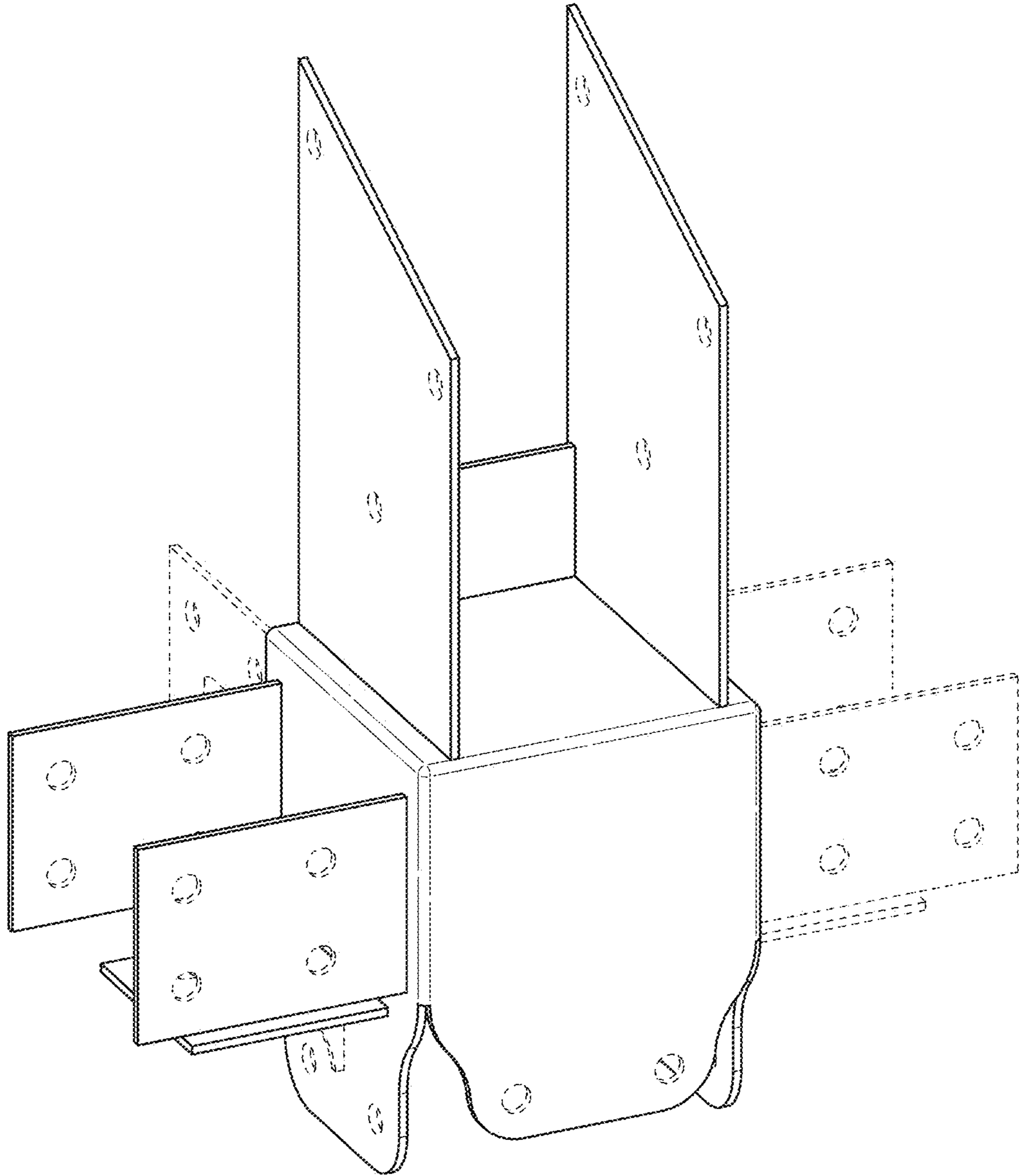


FIG. 15

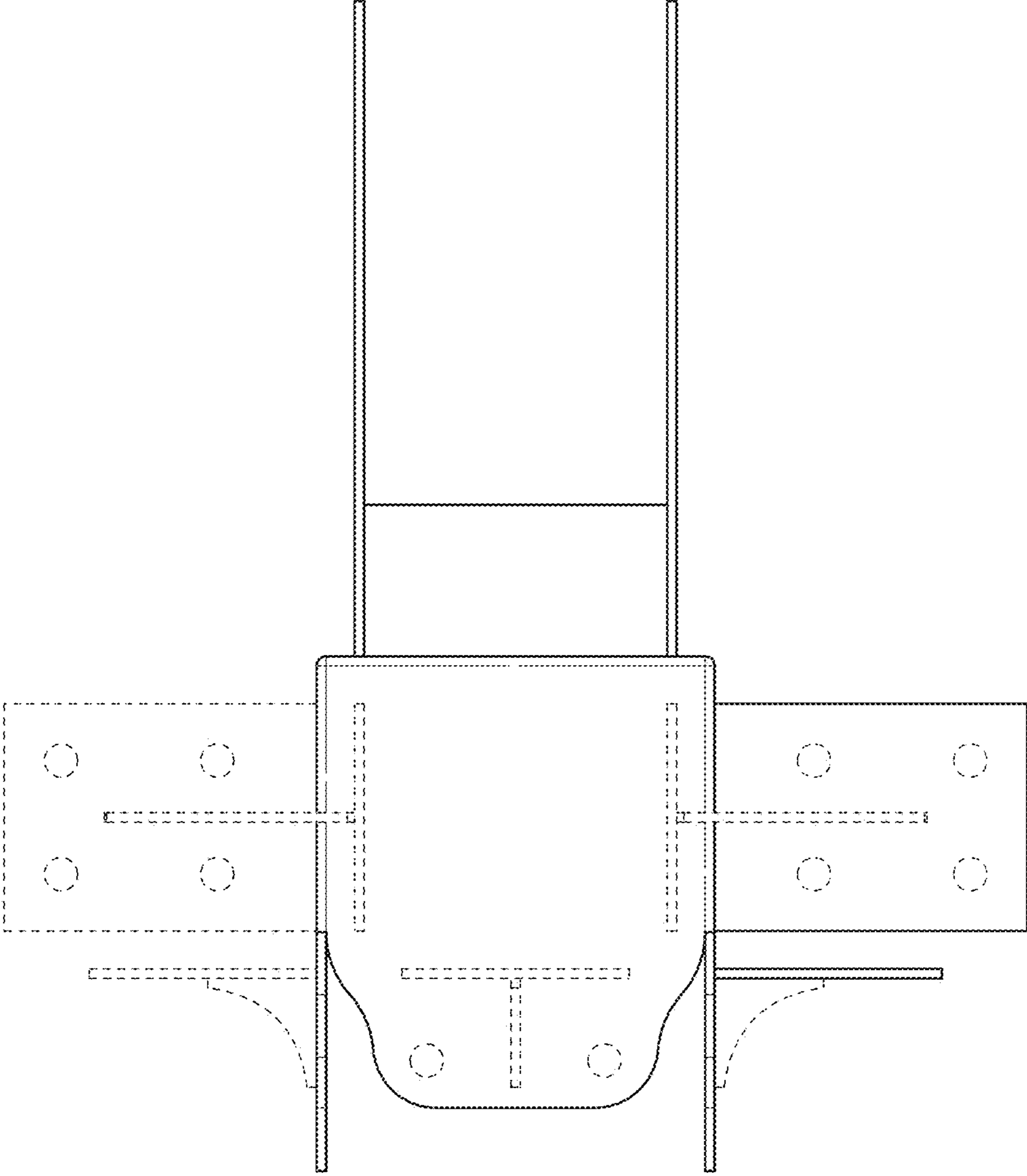


FIG. 16

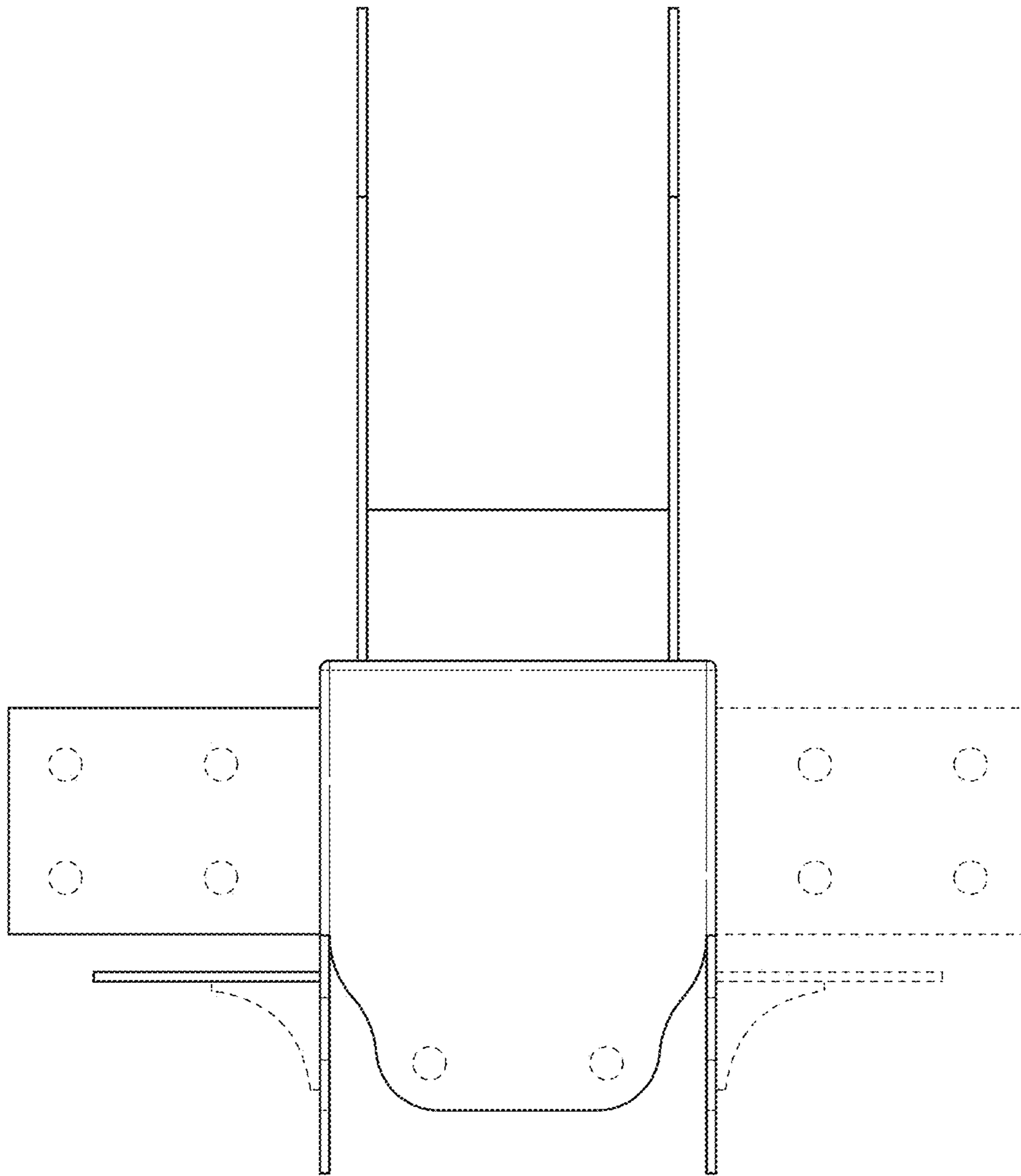


FIG. 17

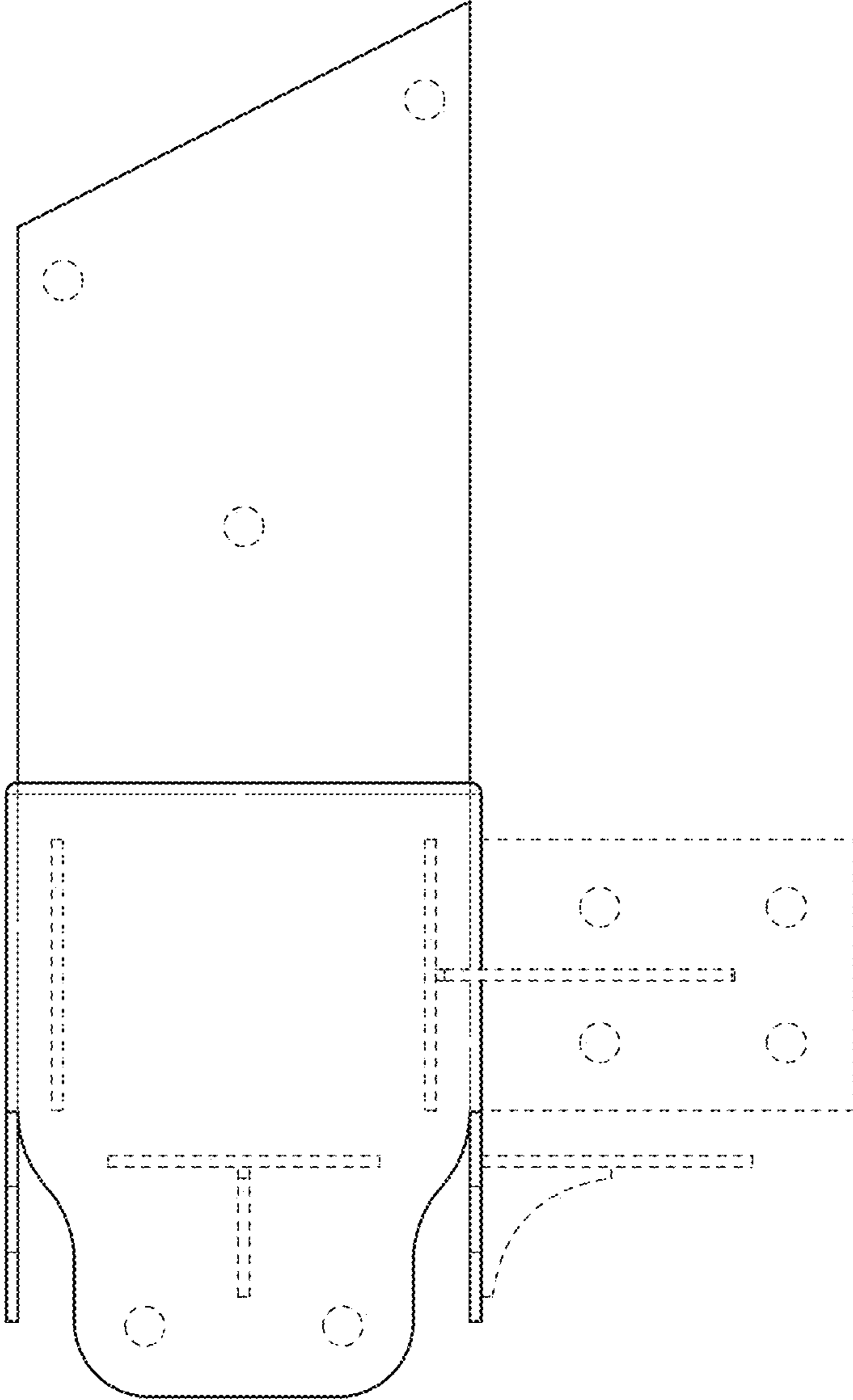


FIG. 18

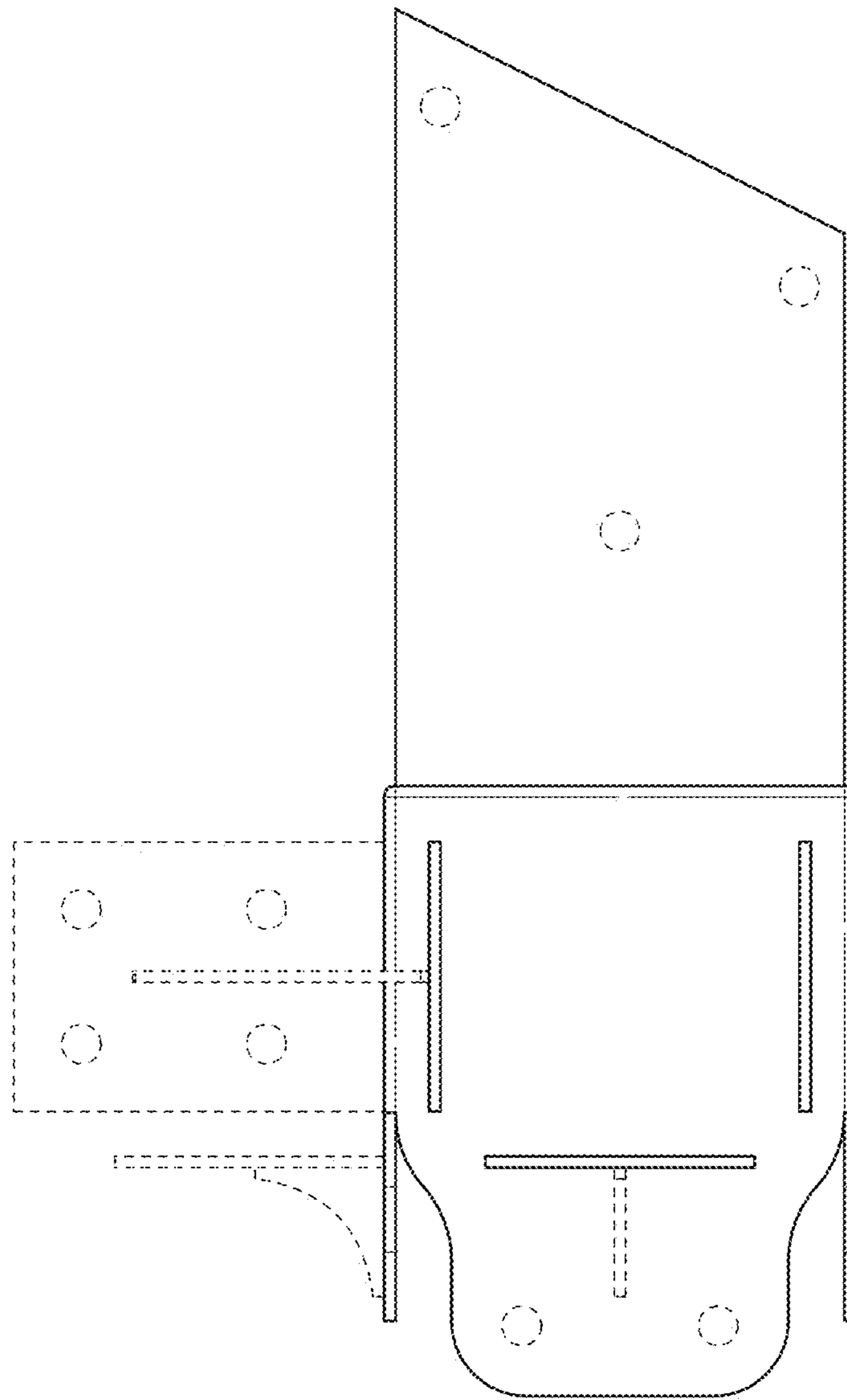


FIG. 19

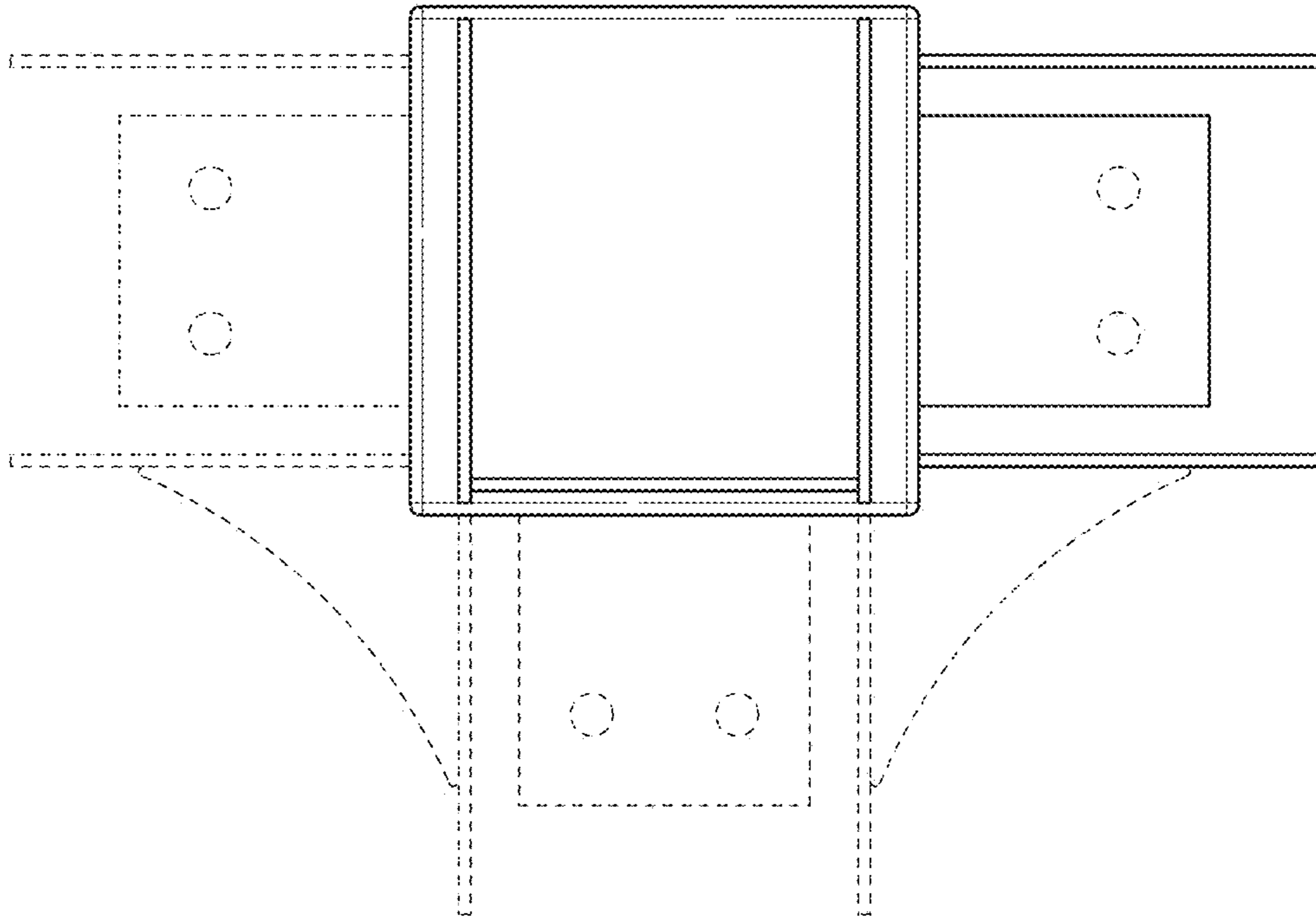


FIG. 20

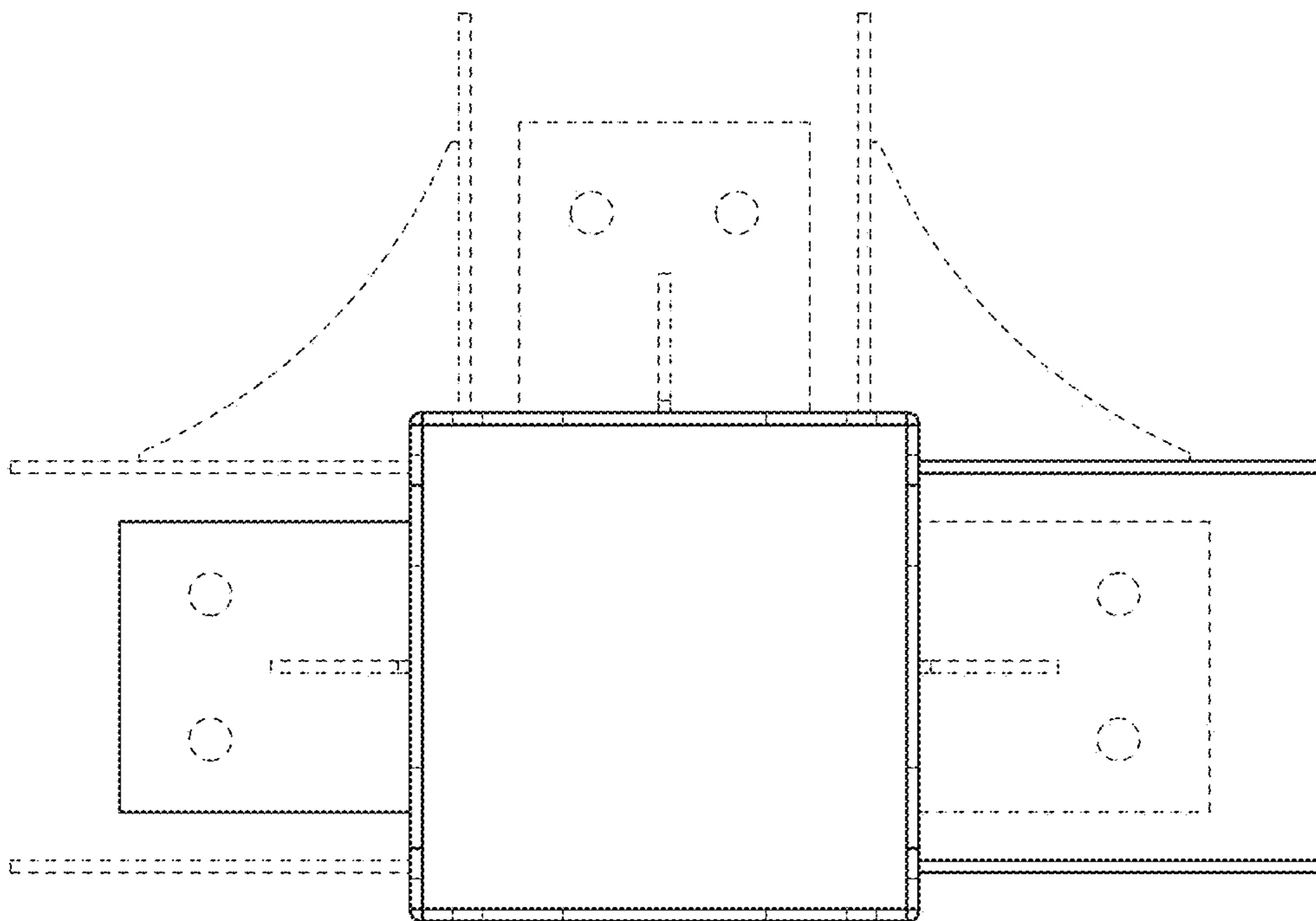


FIG. 21

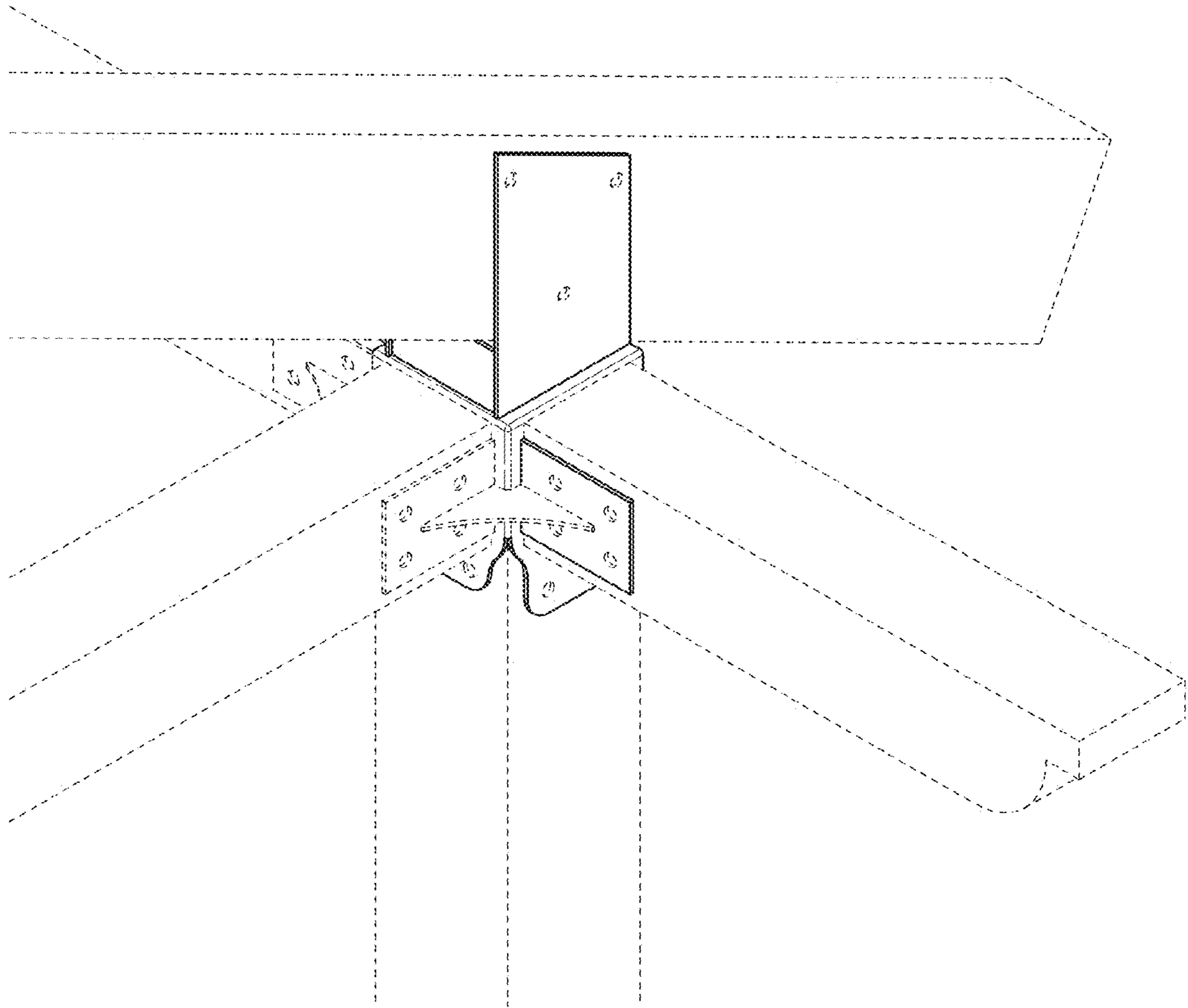


FIG. 22