



US00D891228S

(12) **United States Design Patent** (10) **Patent No.:** **US D891,228 S**
Zeiser et al. (45) **Date of Patent:** **** Jul. 28, 2020**

(54) **SUPPORT RAIL FOR FOOD PAN**
(71) Applicant: **Hubert North America Services, LLC**,
Harrison, OH (US)
(72) Inventors: **Lisa Zeiser**, West Harrison, IN (US);
Amanda Wagoner, Fairfield, OH (US)
(73) Assignee: **Hubert North America Services, LLC**,
Harrison, OH (US)

D788,234 S * 5/2017 Gregory D21/686
9,788,652 B2 * 10/2017 Greer A47B 31/00
2008/0179267 A1 * 7/2008 Johnson A47F 5/083
211/87.01

* cited by examiner

Primary Examiner — Holly H Baynham
(74) *Attorney, Agent, or Firm* — Dinsmore & Shohl LLP

(**) Term: **15 Years**
(21) Appl. No.: **29/679,469**

(57) **CLAIM**

The ornamental design for a support rail for a food pan, as shown and described herein.

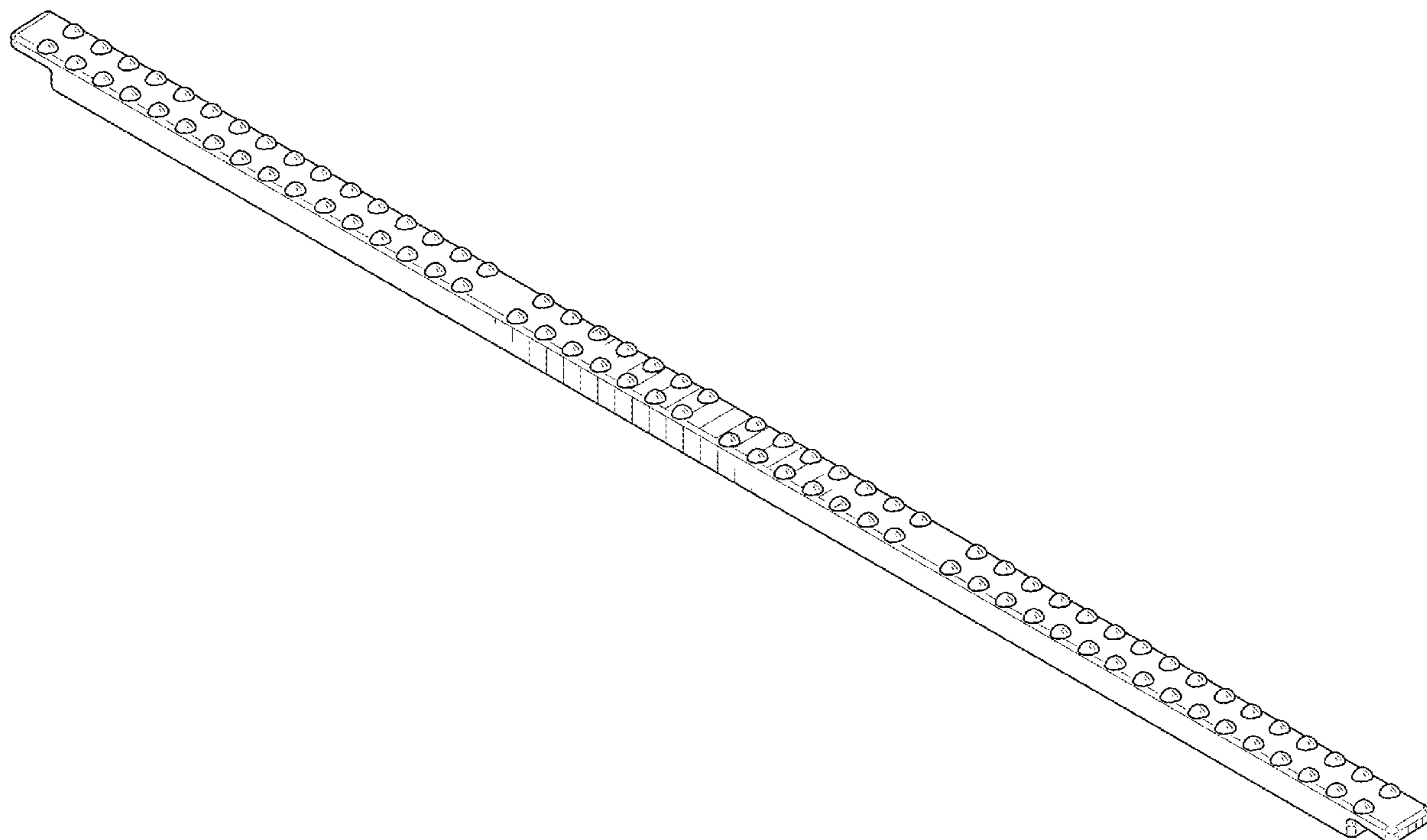
(22) Filed: **Feb. 6, 2019**
(51) **LOC (12) Cl.** **08-05**
(52) **U.S. Cl.**
USPC **D8/349**
(58) **Field of Classification Search**
USPC D8/349, 354
CPC .. A45F 5/08; A45J 37/069; A47F 5/01; A47D
5/13; A47J 43/18
See application file for complete search history.

DESCRIPTION

FIG. 1 is a top perspective view of a support rail for a food pan illustrating our new design;
FIG. 2 is a bottom perspective view of the design of FIG. 1;
FIG. 3 is a side view of the design of FIG. 1;
FIG. 4 is a side view of the design of FIG. 1;
FIG. 5 is a front view of the design of FIG. 1;
FIG. 6 is a rear view of the design of FIG. 1;
FIG. 7 is a top view of the design of FIG. 1;
FIG. 8 is a bottom view of the design of FIG. 1;
FIG. 9 is a top perspective view of the design of FIG. 1 in use; and,
FIG. 10 is a bottom perspective view of the design of FIG. 1 in use.
The broken lines represent portions of the structure that form no part of the claim.

(56) **References Cited**
U.S. PATENT DOCUMENTS
6,021,909 A * 2/2000 Tang H02B 1/36
211/183
D438,448 S * 3/2001 Batting D8/354
7,345,241 B2 * 3/2008 Caveney H01R 9/2416
174/135
D618,476 S * 6/2010 Maddux D6/705
9,593,482 B2 * 3/2017 Cipriani E04B 9/068

1 Claim, 7 Drawing Sheets



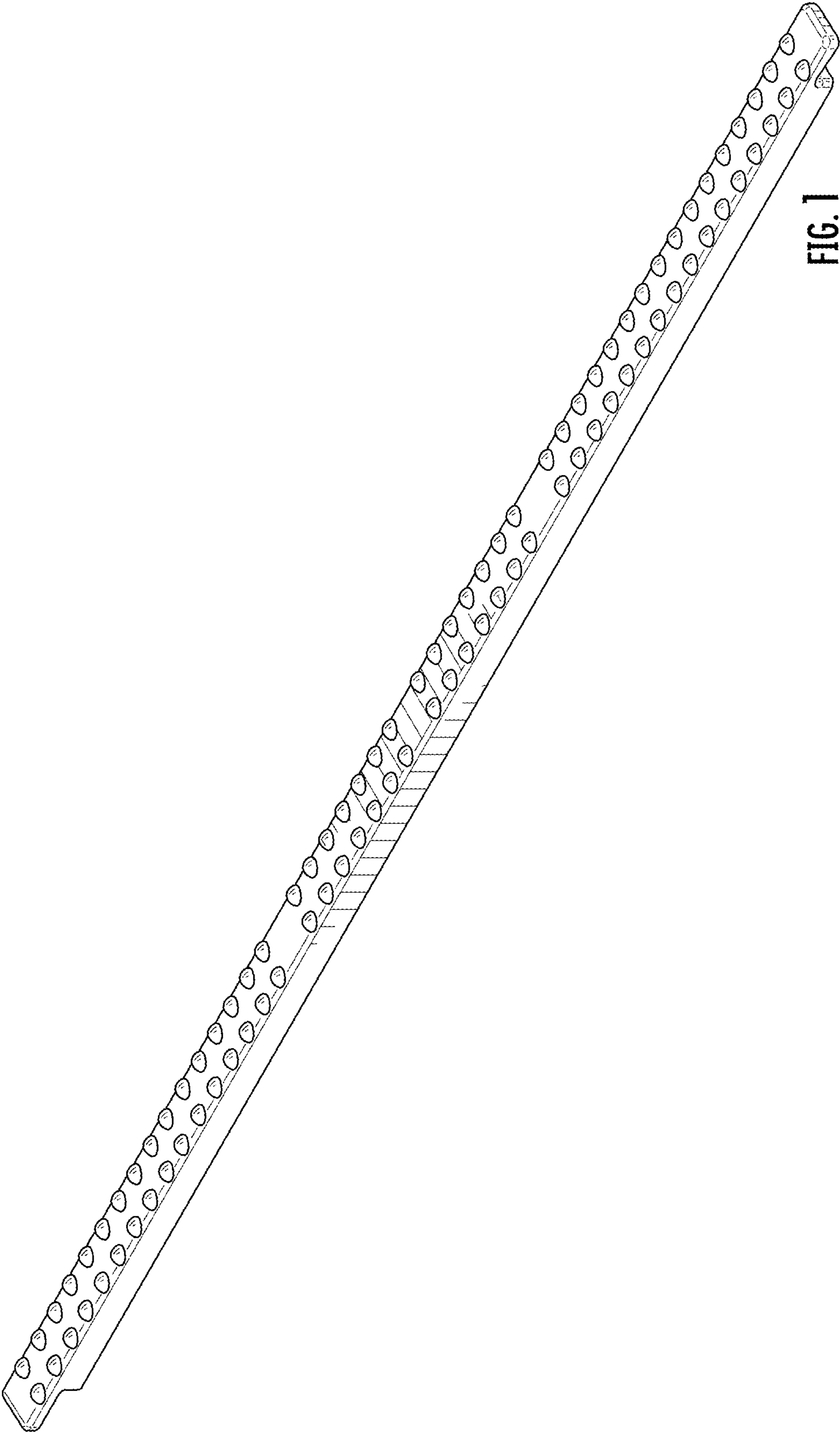


FIG. 1

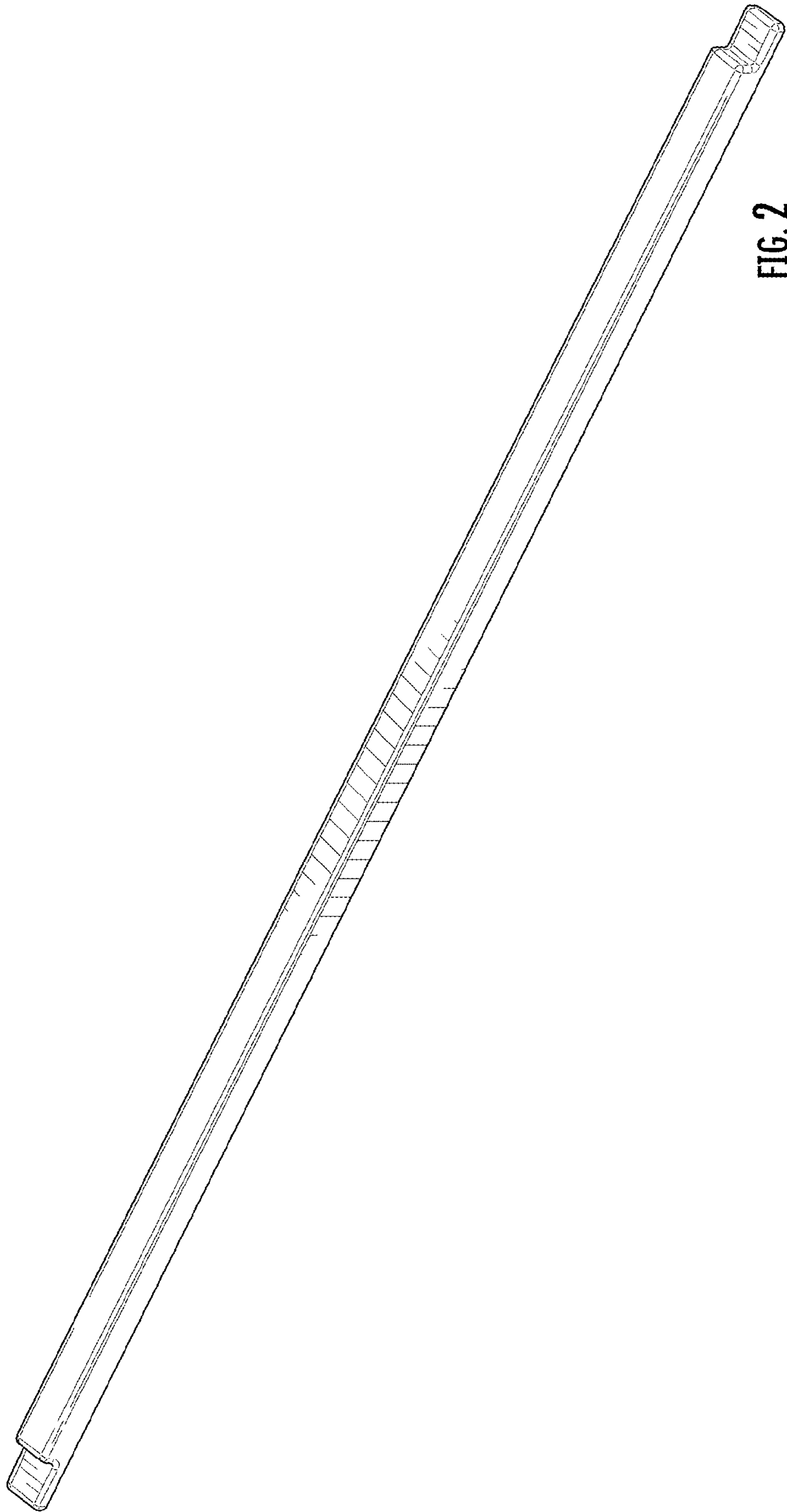


FIG. 2

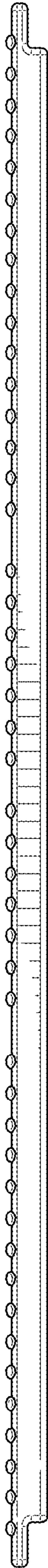


FIG. 3

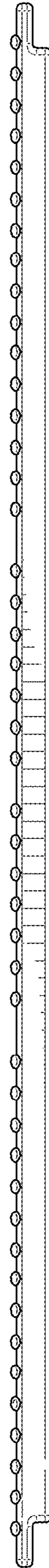


FIG. 4



FIG. 5



FIG. 6

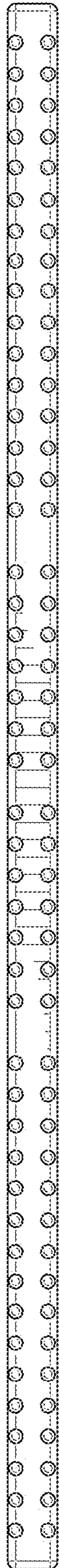


FIG. 7

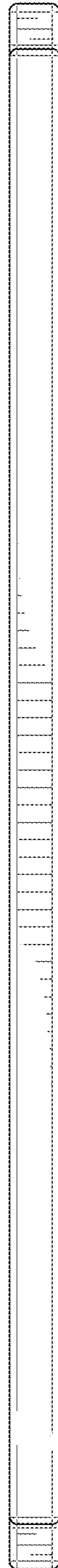


FIG. 8

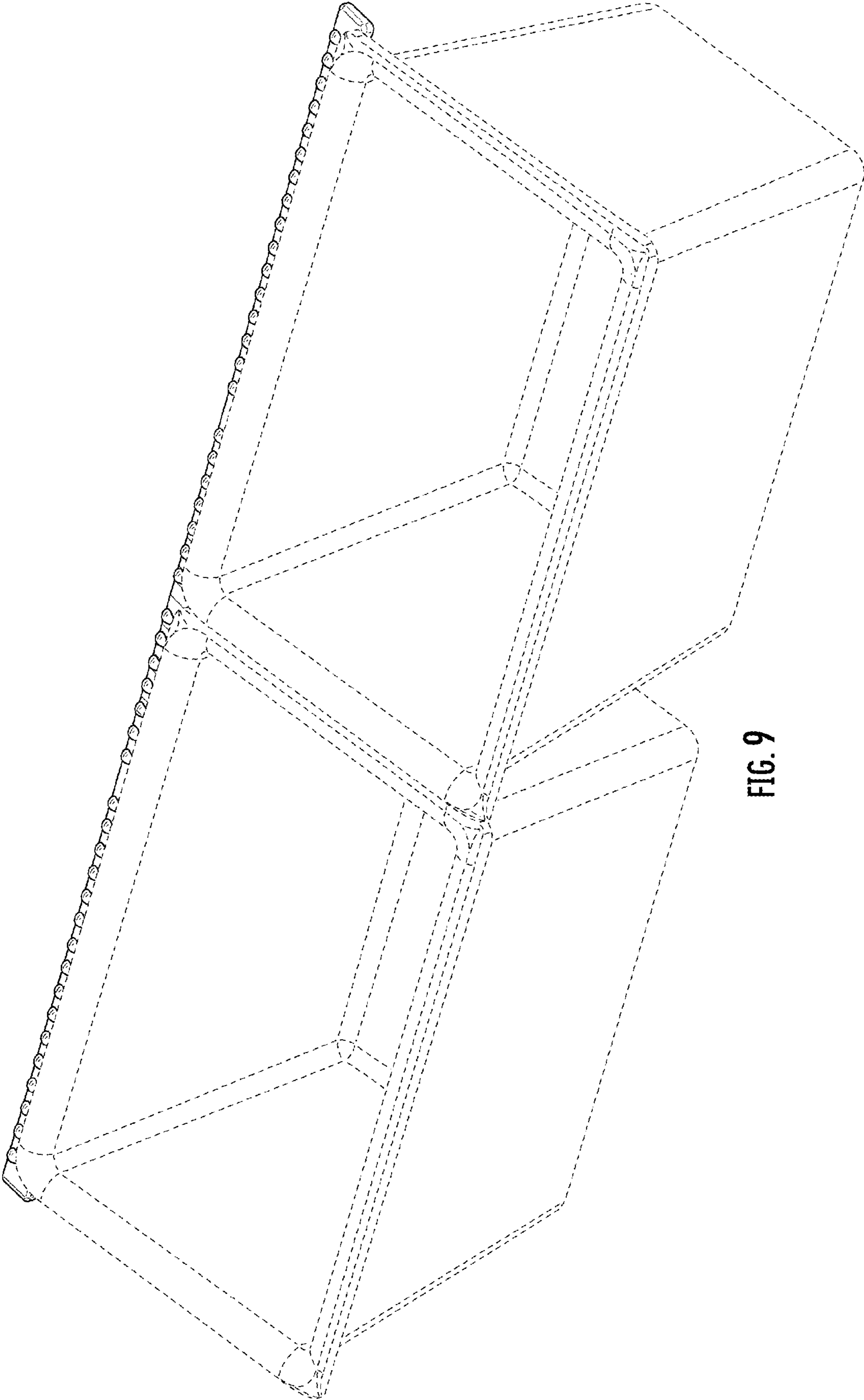


FIG. 9

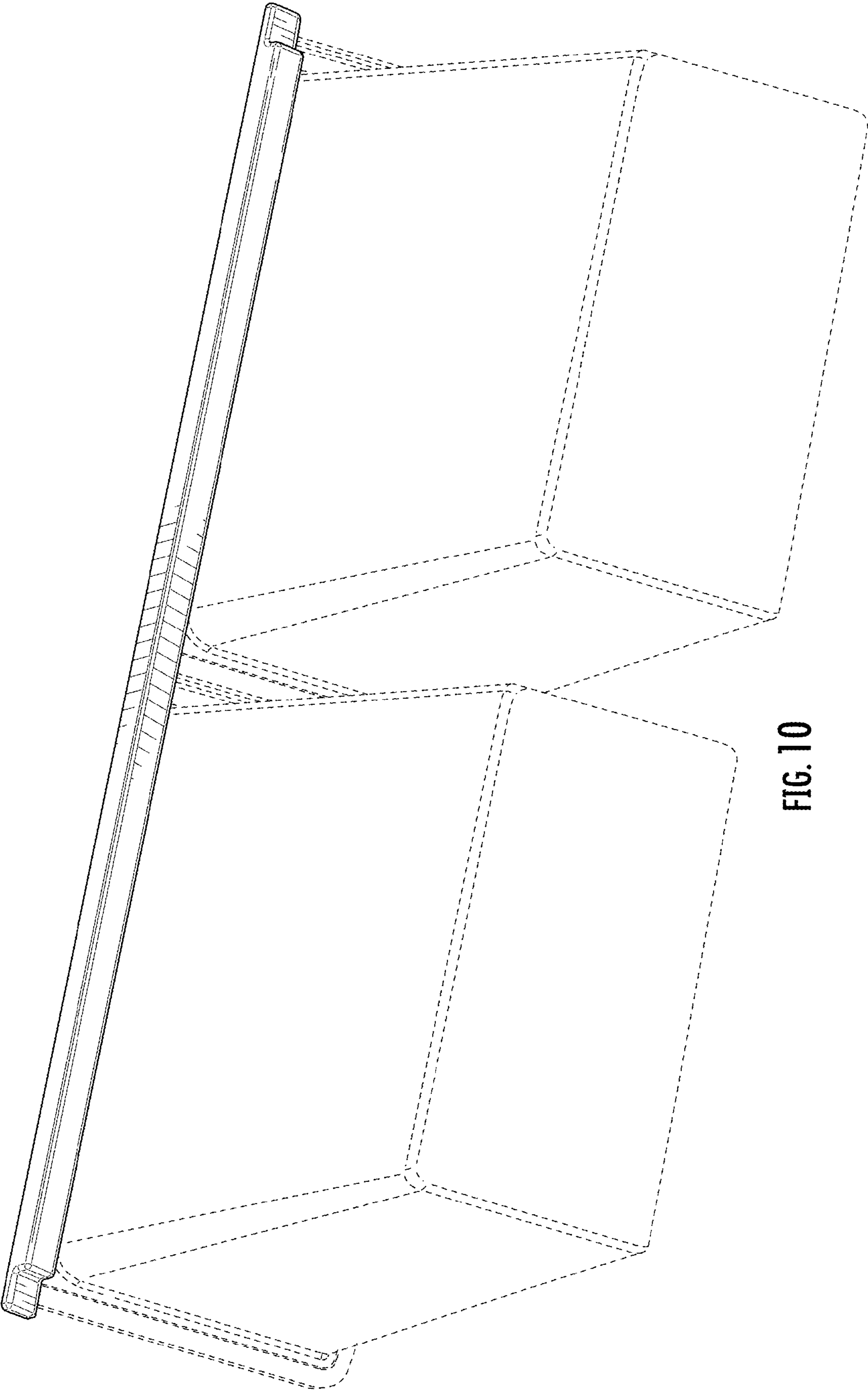


FIG. 10