



US00D891227S

(12) **United States Design Patent**
Lovgren et al.

(10) **Patent No.:** **US D891,227 S**

(45) **Date of Patent:** **** Jul. 28, 2020**

- (54) **MOUNTING BRACKET**
- (71) Applicant: **Rockler Companies, Inc.**, Medina, MN (US)
- (72) Inventors: **Sarah Lovgren**, Maple Grove, MN (US); **Dan Wenning**, Minnetonka, MN (US)
- (73) Assignee: **Rockler Companies, Inc.**, Medina, MN (US)

D752,867 S *	4/2016	Morszeck	D3/318
D779,922 S *	2/2017	Del Rossa	D12/223
D795,061 S *	8/2017	Bacallao	D6/699.4
D822,456 S *	7/2018	Treas	D8/354
D840,795 S *	2/2019	Tribbett	B65D 63/16
				D8/383
D841,438 S *	2/2019	Ito	D8/354
10,215,061 B2 *	2/2019	Ortmann	F01L 1/047
D866,301 S *	11/2019	Gasparino	A47B 45/00
				D8/354
D867,121 S *	11/2019	Zalme	D8/394
D869,942 S *	12/2019	Belgiovine	D8/373
2002/0078534 A1 *	6/2002	Williams	B65D 33/1625
				24/30.5 S

(**) Term: **15 Years**

* cited by examiner

(21) Appl. No.: **29/675,310**

(22) Filed: **Dec. 31, 2018**

(51) **LOC (12) Cl.** **08-08**

(52) **U.S. Cl.**
USPC **D8/349**

(58) **Field of Classification Search**
USPC D8/354, 355, 363, 373-377
CPC .. A47F 5/00; A47H 1/10; A47G 29/00; A47G 29/08; A47B 97/00; A47K 3/14
See application file for complete search history.

Primary Examiner — Mark A Goodwin
Assistant Examiner — Benjamin M Weeks
(74) *Attorney, Agent, or Firm* — James L. Young;
Westman, Champlin & Koehler P.A.

(57) **CLAIM**

The ornamental design for a mounting bracket, as shown and described.

DESCRIPTION

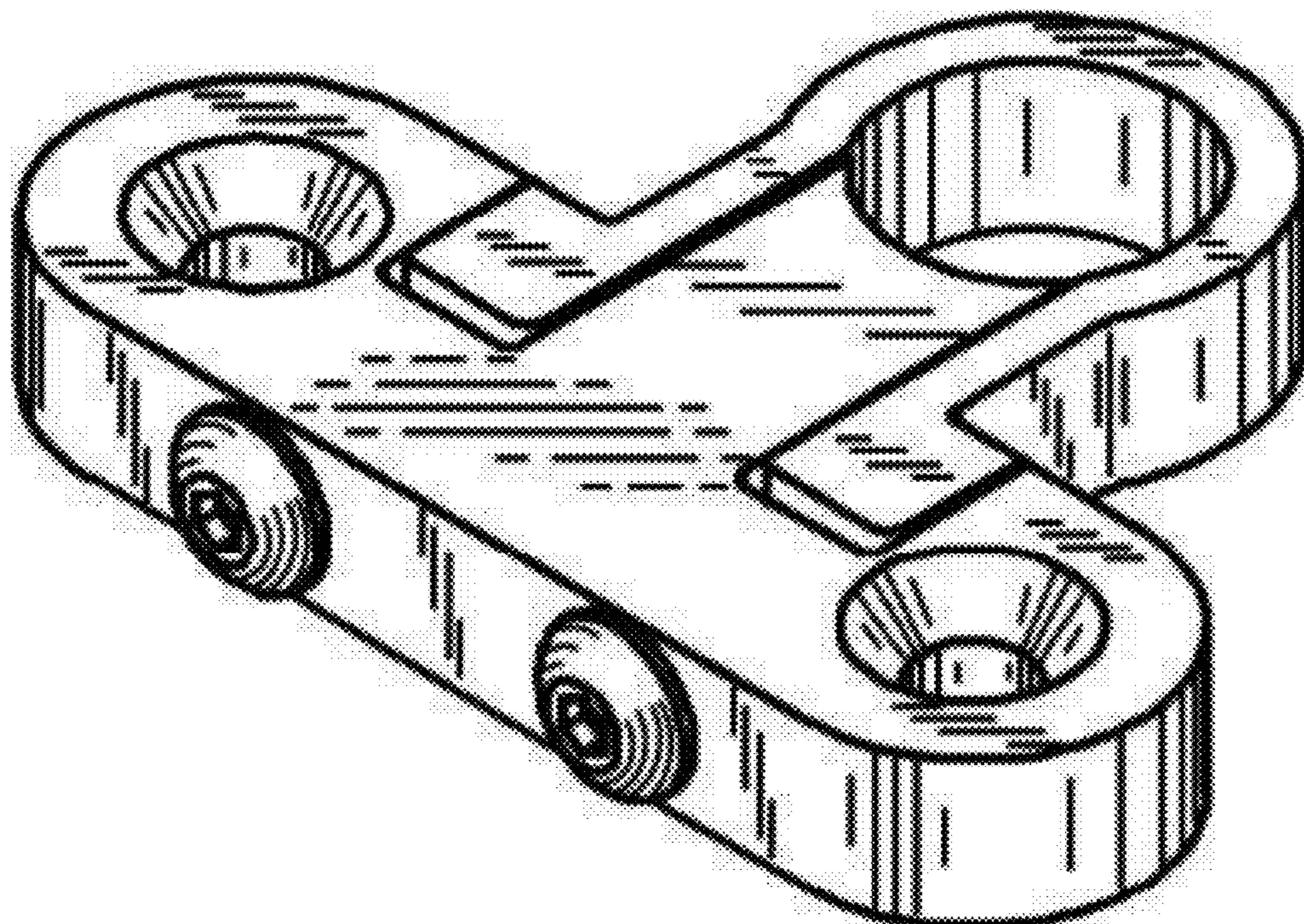
FIG. 1 is a top, right side and front perspective view of a mounting bracket;
FIG. 2 is a top view of the bracket of FIG. 1;
FIG. 3 is a bottom view of the bracket of FIG. 1;
FIG. 4 is a left side view of the bracket of FIG. 1;
FIG. 5 is a right side view of the bracket of FIG. 1;
FIG. 6 is a rear view of the bracket of FIG. 1; and,
FIG. 7 is a front view of the bracket of FIG. 1.

1 Claim, 2 Drawing Sheets

(56) **References Cited**

U.S. PATENT DOCUMENTS

D308,467 S *	6/1990	Fenton	D8/367
D514,431 S *	2/2006	Tanaka	D8/354
D592,508 S *	5/2009	Perignon	D9/434
D593,411 S *	6/2009	Bizzell	D9/434
D594,399 S *	6/2009	Johnson	D12/400
D623,500 S *	9/2010	Langner	D8/349
D670,996 S *	11/2012	Rogers	D8/349



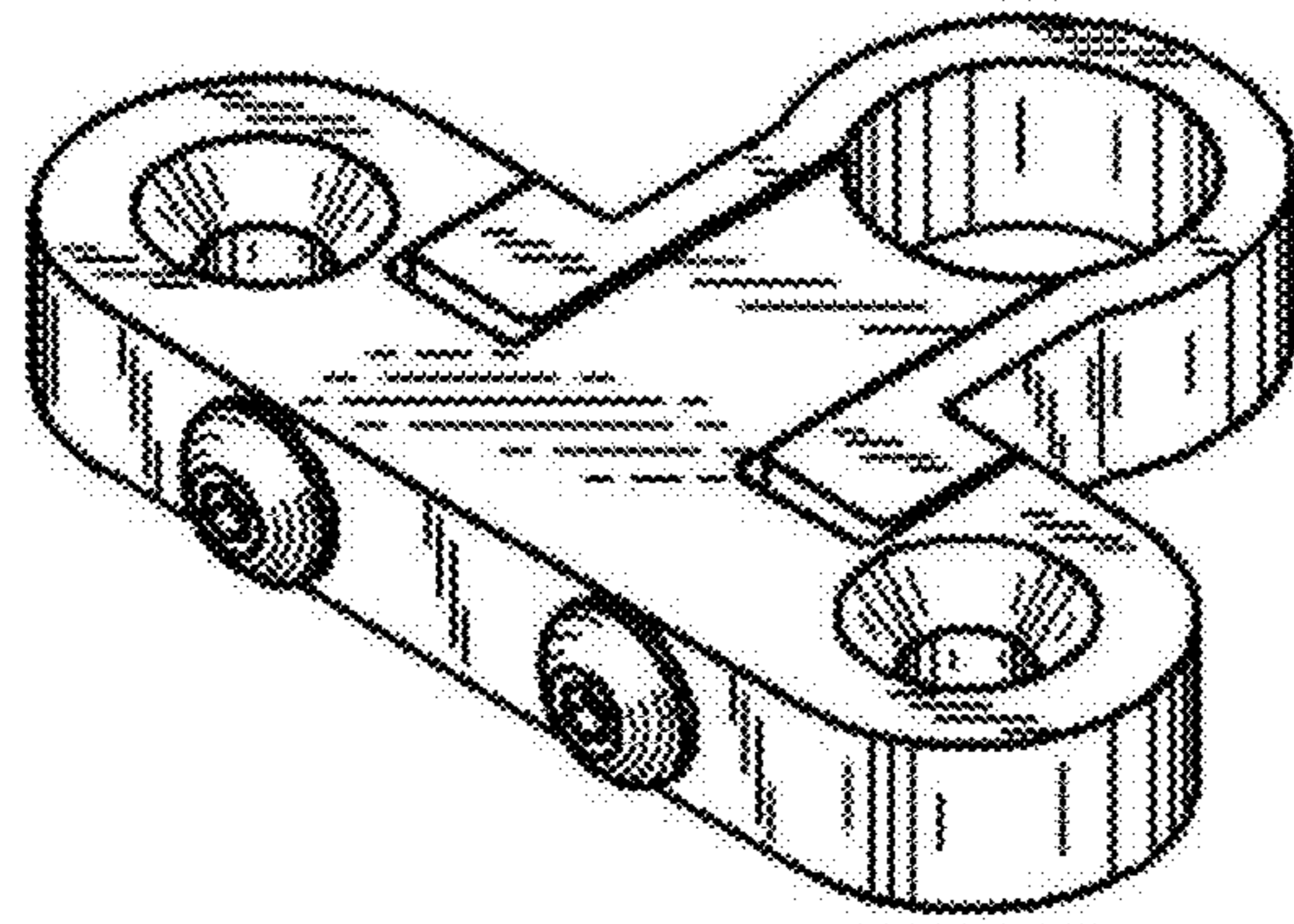


FIG. 1



FIG. 6

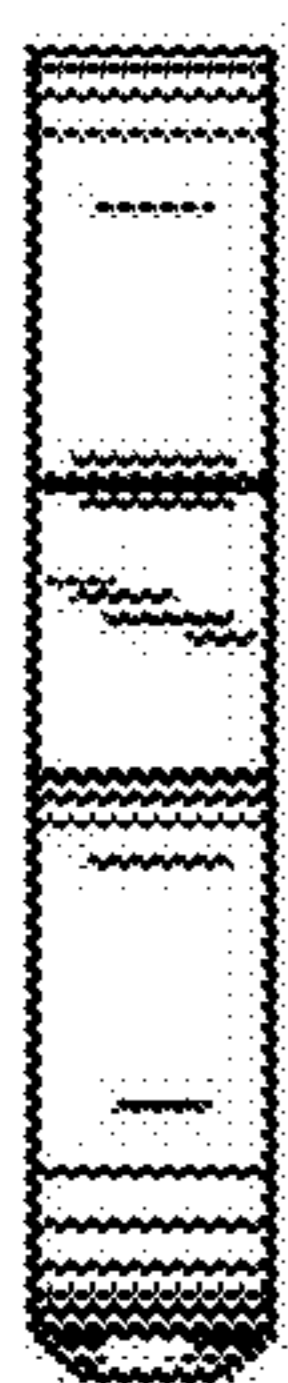


FIG. 4

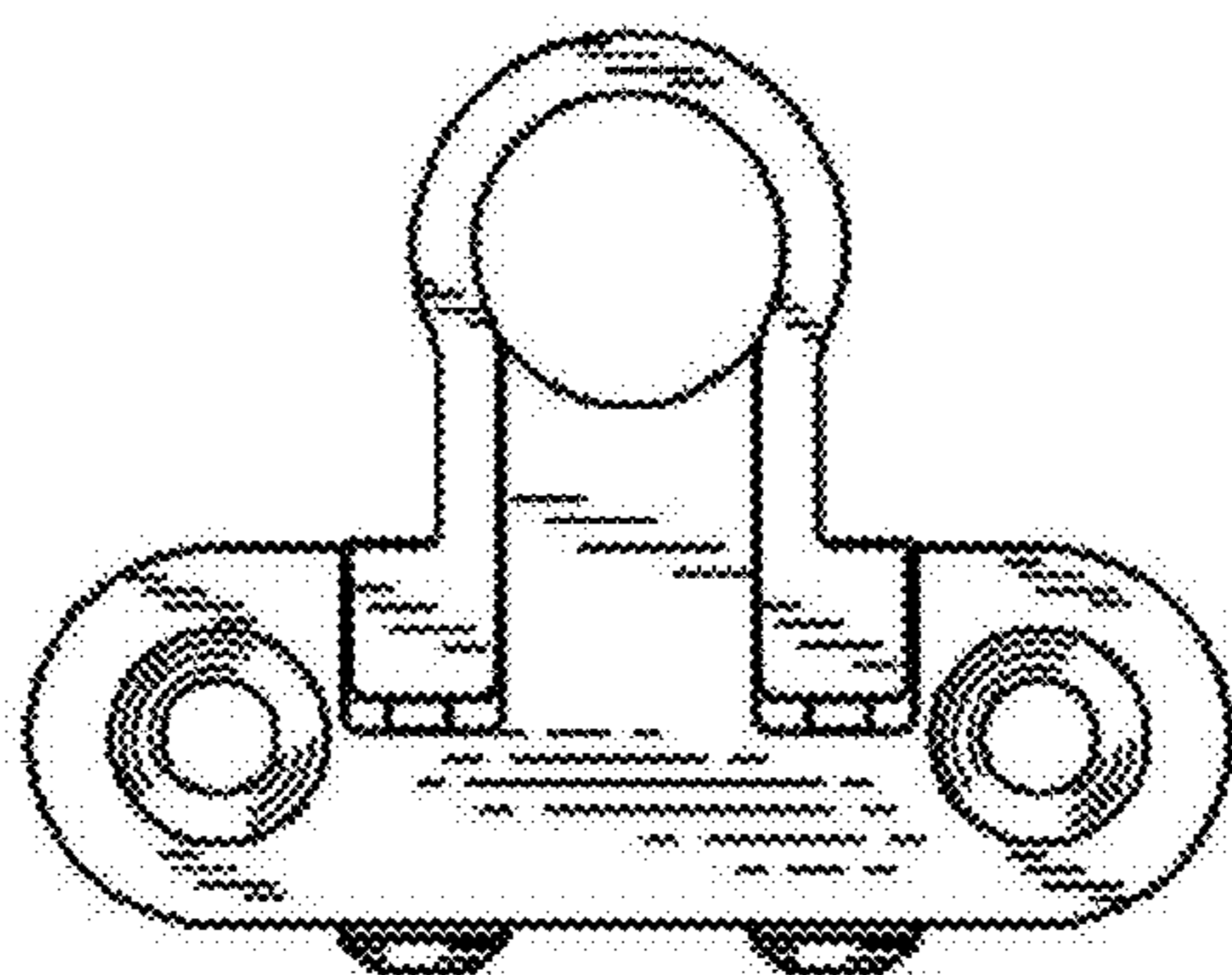


FIG. 2



FIG. 5

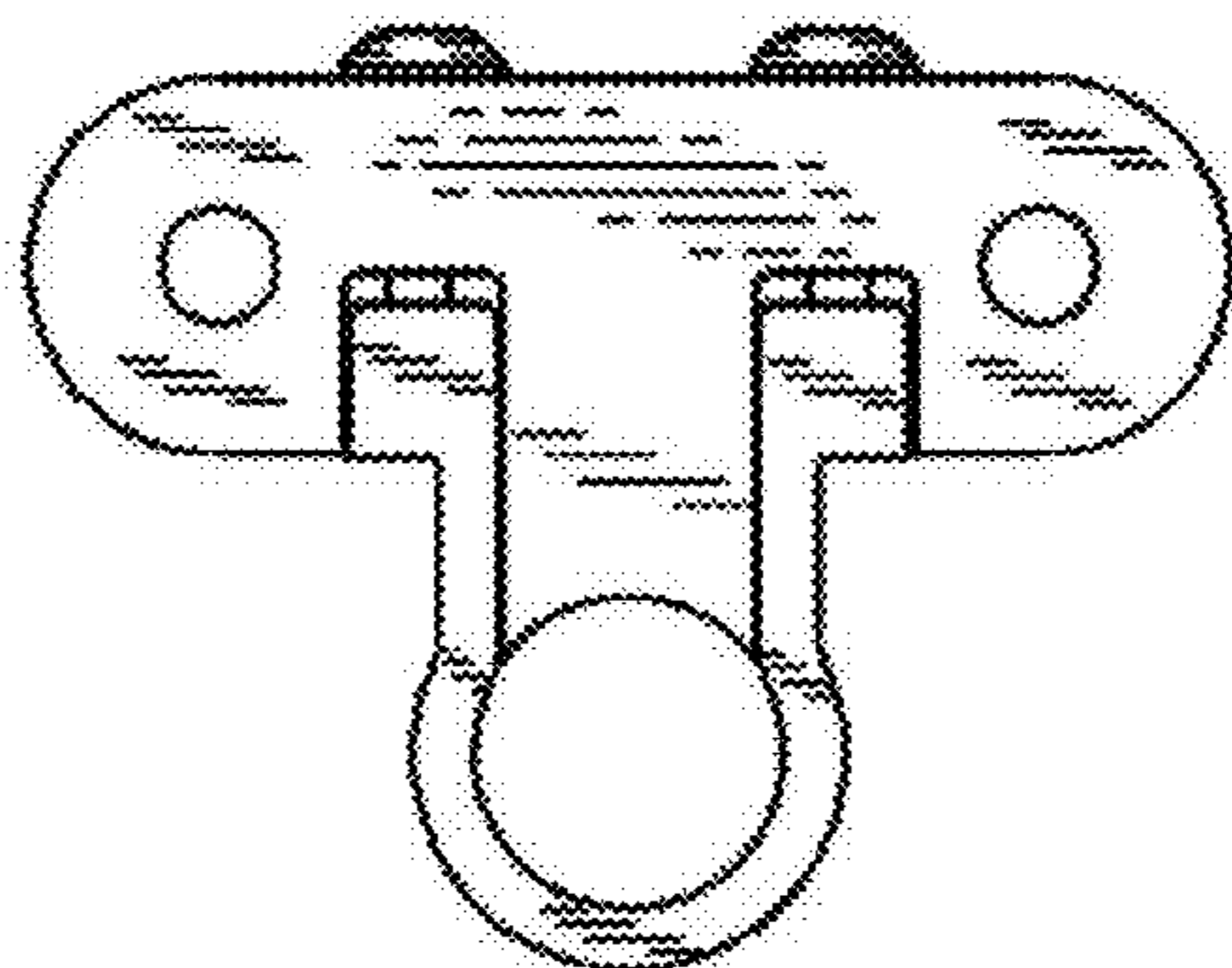


FIG. 3



FIG. 7