



US00D891224S

(12) **United States Design Patent**
Xiang et al.

(10) **Patent No.:** **US D891,224 S**

(45) **Date of Patent:** **** Jul. 28, 2020**

(54) **LOCK**

(71) Applicant: **Dezhao Xiang**, Shenzhen, Guangdong (CN)

(72) Inventors: **Dezhao Xiang**, Guangdong (CN);
Qiuzhi Yang, Guangdong (CN)

(73) Assignee: **Dezhao Xiang**, Shenzhen (CN)

(**) Term: **15 Years**

(21) Appl. No.: **29/675,042**

(22) Filed: **Dec. 28, 2018**

(51) **LOC (12) Cl.** **08-07**

(52) **U.S. Cl.**
USPC **D8/331**

(58) **Field of Classification Search**
USPC D8/330, 331
CPC E05B 3/00; E05B 3/04; E05B 3/06; E05B
9/10; E05B 2003/006; E05B 15/02
See application file for complete search history.

(56) **References Cited**

U.S. PATENT DOCUMENTS

6,981,726 B2 * 1/2006 Huang E05B 3/003
292/347
D635,444 S * 4/2011 Roberts, III D8/330

D670,553 S * 11/2012 Mahaffey D8/330
9,267,311 B2 * 2/2016 Huang E05B 3/003
D787,301 S * 5/2017 Bridgewater D8/331
D789,175 S * 6/2017 Manning et al. D8/330
9,765,548 B2 * 9/2017 Keller E05B 1/0007
10,099,830 B2 * 10/2018 Martinez A45C 13/18
D833,259 S * 11/2018 Tseng D8/352

* cited by examiner

Primary Examiner — Doris Clark

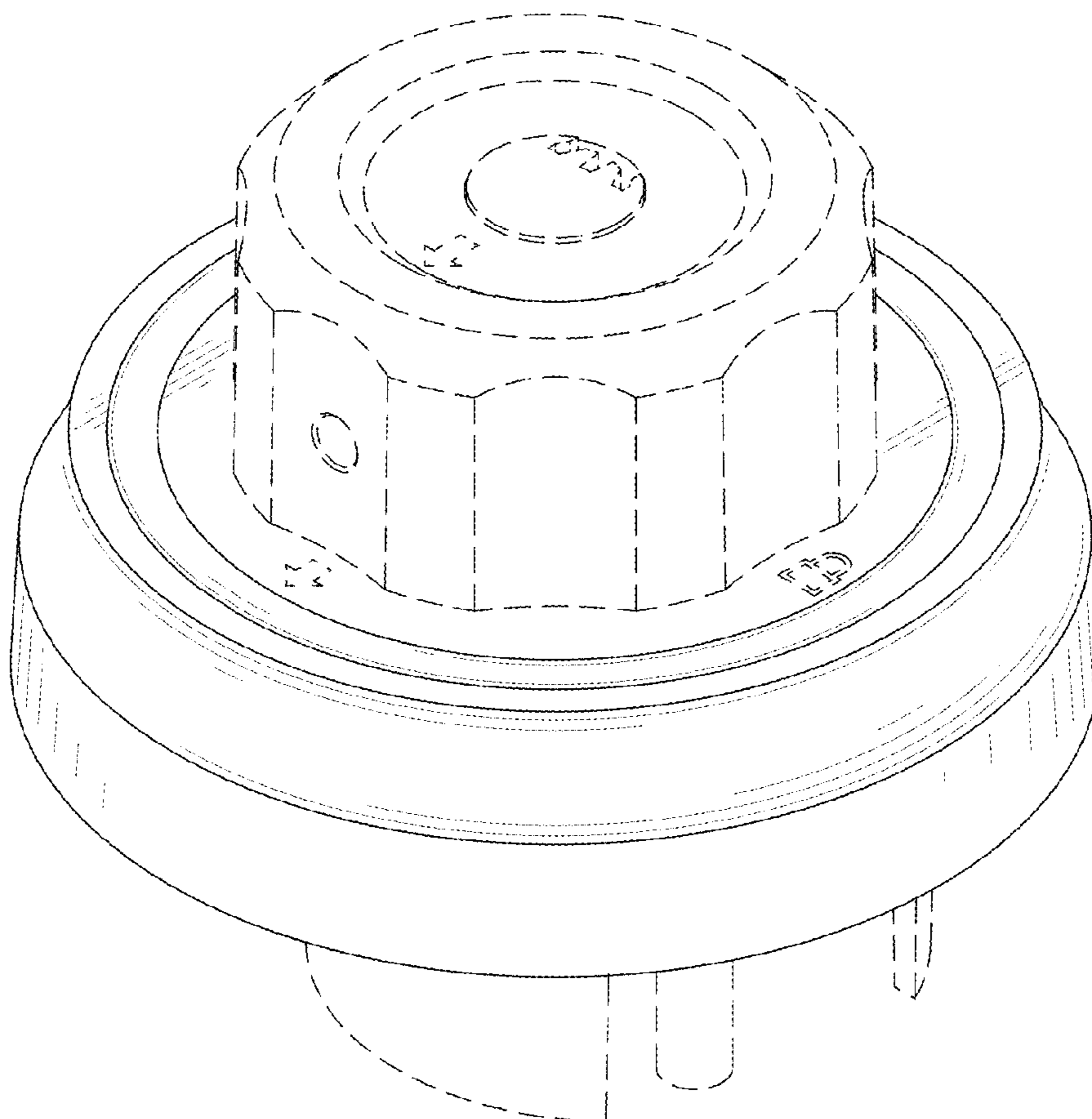
(57) **CLAIM**

The ornamental design for a lock, as shown and described.

DESCRIPTION

FIG. 1 is a top, front and right side perspective view of a lock showing our new design;
FIG. 2 is a bottom, rear and right side perspective view thereof;
FIG. 3 is a front elevational view thereof;
FIG. 4 is a rear elevational view thereof;
FIG. 5 is a left side view thereof;
FIG. 6 is a right side view thereof;
FIG. 7 is a top plan view thereof; and,
FIG. 8 is a bottom plan view thereof.
The broken lines in the drawings illustrate portions of the lock which form no part of the claimed design.

1 Claim, 8 Drawing Sheets



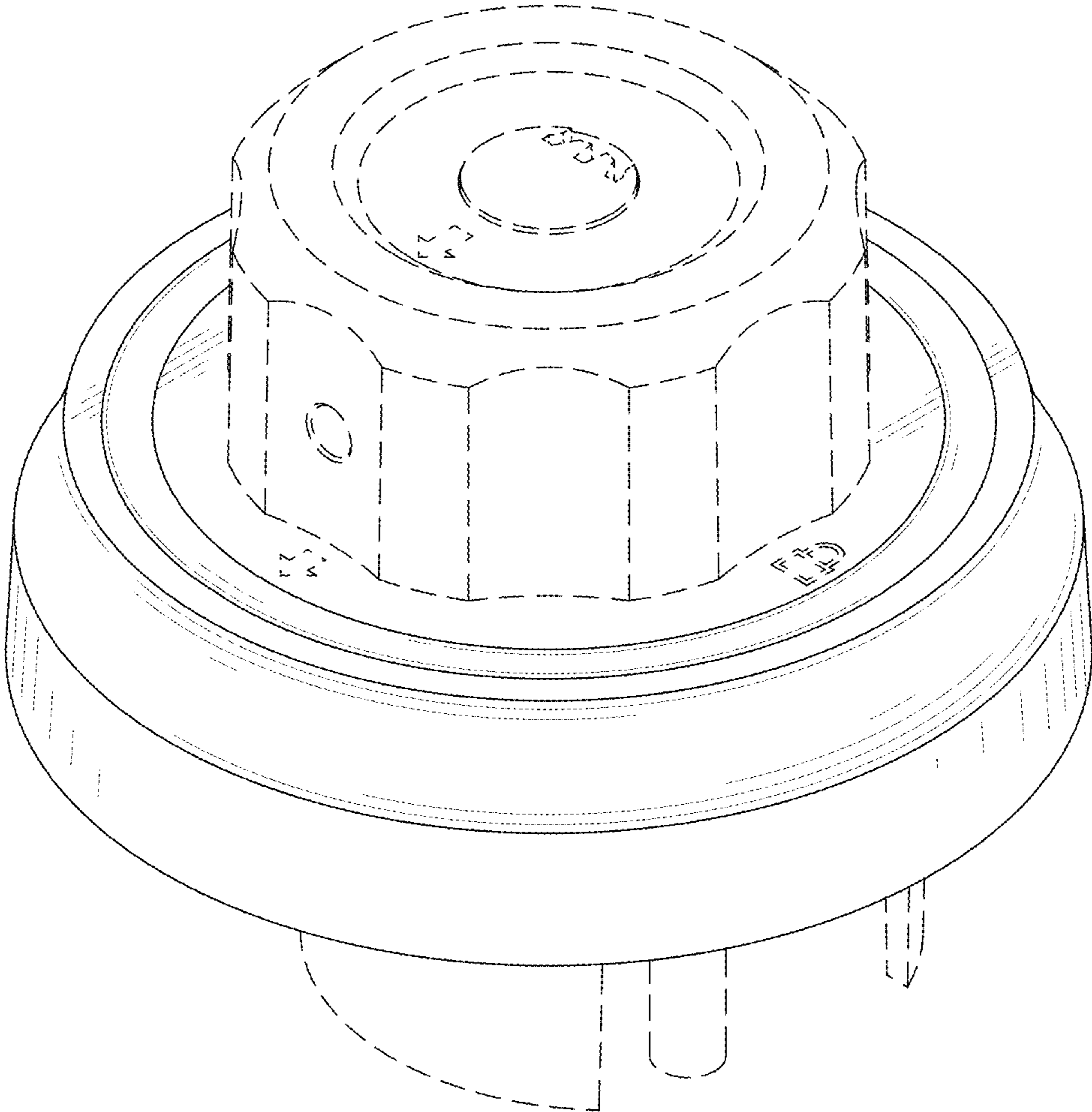


FIG. 1

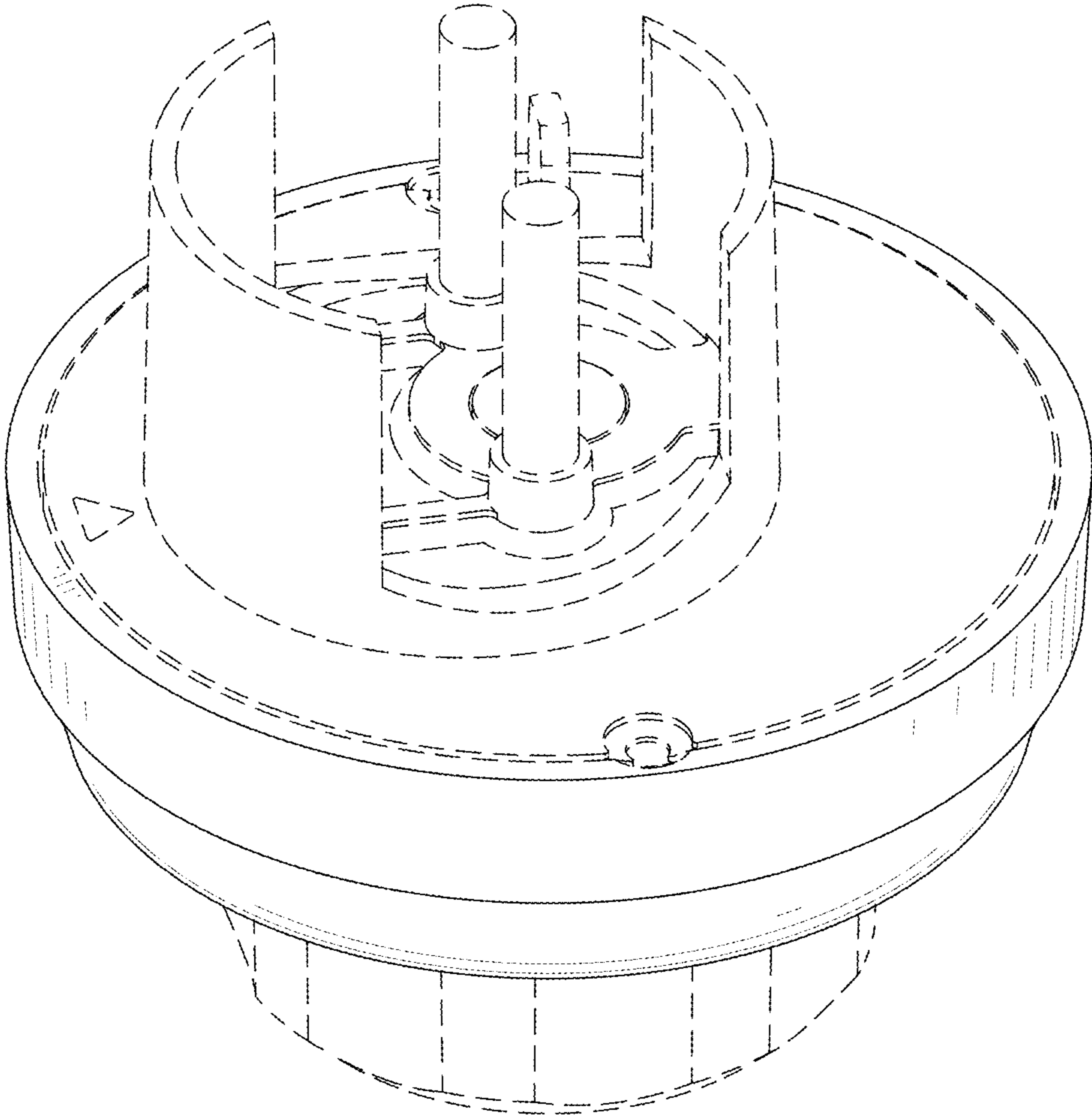


FIG. 2

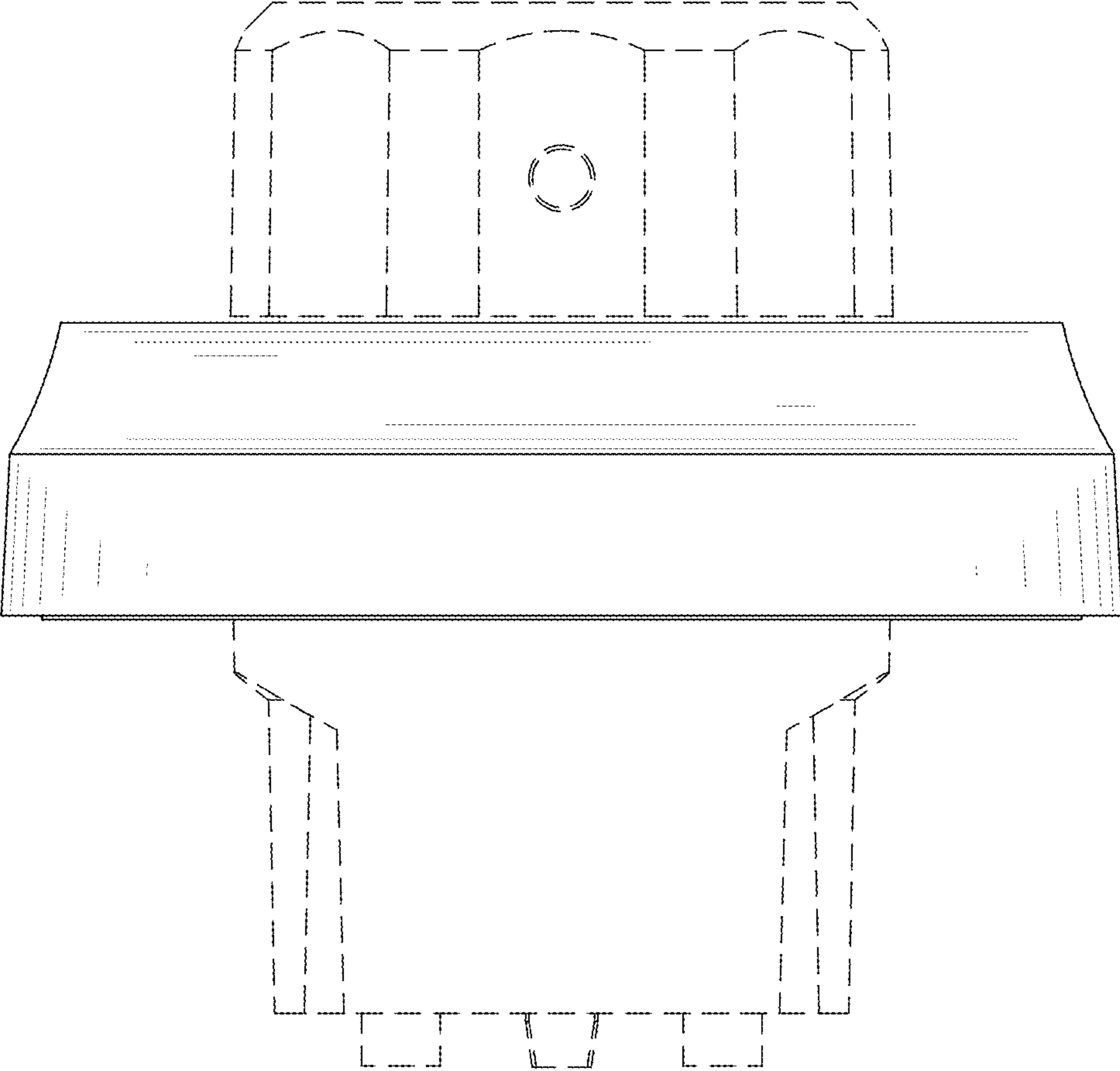


FIG. 3

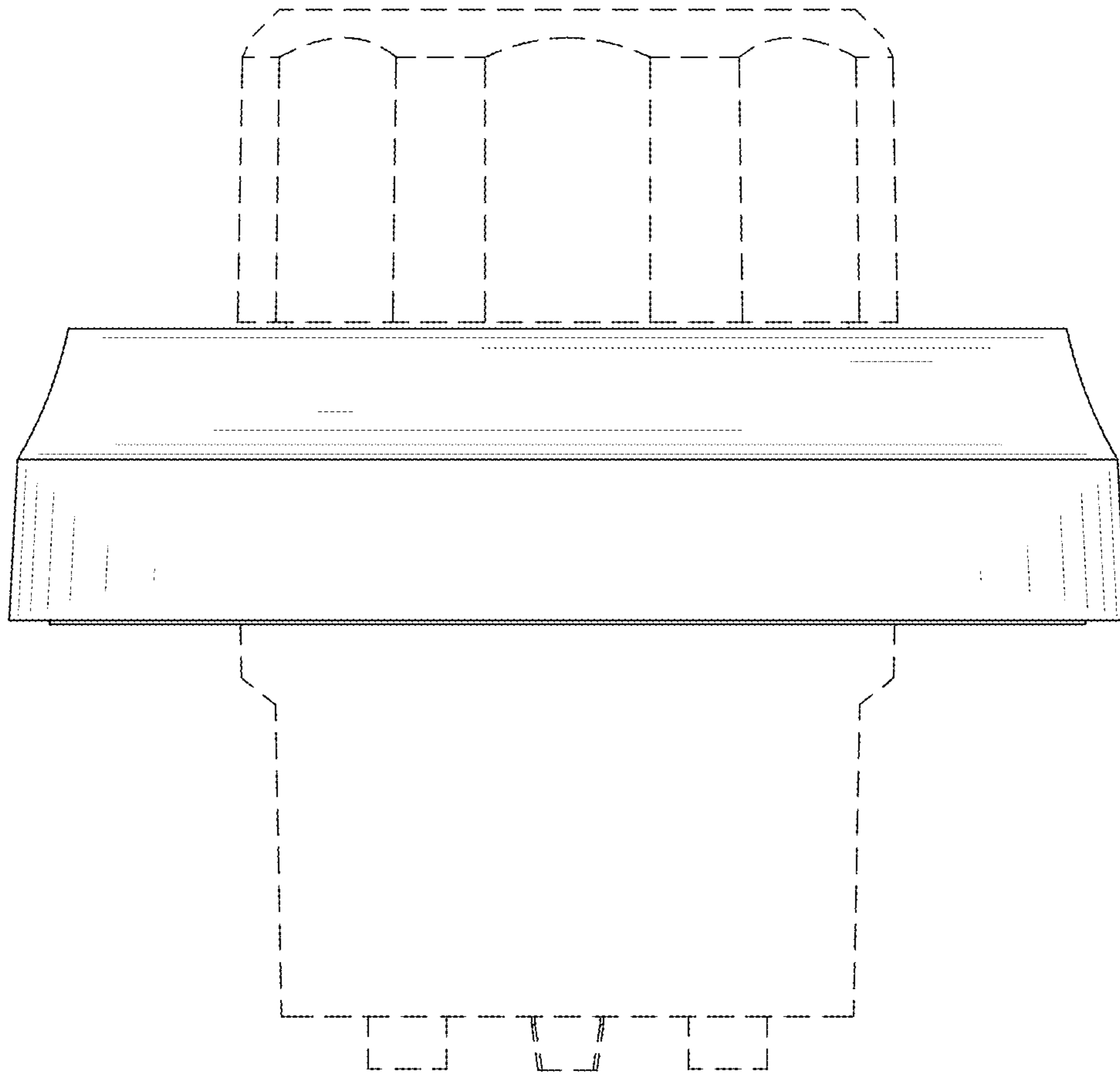


FIG. 4

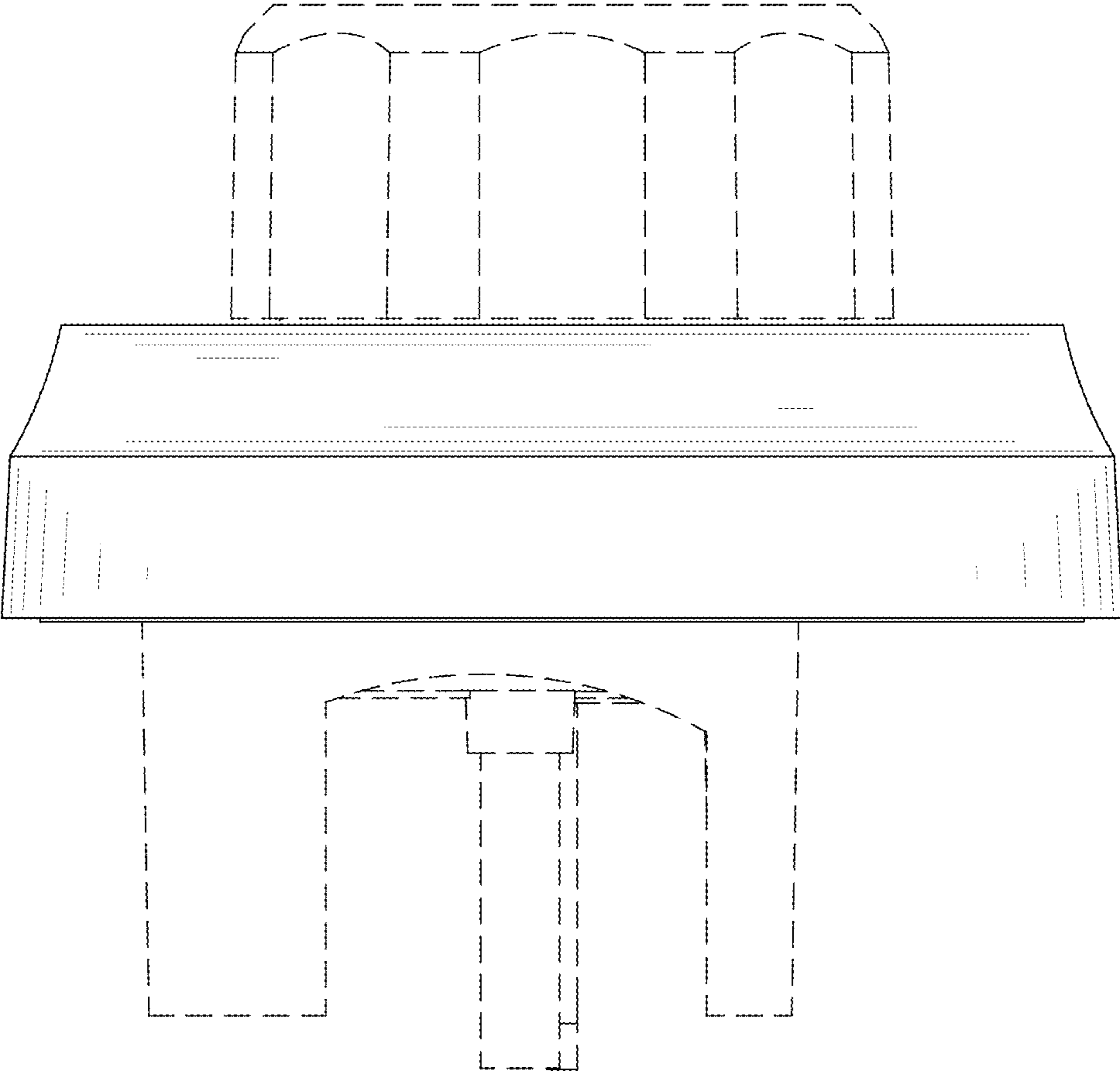


FIG. 5

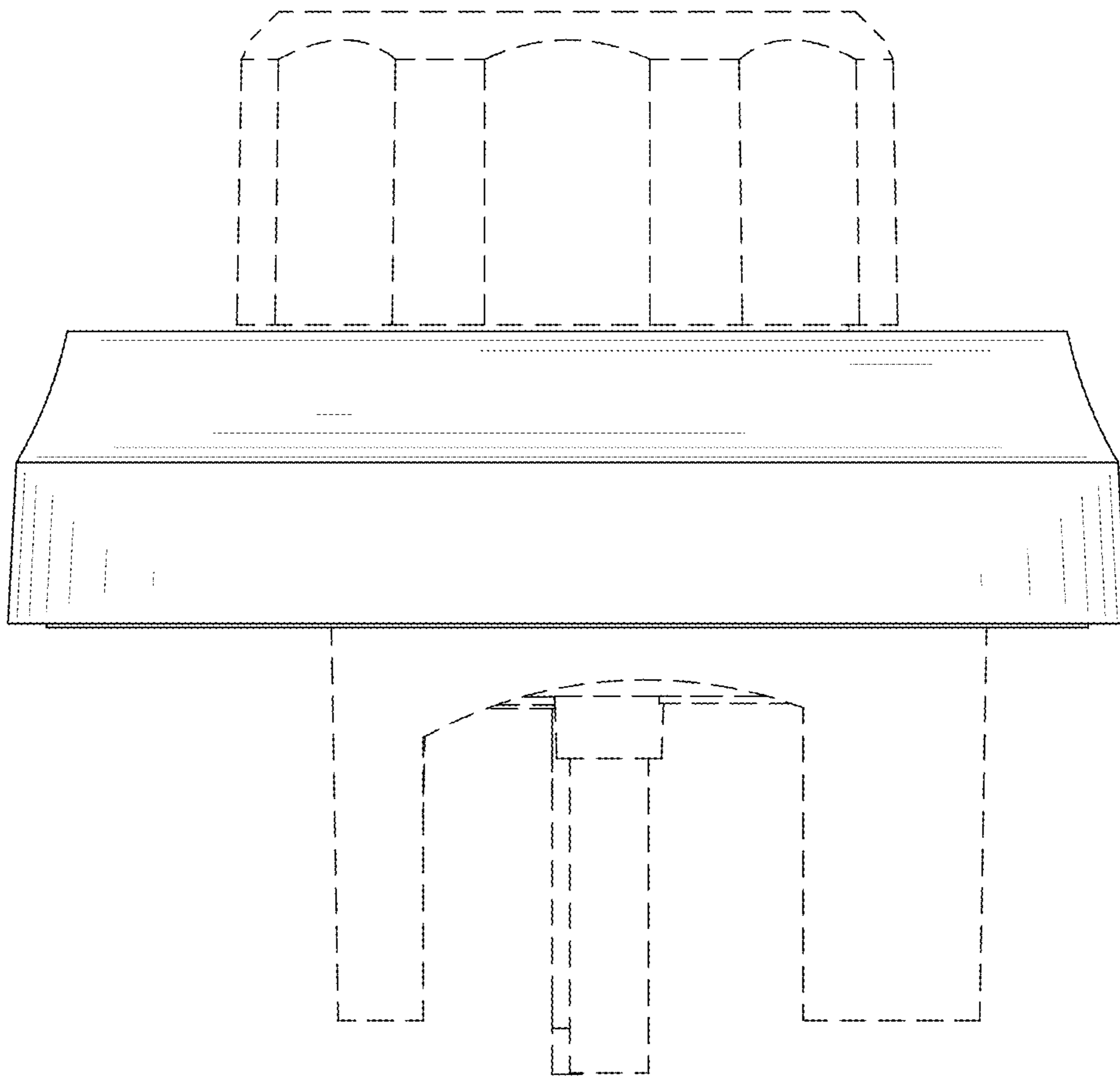


FIG. 6

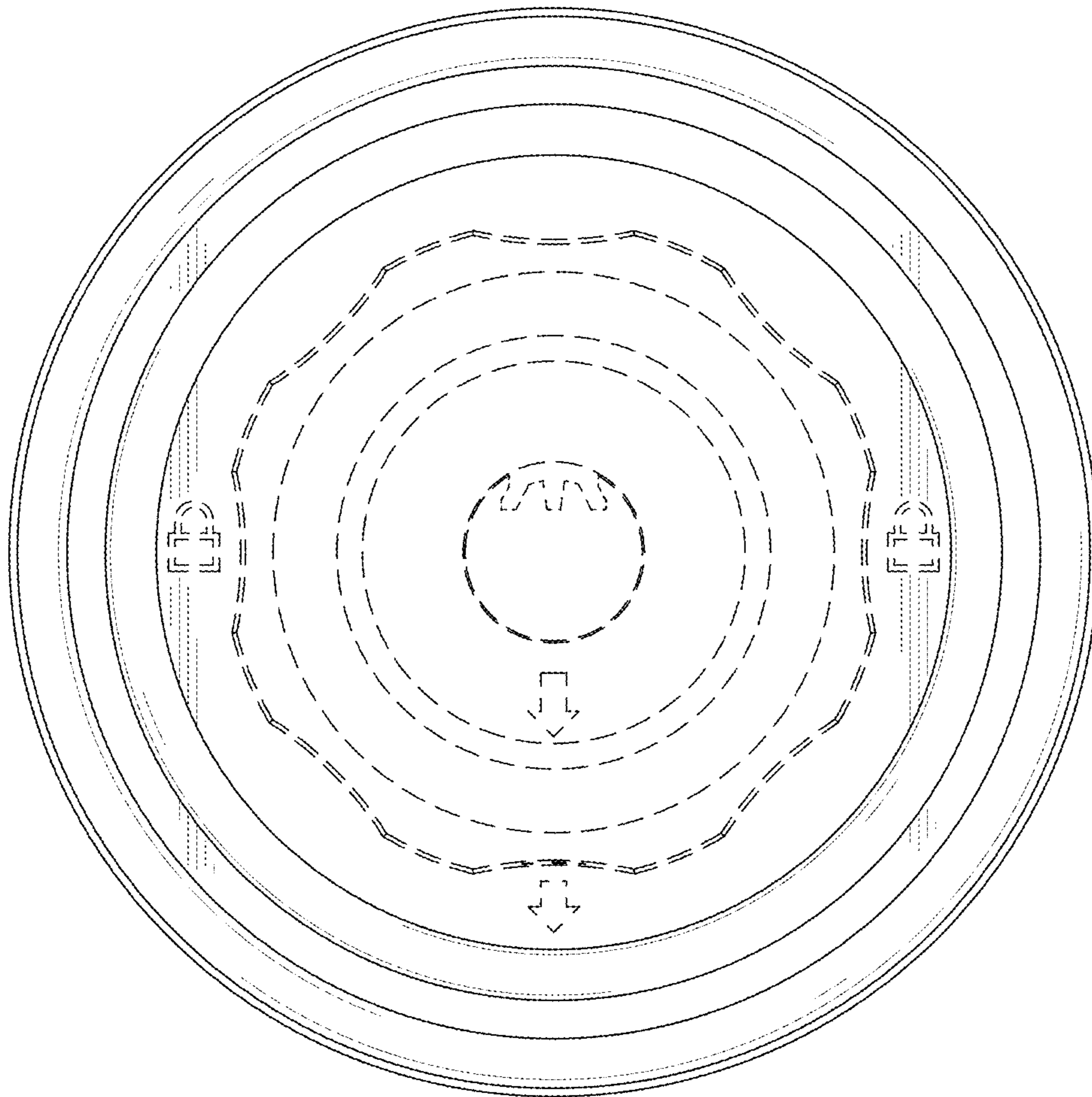


FIG. 7

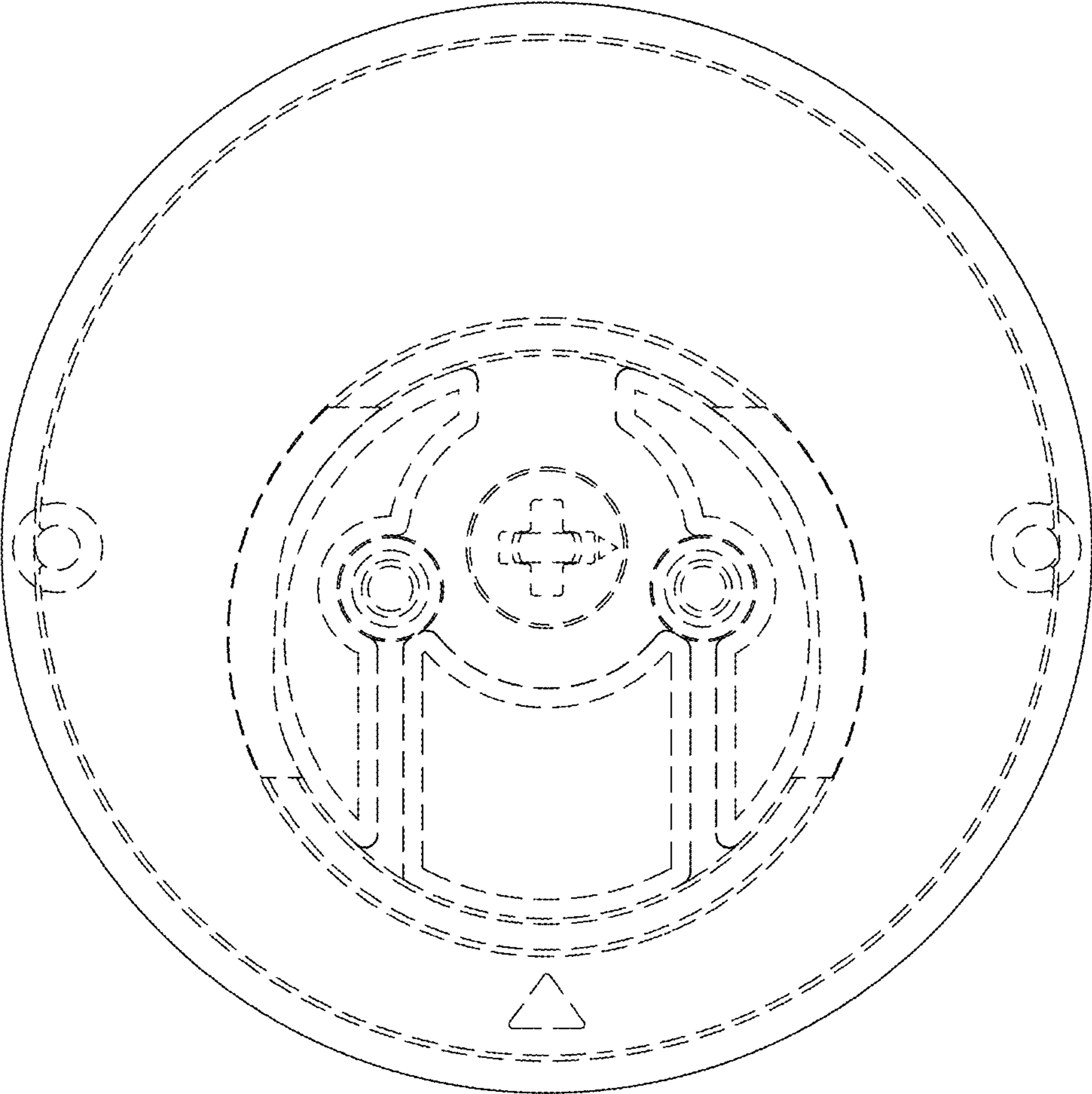


FIG. 8