



US00D891222S

(12) **United States Design Patent**  
**Alarcon**

(10) **Patent No.:** **US D891,222 S**

(45) **Date of Patent:** **\*\* Jul. 28, 2020**

(54) **GATE HINGE**

(71) Applicant: **Richard Alarcon**, Lakewood, CA (US)

(72) Inventor: **Richard Alarcon**, Lakewood, CA (US)

(\*\*) Term: **15 Years**

(21) Appl. No.: **29/634,536**

(22) Filed: **Jan. 23, 2018**

(51) **LOC (12) Cl.** ..... **08-06**

(52) **U.S. Cl.**  
USPC ..... **D8/323**

(58) **Field of Classification Search**  
USPC ..... D8/323  
CPC .. E05D 1/00; E05D 11/06; E05D 5/11; E05D  
3/02; A47K 13/12  
See application file for complete search history.

(56) **References Cited**

**U.S. PATENT DOCUMENTS**

D140,298 S *	2/1945	Wilson	.....	D8/323
D222,234 S *	10/1971	Imber	.....	D8/323
4,382,312 A *	5/1983	Liggett	.....	E05D 3/06 16/288
D335,622 S *	5/1993	Millsap	.....	D8/323
6,134,751 A *	10/2000	Carrier	.....	E05D 15/44 16/235
D458,626 S *	6/2002	Desbiez-Piat	.....	D16/334
D500,660 S *	1/2005	Larner	.....	D8/323
7,100,245 B2 *	9/2006	Wohlfarth	.....	E05D 3/10 16/367
D624,388 S *	9/2010	Eland	.....	D8/323
8,225,460 B2 *	7/2012	Hooton	.....	E05D 3/10 16/309
D683,609 S *	6/2013	Frank	.....	D8/323
D715,620 S *	10/2014	Tung	.....	D8/323
D717,633 S *	11/2014	Lu	.....	D8/323
D717,634 S *	11/2014	Lu	.....	D8/323
D719,434 S *	12/2014	Lu	.....	D8/323
D719,810 S *	12/2014	Lu	.....	D8/323

D744,313 S *	12/2015	Lu	.....	D8/323
D744,808 S *	12/2015	Lu	.....	D8/323
D744,809 S *	12/2015	Lu	.....	D8/323
D758,164 S *	6/2016	Lu	.....	D8/323
D784,795 S *	4/2017	Ravaioli	.....	D8/355
D804,276 S *	12/2017	Lu	.....	D8/323
D804,277 S *	12/2017	Lu	.....	D8/323
2016/0040463 A1 *	2/2016	Gramstad	.....	E05D 5/128 16/382
2016/0040464 A1 *	2/2016	Lu	.....	A47C 7/38 16/250
2019/0000285 A1 *	1/2019	Xu	.....	A47K 13/12

\* cited by examiner

*Primary Examiner* — Cynthia R Underwood

(74) *Attorney, Agent, or Firm* — Grant's Law Firm; Allan Grant

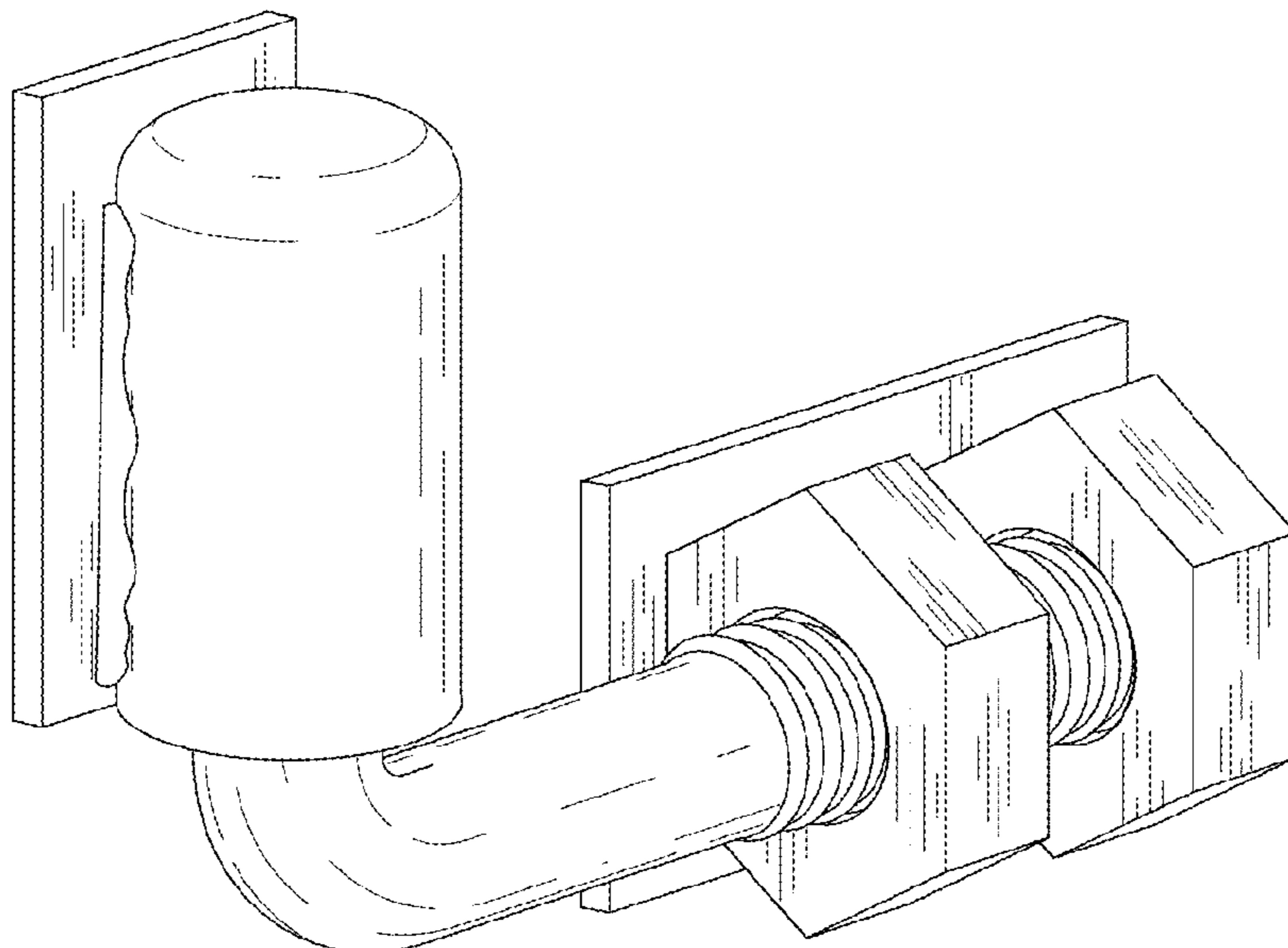
(57) **CLAIM**

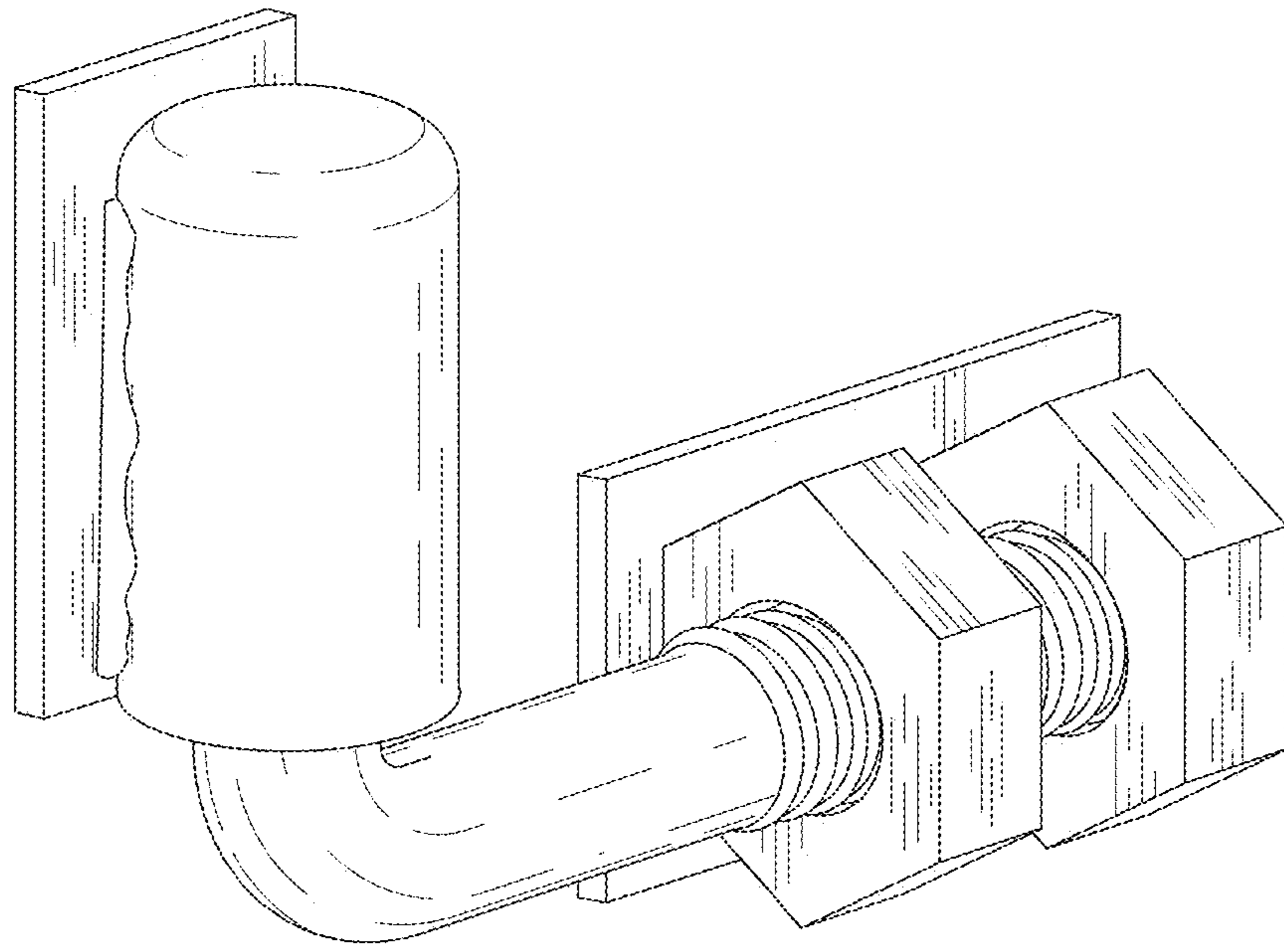
I claim the ornamental design for a gate hinge, as shown and as described.

**DESCRIPTION**

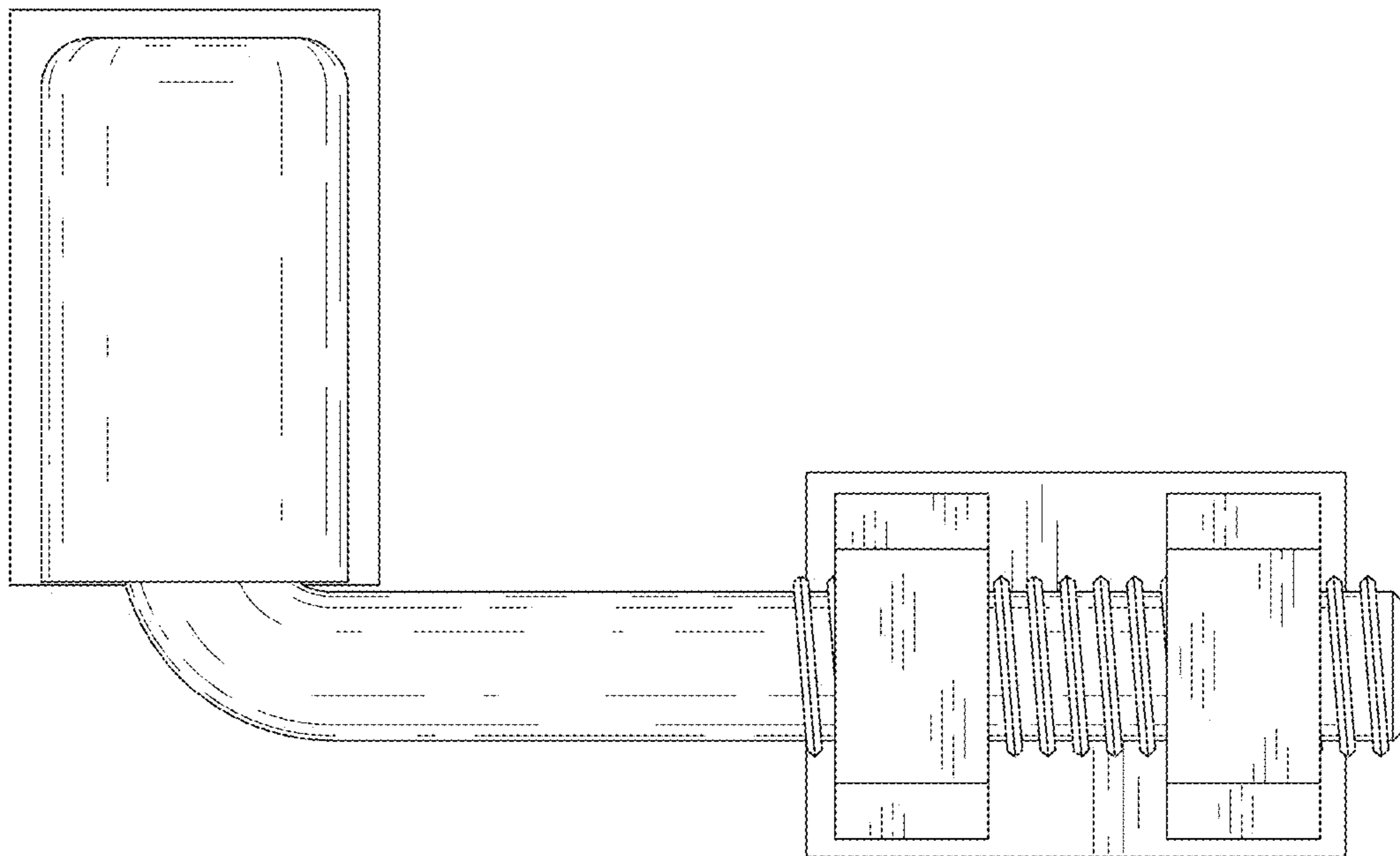
FIG. 1 is a perspective view of the gate hinge.  
 FIG. 2 is the front view of the gate hinge.  
 FIG. 3 is a back view of the gate hinge.  
 FIG. 4 is a side view of the gate hinge.  
 FIG. 5 is the other side view of the gate hinge.  
 FIG. 6 is a top view of the gate hinge.  
 FIG. 7 is bottom view of the gate hinge.  
 FIG. 8 is a perspective view of the gate hinge shown reduced in scale;  
 FIG. 9 is a reduced in scale perspective view of an alternative configuration of use of the gate hinge, showing marker lines where the FIG. 10 was taken from; and,  
 FIG. 10 is an enlarged view of the gate hinge shown within the marker in FIG. 9 thereof.  
 The broken lines represent an environment of use for the gate hinge and form no part of the claim.

**1 Claim, 6 Drawing Sheets**

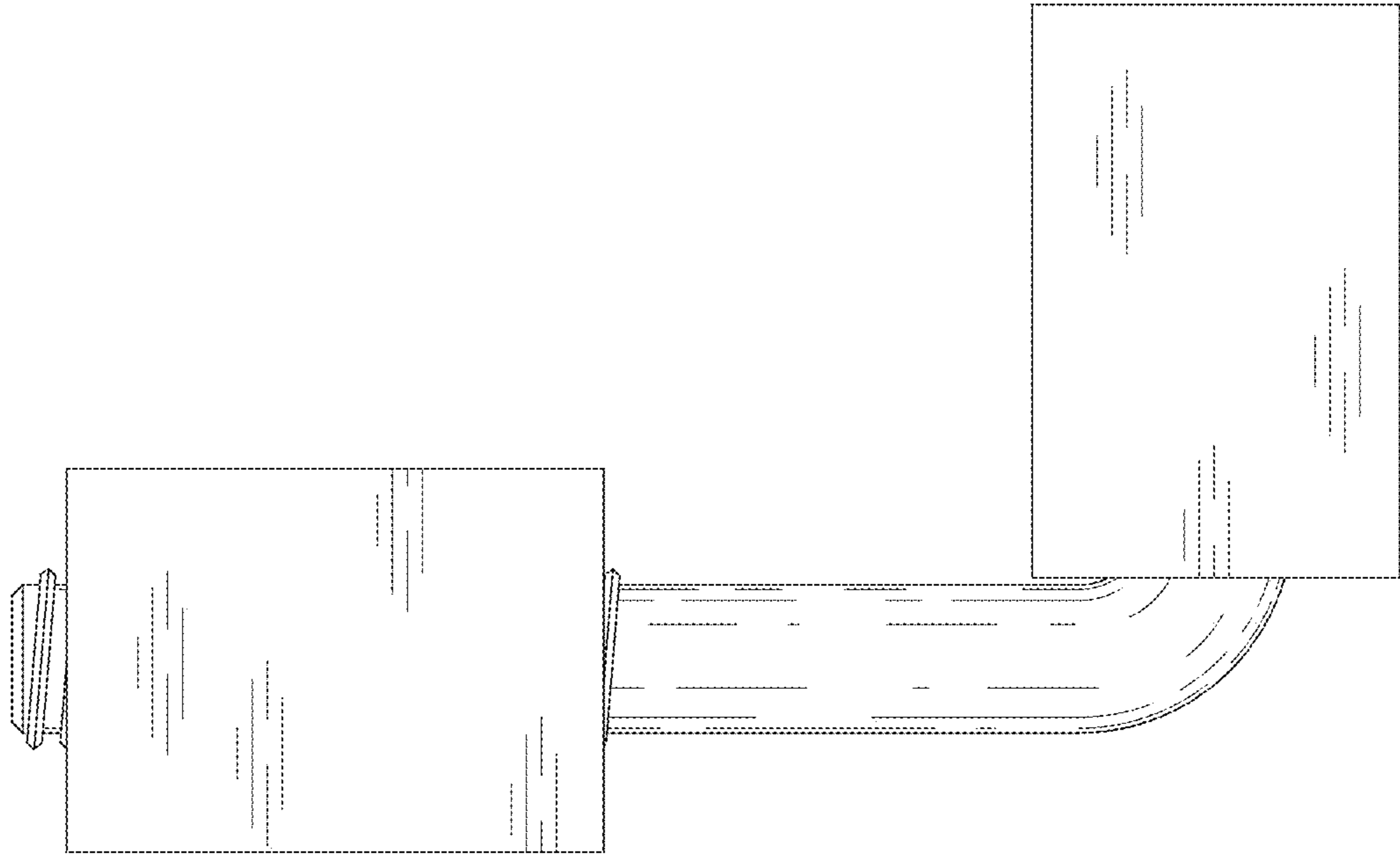




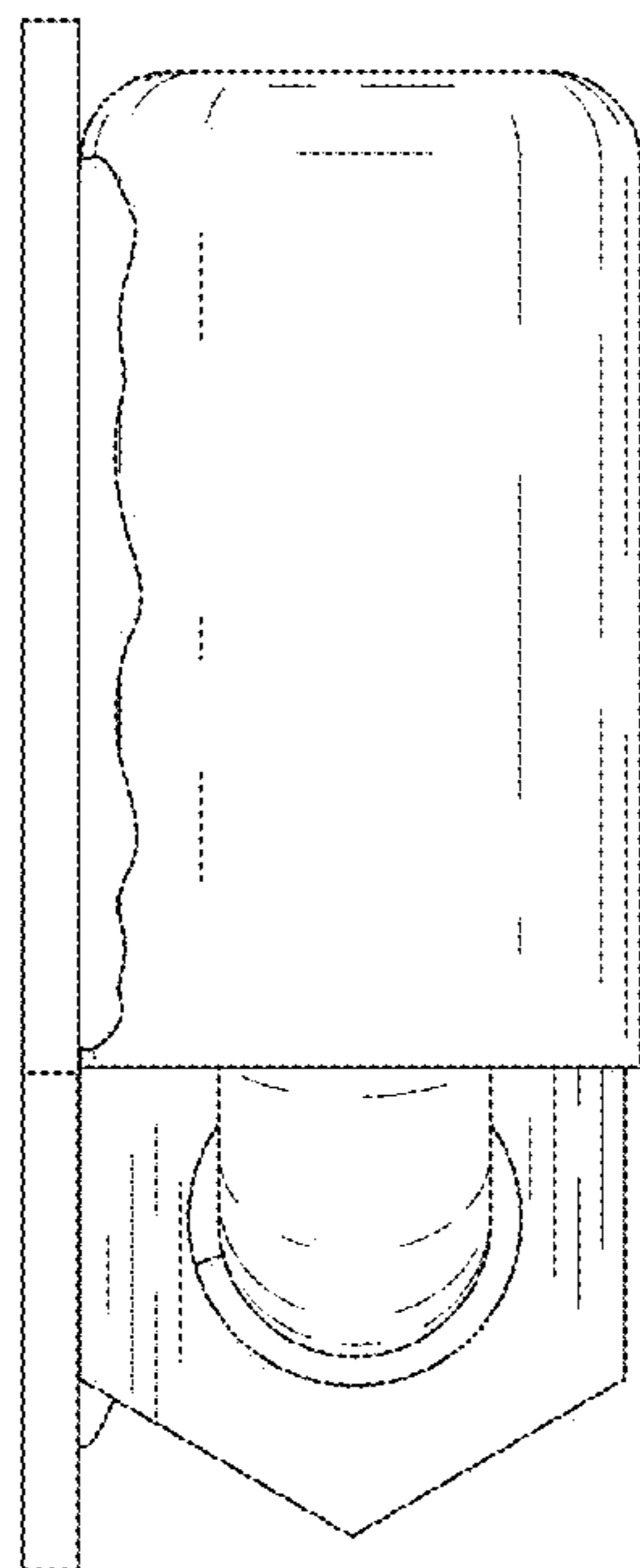
*Fig. 1*



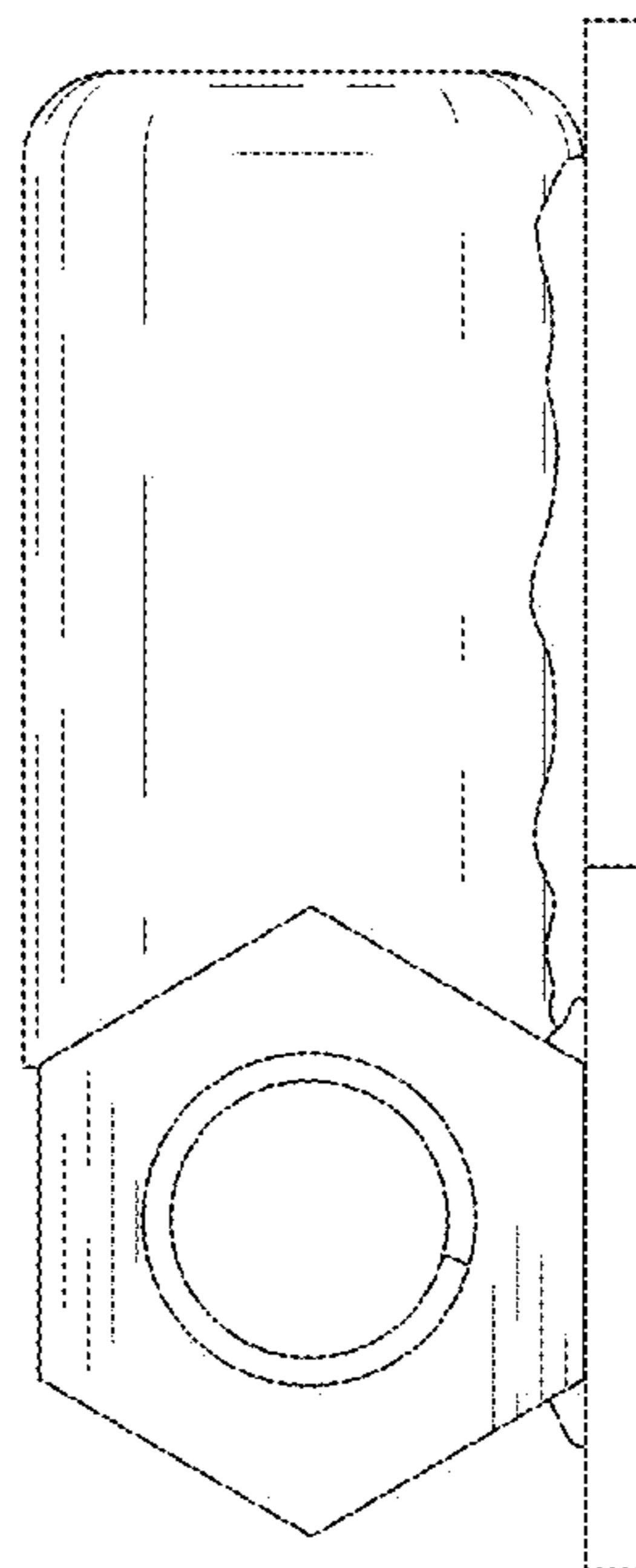
*Fig. 2*



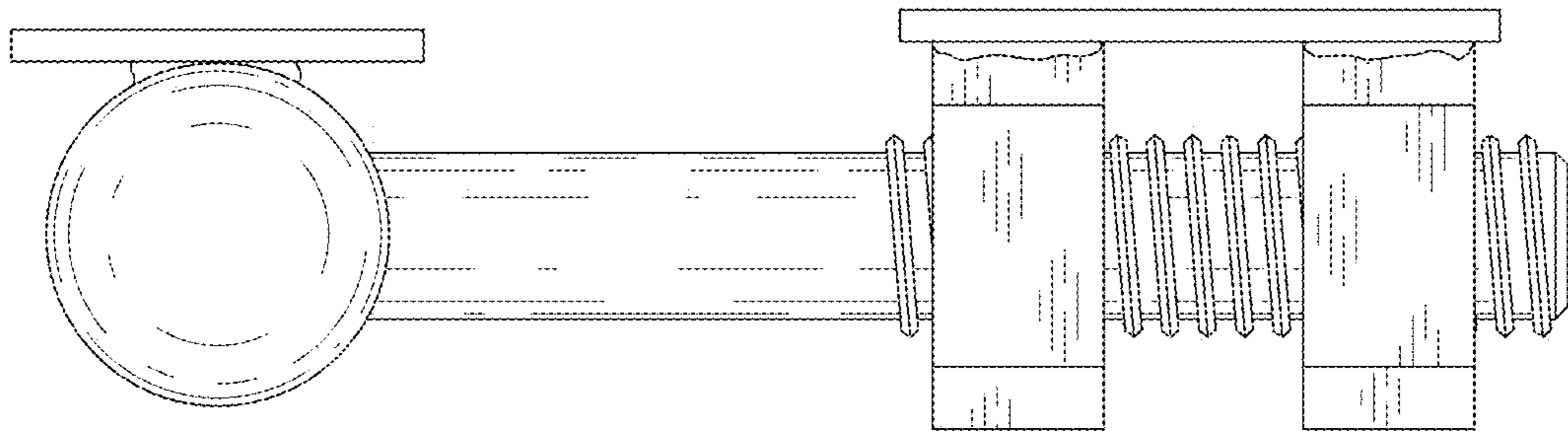
*Fig. 3*



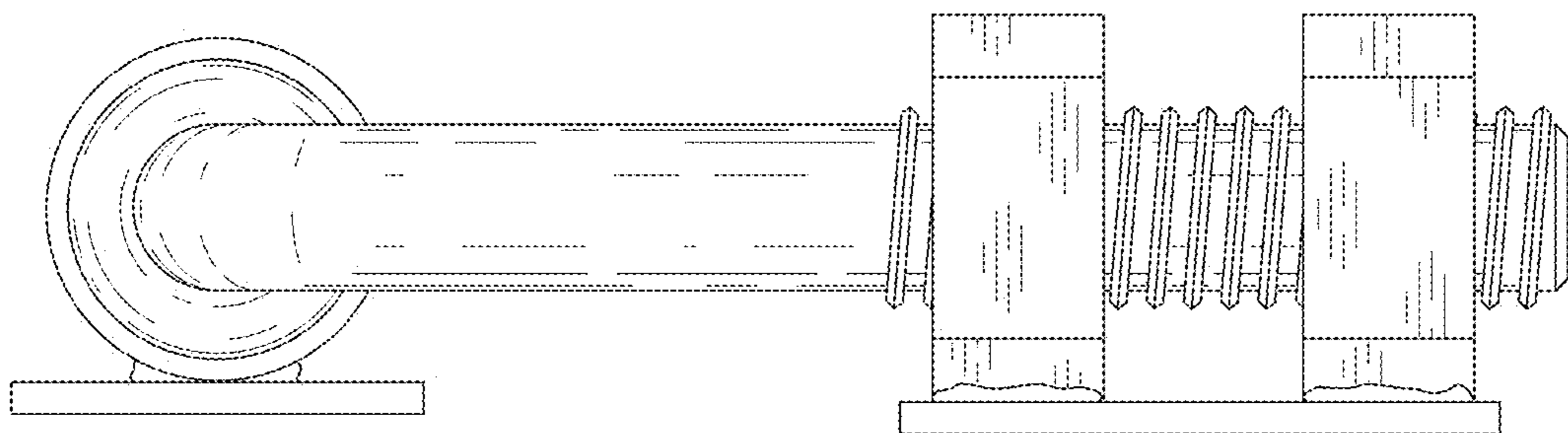
*Fig. 4*



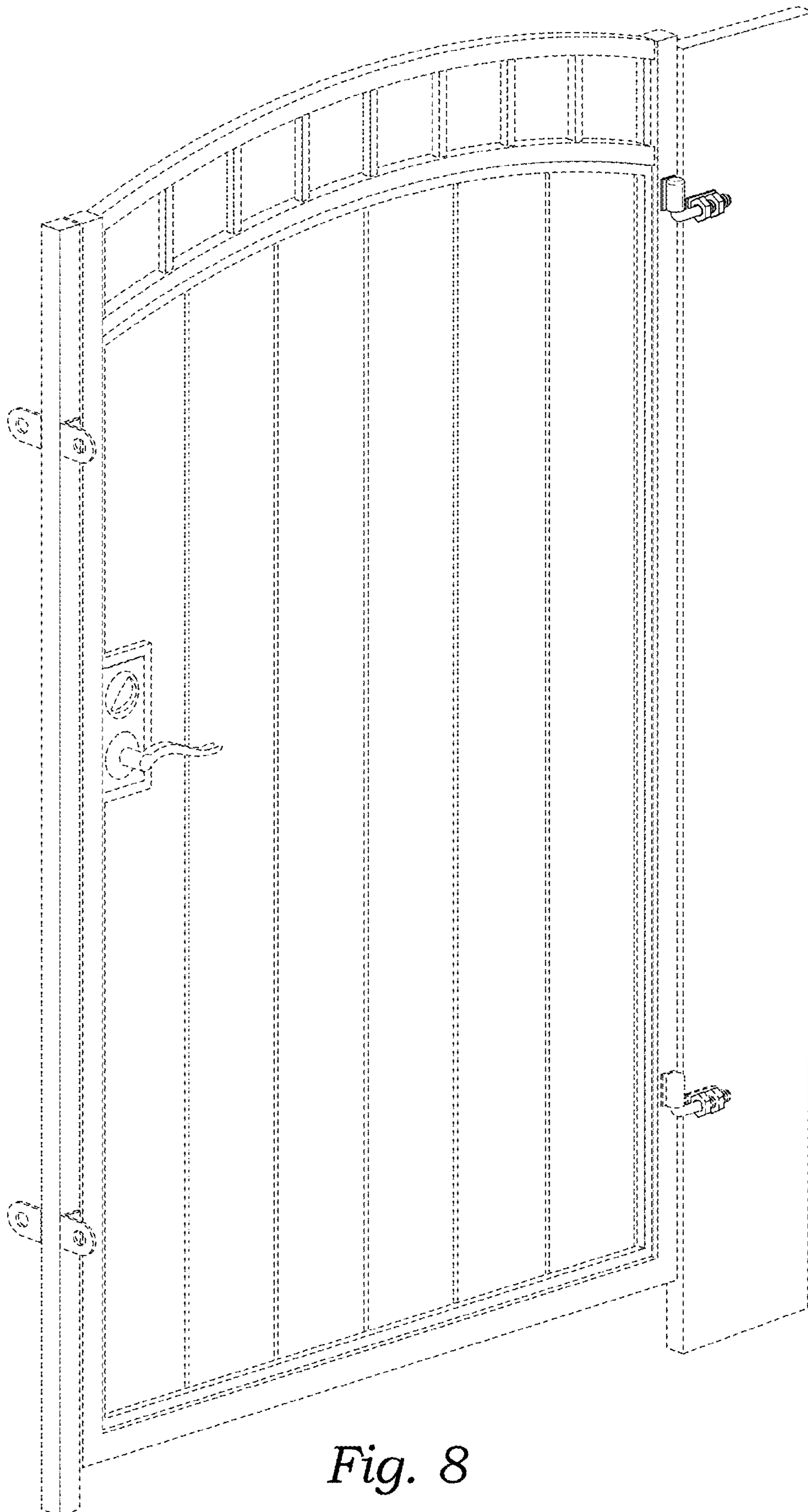
*Fig. 5*



*Fig. 6*



*Fig. 7*



*Fig. 8*

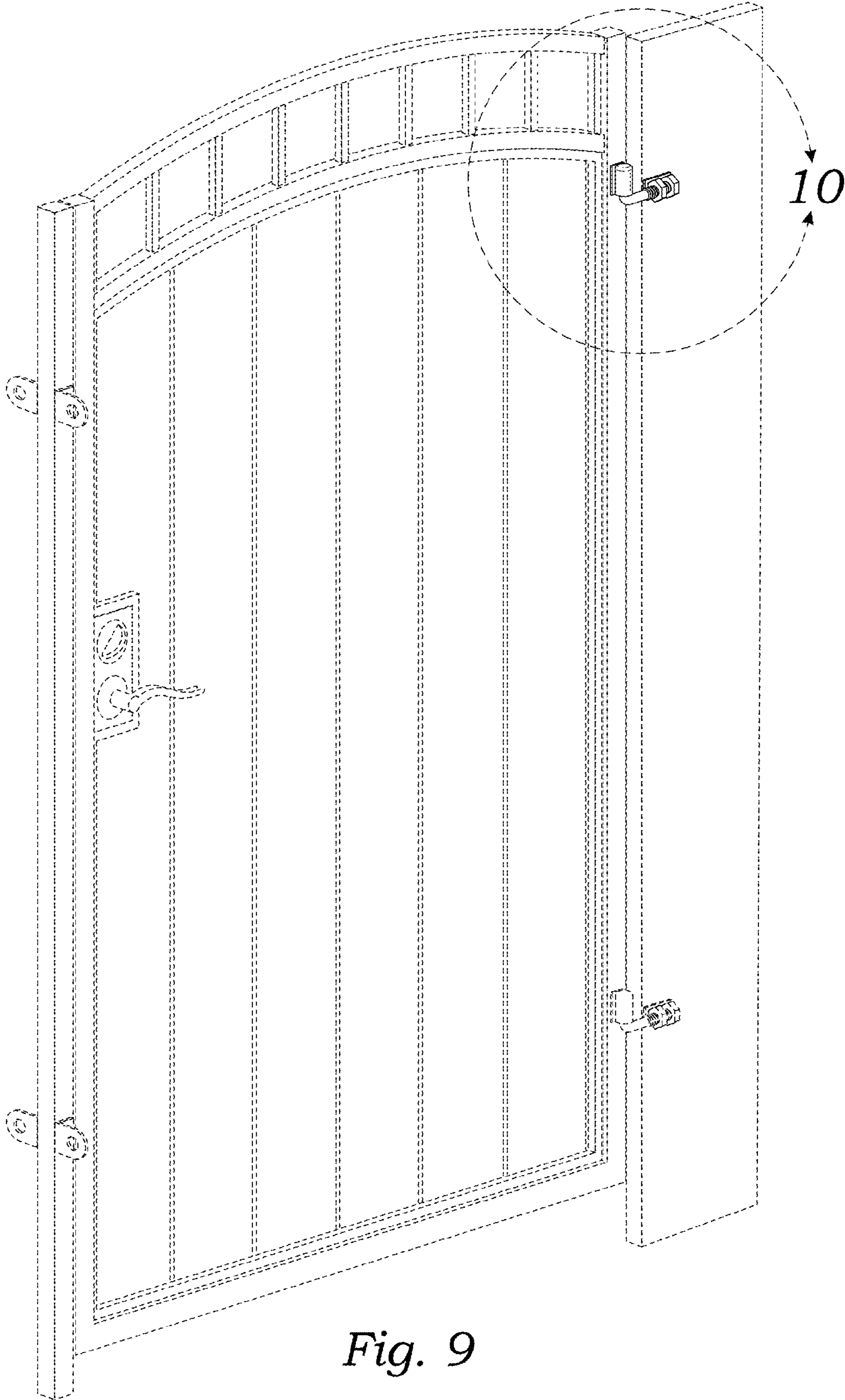
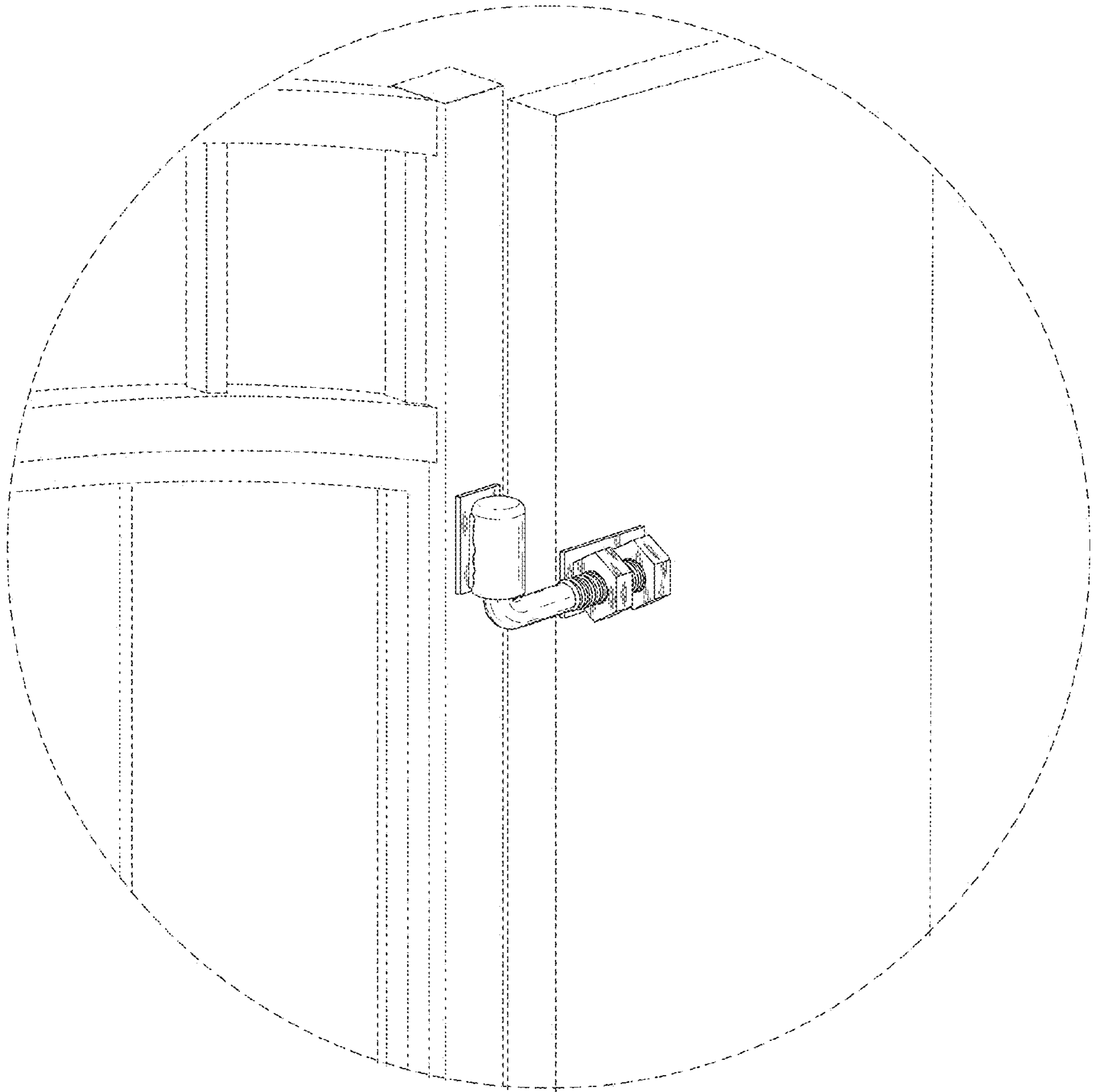


Fig. 9



*Fig. 10*