



US00D891221S

(12) **United States Design Patent**
Griswold et al.

(10) **Patent No.:** **US D891,221 S**
(45) **Date of Patent:** **** Jul. 28, 2020**

(54) **EXIT DEVICE**

D297,806 S 9/1988 Mohn
4,796,931 A 1/1989 Heid
4,961,330 A 10/1990 Evans

(71) Applicant: **ASSA ABLOY Access and Egress Hardware Group, Inc.**, New Haven, CT (US)

(Continued)

(72) Inventors: **Lee Griswold**, Bethel, CT (US); **Sean Svendsen**, Sunbury, OH (US); **Eric Fickas**, Plain City, OH (US)

Primary Examiner — Janice Hallmark
Assistant Examiner — Harold E Blackwell, II
(74) *Attorney, Agent, or Firm* — Wolf, Greenfield & Sacks, P.C

(73) Assignee: **ASSA ABLOY Access and Egress Hardware Group, Inc.**, New Haven, CT (US)

(57) **CLAIM**

The ornamental design for an exit device, as shown and described.

(**) Term: **15 Years**

DESCRIPTION

(21) Appl. No.: **29/713,034**

(22) Filed: **Nov. 13, 2019**

Related U.S. Application Data

(63) Continuation of application No. 29/643,448, filed on Apr. 9, 2018, now Pat. No. Des. 867,103.

(51) **LOC (12) Cl.** **08-06**

(52) **U.S. Cl.**
USPC **D8/315**

(58) **Field of Classification Search**
USPC D8/300, 302, 315, 316, 319, 320, 321, D8/404, 330, 331, 338, 341, 349
CPC Y10T 292/0908; Y10T 70/5159
See application file for complete search history.

FIG. 1 is a top, front, left side perspective view of an embodiment of an exit device;
FIG. 2 is a top, front, right side perspective view of FIG. 1;
FIG. 3 is a front elevation view of FIG. 1;
FIG. 4 is a rear elevation view of FIG. 1;
FIG. 5 is a left side elevation view of FIG. 1;
FIG. 6 is a right side elevation view of FIG. 1;
FIG. 7 is a top plan view of FIG. 1;
FIG. 8 is a bottom plan view of FIG. 1;
FIG. 9 is a top, front, left side perspective view of another embodiment of an exit device;
FIG. 10 is a top, front, right side perspective view of FIG. 9;
FIG. 11 is a front elevation view of FIG. 9;
FIG. 12 is a rear elevation view of FIG. 9;
FIG. 13 is a left side elevation view of FIG. 9;
FIG. 14 is a right side elevation view of FIG. 9;
FIG. 15 is a top plan view of FIG. 9; and,
FIG. 16 is a bottom plan view of FIG. 9.

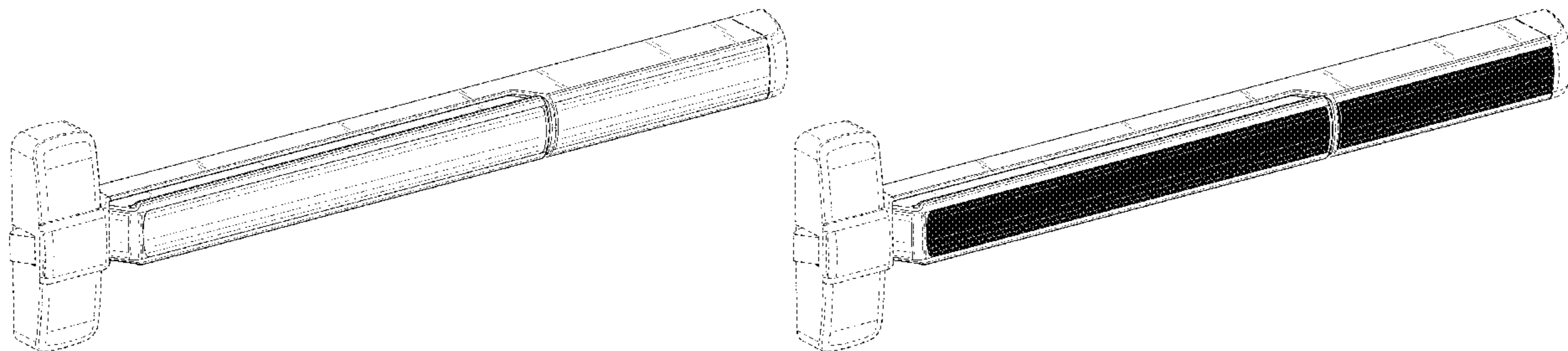
(56) **References Cited**

U.S. PATENT DOCUMENTS

3,663,047 A 5/1972 Zawadzki
3,877,262 A 4/1975 Williams
4,167,280 A 9/1979 Godec et al.
D268,003 S 2/1983 Ohno
4,624,490 A 11/1986 Miller

The dash-dash broken lines show portions of the exit device that form no part of the claimed design. The dot-dash broken lines represent boundaries of the claimed design and form no part of the claimed design. Any broken line illustration of environmental structure in the drawing is not part of the design sought to be patented.

1 Claim, 16 Drawing Sheets



(56)

References Cited

U.S. PATENT DOCUMENTS

D318,410	S	7/1991	Mohn	
5,042,851	A	8/1991	Hunt	
D331,182	S	11/1992	Hsien	
5,412,961	A *	5/1995	Cain E05B 63/0065 292/92
6,205,825	B1 *	3/2001	Haeck E05B 17/06 70/92
6,532,777	B2	3/2003	Haeck et al.	
6,779,819	B2	8/2004	Surko, Jr.	
7,204,050	B2 *	4/2007	Molokotos G09F 13/04 292/93
D578,860	S	10/2008	James et al.	
7,469,942	B2	12/2008	Whitaker et al.	
D604,585	S	11/2009	Veltz et al.	
7,832,778	B2	11/2010	Whitaker et al.	
7,905,522	B1	3/2011	Picard	
8,156,671	B2	4/2012	Presley et al.	
D669,333	S *	10/2012	Tien D8/330
D669,334	S	10/2012	Tien	
D669,335	S	10/2012	Tien	
D669,336	S	10/2012	Tien	
D669,337	S	10/2012	Tien	
D669,338	S	10/2012	Tien	
8,495,836	B2	7/2013	Lowder et al.	
9,376,835	B2	6/2016	Schildwachter et al.	
9,428,924	B2	8/2016	Harris et al.	
9,816,291	B2	11/2017	Wong et al.	
9,878,305	B2	1/2018	Hossain et al.	
9,945,158	B2	4/2018	Lehner, Jr. et al.	
D867,103	S	11/2019	Griswold et al.	
D867,851	S	11/2019	Griswold et al.	

* cited by examiner

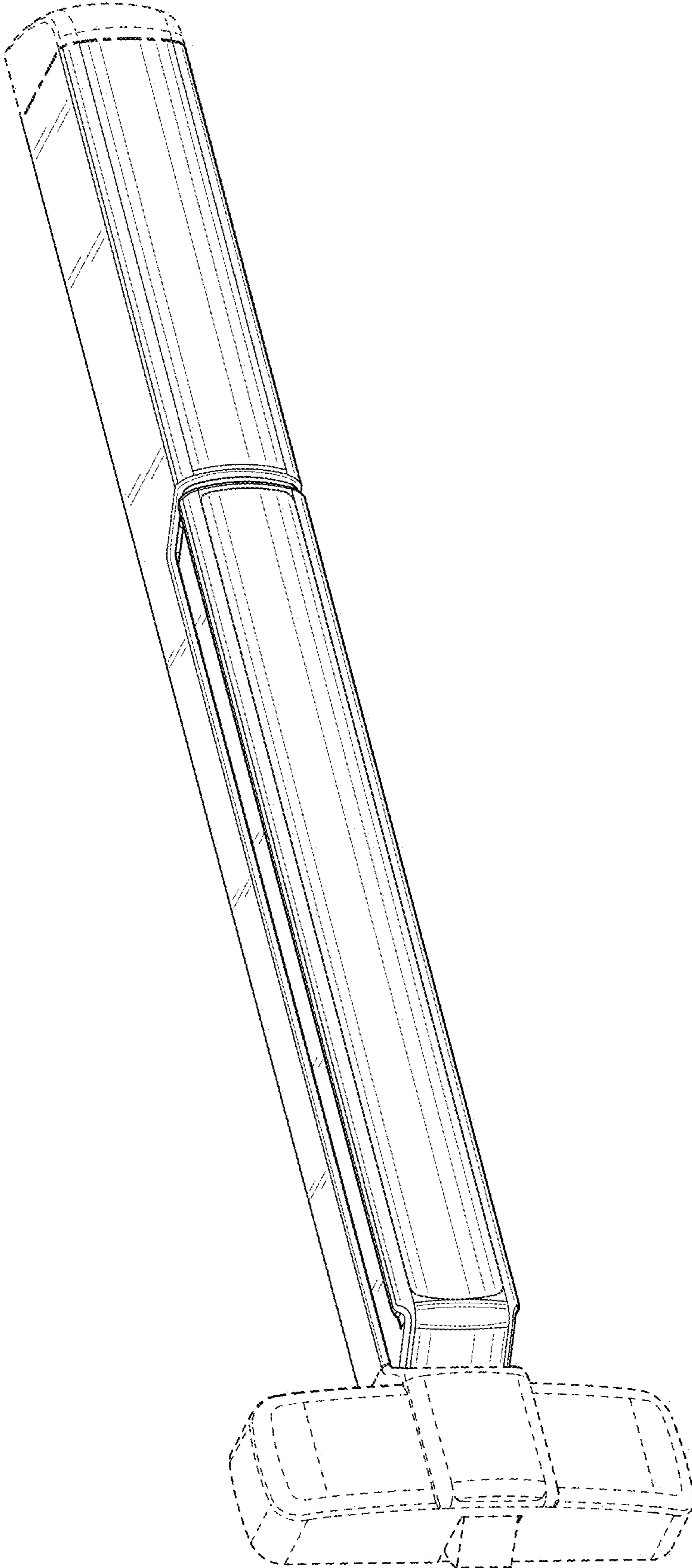


FIG. 1

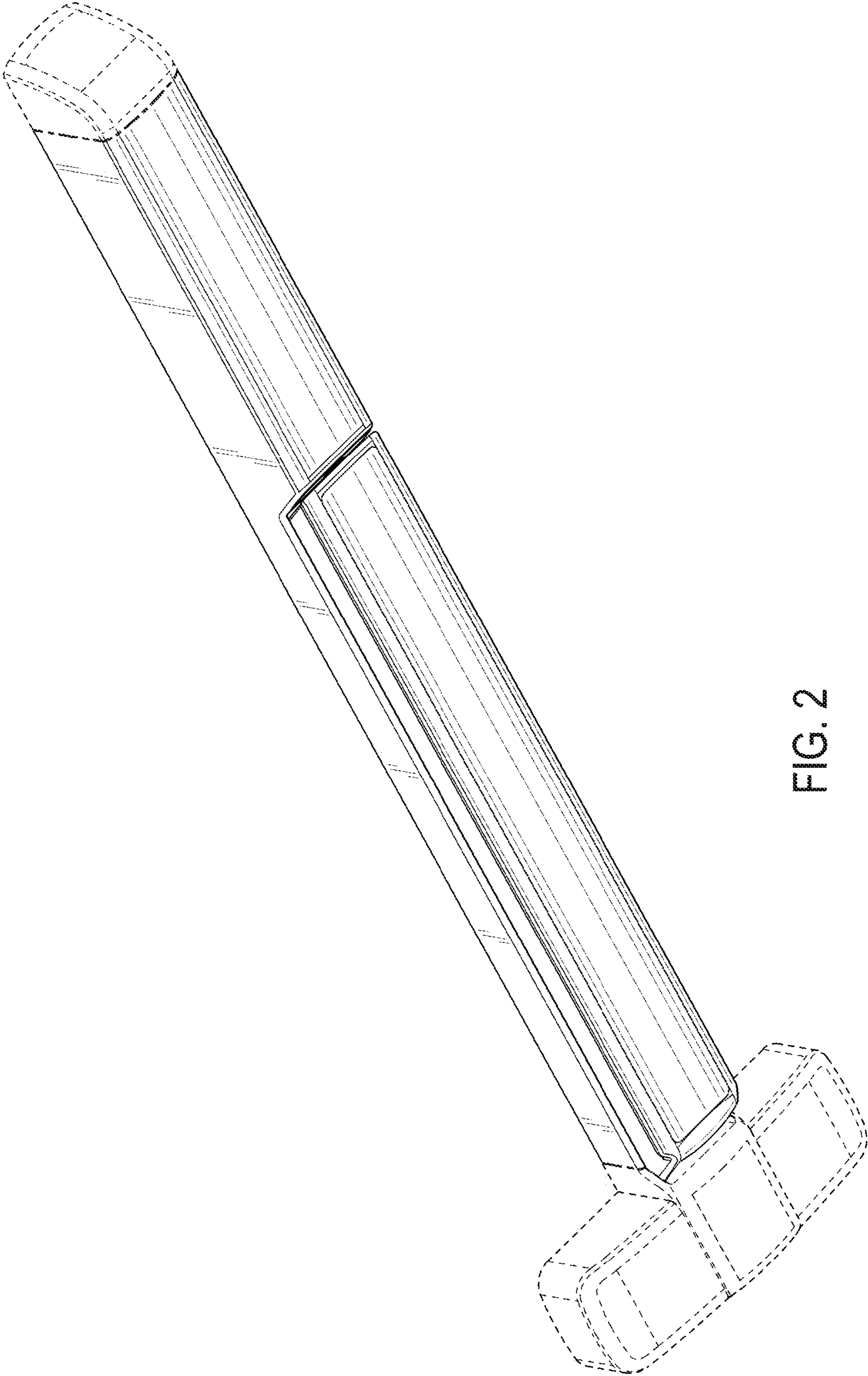


FIG. 2

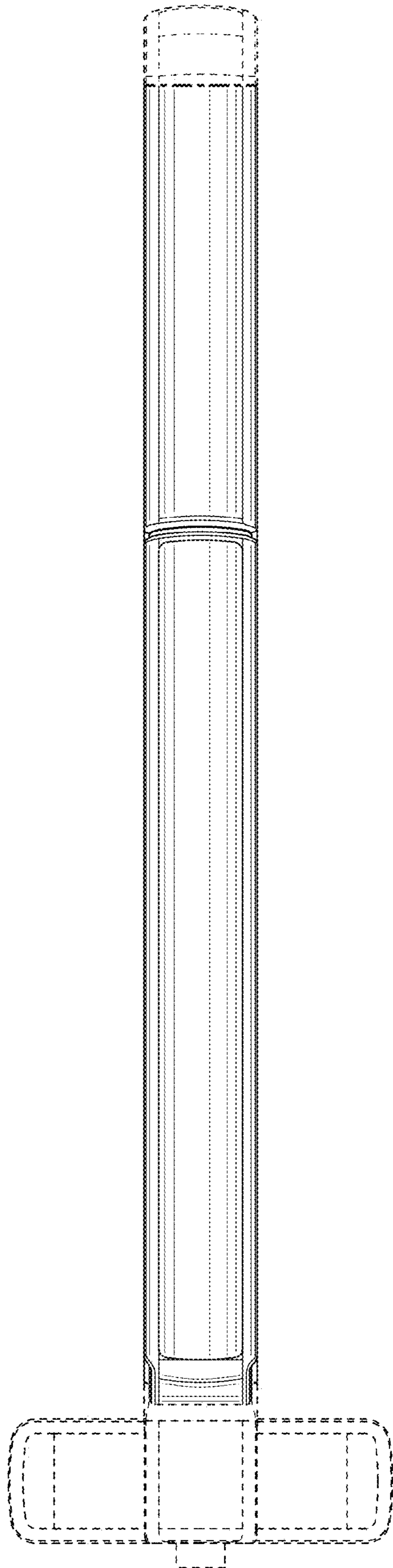


FIG. 3

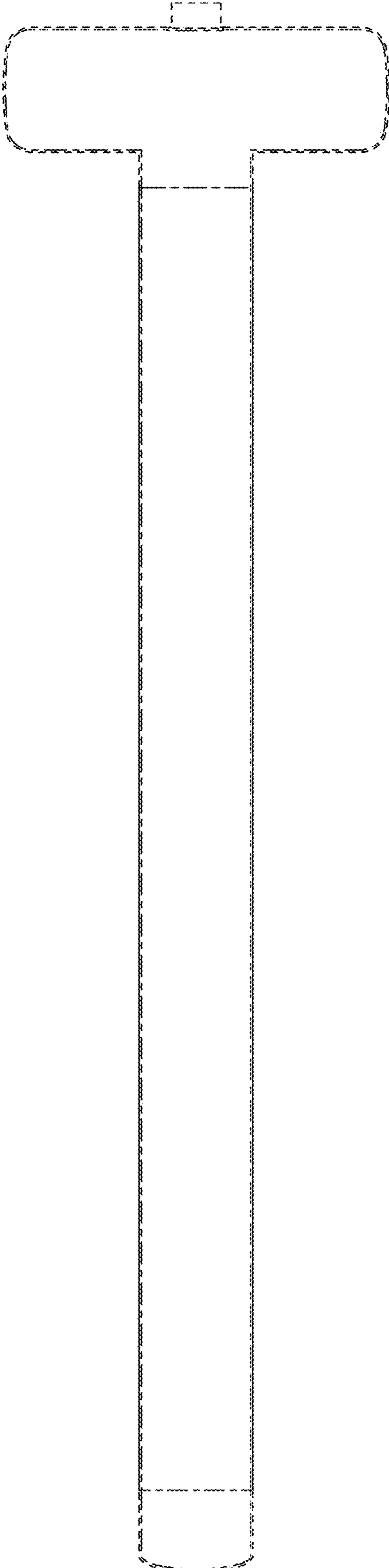


FIG. 4

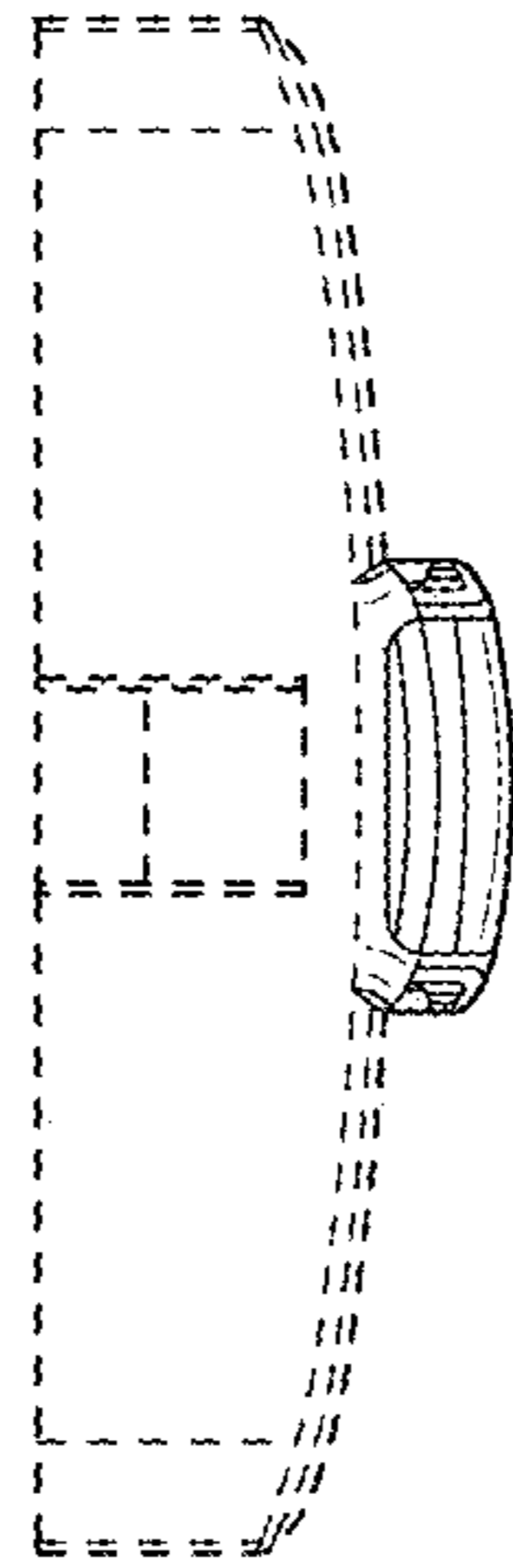


FIG. 5

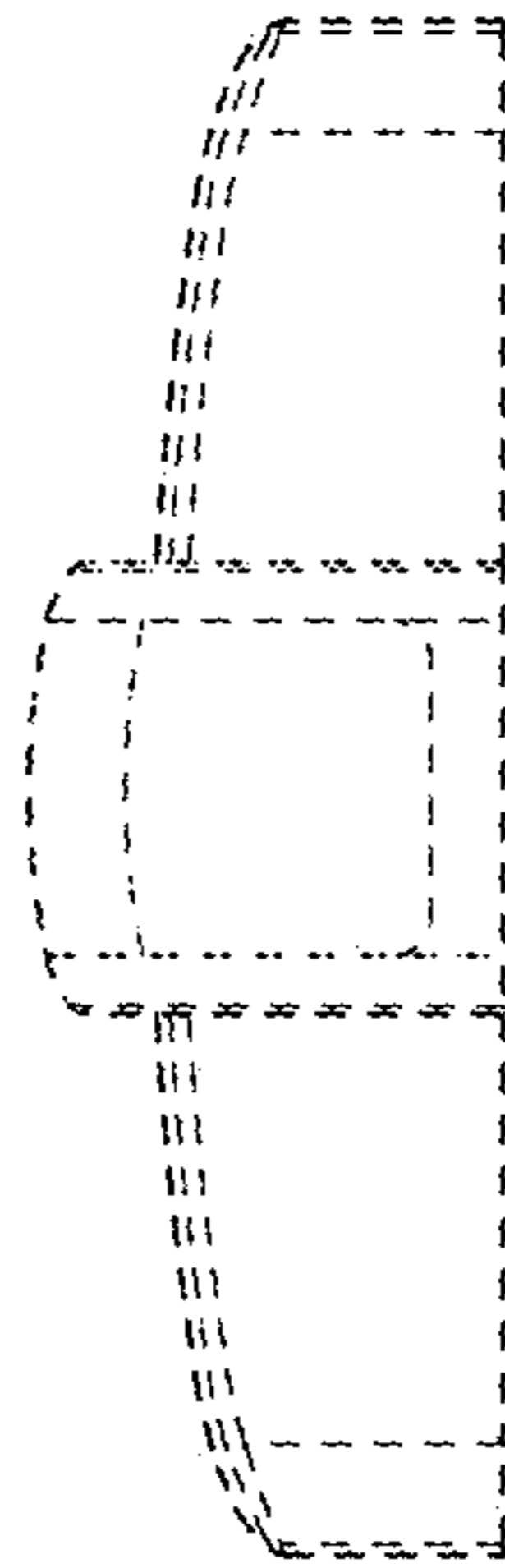


FIG. 6

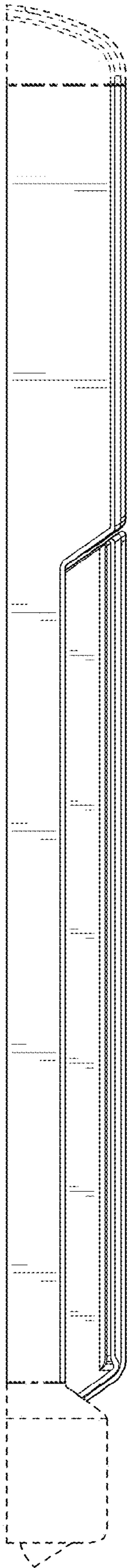


FIG. 7

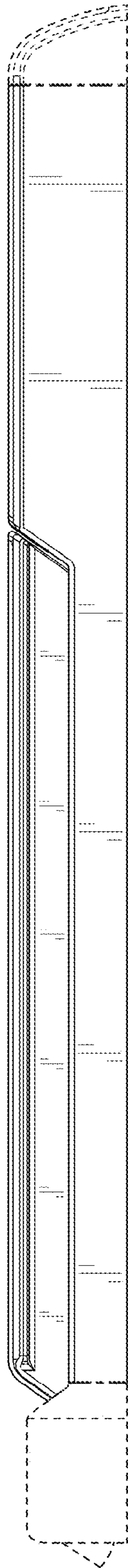


FIG. 8

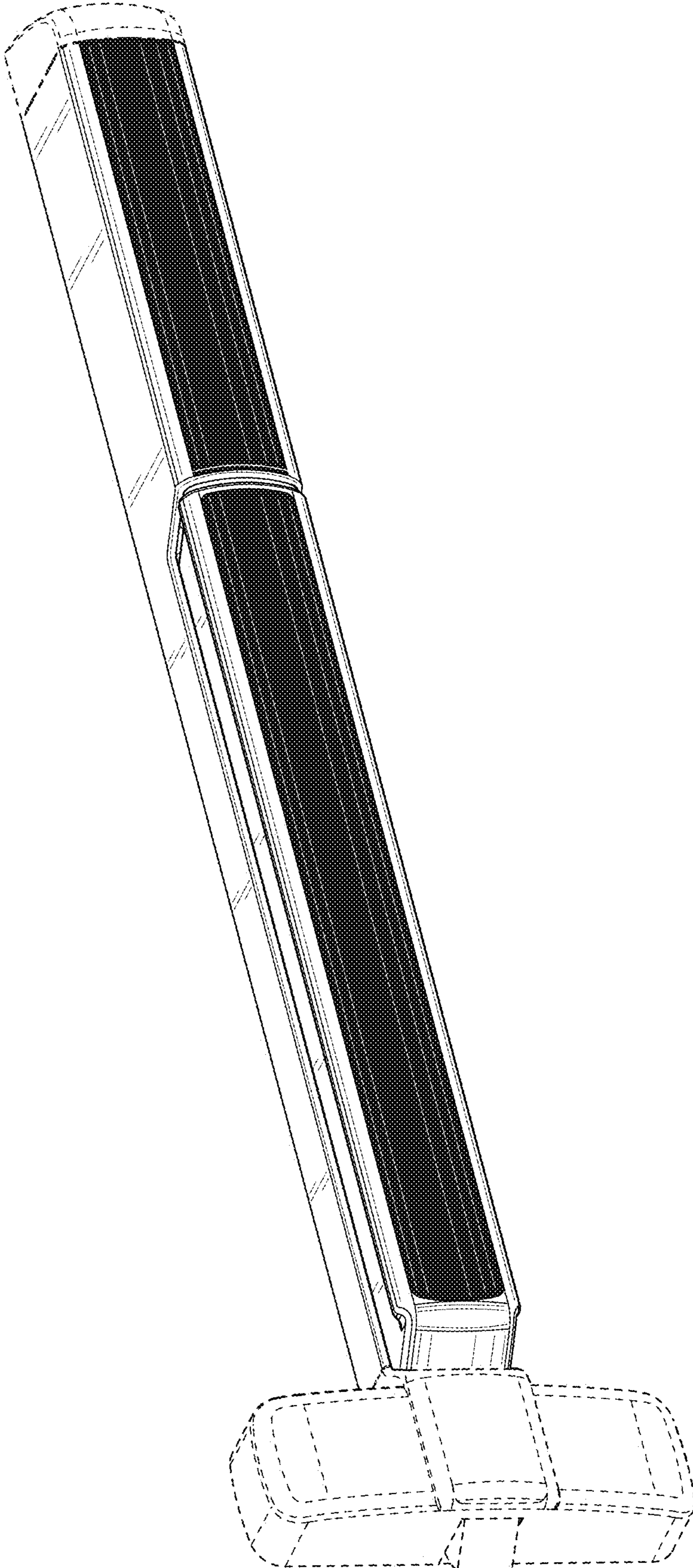


FIG. 9

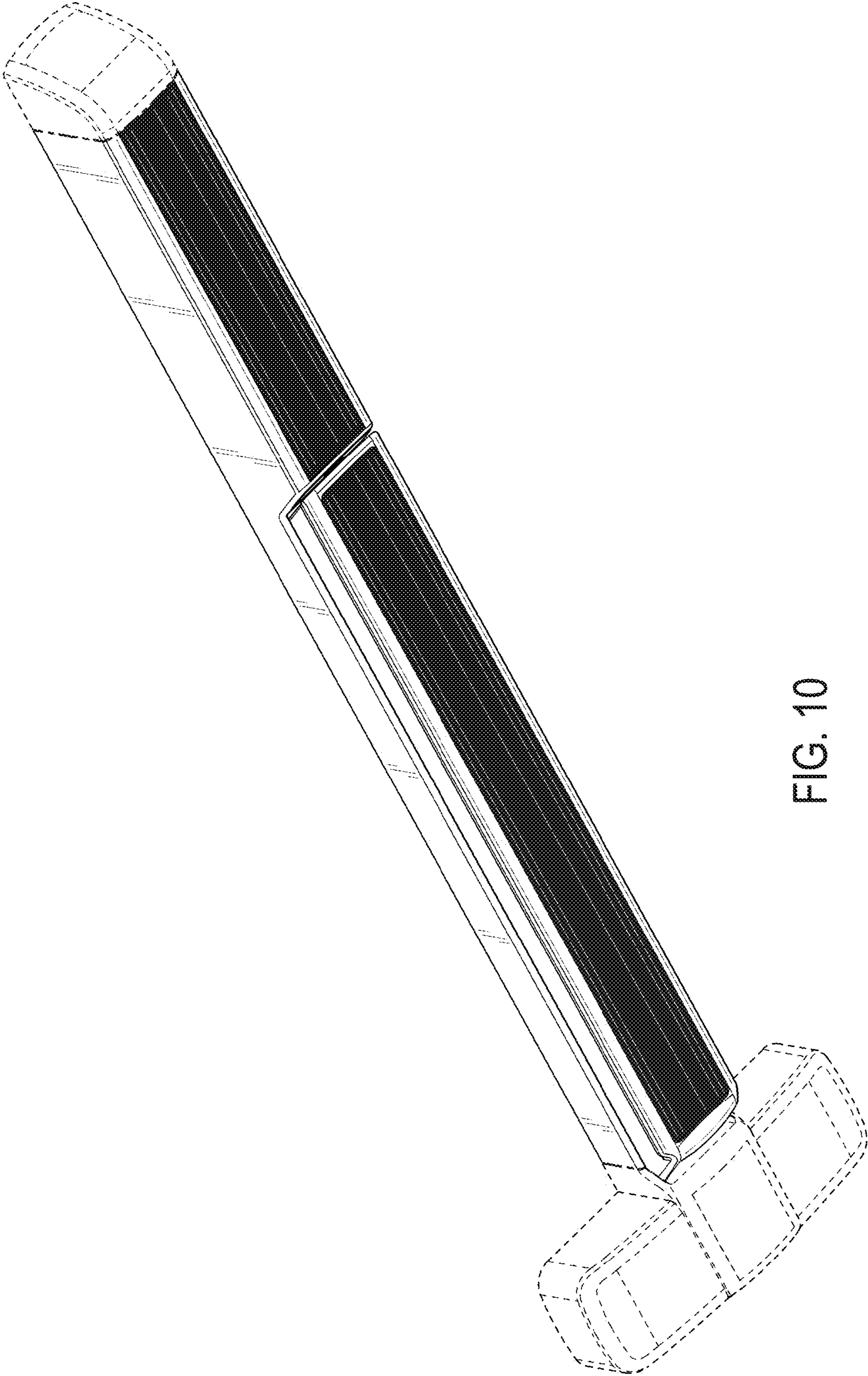


FIG. 10

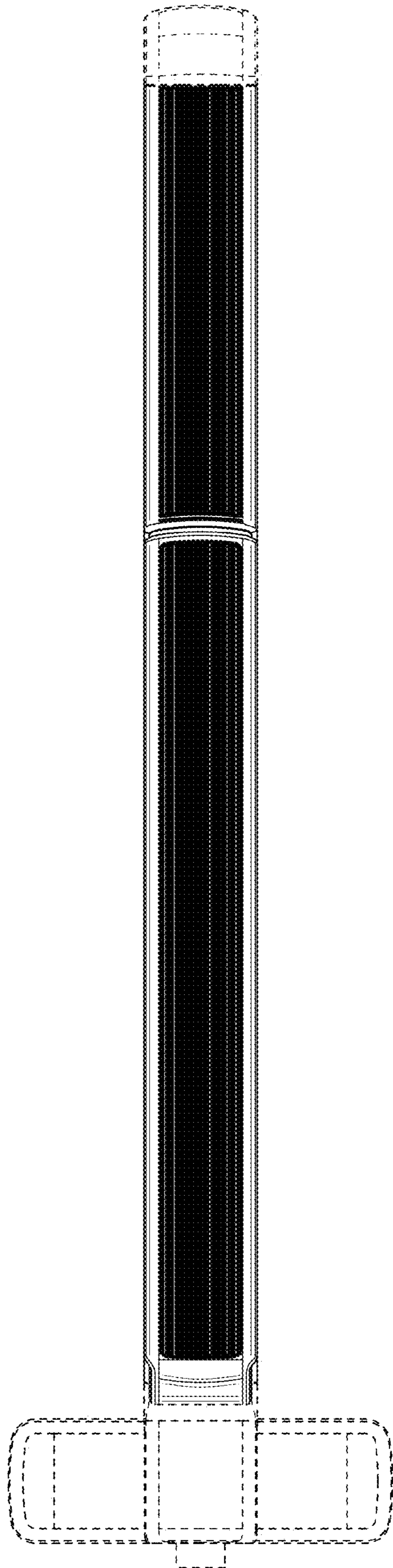


FIG. 11

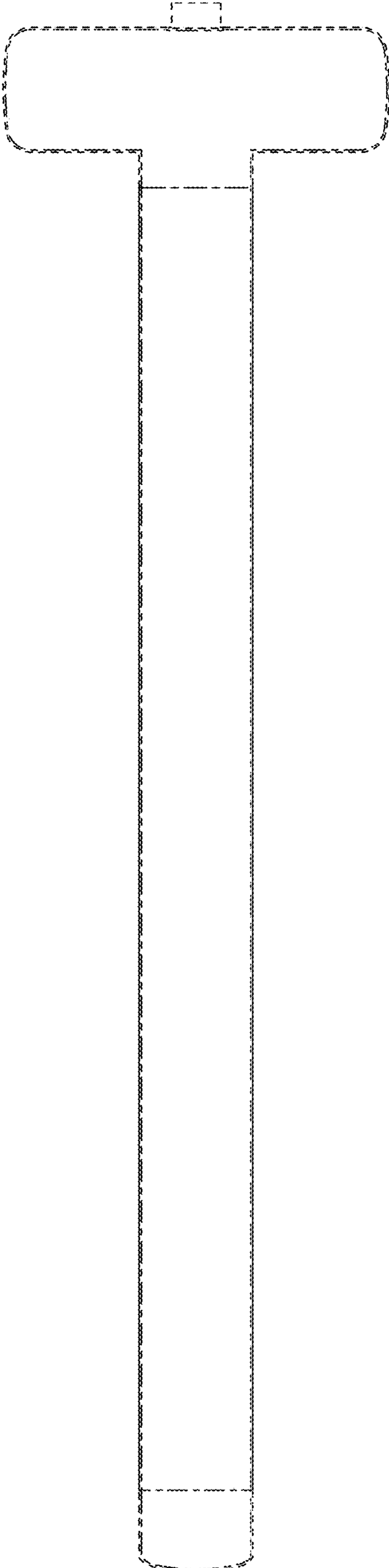


FIG. 12

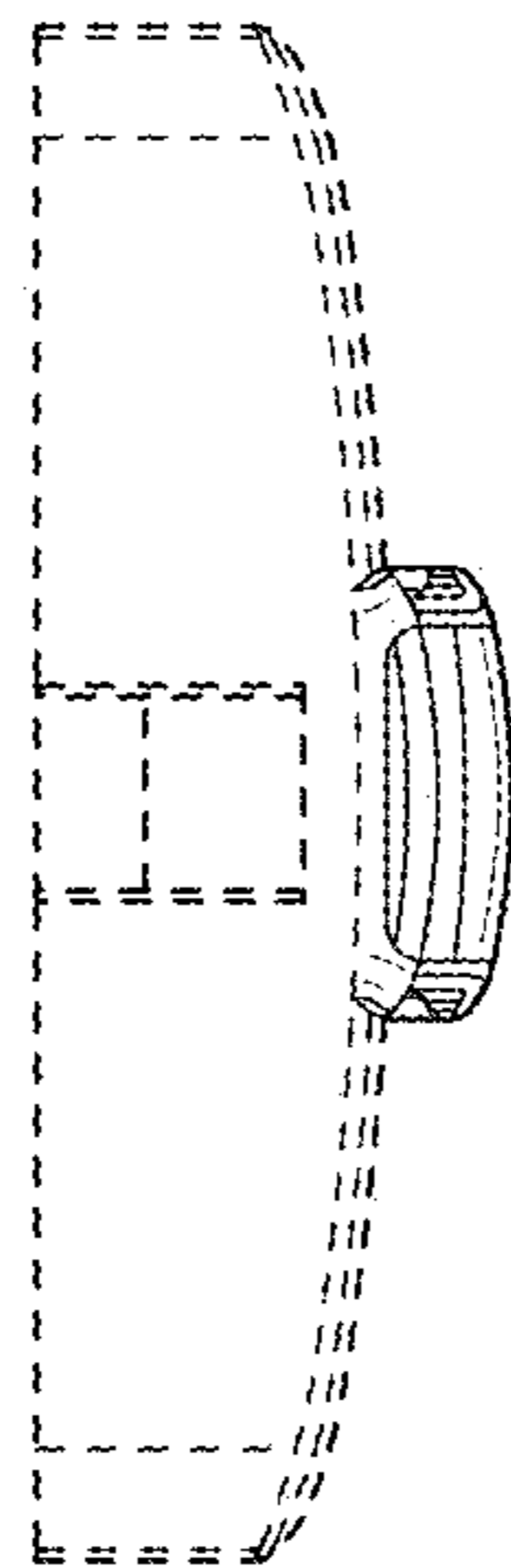


FIG. 13

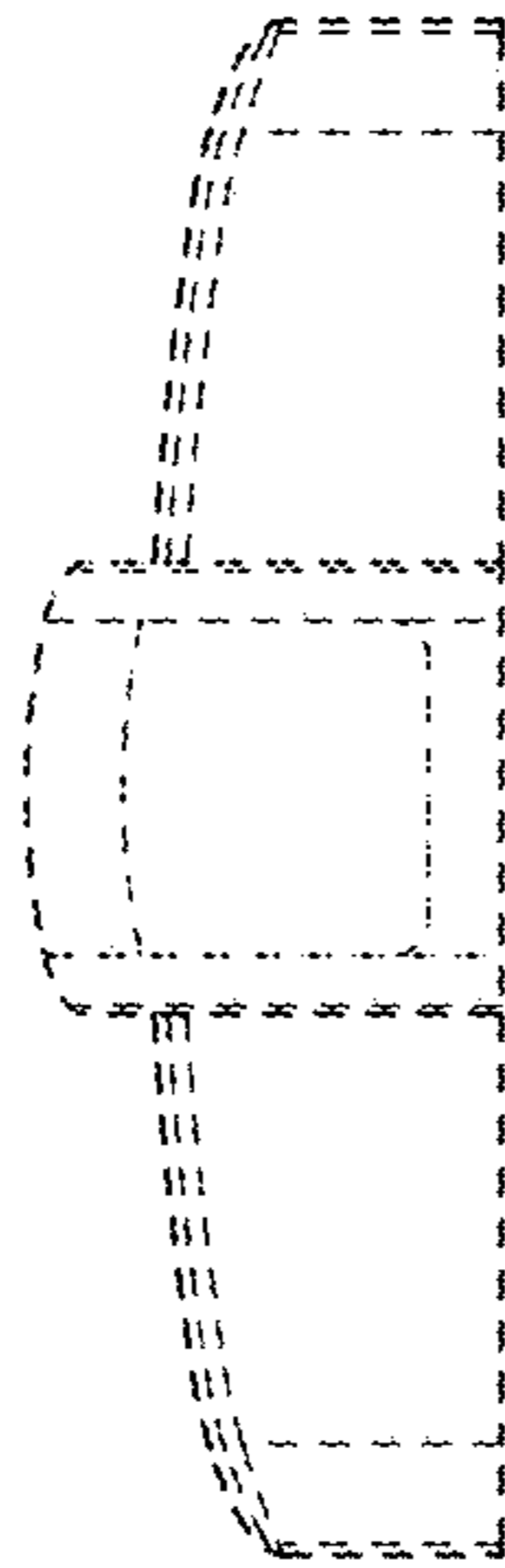


FIG. 14

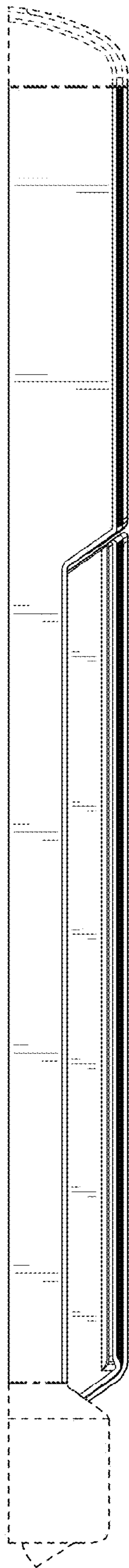


FIG. 15

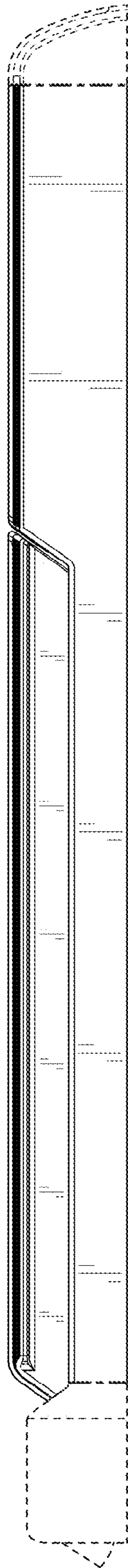


FIG. 16