



US00D891220S

(12) **United States Design Patent**  
**Griswold et al.**

(10) **Patent No.:** **US D891,220 S**

(45) **Date of Patent:** **\*\* Jul. 28, 2020**

(54) **EXIT DEVICE**

U.S. Appl. No. 29/678,269, filed Jan. 28, 2019, Griswold.  
U.S. Appl. No. 29/678,302, filed Jan. 28, 2019, Griswold.

(71) Applicant: **Sargent Manufacturing Company,**  
New Haven, CT (US)

*Primary Examiner* — Janice Hallmark

*Assistant Examiner* — Harold E Blackwell, II

(72) Inventors: **Lee Griswold,** Bethel, CT (US); **Sean Svendsen,** Sunbury, OH (US); **Eric Fickas,** Plain City, OH (US)

(74) *Attorney, Agent, or Firm* — Wolf, Greenfield & Sacks, P.C.

(73) Assignee: **Sargent Manufacturing Company,**  
New Haven, CT (US)

(57) **CLAIM**

The ornamental design for an exit device, as shown and described.

(\*\*) Term: **15 Years**

(21) Appl. No.: **29/713,030**

**DESCRIPTION**

(22) Filed: **Nov. 13, 2019**

**Related U.S. Application Data**

(63) Continuation of application No. 29/643,446, filed on Apr. 9, 2018, now Pat. No. Des. 867,851.

(51) **LOC (12) Cl.** ..... **08-06**

(52) **U.S. Cl.**  
USPC ..... **D8/315**

(58) **Field of Classification Search**  
USPC ..... D8/300, 302, 315, 316, 319, 320, 321,  
D8/404, 330, 331, 338, 341, 349  
CPC ..... Y10T 292/0908; Y10T 70/5159  
See application file for complete search history.

FIG. 1 is a top, front, left side perspective view of an embodiment of an exit device;  
FIG. 2 is a top, front, right side perspective view of FIG. 1;  
FIG. 3 is a front elevation view of FIG. 1;  
FIG. 4 is a rear elevation view of FIG. 1;  
FIG. 5 is a left side elevation view of FIG. 1;  
FIG. 6 is a right side elevation view of FIG. 1;  
FIG. 7 is a top plan view of FIG. 1;  
FIG. 8 is a bottom plan view of FIG. 1;  
FIG. 9 is a top, front, left side perspective view of another embodiment of an exit device;  
FIG. 10 is a top, front, right side perspective view of FIG. 9;  
FIG. 11 is a front elevation view of FIG. 9;  
FIG. 12 is a rear elevation view of FIG. 9;  
FIG. 13 is a left side elevation view of FIG. 9;  
FIG. 14 is a right side elevation view of FIG. 9;  
FIG. 15 is a top plan view of FIG. 9; and  
FIG. 16 is a bottom plan view of FIG. 9.

(56) **References Cited**

**U.S. PATENT DOCUMENTS**

|           |   |         |              |
|-----------|---|---------|--------------|
| 3,663,047 | A | 5/1972  | Zawadzki     |
| 3,877,262 | A | 4/1975  | Williams     |
| 4,167,280 | A | 9/1979  | Godec et al. |
| D268,003  | S | 2/1983  | Ohno         |
| 4,624,490 | A | 11/1986 | Miller       |

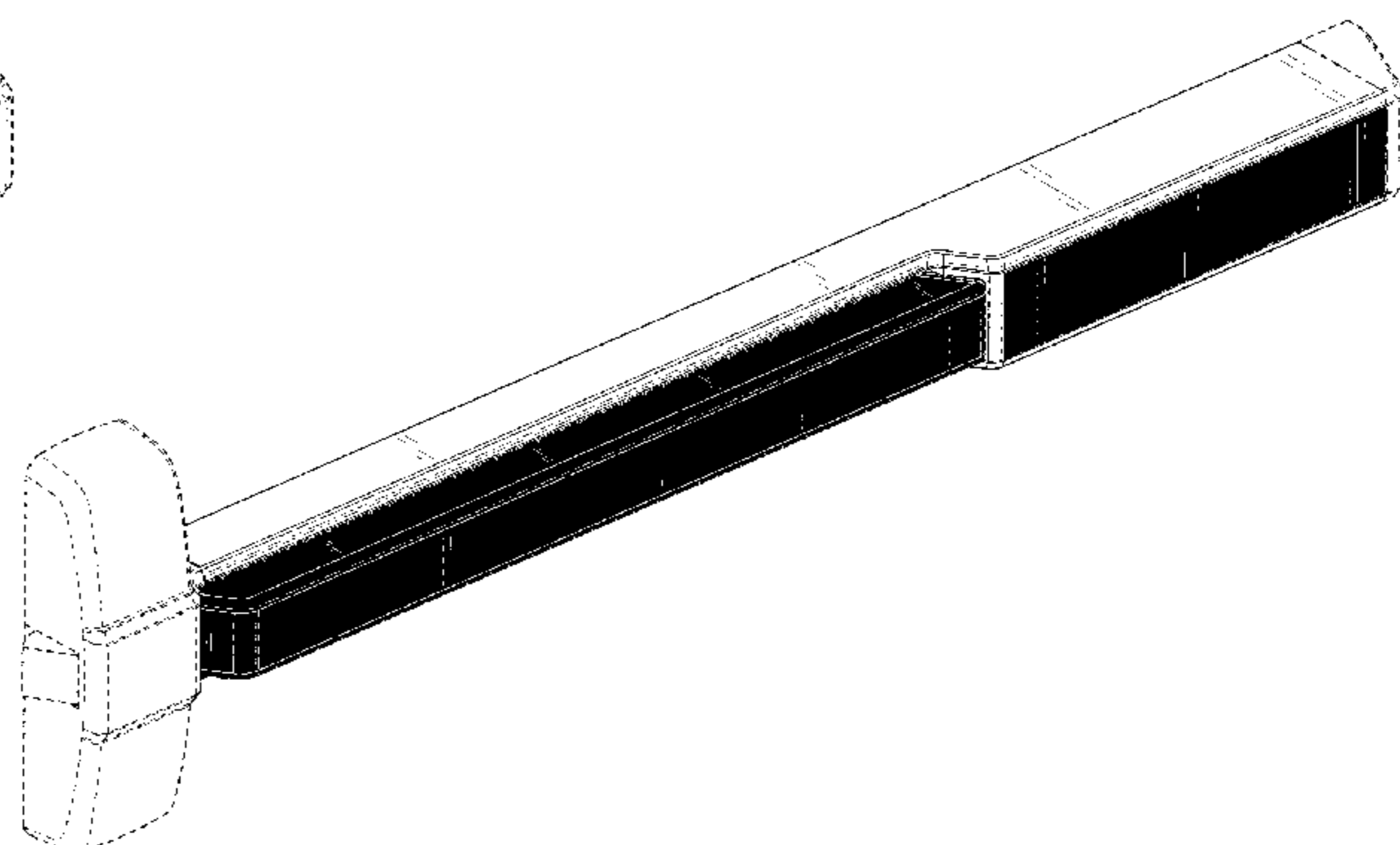
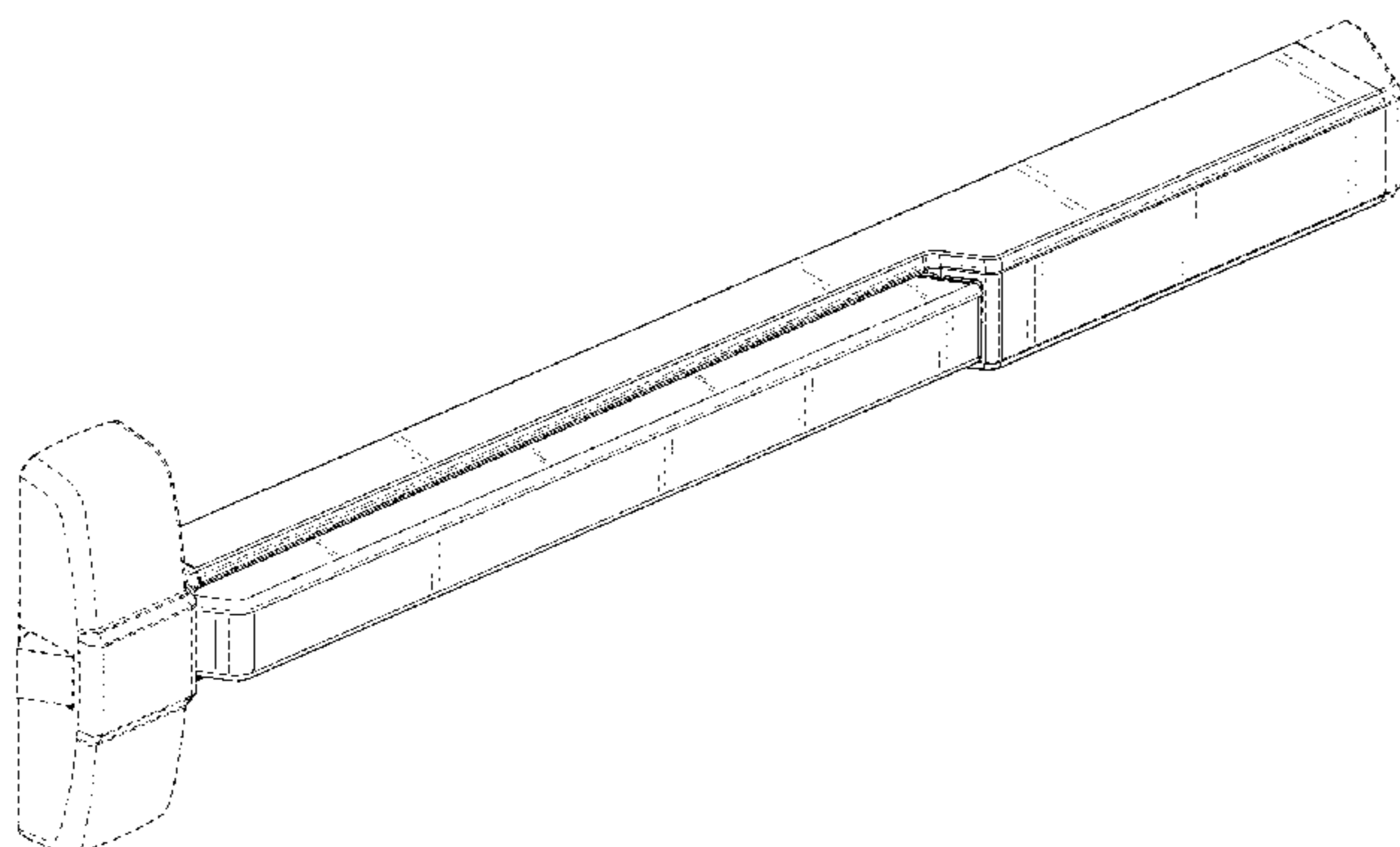
(Continued)

The dash-dash broken lines show portions of the exit device that form no part of the claimed design. The dot-dash broken lines represent boundaries of the claimed design and form no part of the claimed design. Any broken line illustration of environmental structure in the drawing is not part of the design sought to be patented.

**OTHER PUBLICATIONS**

U.S. Appl. No. 29/713,034, filed Nov. 13, 2019, Griswold et al.

**1 Claim, 16 Drawing Sheets**



(56)

**References Cited**

## U.S. PATENT DOCUMENTS

|           |      |         |                      |                              |
|-----------|------|---------|----------------------|------------------------------|
| D297,806  | S    | 9/1988  | Mohn                 |                              |
| 4,796,931 | A    | 1/1989  | Heid                 |                              |
| 4,961,330 | A    | 10/1990 | Evans                |                              |
| D318,410  | S    | 7/1991  | Mohn                 |                              |
| 5,042,851 | A    | 8/1991  | Hunt                 |                              |
| D331,182  | S    | 11/1992 | Hsien                |                              |
| 5,412,961 | A *  | 5/1995  | Cain                 | ..... E05B 63/0065<br>292/92 |
| 6,205,825 | B1 * | 3/2001  | Haeck                | ..... E05B 17/06<br>70/92    |
| 6,532,777 | B2   | 3/2003  | Haeck et al.         |                              |
| 6,779,819 | B2   | 8/2004  | Surko, Jr.           |                              |
| 7,204,050 | B2 * | 4/2007  | Molokotos            | ..... G09F 13/04<br>292/93   |
| D578,860  | S    | 10/2008 | James et al.         |                              |
| 7,469,942 | B2   | 12/2008 | Whitaker et al.      |                              |
| D604,585  | S    | 11/2009 | Veltz et al.         |                              |
| 7,832,778 | B2   | 11/2010 | Whitaker et al.      |                              |
| 7,905,522 | B1   | 3/2011  | Picard               |                              |
| 8,156,671 | B2   | 4/2012  | Presley et al.       |                              |
| D669,333  | S *  | 10/2012 | Tien                 | ..... D8/330                 |
| D669,334  | S    | 10/2012 | Tien                 |                              |
| D669,335  | S    | 10/2012 | Tien                 |                              |
| D669,336  | S    | 10/2012 | Tien                 |                              |
| D669,337  | S    | 10/2012 | Tien                 |                              |
| D669,338  | S    | 10/2012 | Tien                 |                              |
| 8,495,836 | B2   | 7/2013  | Lowder et al.        |                              |
| 9,376,835 | B2   | 6/2016  | Schildwachter et al. |                              |
| 9,428,924 | B2   | 8/2016  | Harris et al.        |                              |
| 9,816,291 | B2   | 11/2017 | Wong et al.          |                              |
| 9,878,305 | B2   | 1/2018  | Hossain et al.       |                              |
| 9,945,158 | B2   | 4/2018  | Lehner, Jr. et al.   |                              |
| D867,103  | S    | 11/2019 | Griswold et al.      |                              |
| D867,851  | S    | 11/2019 | Griswold et al.      |                              |

\* cited by examiner

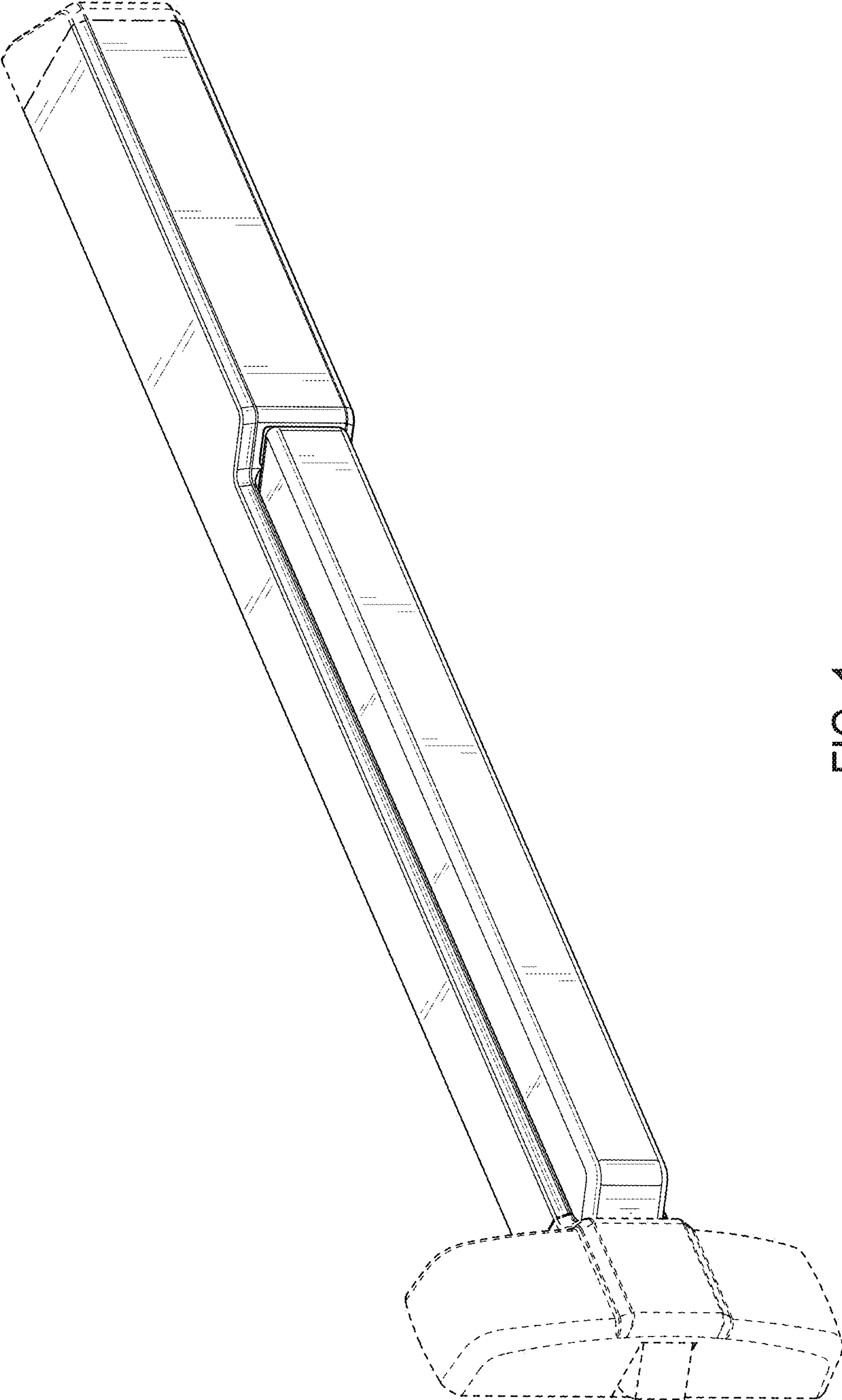


FIG. 1

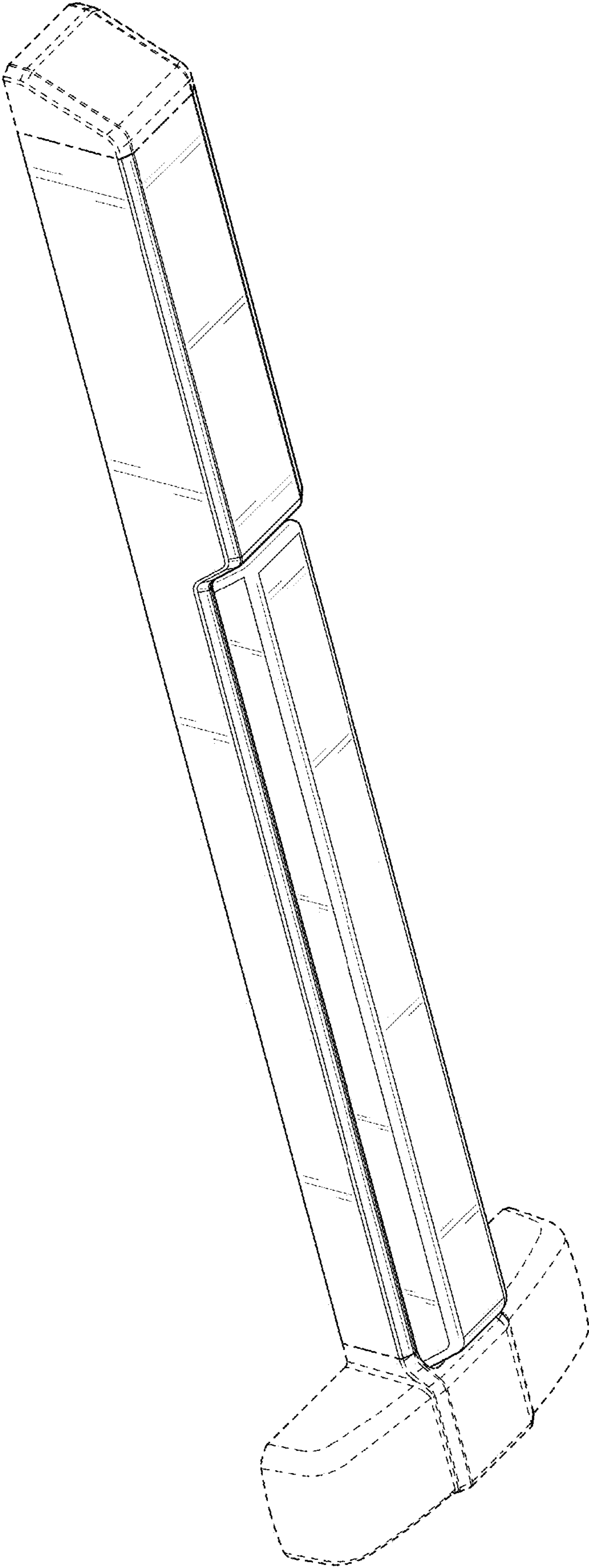


FIG. 2



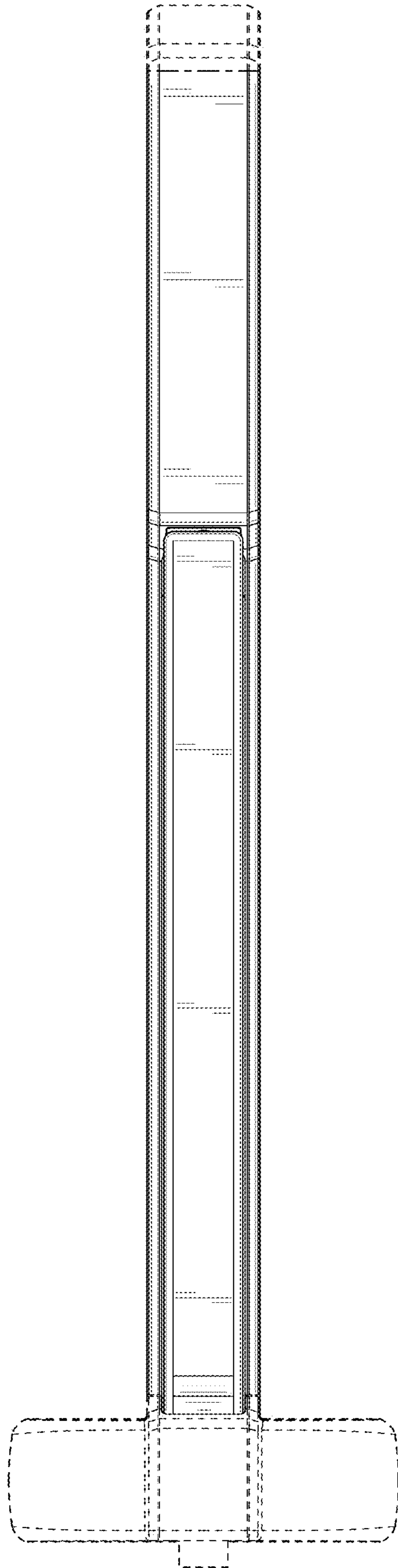


FIG. 3

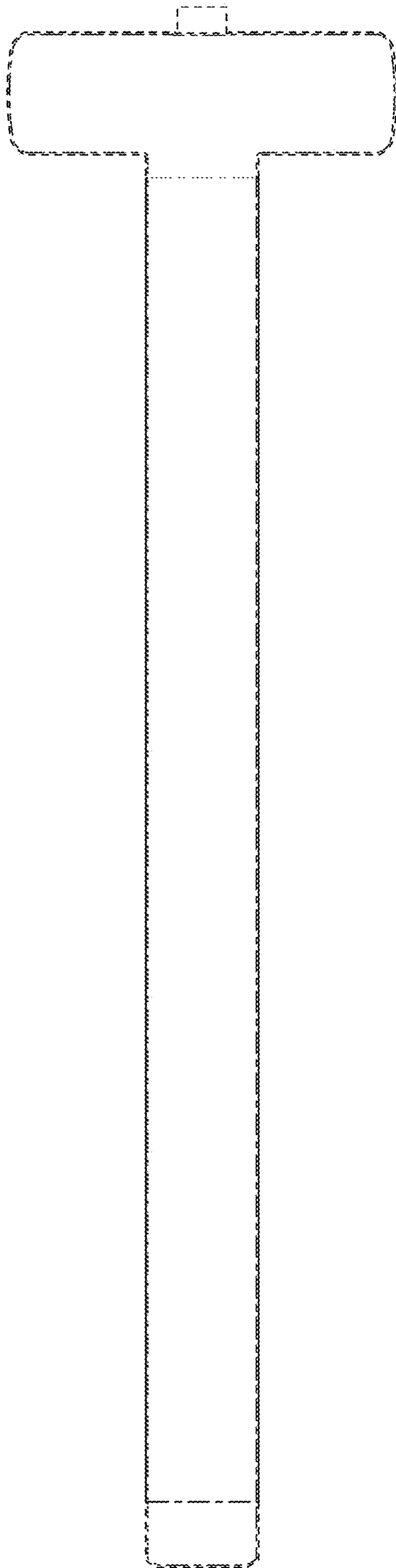


FIG. 4

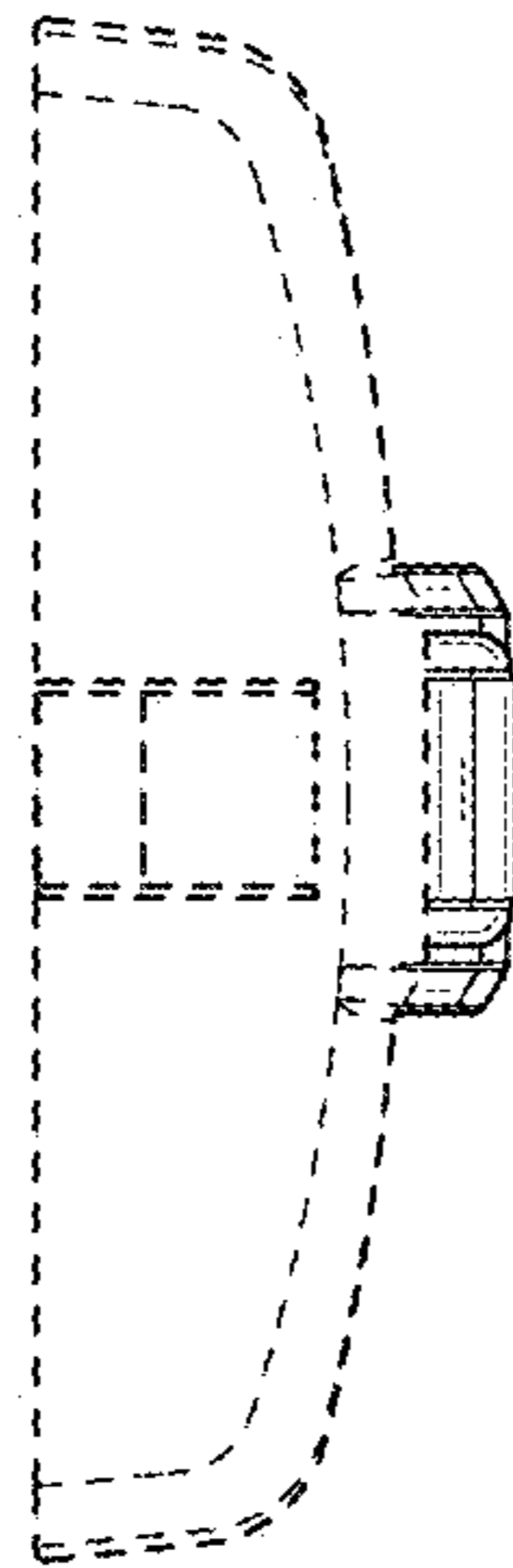


FIG. 5

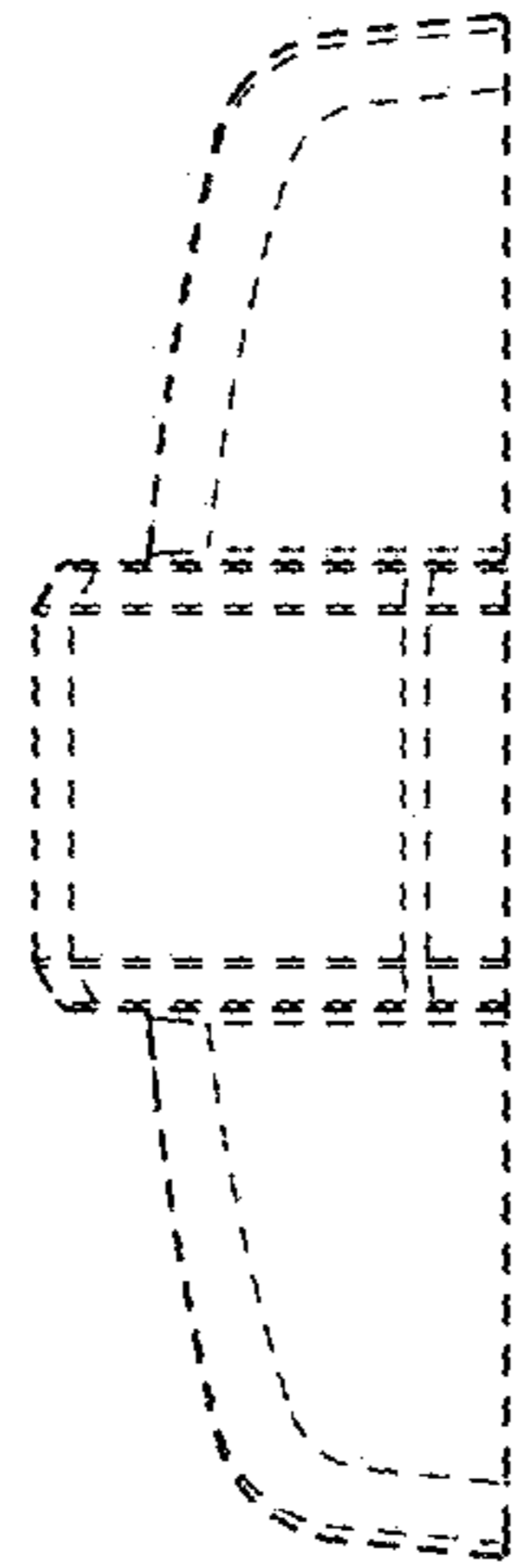


FIG. 6



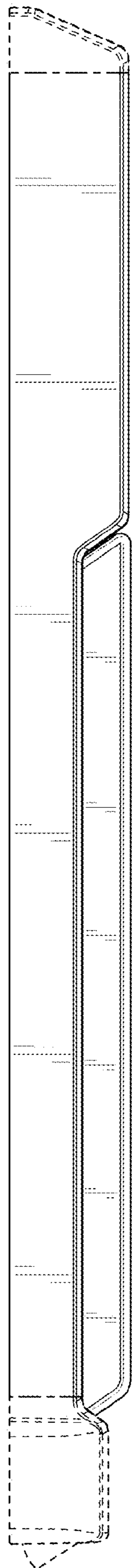


FIG. 7

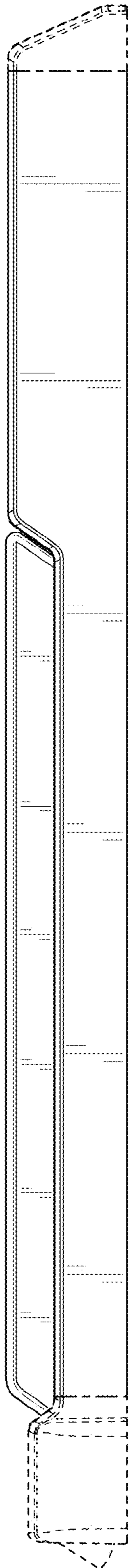


FIG. 8

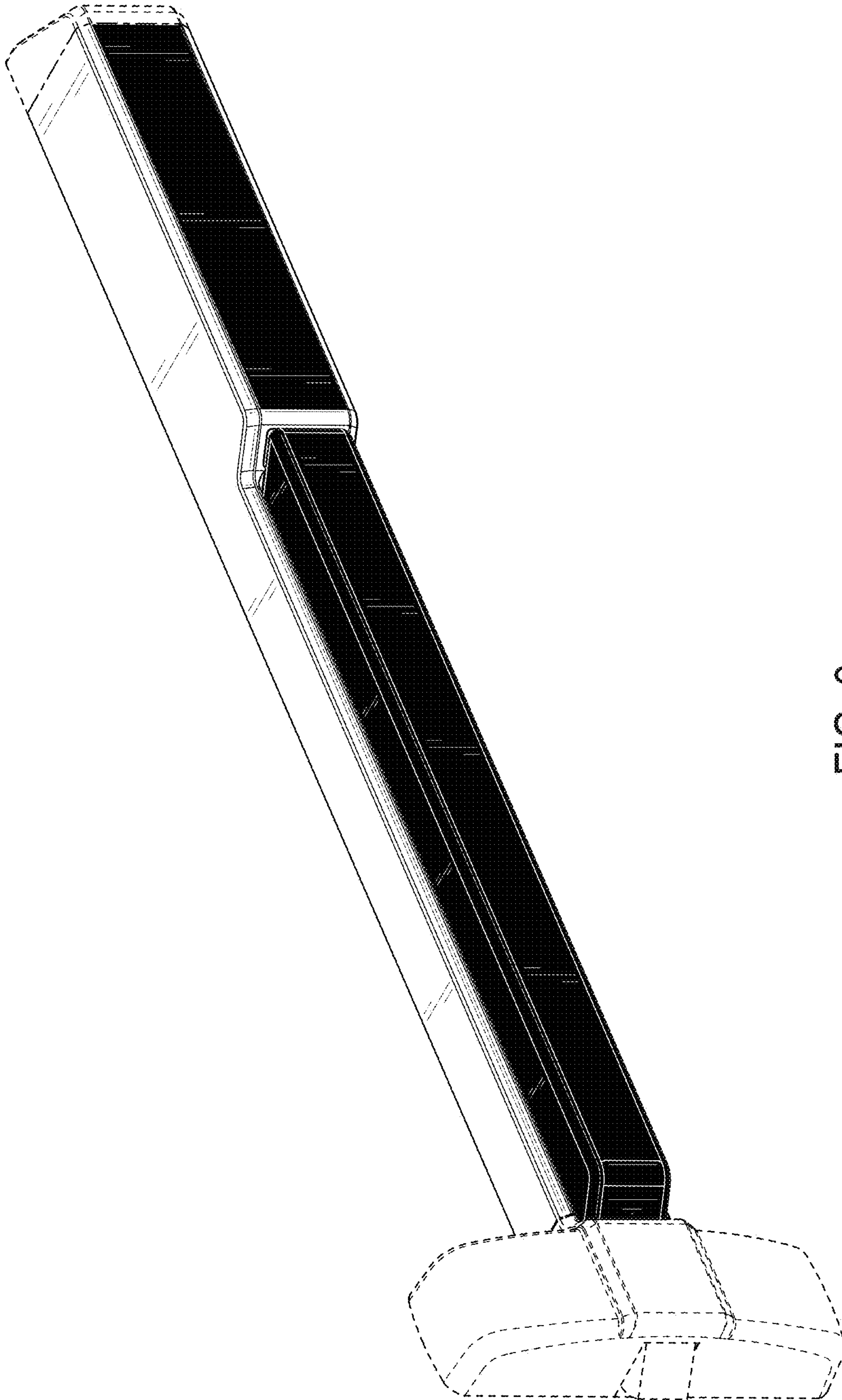


FIG. 9

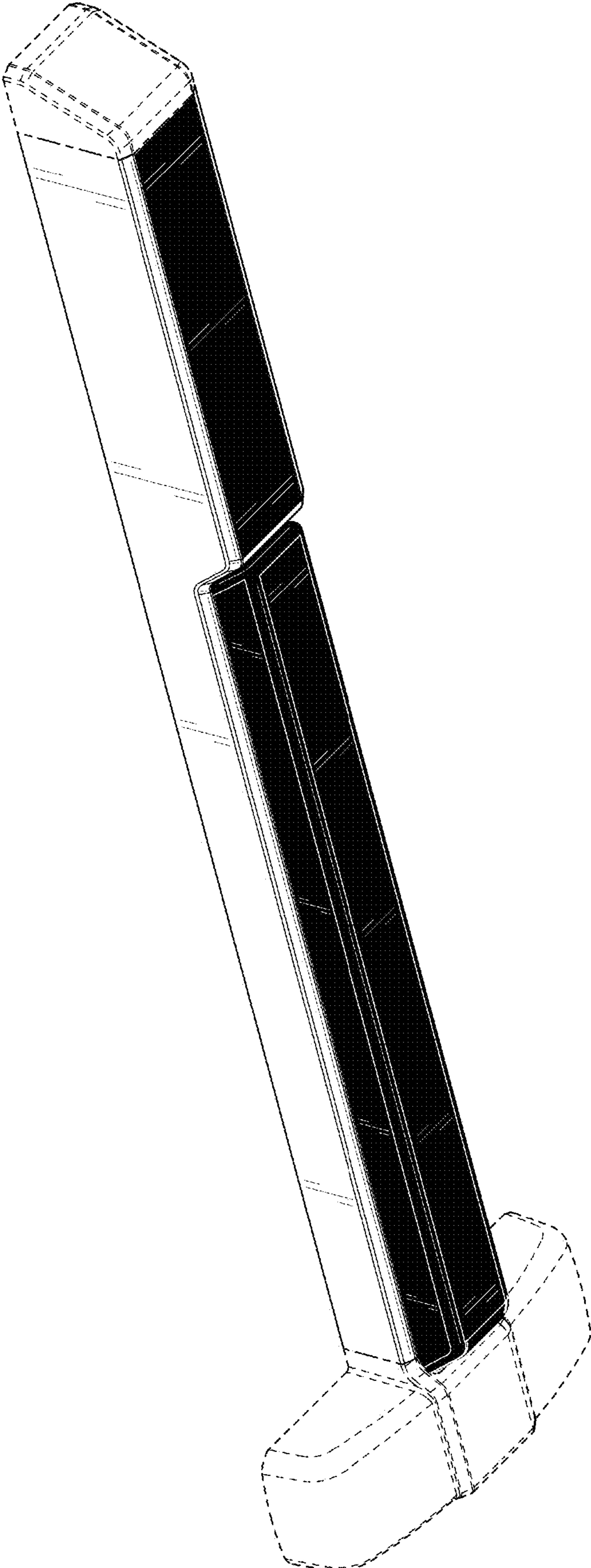


FIG. 10

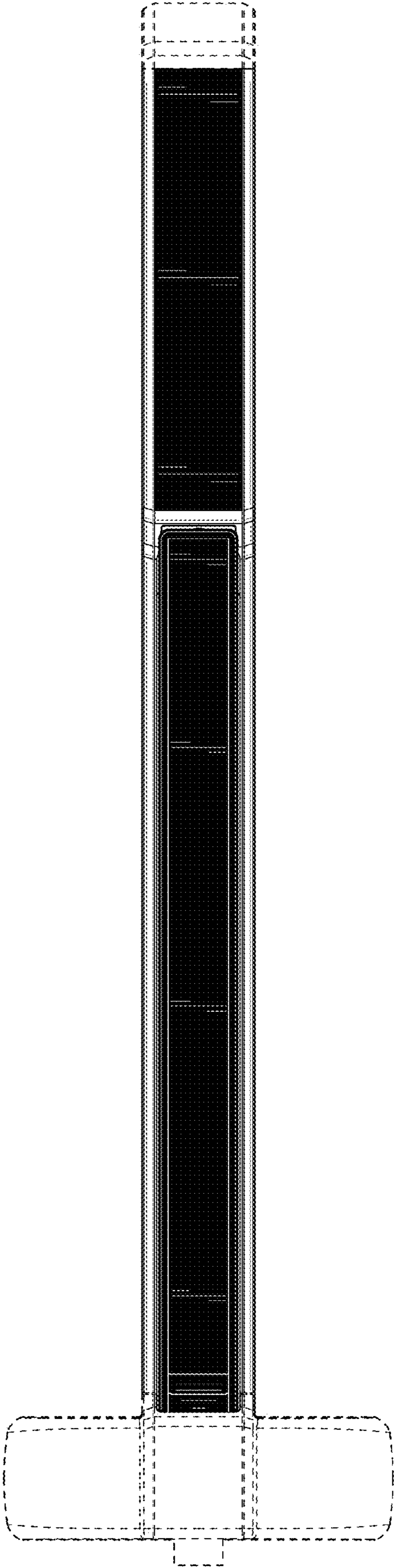


FIG. 11

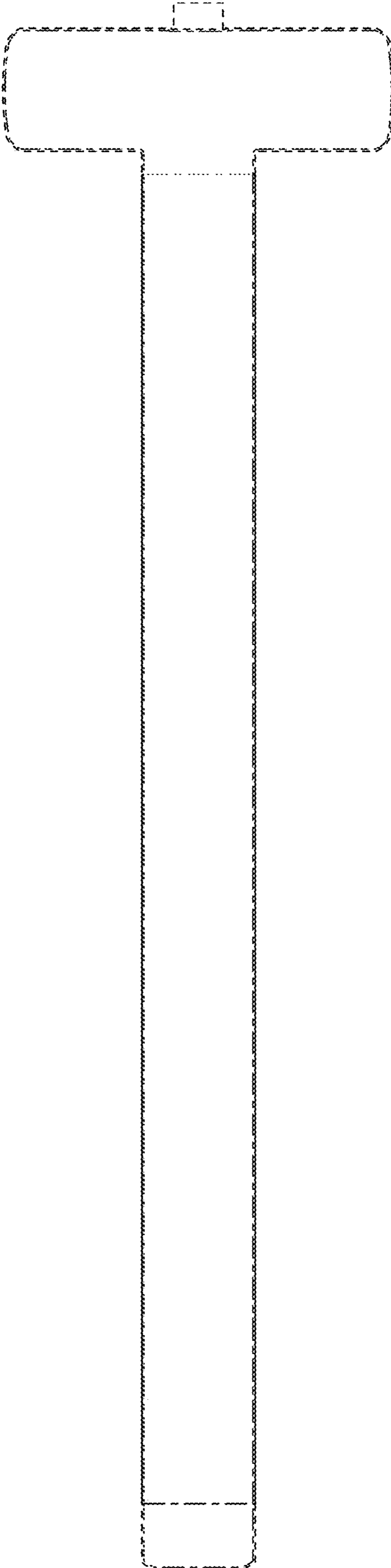


FIG. 12



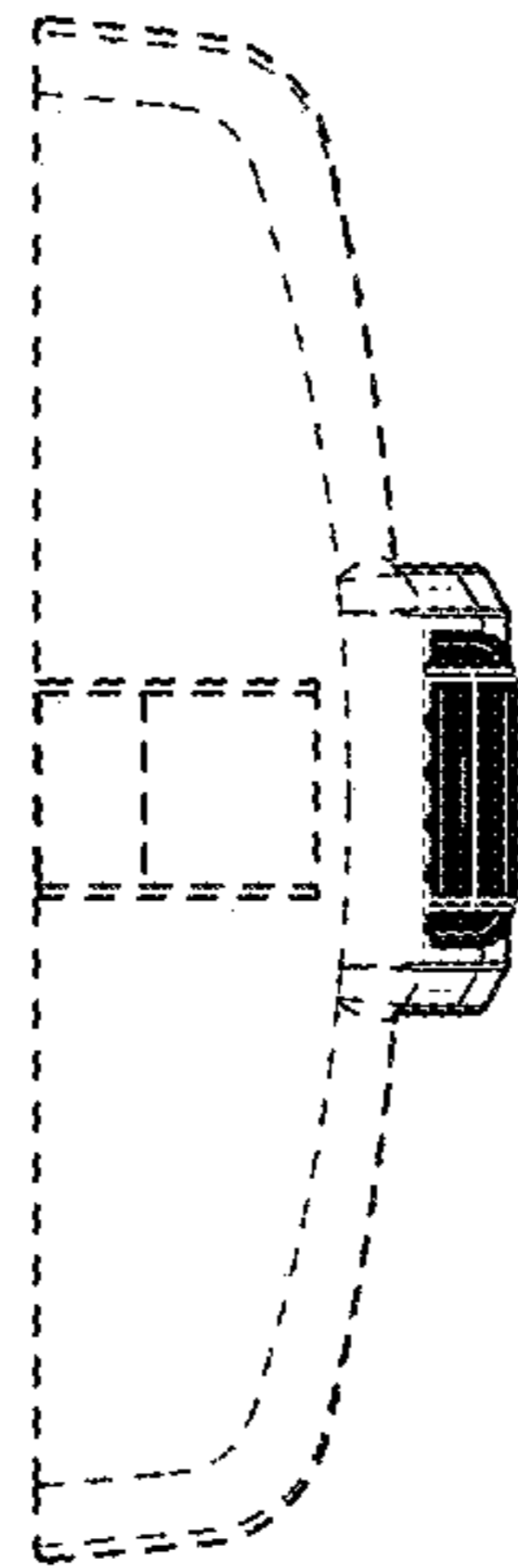


FIG. 13

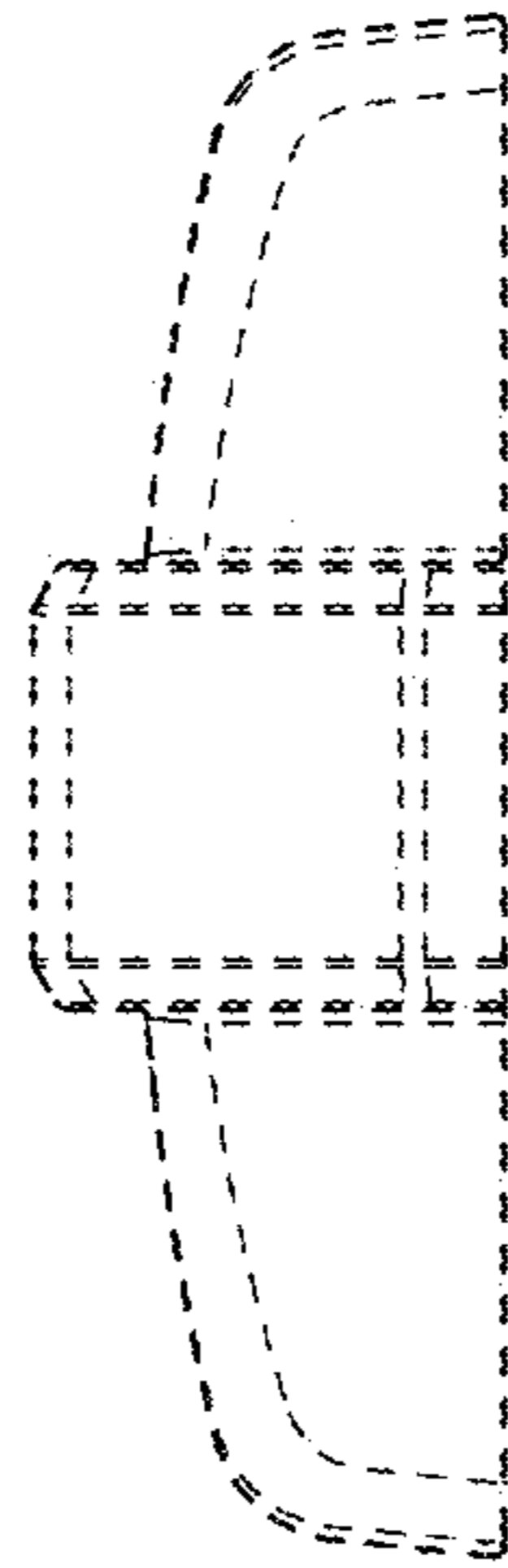


FIG. 14

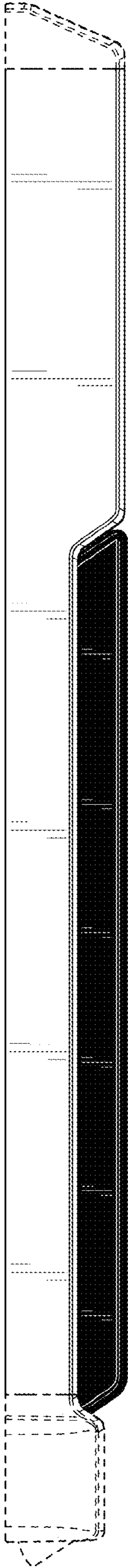


FIG. 15

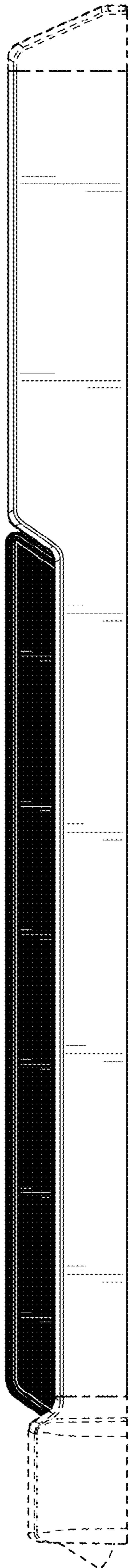


FIG. 16