



US00D891219S

(12) **United States Design Patent** (10) **Patent No.:** **US D891,219 S**  
**Huang et al.** (45) **Date of Patent:** **\*\* Jul. 28, 2020**

(54) **HANDLE/PEDAL FOR AN ACTUATOR**  
(71) Applicant: **Shinn Fu Company of America, Inc.**,  
Kansas City, MO (US)  
(72) Inventors: **Steven Huang**, Kansas City, MO (US);  
**Ryan A. Jorgensen**, Blue Springs, MO  
(US)  
(73) Assignee: **SHINN FU COMPANY OF**  
**AMERICA, INC.**, Kansas City, MO  
(US)

D578,859 S \* 10/2008 Bednarz ..... D8/300  
D625,073 S 10/2010 Hernandez  
D665,553 S 8/2012 Zhou  
D683,103 S \* 5/2013 Liu ..... D34/27  
D691,218 S \* 10/2013 Kinsbourne ..... D21/662  
D732,786 S 6/2015 Arzouman  
D737,537 S 8/2015 Arzouman  
D848,814 S \* 5/2019 Reese ..... D8/107  
D864,513 S \* 10/2019 Krohn ..... D34/35  
2016/0097176 A1 \* 4/2016 Hamilton ..... E01C 19/35  
173/206

(Continued)

(\*\*) Term: **15 Years**  
(21) Appl. No.: **29/685,963**  
(22) Filed: **Apr. 1, 2019**  
(51) **LOC (12) Cl.** ..... **08-06**  
(52) **U.S. Cl.**  
USPC ..... **D8/307; D34/35**  
(58) **Field of Classification Search**  
USPC ..... D8/1, 3, 10, 107, 300, 303, 307, 311,  
D8/312, 315; D7/395; D34/28, 35  
CPC ..... Y10T 16/469; Y10T 16/476; Y10T  
74/20828; Y10T 74/20822; Y10T 16/466;  
Y10T 16/4713; Y10T 16/4707; Y10T  
16/44; Y10T 74/2078; Y10T 74/20732;  
Y10T 74/20864; Y10T 16/4559; Y10T  
74/2028; Y10T 292/57; Y10T 16/4576;  
Y10T 408/96; Y10T 74/20612; Y10T  
407/1825; Y10T 74/20642; Y10T 408/65;  
Y10T 70/5872; Y10T 74/2042; Y10T  
74/20396; Y10T 29/53943; Y10T  
403/1649; B25G 1/102; B25G 1/10;  
B25G 1/105; B25G 3/00; B25G 1/085  
See application file for complete search history.

(56) **References Cited**  
U.S. PATENT DOCUMENTS

D262,551 S \* 1/1982 Argandona ..... D8/307  
6,347,786 B1 2/2002 Lai

OTHER PUBLICATIONS

Jorgensen, R.A., "Diesel Particulate Filter Lift," U.S. Appl. No. 29/688,983, filed Apr. 25, 2019, 9 pages.

Primary Examiner — Lauren R Calve

(74) Attorney, Agent, or Firm — Christensen O'Connor Johnson Kindness, PLLC

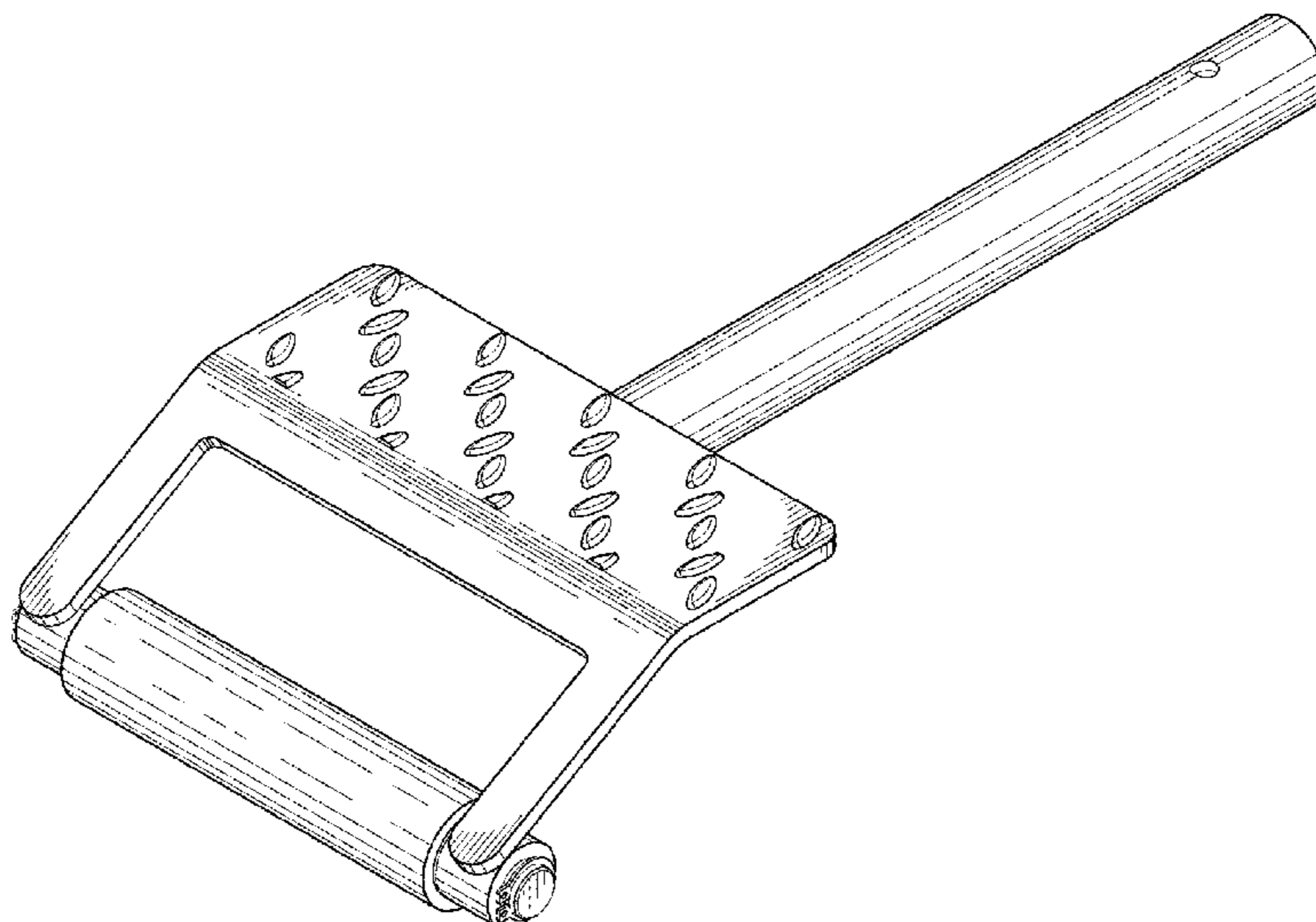
(57) **CLAIM**

The ornamental design for a handle/pedal for an actuator, as shown.

**DESCRIPTION**

FIG. 1 is an upper front right view of a handle/pedal for an actuator in accordance with the present design;  
FIG. 2 is a top view of the handle/pedal for an actuator shown in FIG. 1;  
FIG. 3 is a bottom view of the handle/pedal for an actuator shown in FIG. 1;  
FIG. 4 is a front view of the handle/pedal for an actuator shown in FIG. 1;  
FIG. 5 is a rear view of the handle/pedal for an actuator shown in FIG. 1;  
FIG. 6 is a left side view of the handle/pedal for an actuator shown in FIG. 1; and,  
FIG. 7 is a right side view of the handle/pedal for an actuator shown in FIG. 1.

**1 Claim, 3 Drawing Sheets**



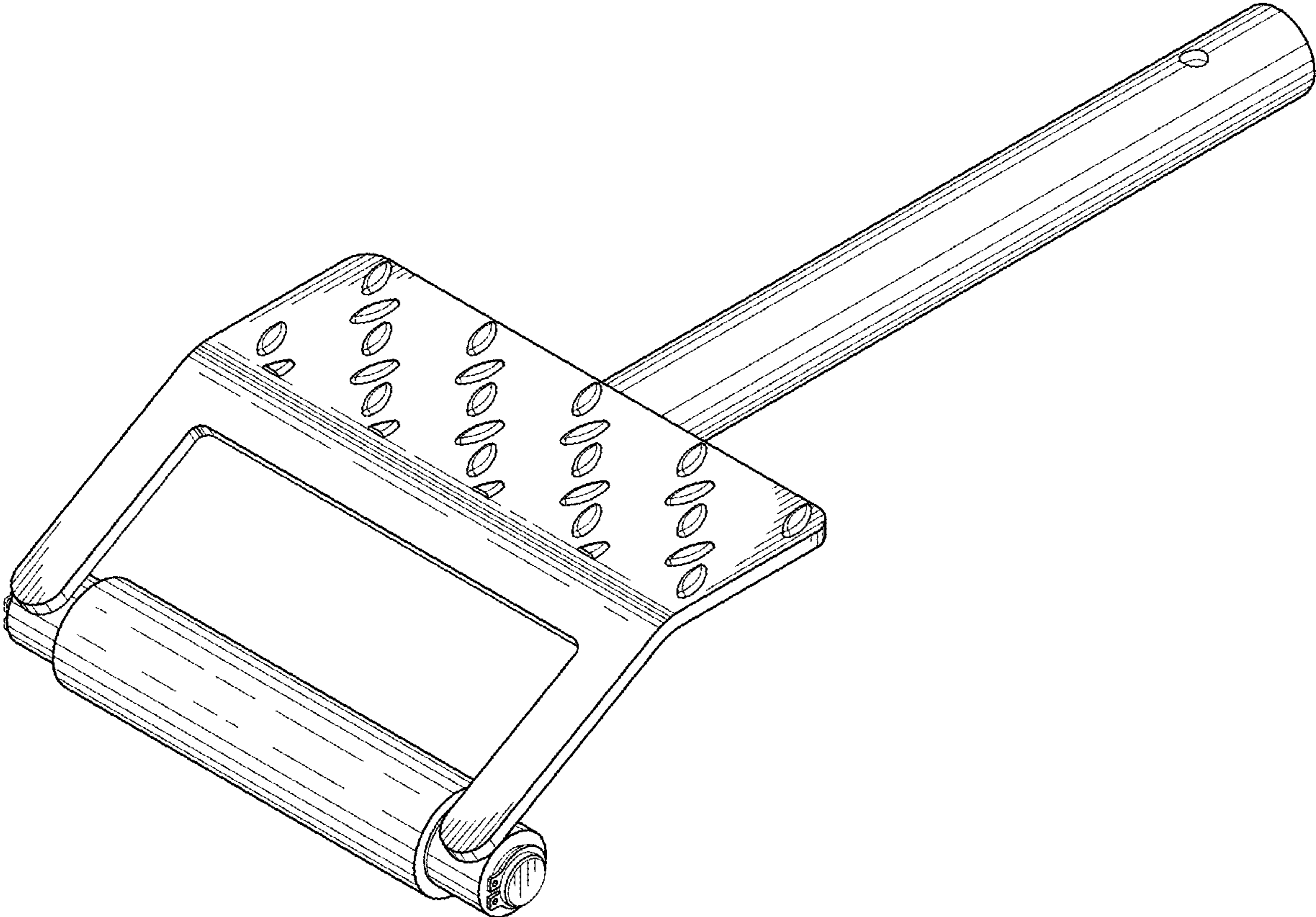
(56)

**References Cited**

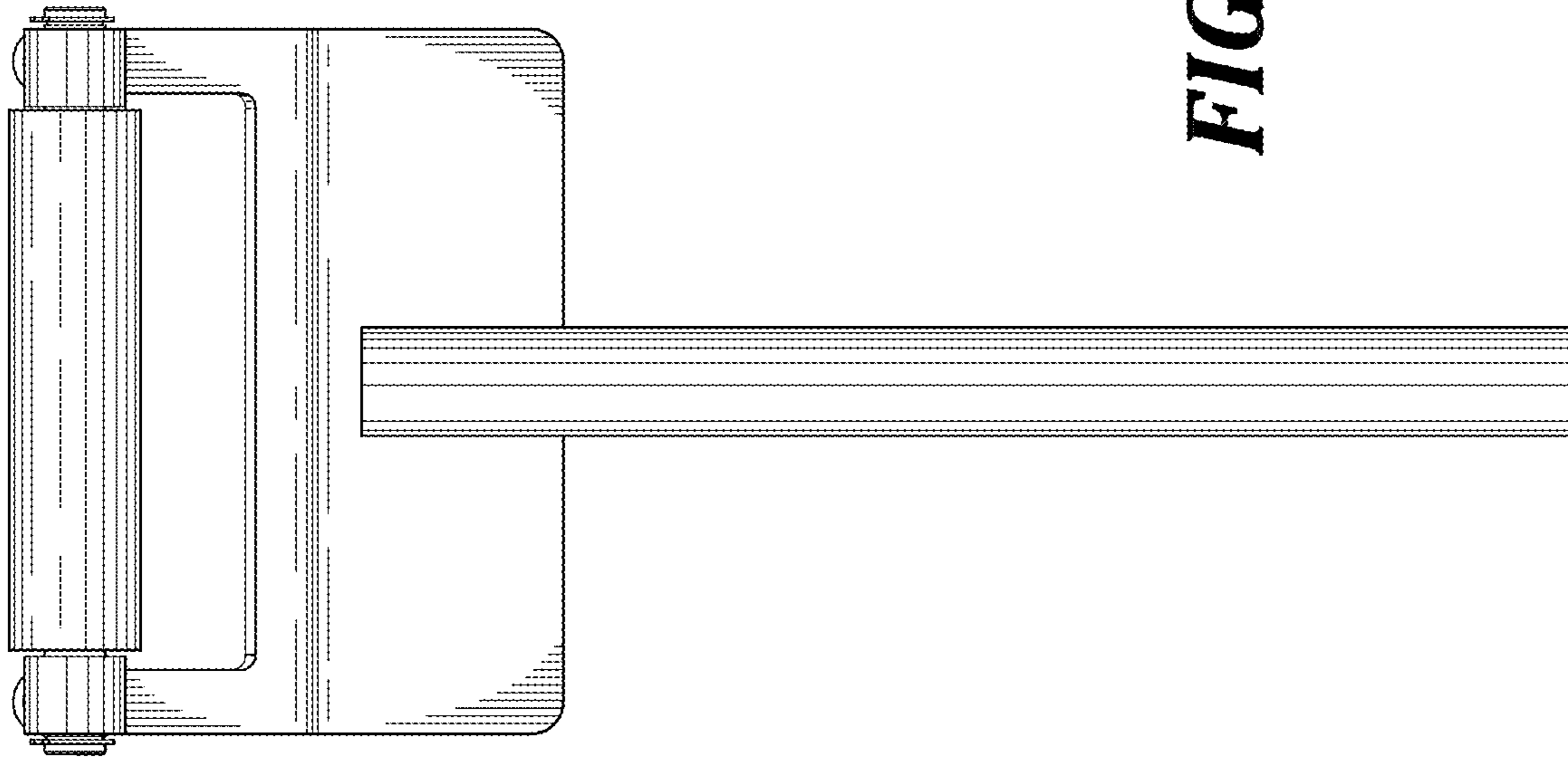
U.S. PATENT DOCUMENTS

2016/0122165 A1\* 5/2016 Martinez Martinez ... B66F 5/04  
254/93 H  
2018/0016764 A1\* 1/2018 Hamilton ..... E02D 13/00

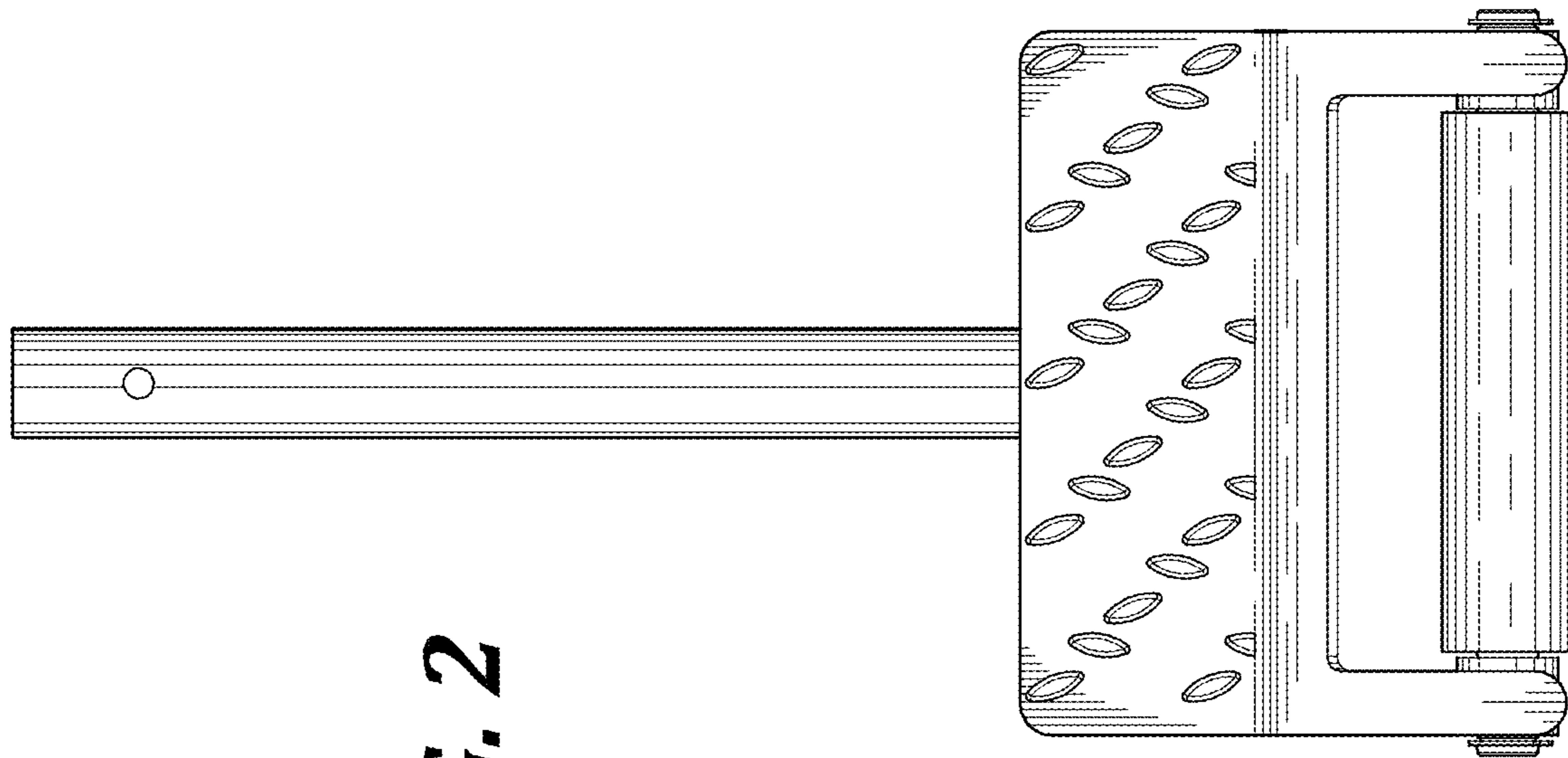
\* cited by examiner



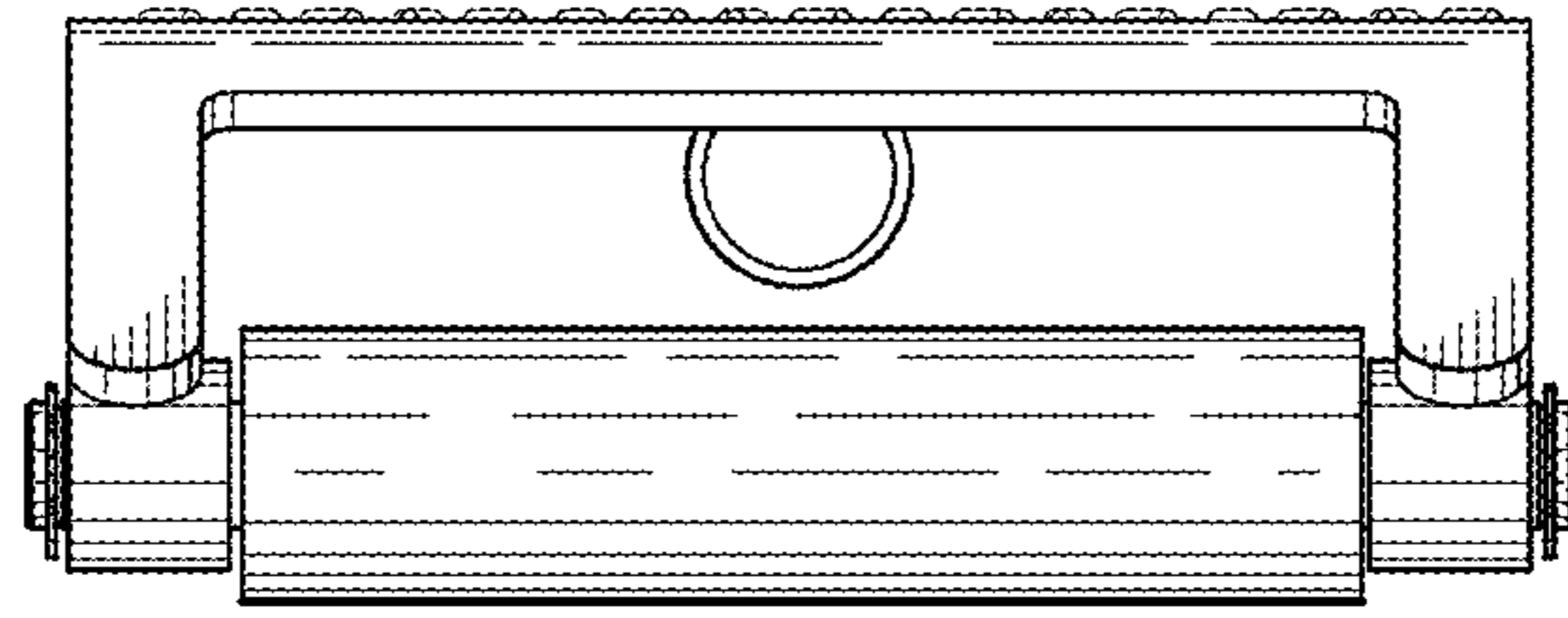
**FIG. 1**



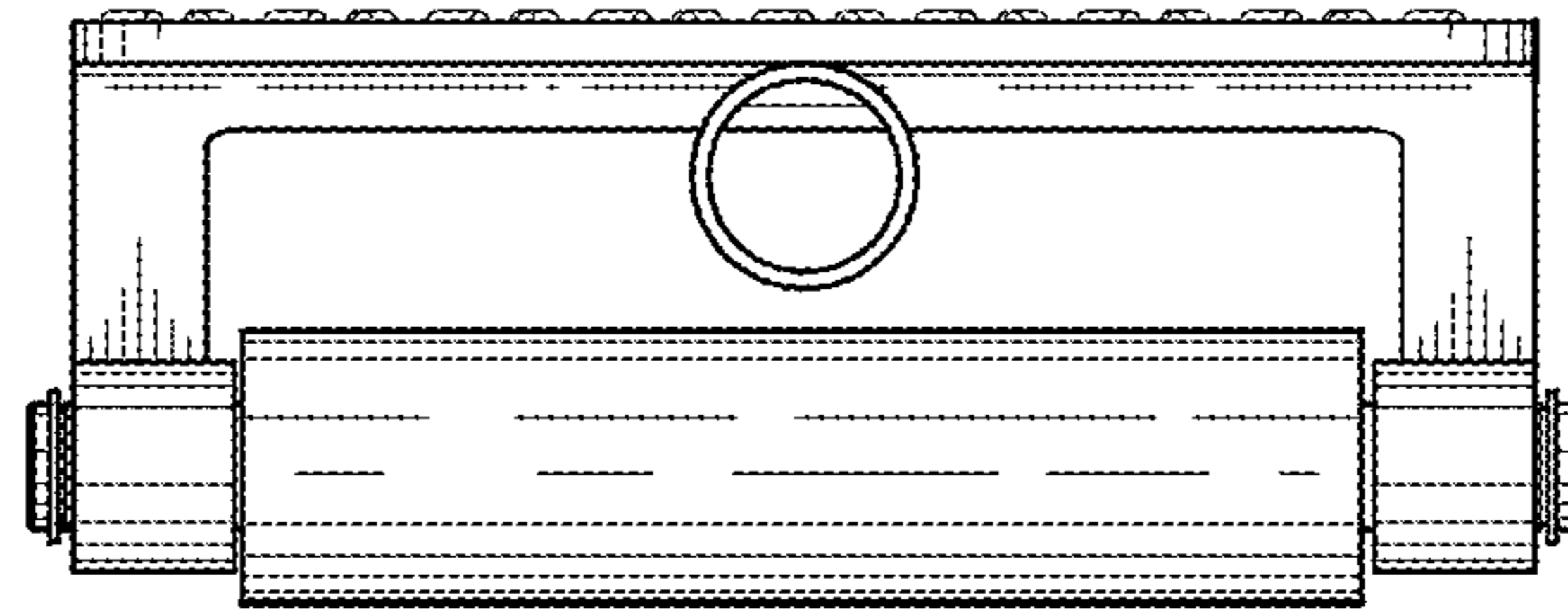
**FIG. 3**



**FIG. 2**



**FIG. 4**



**FIG. 5**



**FIG. 6**



**FIG. 7**