

US00D891218S

(12) **United States Design Patent** (10) **Patent No.:** **US D891,218 S**
Su (45) **Date of Patent:** **** Jul. 28, 2020**

(54) **TOOL HANDLE**
(71) Applicant: **Hong Ann Tool Industries Co., Ltd.,**
Taichung (TW)
(72) Inventor: **Cheng-Wei Su,** Taichung (TW)
(73) Assignee: **Hong Ann Tool Industries Co., Ltd.,**
Taichung (TW)
(**) Term: **15 Years**
(21) Appl. No.: **29/655,024**
(22) Filed: **Jun. 29, 2018**
(51) **LOC (12) Cl.** **08-05**
(52) **U.S. Cl.**
USPC **D8/107; D8/21**
(58) **Field of Classification Search**
USPC D8/21, 14, 82, 83, 84, 85, 107, 97
CPC ... B25G 3/06; B25G 3/00; B25G 1/00; B25G
3/24; B25G 1/06; B25G 1/063; B25B
15/00; B25B 13/00; B25B 23/00
See application file for complete search history.

D552,949 S * 10/2007 Strahorn D8/21
D555,445 S * 11/2007 Strahorn D8/21
D565,380 S * 4/2008 Rinner D8/107
D586,634 S * 2/2009 Lai D8/21
D596,471 S * 7/2009 Huang D8/21
D613,139 S * 4/2010 Lai D8/21
D618,527 S * 6/2010 Deguglimo D8/29
D664,408 S * 7/2012 Mitchell D8/21
8,820,195 B2 * 9/2014 Pelletier B25B 13/06
81/124.4
D758,813 S * 6/2016 Christopher D8/21
D824,130 S * 7/2018 Vosbikian D32/52
2003/0188605 A1 * 10/2003 Chang B25B 15/02
81/60

* cited by examiner

Primary Examiner — Philip S Hyder
(74) *Attorney, Agent, or Firm* — Alan D. Kamrath; Karin
L. Williams; Mayer & Williams PC

(57) **CLAIM**

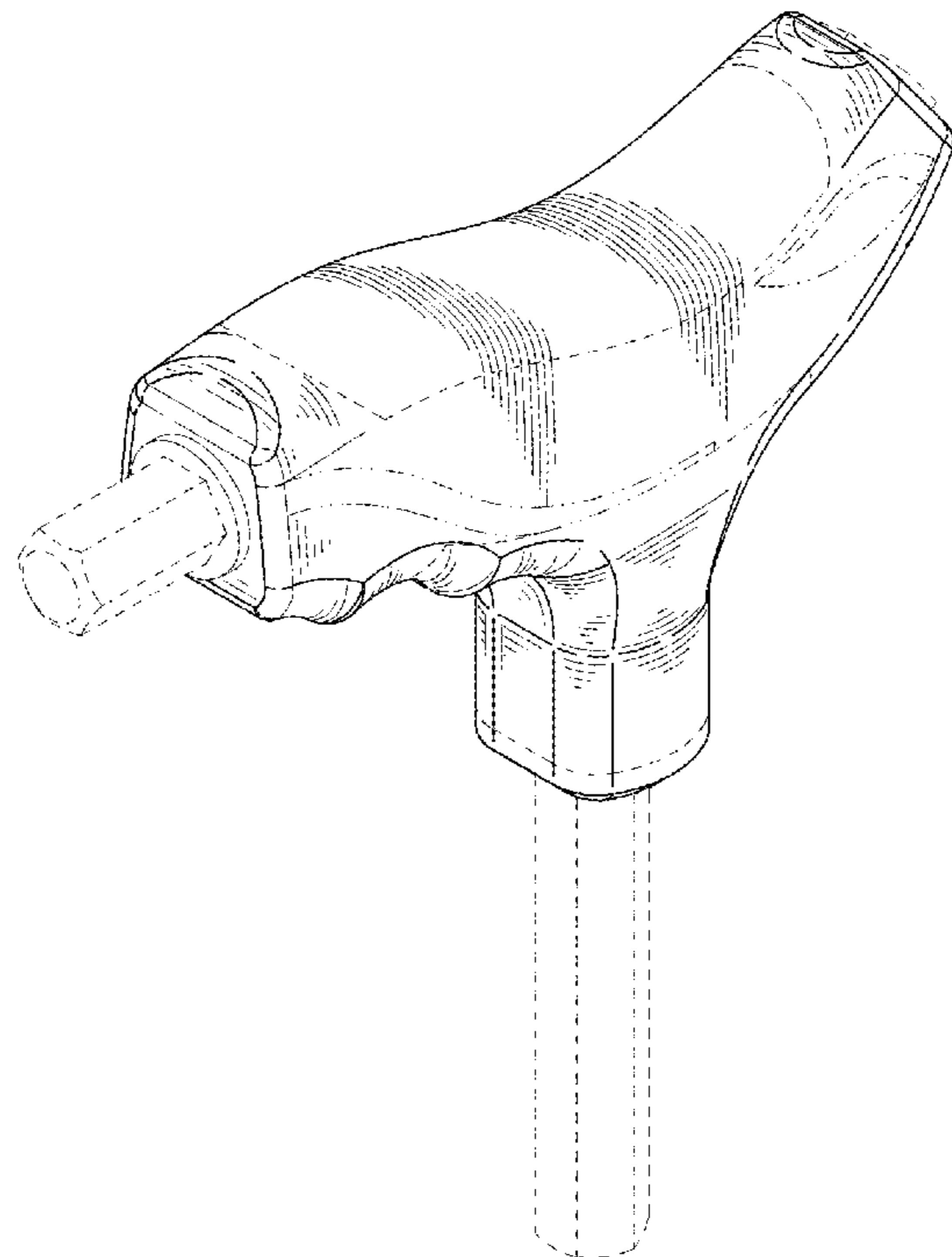
The ornamental design for a tool handle, as shown and described.

DESCRIPTION

FIG. 1 is a perspective view of a tool handle showing my new design;
FIG. 2 is a front view thereof;
FIG. 3 is a left view thereof;
FIG. 4 is a right view thereof;
FIG. 5 is a top view thereof; and,
FIG. 6 is a bottom view thereof.
The broken lines showing the hex ends are provided for purposes of environment and form no part of the claimed design.

1 Claim, 6 Drawing Sheets

(56) **References Cited**
U.S. PATENT DOCUMENTS
D217,324 S * 4/1970 Michels D8/29
D339,279 S * 9/1993 Baum D8/83
D378,797 S * 4/1997 Poremba D8/107
D394,794 S * 6/1998 Vasudeva D8/107
5,822,830 A * 10/1998 Lin B25G 1/005
16/422
D454,045 S * 3/2002 Rinner D8/107
D486,723 S * 2/2004 Chang D8/21
D547,624 S * 7/2007 Strahorn D8/21



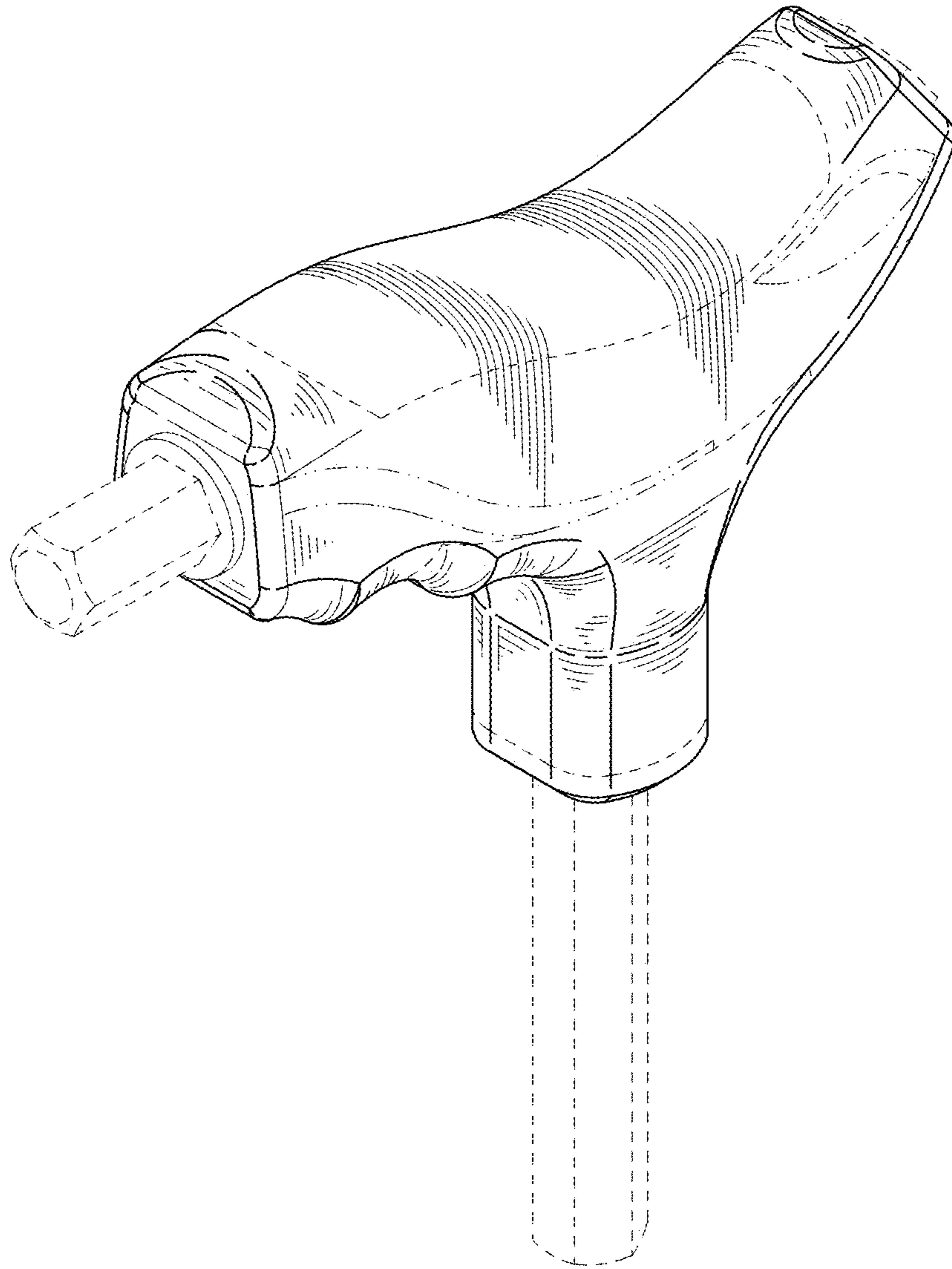


FIG. 1

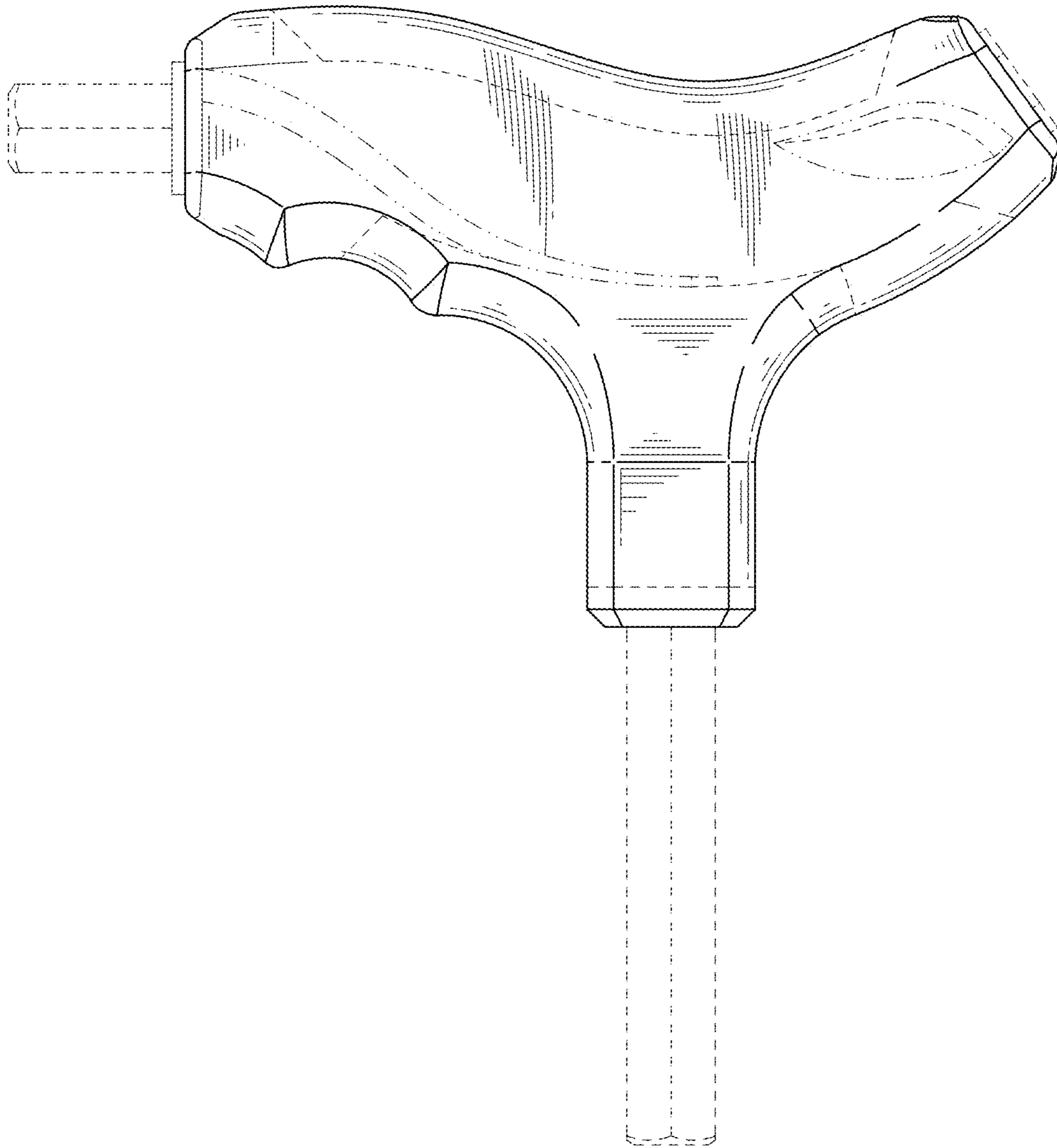


FIG. 2

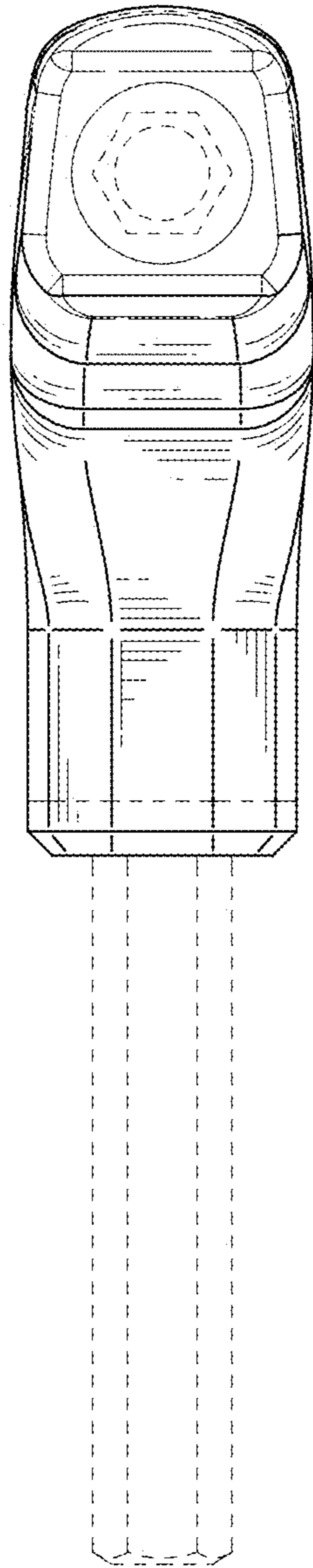


FIG. 3

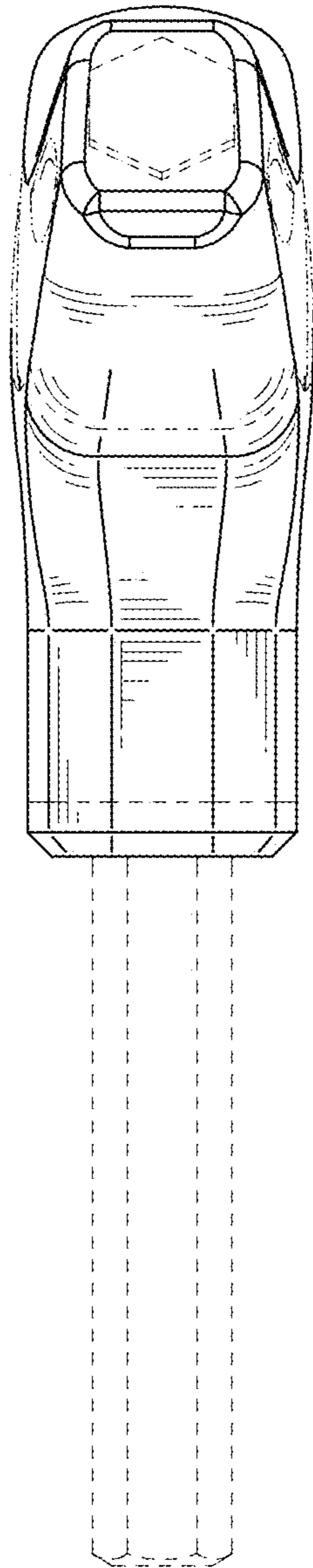


FIG. 4

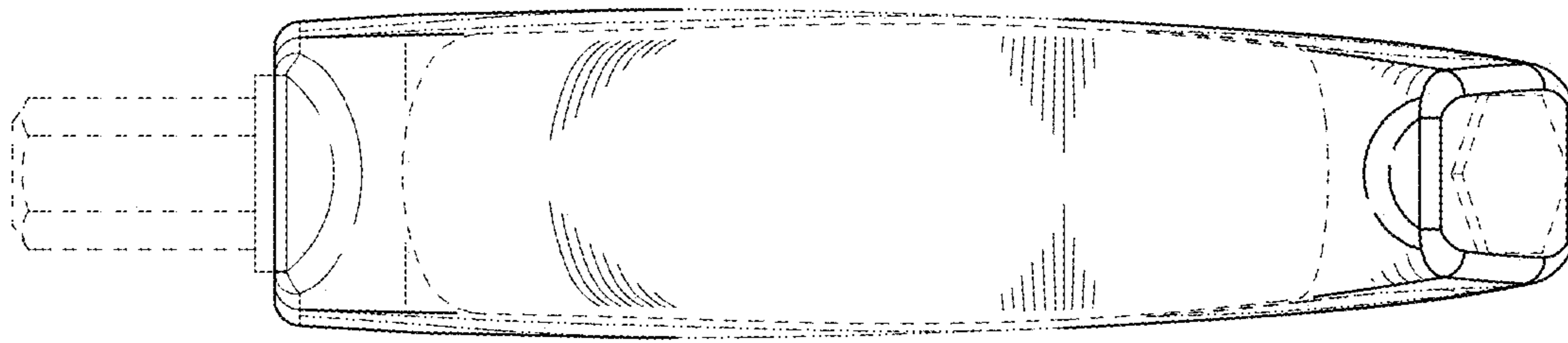


FIG. 5

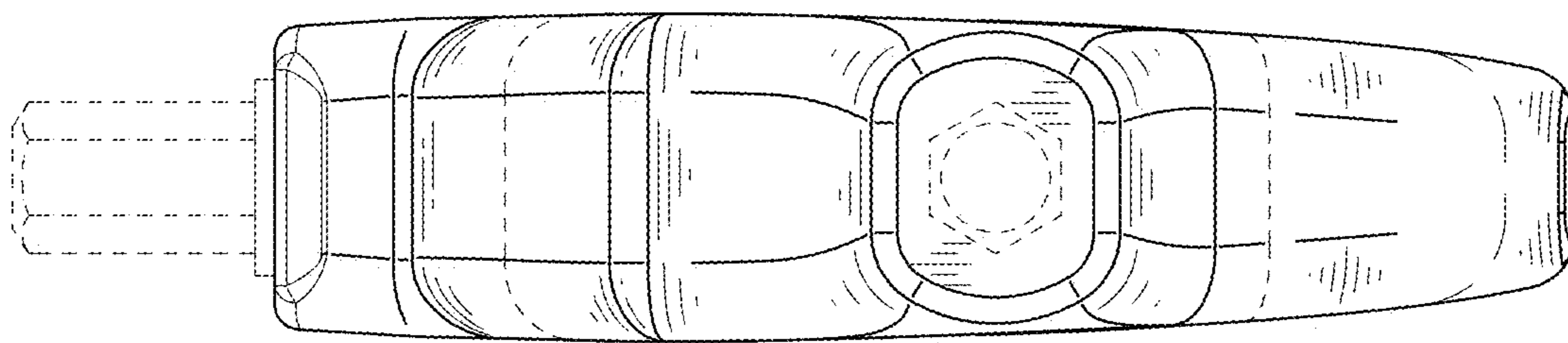


FIG. 6