



US00D891217S

(12) **United States Design Patent**  
**Latham**

(10) **Patent No.:** **US D891,217 S**  
(45) **Date of Patent:** **\*\* Jul. 28, 2020**

(54) **COMBINATION SEATBELT CUTTER AND WINDOW BREAKER FOR USE WITH AN ICE SCRAPER**

(71) Applicant: **Jeffery Scott Latham**, Nooksack, WA (US)

(72) Inventor: **Jeffery Scott Latham**, Nooksack, WA (US)

(\*\*) Term: **15 Years**

(21) Appl. No.: **29/632,155**

(22) Filed: **Jan. 5, 2018**

(51) **LOC (12) Cl.** ..... **08-05**

(52) **U.S. Cl.**  
USPC ..... **D8/105; D8/98; D32/42**

(58) **Field of Classification Search**  
USPC ..... D8/105, 81, 88, 89, 14, 16-19, 21, 51, D8/98, 99, 104, 45, 48; D32/42, 46, 48  
CPC . B25G 1/10; B25B 13/04; B66F 15/00; B66F 17/00  
See application file for complete search history.

(56) **References Cited**

U.S. PATENT DOCUMENTS

- 5,251,351 A \* 10/1993 Klotz ..... A47L 1/08 7/100
- D365,163 S \* 12/1995 Brogliato ..... D26/38
- 5,642,567 A \* 7/1997 Lin ..... A62B 3/005 30/366
- D403,452 S \* 12/1998 Kim ..... D26/38
- 5,952,916 A \* 9/1999 Yamabe ..... B25D 1/00 340/321
- 6,454,430 B1 \* 9/2002 Lin ..... A62B 3/005 362/109
- 6,666,566 B1 \* 12/2003 Uke ..... F21V 33/0064 362/109
- D515,902 S \* 2/2006 Kim ..... D8/105
- D575,182 S \* 8/2008 Rubin ..... D10/104.1
- D577,562 S \* 9/2008 Lin ..... D8/105

- D595,105 S \* 6/2009 White ..... D8/105
- D699,542 S \* 2/2014 Rubin ..... D8/105
- D707,097 S \* 6/2014 Kao ..... D29/124
- D728,338 S \* 5/2015 Hicks ..... D8/105
- D732,369 S \* 6/2015 Rubin ..... D8/105
- D794,408 S \* 8/2017 Colasse ..... D8/81
- D878,883 S \* 3/2020 Hu ..... D8/14
- 2009/0265858 A1 \* 10/2009 White ..... A62B 3/005 7/158
- 2014/0259438 A1 \* 9/2014 Rubin ..... B25F 1/006 7/163

\* cited by examiner

*Primary Examiner* — Janice Hallmark

(74) *Attorney, Agent, or Firm* — Michael J. Tavella

(57) **CLAIM**

The ornamental design for an combination seatbelt cutter and window breaker for use with an ice scraper, as shown and described.

**DESCRIPTION**

FIG. 1 is a right side elevation view of my combination seatbelt cutter and window breaker for use with an ice scraper, showing my new design.

FIG. 2 is a rear elevation view thereof.

FIG. 3 is a left side elevation view thereof.

FIG. 4 is a front elevation view thereof.

FIG. 5 is a top plan view thereof.

FIG. 6 is a bottom plan view thereof.

FIG. 7 is a perspective view thereof.

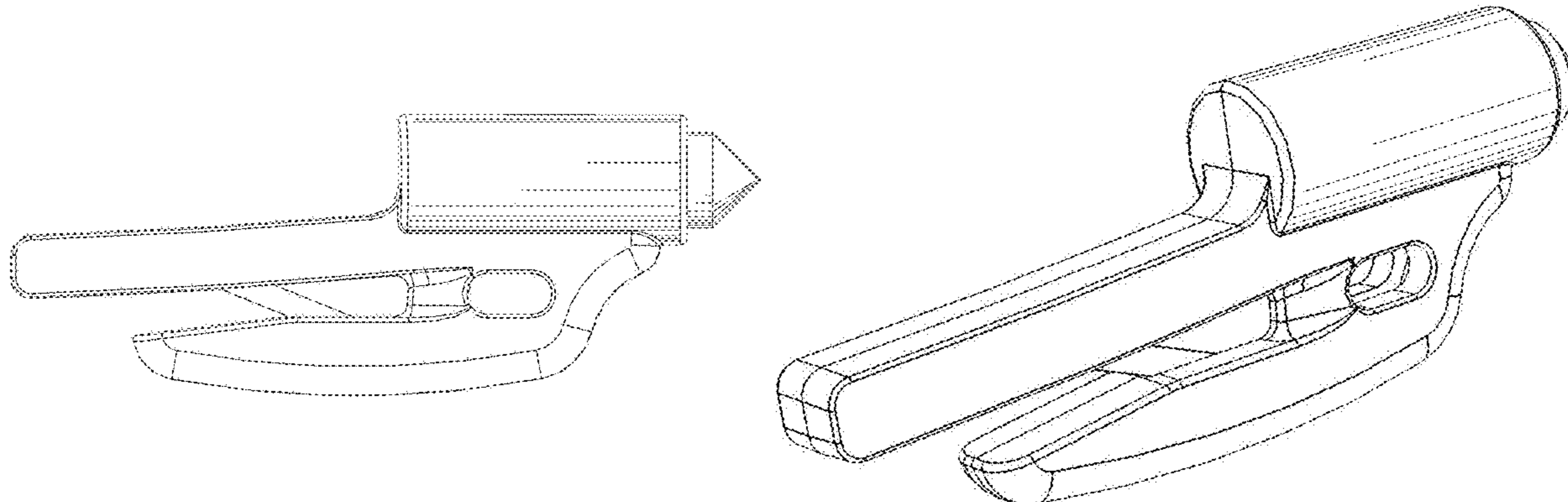
FIG. 8 is a right side elevation view of my design as installed on an ice scraper.

FIG. 9 is a bottom plan view of my new design as installed on an ice scraper; and,

FIG. 10 is a rear elevation view of my new design as installed on an ice scraper.

The broken lines in the figure drawings 8, 9 and 10 represent unclaimed environment only and forms no part of the claimed design.

**1 Claim, 7 Drawing Sheets**



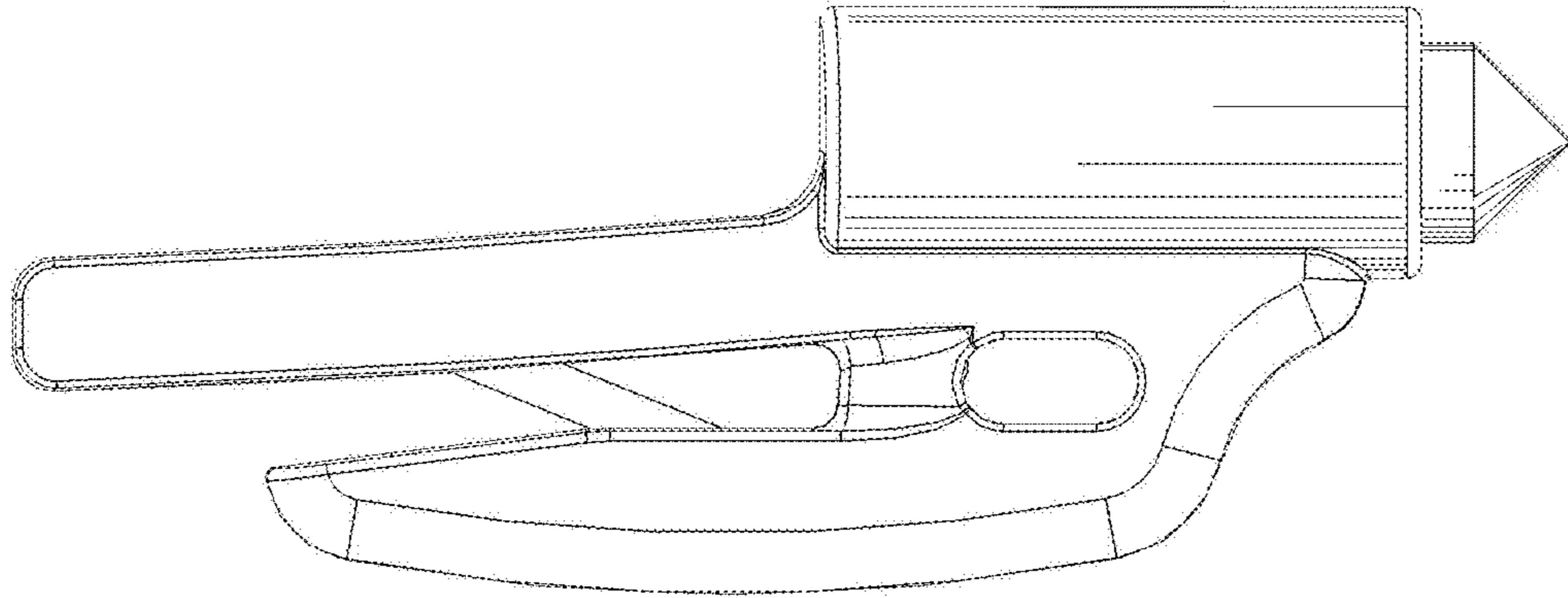


Figure 1

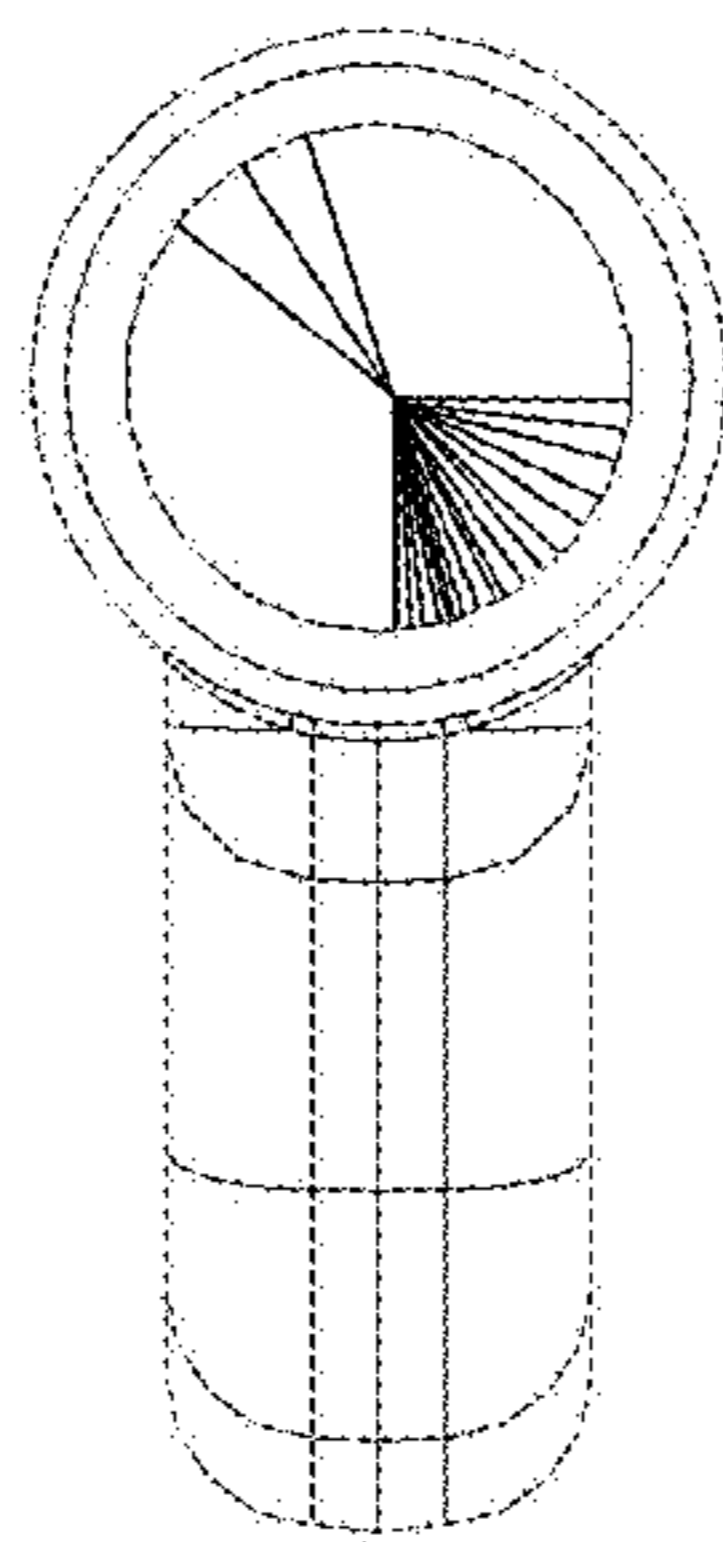


Figure 2

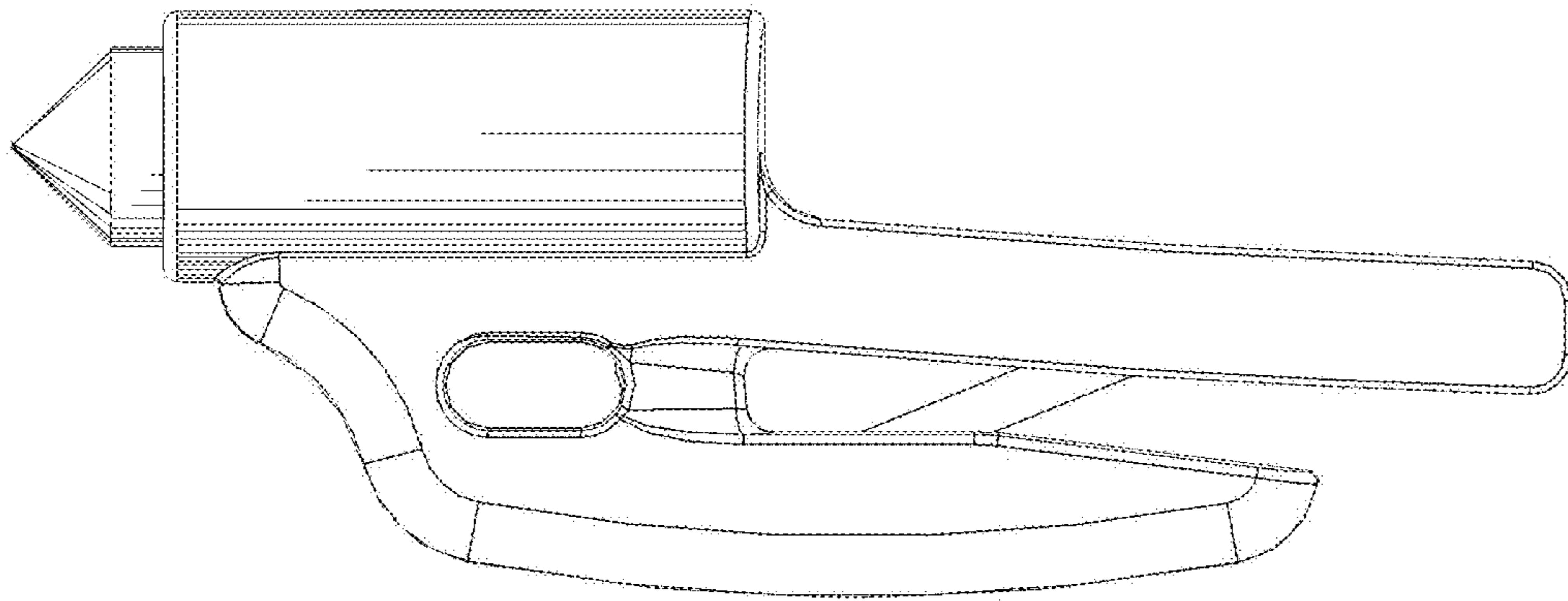


Figure 3

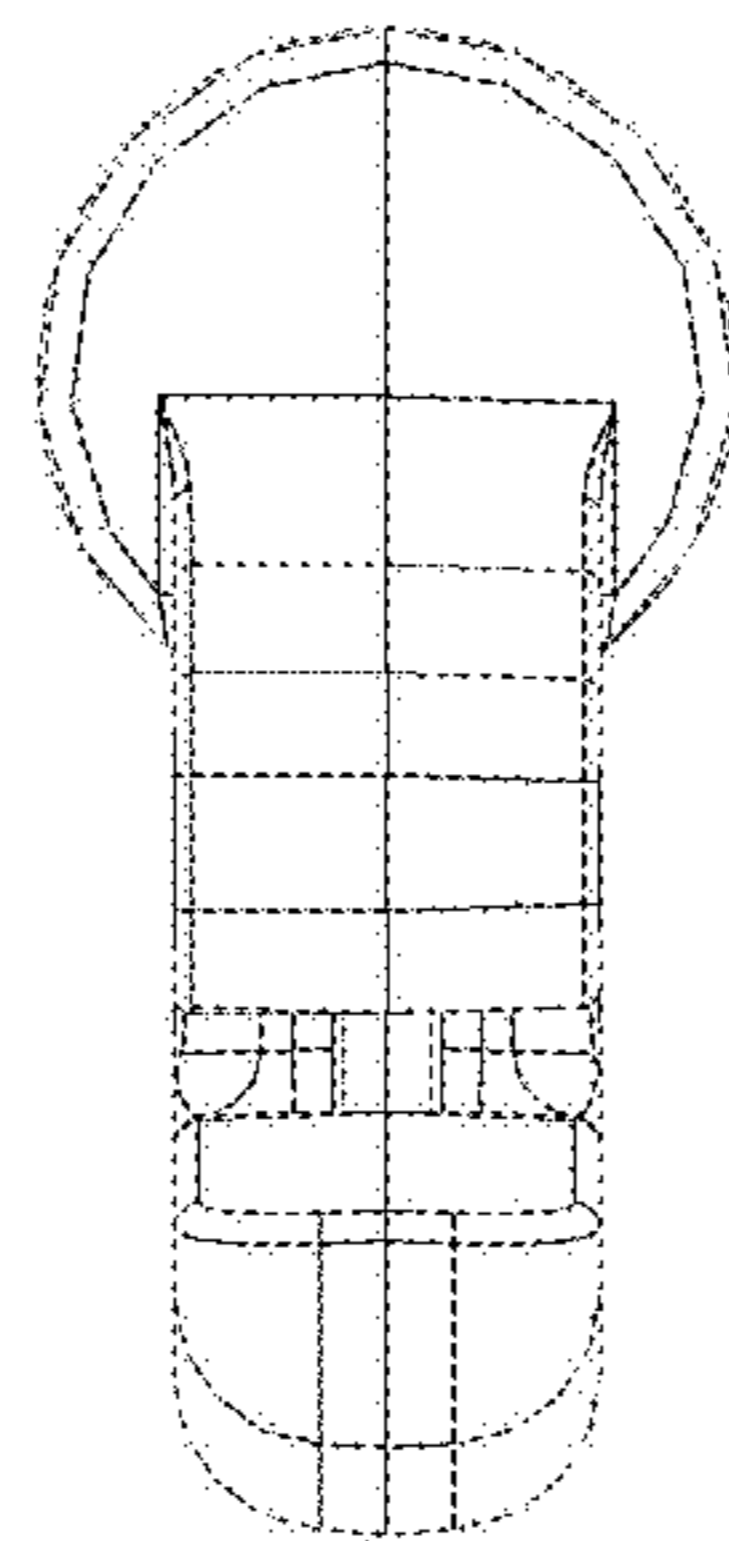


Figure 4

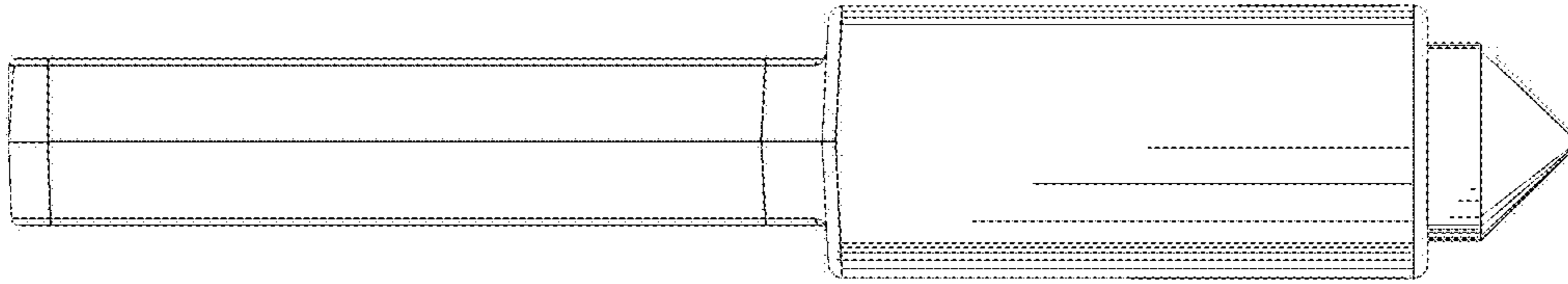


Figure 5

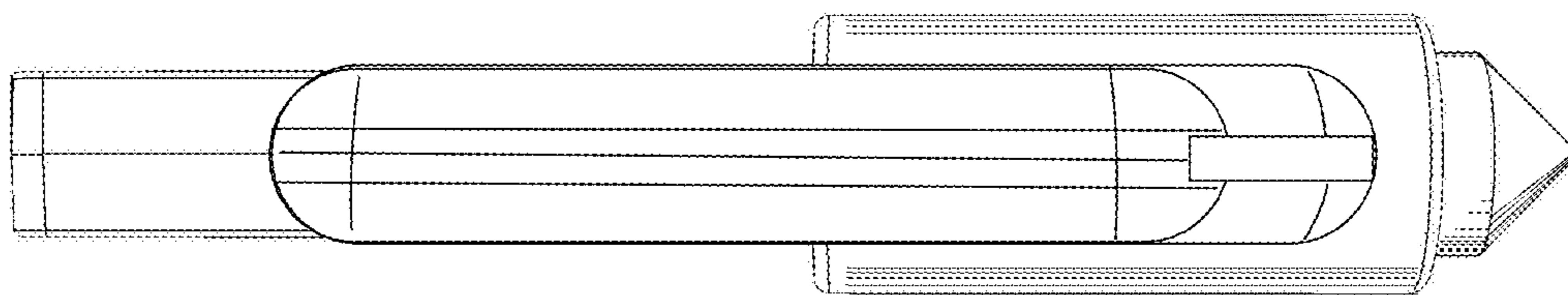


Figure 6

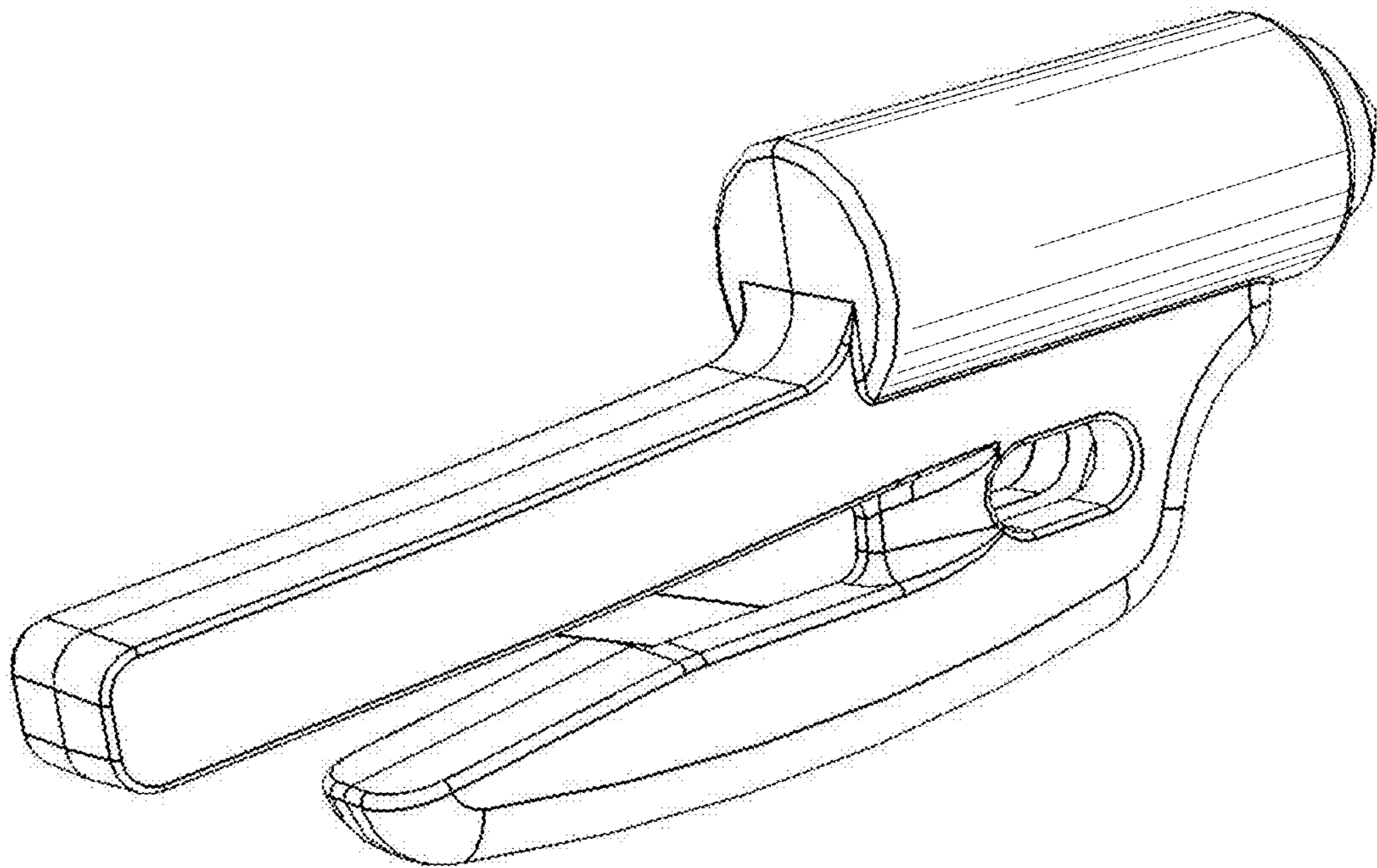


Figure 7

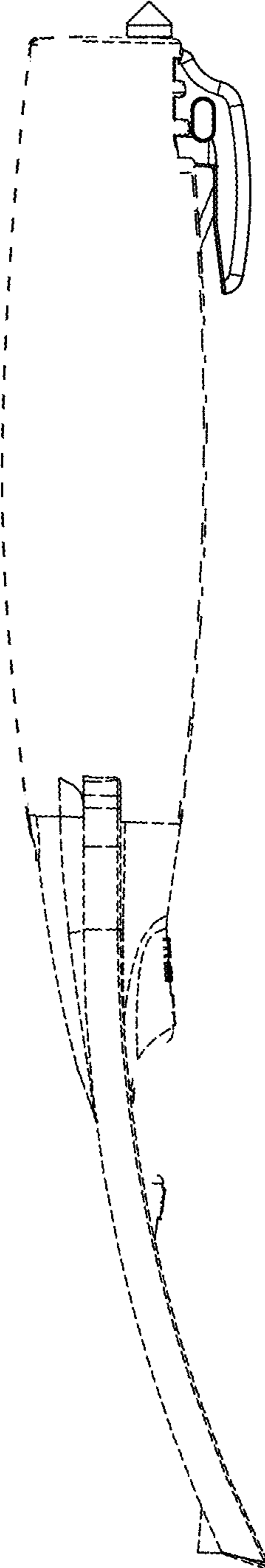


Figure 8



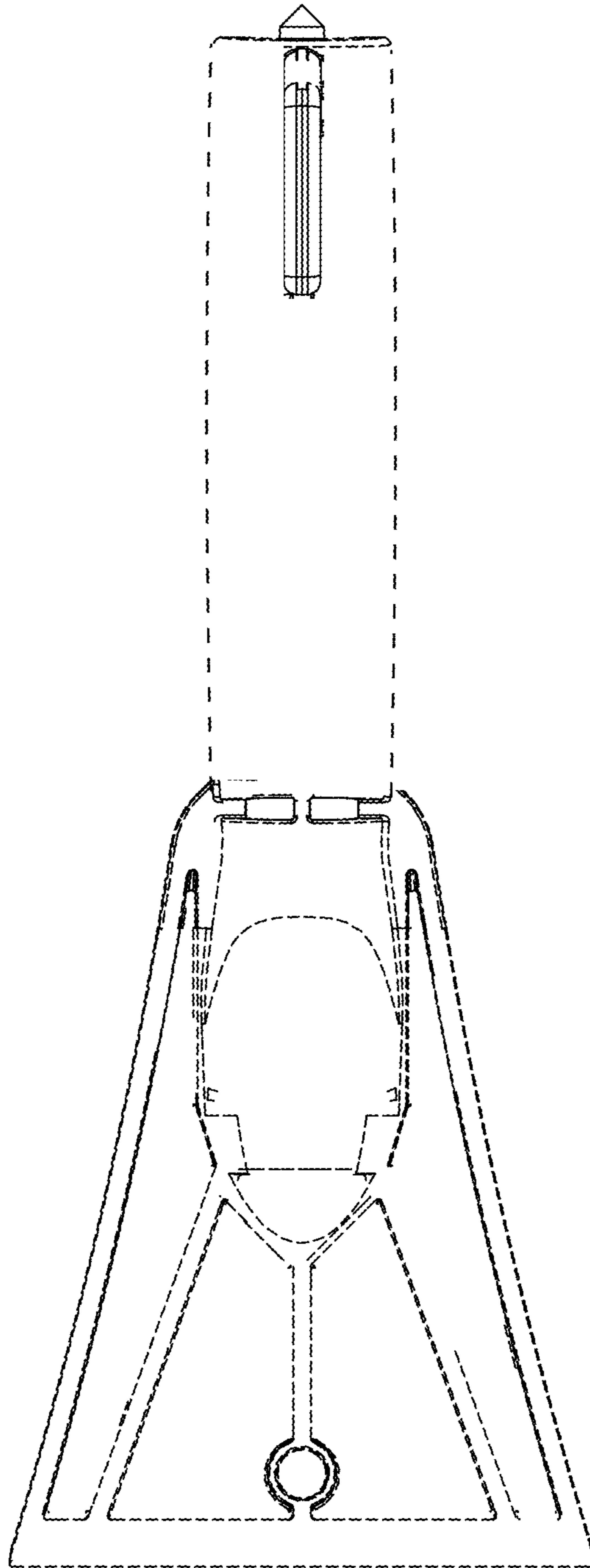


Figure 9

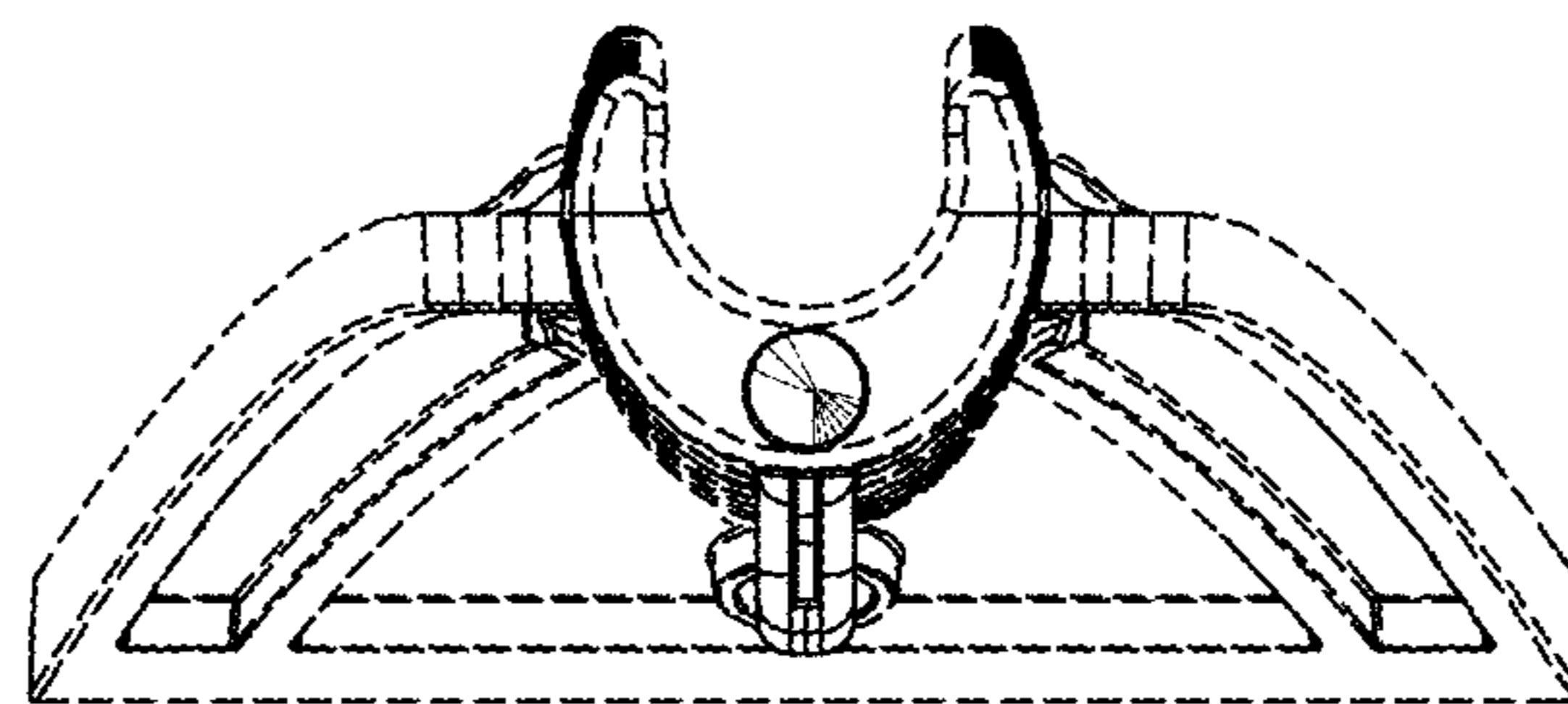


Figure 10