

US00D891216S

(12) **United States Design Patent** (10) **Patent No.:** **US D891,216 S**
Bloch (45) **Date of Patent:** **** Jul. 28, 2020**

(54) **KNIFE**

FOREIGN PATENT DOCUMENTS

(71) Applicant: **Outdoor Edge Cutlery Corporation,**
Denver, CO (US)

AU 2006202953 8/2006
CA 2481333 6/2005

(Continued)

(72) Inventor: **David R. Bloch,** Morrison, CO (US)

OTHER PUBLICATIONS

(73) Assignee: **Outdoor Edge Cutlery Corporation,**
Denver, CO (US)

“Installation Guide,” Masonry Veneer Manufacturers Association,
2009, retrieved from https://web.archive.org/web/*/http://www.masonryveneer.org/pdf/MVMAManualDesign_web.pdf, 48 pages.

(Continued)

(**) Term: **15 Years**

(21) Appl. No.: **29/684,924**

(22) Filed: **Mar. 25, 2019**

Primary Examiner — Philip S Hyder

(74) *Attorney, Agent, or Firm* — FisherBroyles, LLP;
Craig W. Mueller

Related U.S. Application Data

(63) Continuation of application No. 29/614,719, filed on
Aug. 22, 2017, now Pat. No. Des. 843,808, which is
a continuation of application No. 29/551,898, filed on
Jan. 18, 2016, now Pat. No. Des. 795,040, which is a
continuation of application No. 29/507,979, filed on
Oct. 31, 2014, now Pat. No. Des. 747,637.

(57) **CLAIM**

The ornamental design for a knife, as shown and described.

(51) **LOC (12) Cl.** **08-03**

(52) **U.S. Cl.**
USPC **D8/99**

(58) **Field of Classification Search**
USPC D8/20, 98, 99, 100, 105; D22/118
CPC .. B26B 1/04; B26B 1/046; B26B 1/02; B26B
1/10; B26B 1/00; B26B 9/00; B26B 5/00
See application file for complete search history.

DESCRIPTION

FIG. 1 is a perspective view of the knife;
FIG. 2 is a front elevation view thereof;
FIG. 3 is a rear elevation view thereof;
FIG. 4 is a right elevation view thereof;
FIG. 5 is a left elevation view thereof;
FIG. 6 is a top plan view thereof;
FIG. 7 is a bottom plan view thereof;
FIG. 8 is a perspective view of another embodiment of the
knife;
FIG. 9 is a front elevation view thereof;
FIG. 10 is a rear elevation view thereof;
FIG. 11 is a right elevation view thereof;
FIG. 12 is a left elevation view thereof;
FIG. 13 is a top plan view thereof; and,
FIG. 14 is a bottom plan view thereof.
The broken lines depict portions of the knife that are not
considered part of the claimed design.

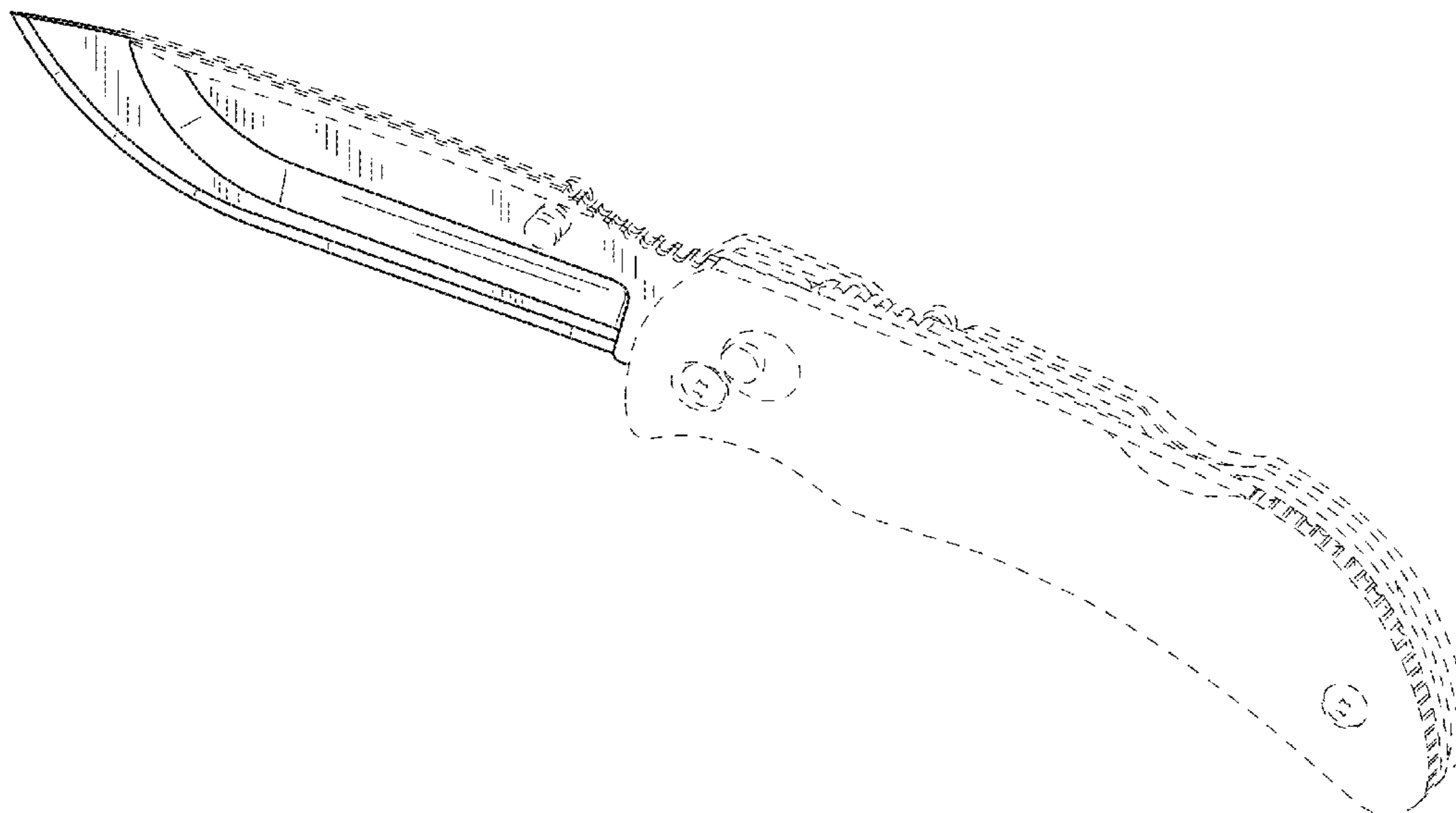
(56) **References Cited**

U.S. PATENT DOCUMENTS

1,738,365 A 12/1929 Gahagan
D100,877 S 8/1936 Parker et al.
D172,377 S 6/1954 Woofter
3,488,843 A 1/1970 Tims, Jr.
3,772,955 A 11/1973 Pearl

(Continued)

1 Claim, 8 Drawing Sheets



(56)

References Cited

U.S. PATENT DOCUMENTS

3,896,546 A 7/1975 Hildebrandt
 4,161,818 A 7/1979 Phelps
 4,173,071 A 11/1979 Ishida
 D265,719 S 8/1982 Dowdy
 D277,452 S 2/1985 Ulvtorp
 D333,251 S 2/1993 Glesser
 5,272,812 A 12/1993 Doucette
 5,442,855 A 8/1995 Jobin
 5,511,310 A 4/1996 Sessions et al.
 D371,288 S 7/1996 Thompson
 D383,370 S 9/1997 Chen et al.
 D385,471 S 10/1997 Seber et al.
 5,689,889 A 11/1997 Overholt
 D392,539 S 3/1998 Balolia
 D393,405 S 4/1998 Seber et al.
 6,044,566 A 4/2000 Ries et al.
 6,058,611 A 5/2000 Rickard
 D442,461 S 5/2001 Glesser
 6,263,581 B1 7/2001 Forte
 6,397,476 B1 6/2002 Onion
 6,446,341 B1 9/2002 Wang et al.
 6,574,868 B1 6/2003 Overholt
 D501,782 S 2/2005 Ping
 D510,250 S 10/2005 Ping
 D516,403 S 3/2006 Ping
 D517,893 S 3/2006 Ping
 D519,019 S 4/2006 Ping
 D522,835 S 6/2006 Ping
 D526,878 S 8/2006 Ping
 D528,894 S 9/2006 Ping
 D528,895 S 9/2006 Ping
 7,134,207 B2 11/2006 Ping
 D535,171 S 1/2007 Ping
 7,172,611 B2 2/2007 Harding et al.
 D543,822 S 6/2007 Ping
 D545,165 S 6/2007 Ping
 D546,158 S 7/2007 Ping
 D551,050 S 9/2007 Ping
 D552,955 S 10/2007 Ping
 D562,651 S 2/2008 Harkey
 D564,326 S 3/2008 Tsuda et al.
 D567,055 S 4/2008 Renzi et al.
 D568,136 S 5/2008 Ping
 D573,435 S 7/2008 Tsuda et al.
 D574,691 S 8/2008 Ping
 D578,858 S 10/2008 Ping
 D579,299 S 10/2008 Ping
 D583,643 S 12/2008 Ping
 D584,125 S 1/2009 Ping
 7,480,997 B2 1/2009 Ping
 D592,033 S 5/2009 Bloch
 D593,838 S 6/2009 Williams
 D600,090 S * 9/2009 Yang-Fu D8/99
 D613,145 S * 4/2010 Yang-Fu D8/99
 7,900,363 B1 3/2011 White
 D654,144 S 2/2012 Karlsson et al.
 8,381,407 B1 2/2013 White
 8,935,855 B2 1/2015 Qiu

D728,339 S * 5/2015 Bloch D8/99
 D738,181 S 9/2015 Kanaan
 D747,637 S * 1/2016 Bloch D8/99
 D751,882 S 3/2016 Bloch
 D764,888 S * 8/2016 Bloch D8/99
 D795,040 S * 8/2017 Bloch D8/99
 D843,808 S * 3/2019 Bloch D8/99
 D848,812 S * 5/2019 Bloch D8/99
 2004/0226173 A1 11/2004 Ping
 2004/0231169 A1 11/2004 Roberson
 2005/0138816 A1 6/2005 Ping
 2005/0229404 A1 10/2005 Nordqvist et al.
 2006/0064877 A1 3/2006 Vallotton et al.
 2007/0006466 A1 1/2007 Ping
 2007/0294895 A1 12/2007 Ping
 2008/0148576 A1 6/2008 Ping
 2010/0175267 A1 7/2010 Seber et al.
 2010/0299935 A1 12/2010 Ping
 2011/0023308 A1 2/2011 Ping
 2012/0030949 A1 2/2012 Ping
 2012/0227267 A1 9/2012 Qiu
 2013/0227794 A1 9/2013 Wang
 2013/0255087 A1 10/2013 Wang
 2014/0115851 A1 * 5/2014 Bloch B26B 9/00
 29/402.08
 2014/0216605 A1 8/2014 Batty
 2016/0271809 A1 9/2016 Bloch

FOREIGN PATENT DOCUMENTS

CN 201677334 12/2010
 CN 102756384 10/2012
 CN 102990680 3/2013
 CN 102990681 3/2013
 EP 1570959 9/2005
 FR 2848138 6/2004
 FR 2864463 7/2005
 FR 2867716 9/2005
 FR 2870152 11/2005
 WO WO 2014/000347 1/2014
 WO WO 2014/082447 6/2014

OTHER PUBLICATIONS

“Welcome to Cosella-Dorken,” Cosella-Dorken Products, Inc., 2011, retrieved from <https://web.archive.org/web/20110723005431/http://www.cosella-dorken.com/bvf-ca-en/index.php>, 1 pages.
 “Versetta Stone,” Boral Stone Products, retrieved from <https://web.archive.org/web/20110513164732/http://masonry.owenscorning.com/versettastone>, 12 pages.
 Final Action for U.S. Appl. No. 14/516,572, dated Nov. 10, 2016, 15 pages.
 Official Action for U.S. Appl. No. 14/516,572, dated Jun. 13, 2016, 30 pages.
 Notice of Allowance for U.S. Appl. No. 13/420,143, dated Oct. 24, 2016, 5 pages.
 Official Action for U.S. Appl. No. 13/420,143, dated Sep. 22, 2016, 11 pages.

* cited by examiner

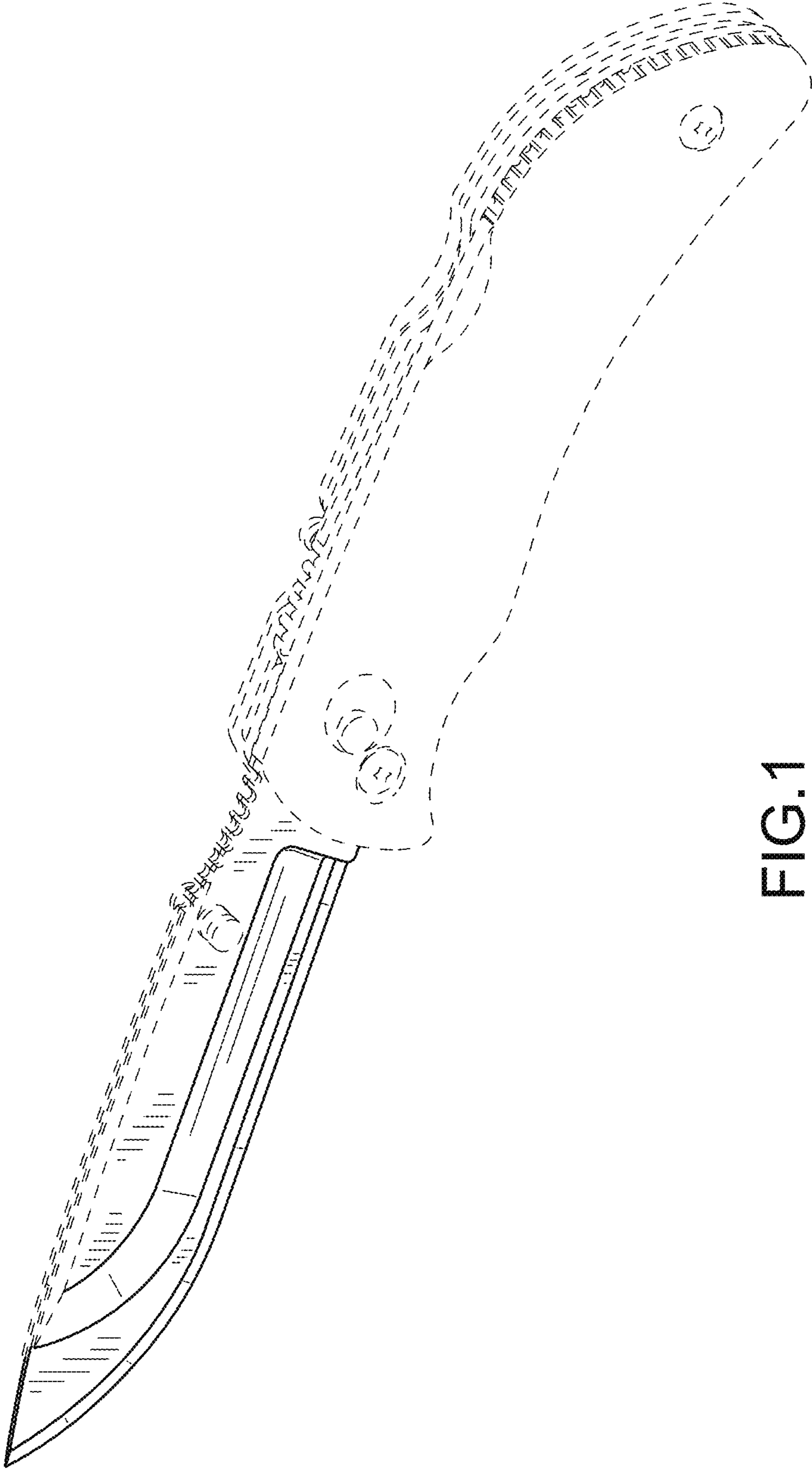


FIG. 1

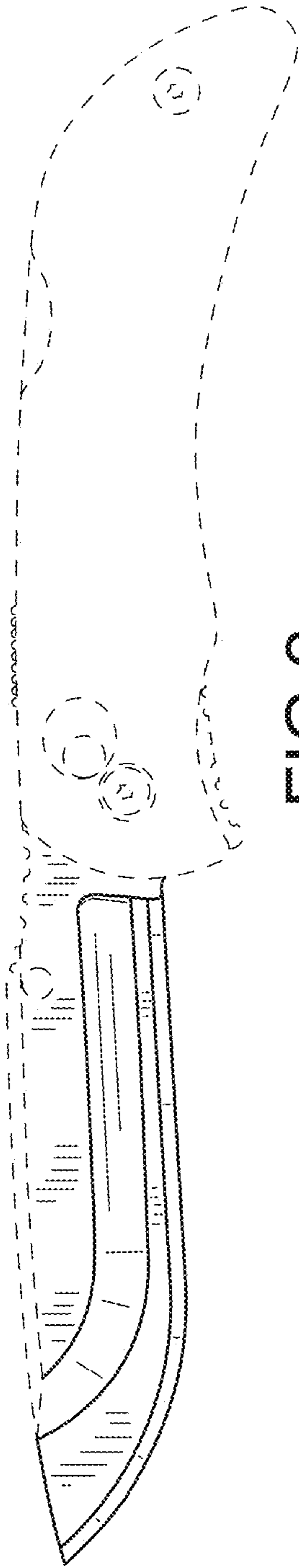


FIG. 2

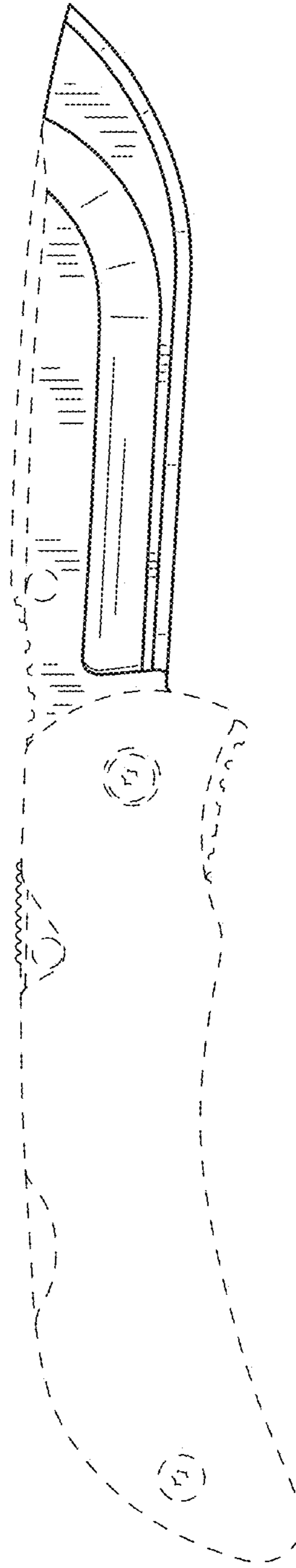


FIG. 3

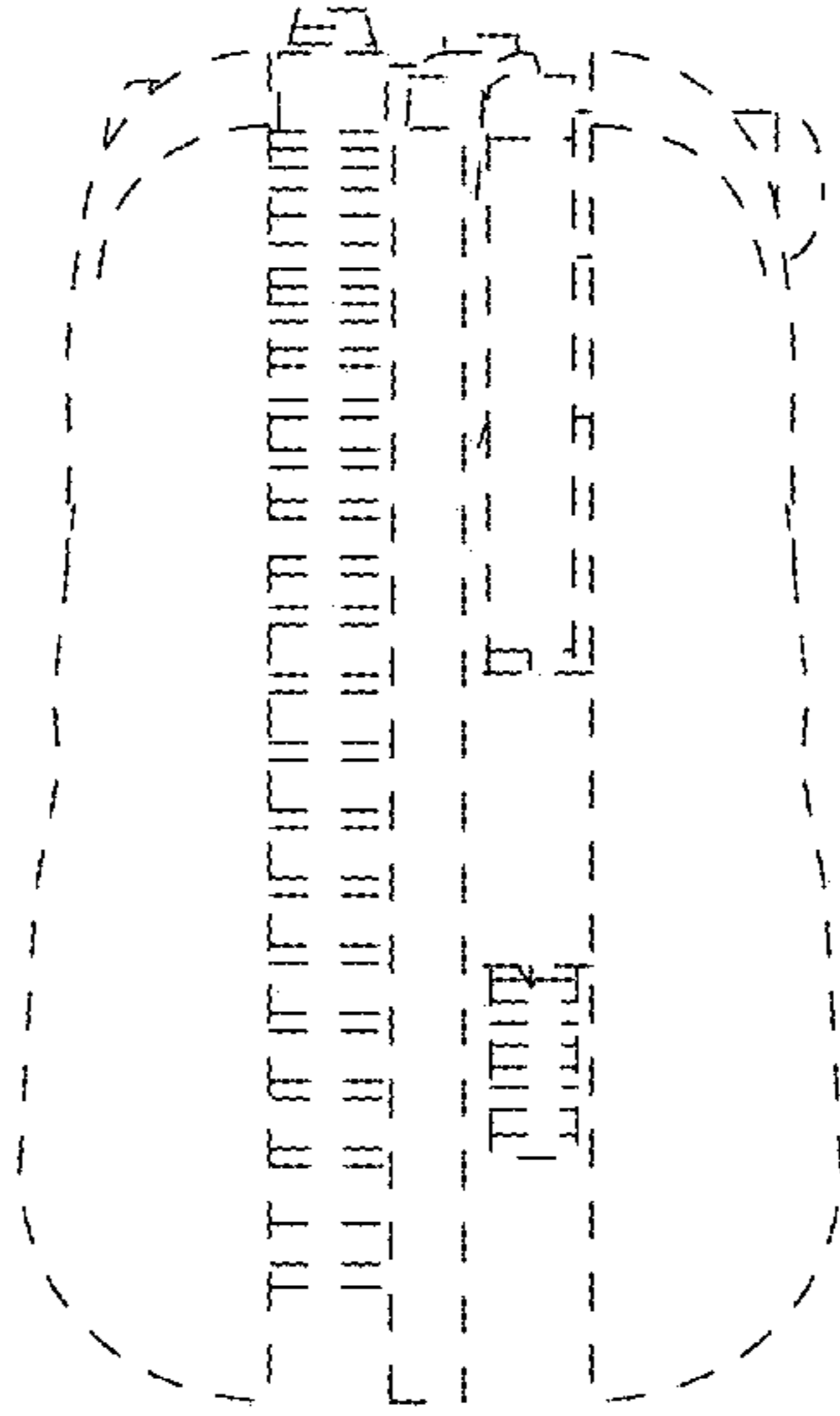


FIG. 4

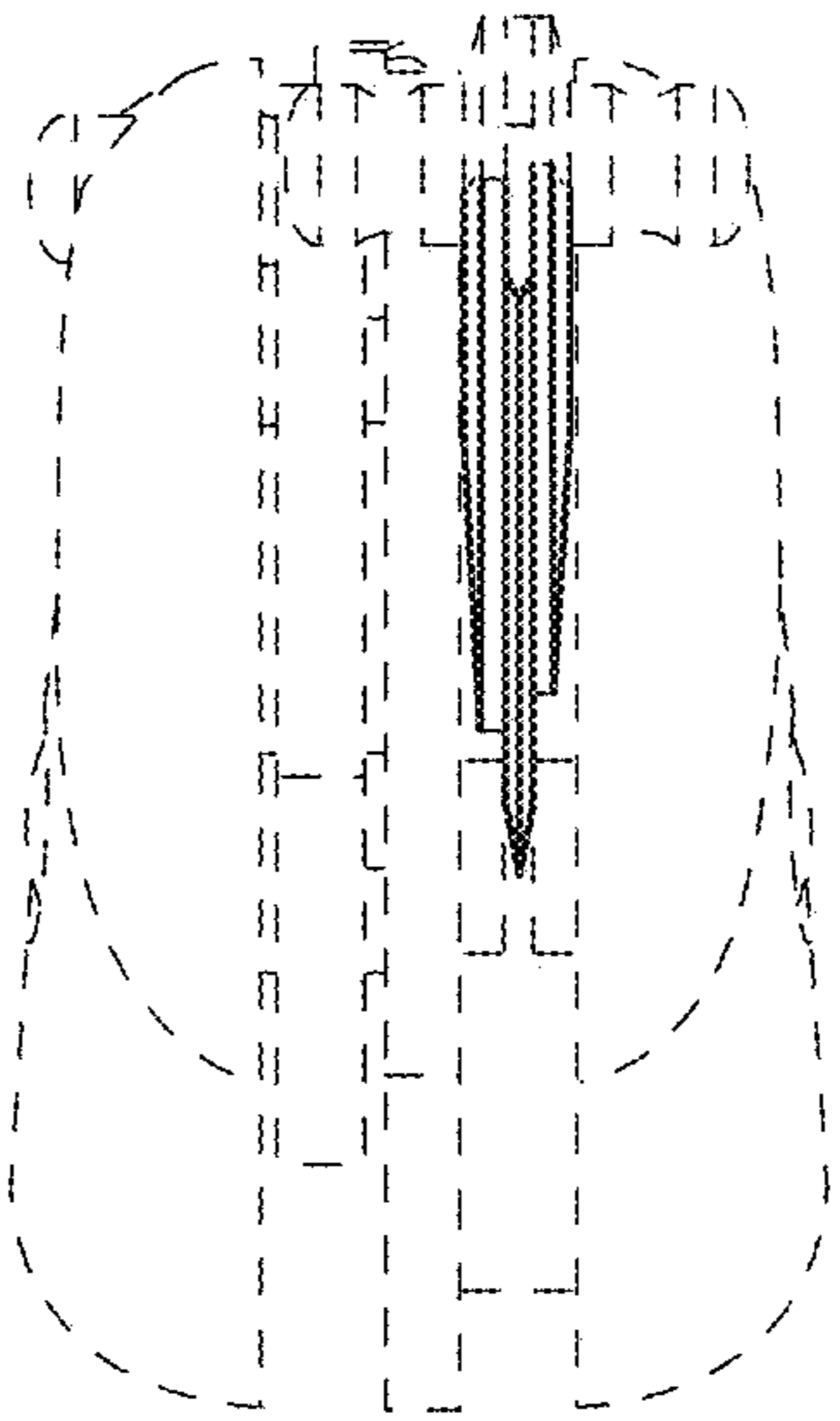


FIG. 5

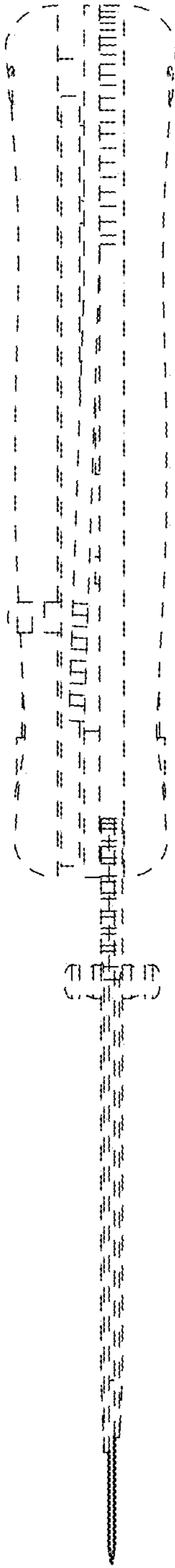


FIG. 6

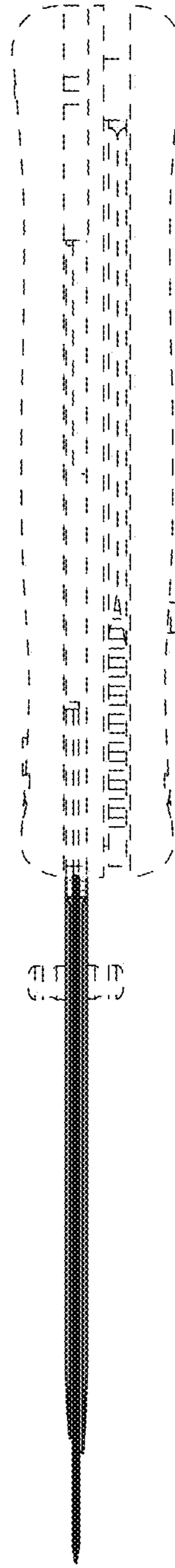


FIG. 7

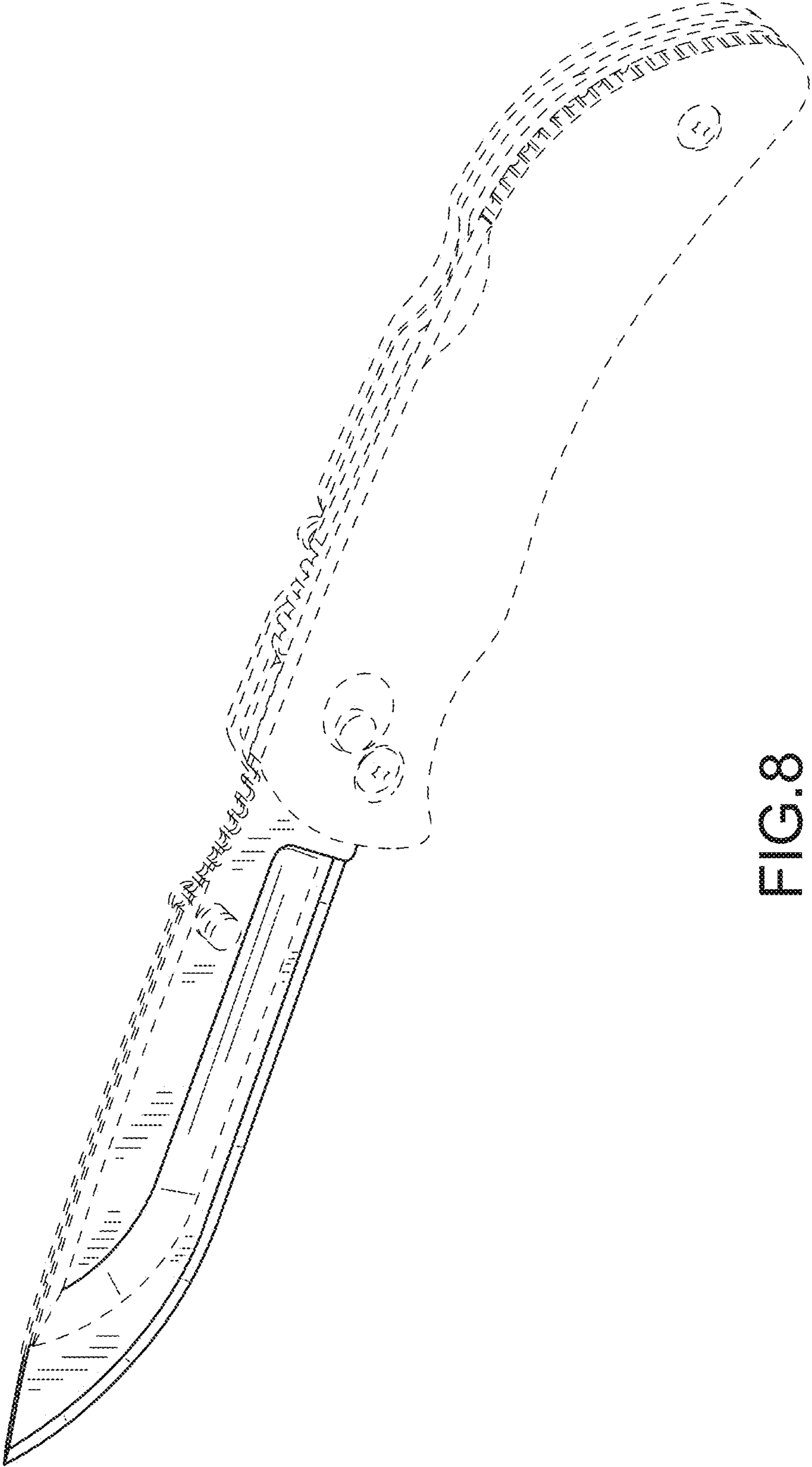


FIG. 8

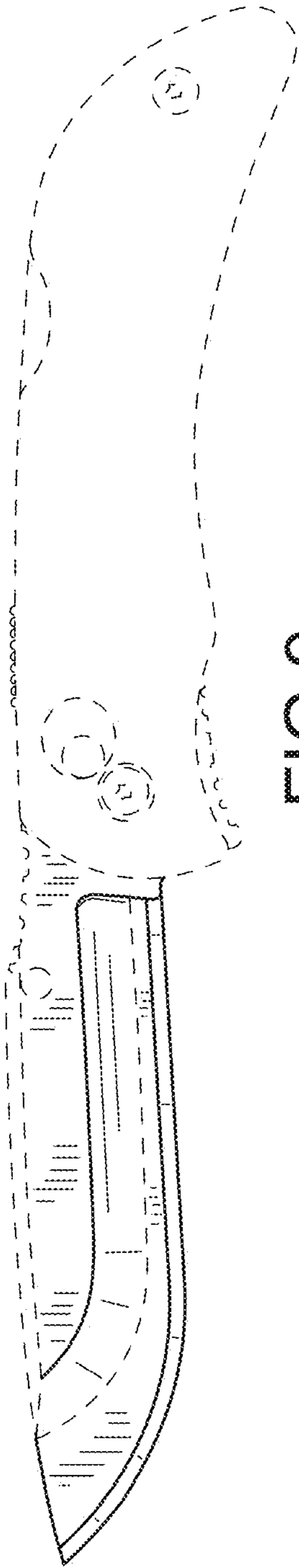


FIG. 9

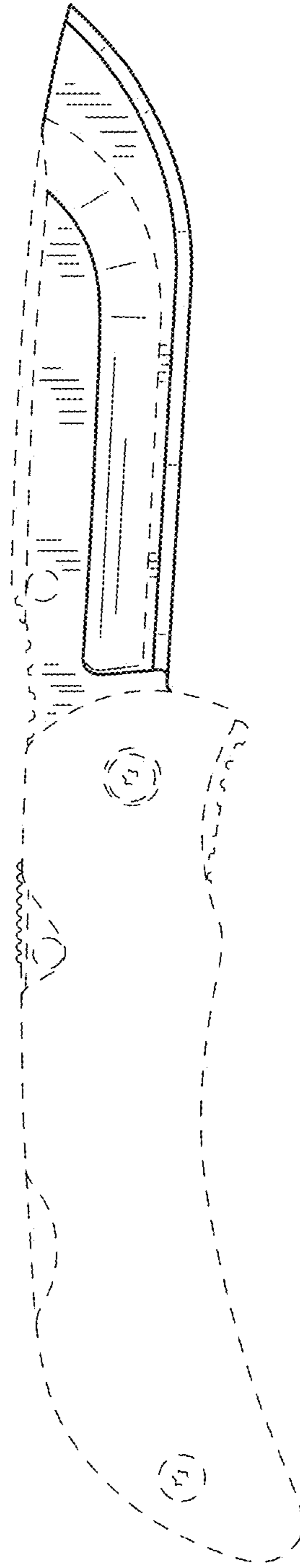


FIG. 10

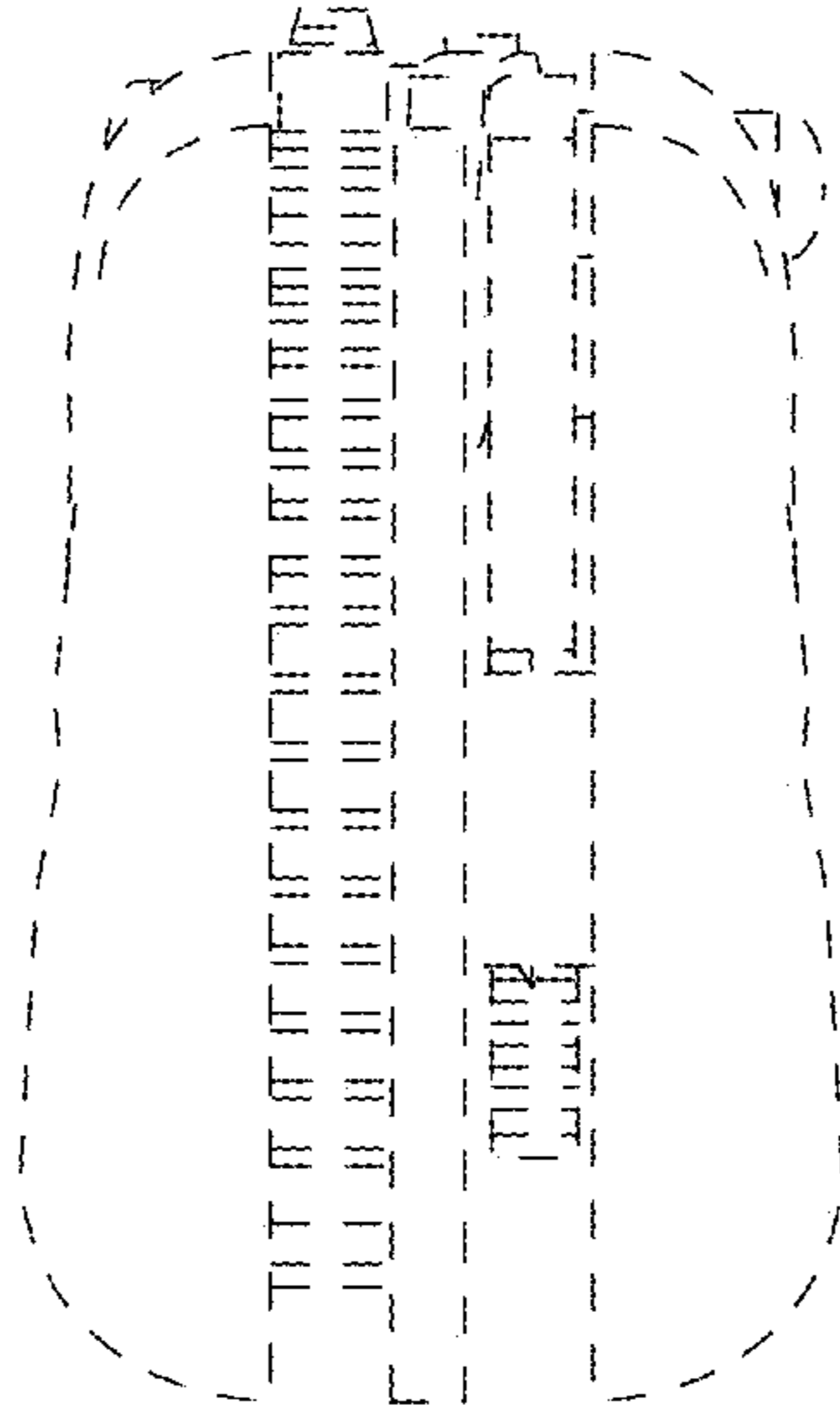


FIG. 11

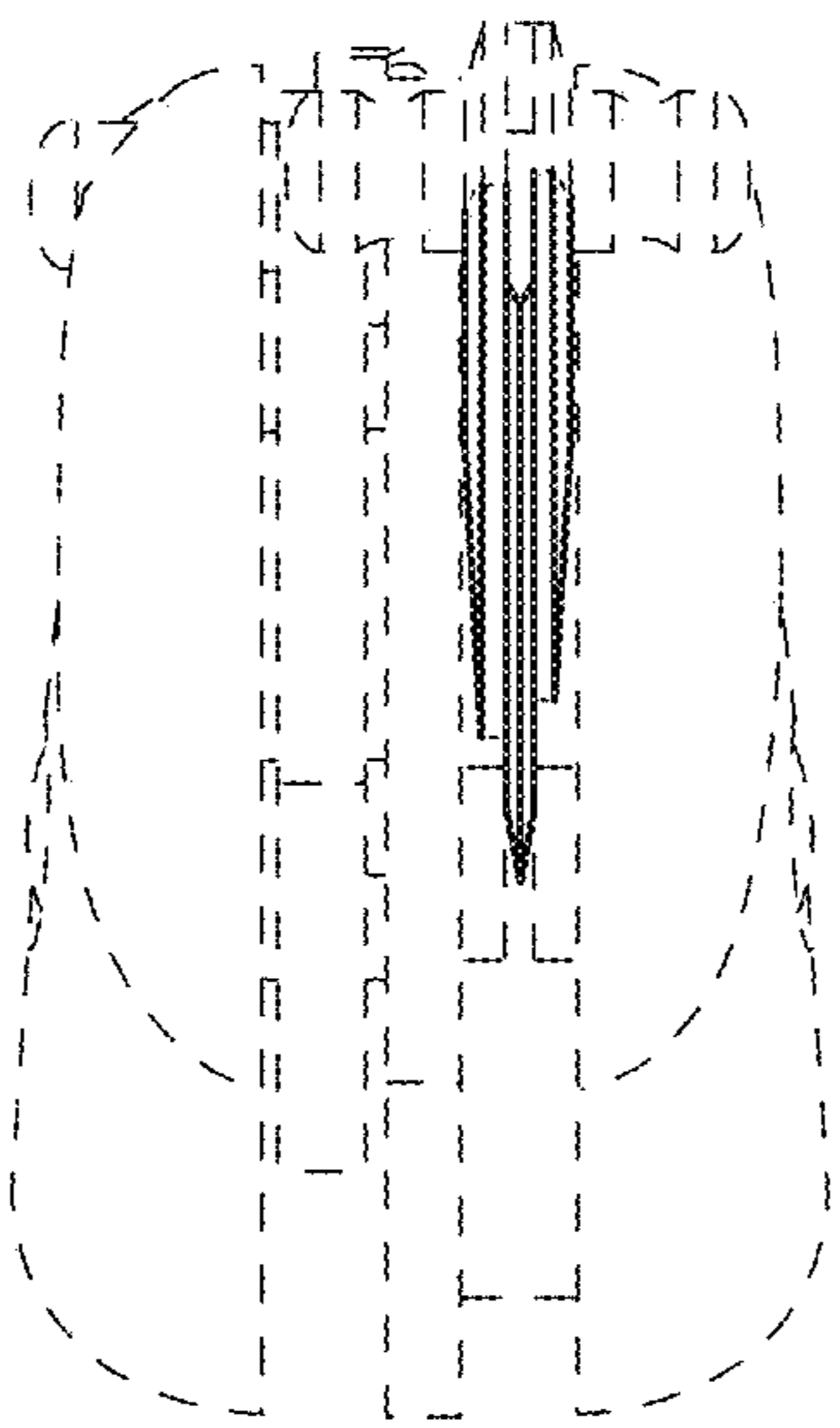


FIG. 12

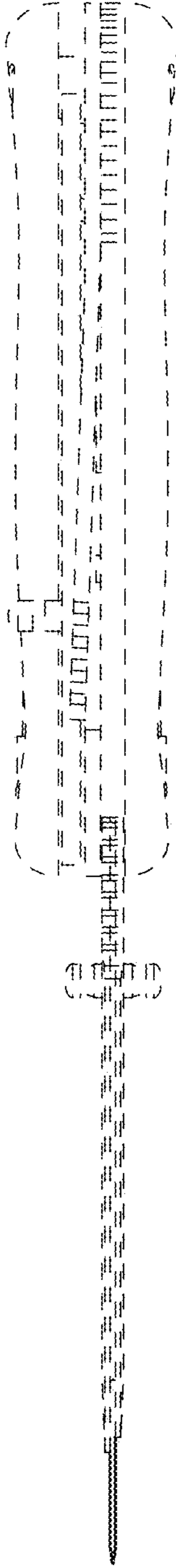


FIG. 13

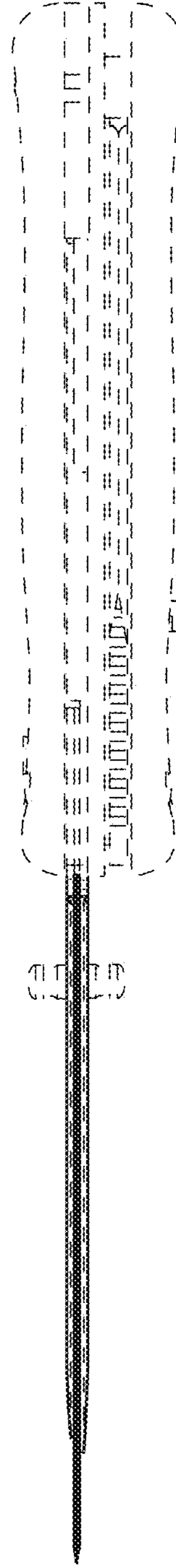


FIG. 14