



US00D891215S

(12) **United States Design Patent** (10) **Patent No.:** **US D891,215 S**  
**Bloch** (45) **Date of Patent:** **\*\* Jul. 28, 2020**

(54) **UTILITY KNIFE**

9,579,808 B2 2/2017 Scimone  
D845,106 S \* 4/2019 Bloch ..... D8/99  
D865,479 S \* 11/2019 Rohrbach ..... D8/99

(71) Applicant: **Outdoor Edge Cutlery Corporation,**  
Denver, CO (US)

FOREIGN PATENT DOCUMENTS

(72) Inventor: **David R. Bloch,** Morrison, CO (US)

AU	2006202953	7/2006
CA	2481333	6/2005
CN	201677334	12/2010
CN	102756384	10/2012
CN	102990680	3/2013
CN	102990681	3/2013
FR	2848138	6/2004
FR	2864463	7/2005
FR	2867716	9/2005
FR	2870152	11/2005
WO	2014000347	1/2014
WO	2014082447	6/2014

(73) Assignee: **Outdoor Edge Cutlery Corp.,** Denver,  
CO (US)

(\*\*) Term: **15 Years**

(21) Appl. No.: **29/676,108**

(22) Filed: **Jan. 8, 2019**

(51) **LOC (12) Cl.** ..... **09-03**

(52) **U.S. Cl.**  
USPC ..... **D8/99**

(58) **Field of Classification Search**  
USPC ..... D8/14, 51, 98, 99, 100, 101, 105, 95;  
D22/118

CPC .... B26B 1/00; B26B 1/08; B26B 1/10; B26B  
5/001; B26B 5/002; B26B 5/003; B26B  
5/005; B26B 5/006

See application file for complete search history.

\* cited by examiner

*Primary Examiner* — Philip S Hyder

(74) *Attorney, Agent, or Firm* — FisherBroyles, LLP;  
Craig W. Mueller

(57) **CLAIM**

The ornamental design for a utility knife, as shown and described.

**DESCRIPTION**

FIG. 1 is a front perspective view of the utility knife showing the new design;

FIG. 2 is a rear perspective view thereof;

FIG. 3 is a front elevation view thereof;

FIG. 4 is a rear elevation view thereof;

FIG. 5 is a top plan view thereof;

FIG. 6 is a bottom plan view thereof;

FIG. 7 is a left elevation view thereof; and,

FIG. 8 is a right elevation view thereof.

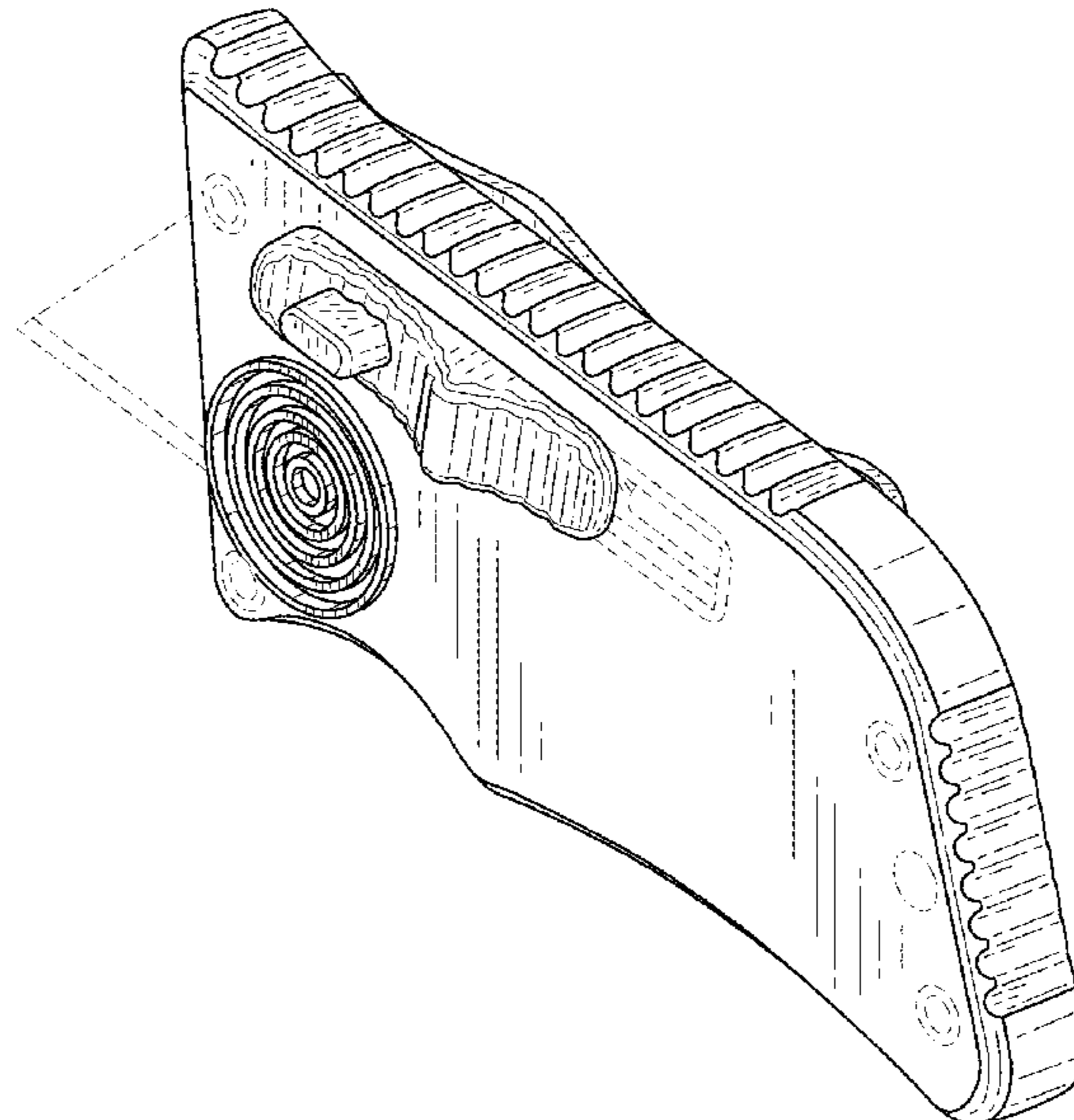
The broken lines illustrate environment and form no part of the claimed design.

**1 Claim, 7 Drawing Sheets**

(56) **References Cited**

U.S. PATENT DOCUMENTS

D230,823 S	3/1974	Gluck	
3,906,627 A	9/1975	Manning	
4,281,458 A	8/1981	Okada	
D264,804 S *	6/1982	Machida	..... D24/147
D288,898 S	3/1987	Osterhout	
D355,106 S	2/1995	Yoshimoto	
5,813,121 A	9/1998	Gringer	
D447,400 S	9/2001	Okada	
D540,138 S	4/2007	Kan	
9,050,729 B2	6/2015	Hao	
9,174,347 B2	11/2015	Hongquan	
D749,929 S *	2/2016	Stobar	..... D8/99
D756,191 S	5/2016	Horovitz	



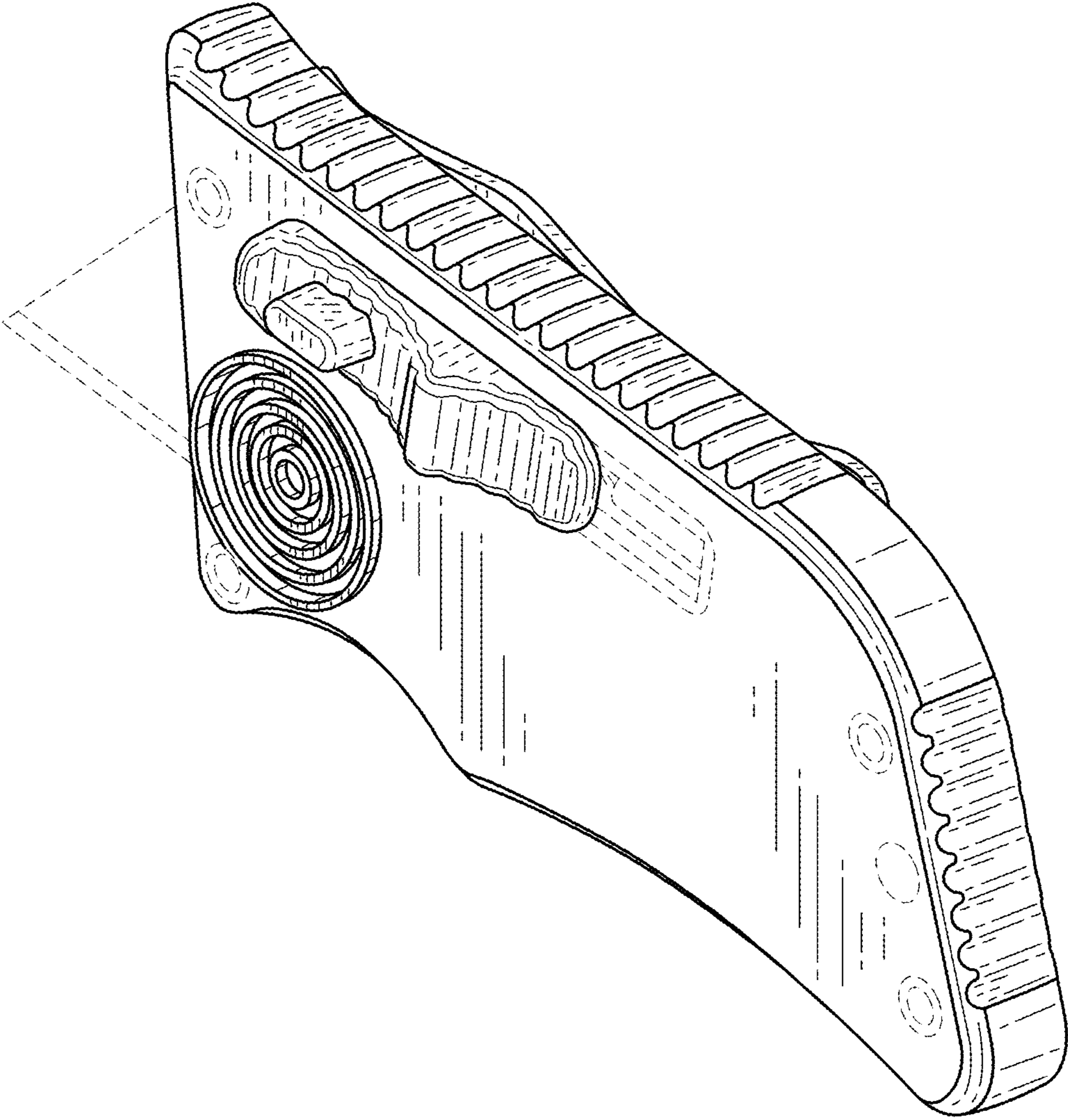


FIG.1

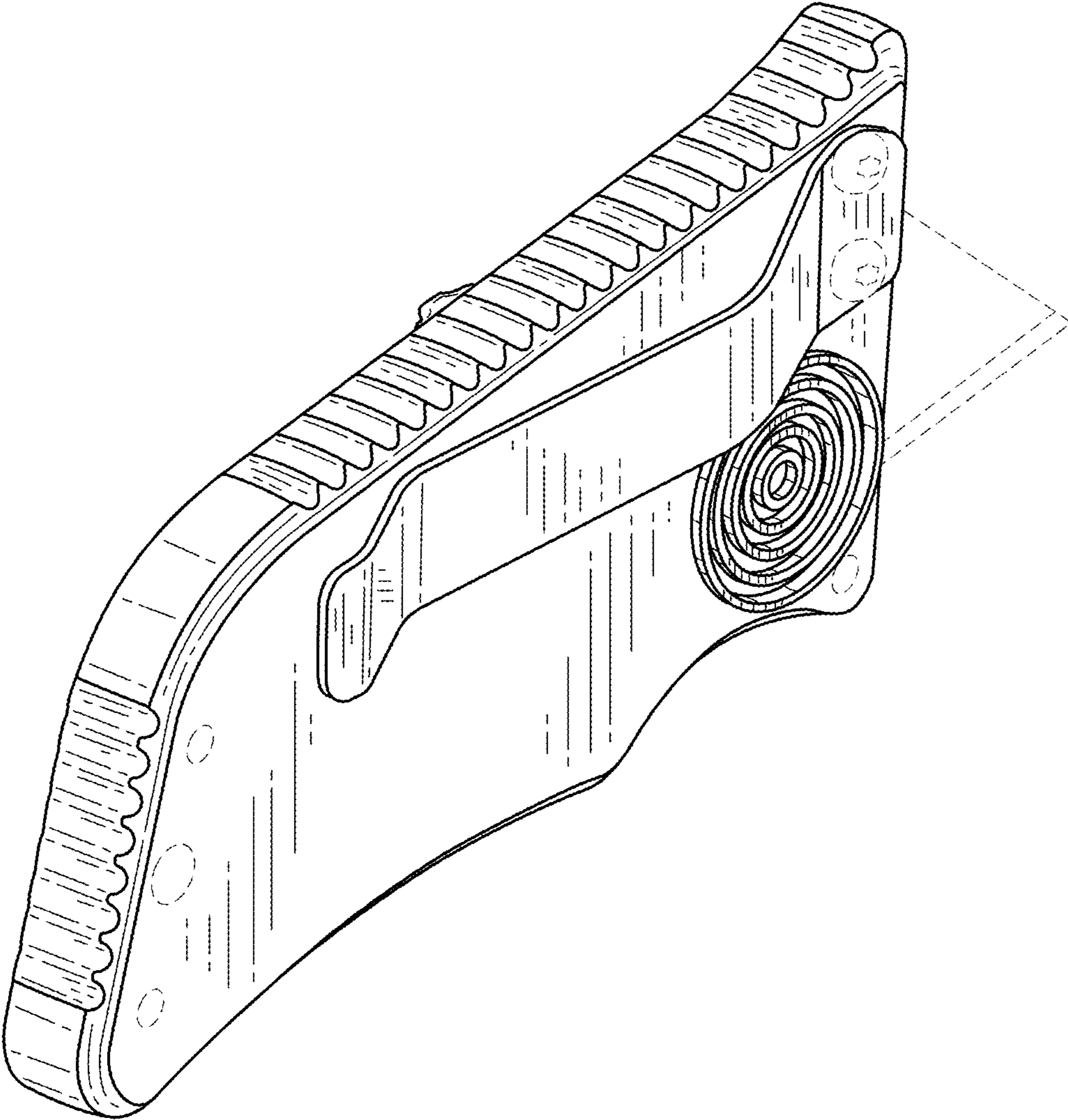


FIG.2

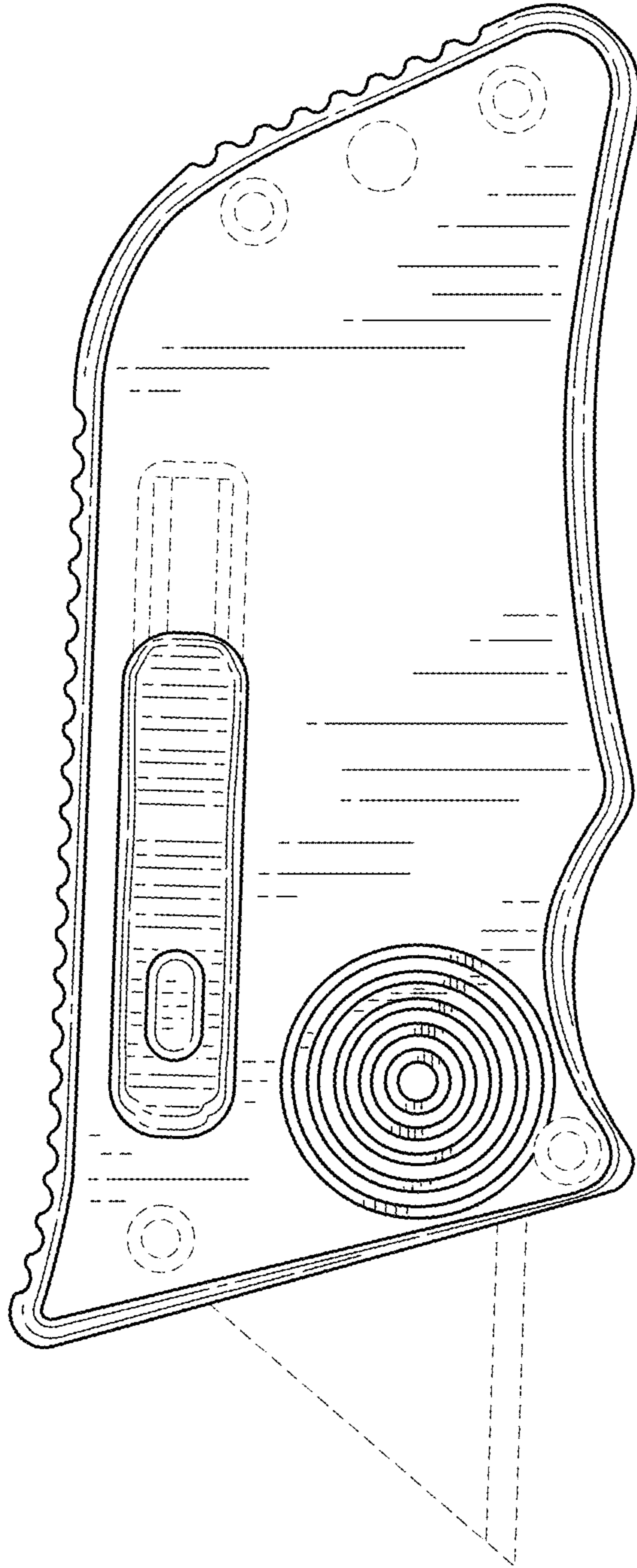


FIG.3

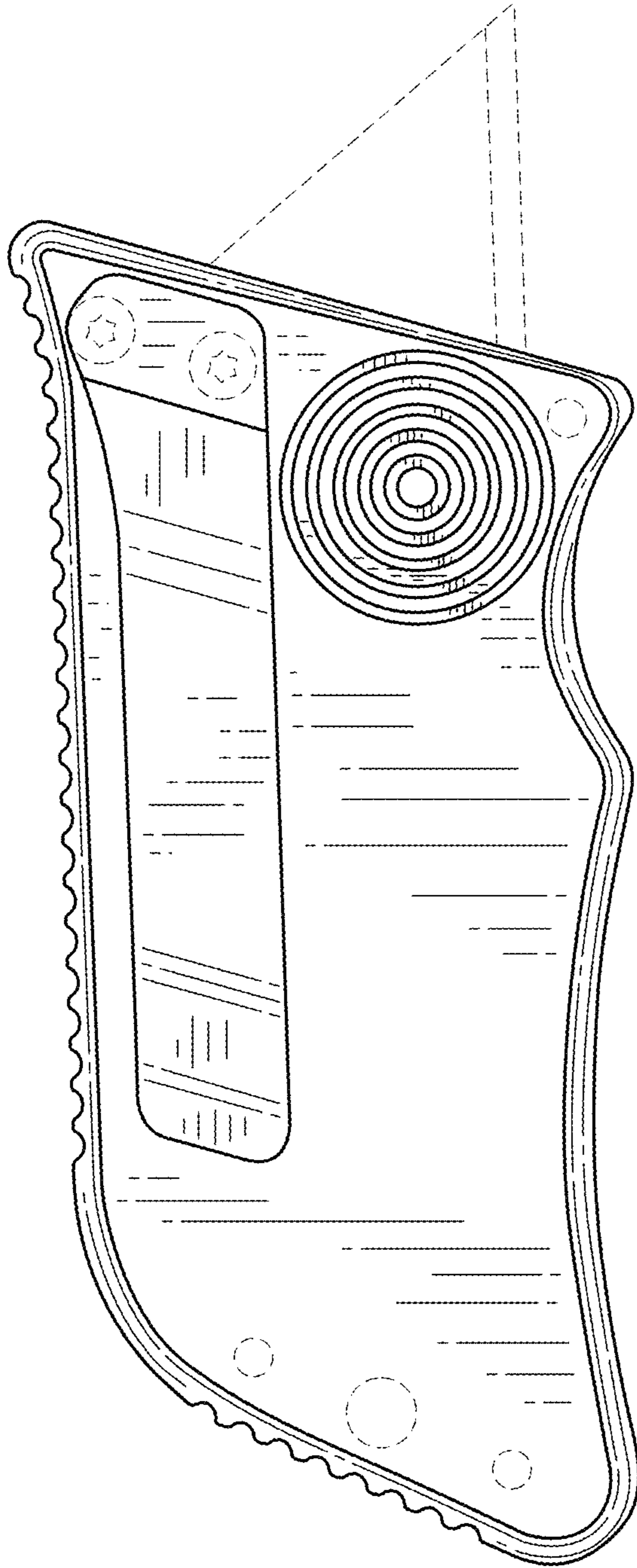


FIG.4

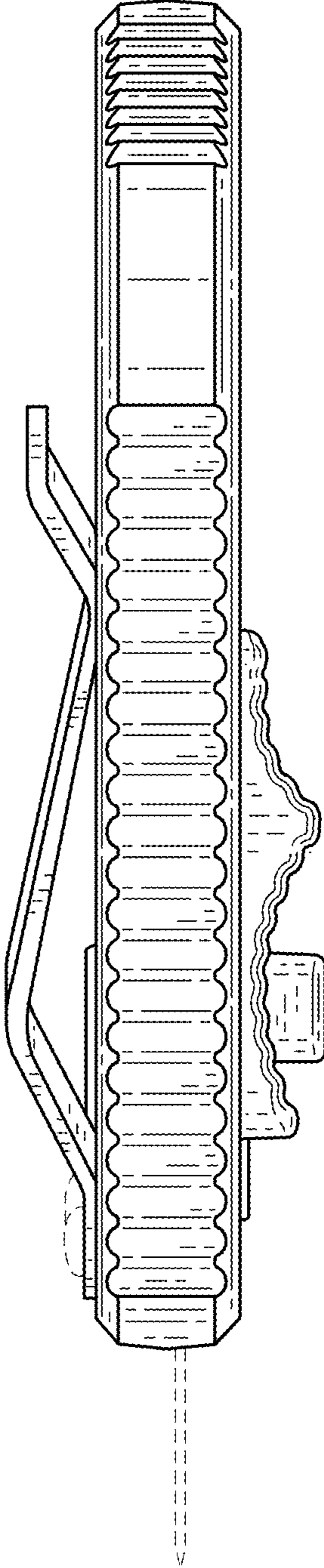


FIG.5

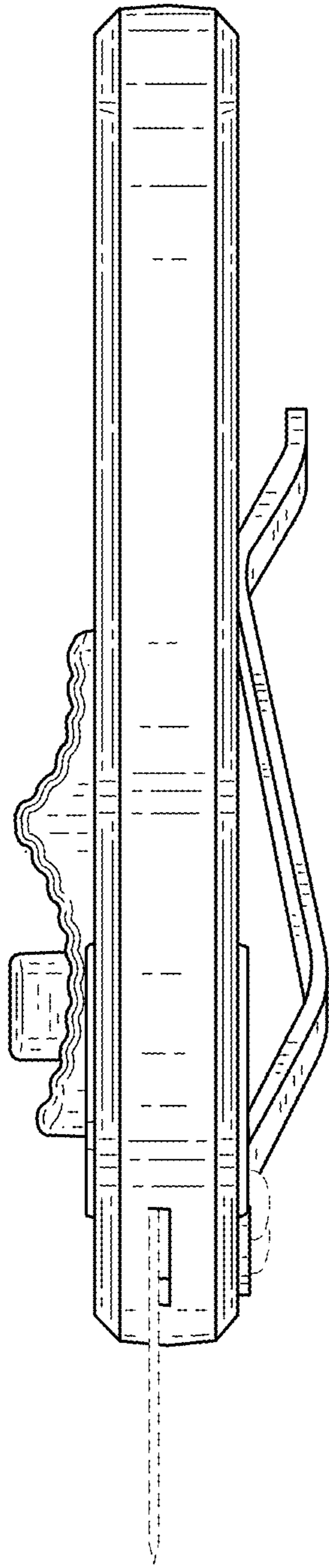


FIG.6

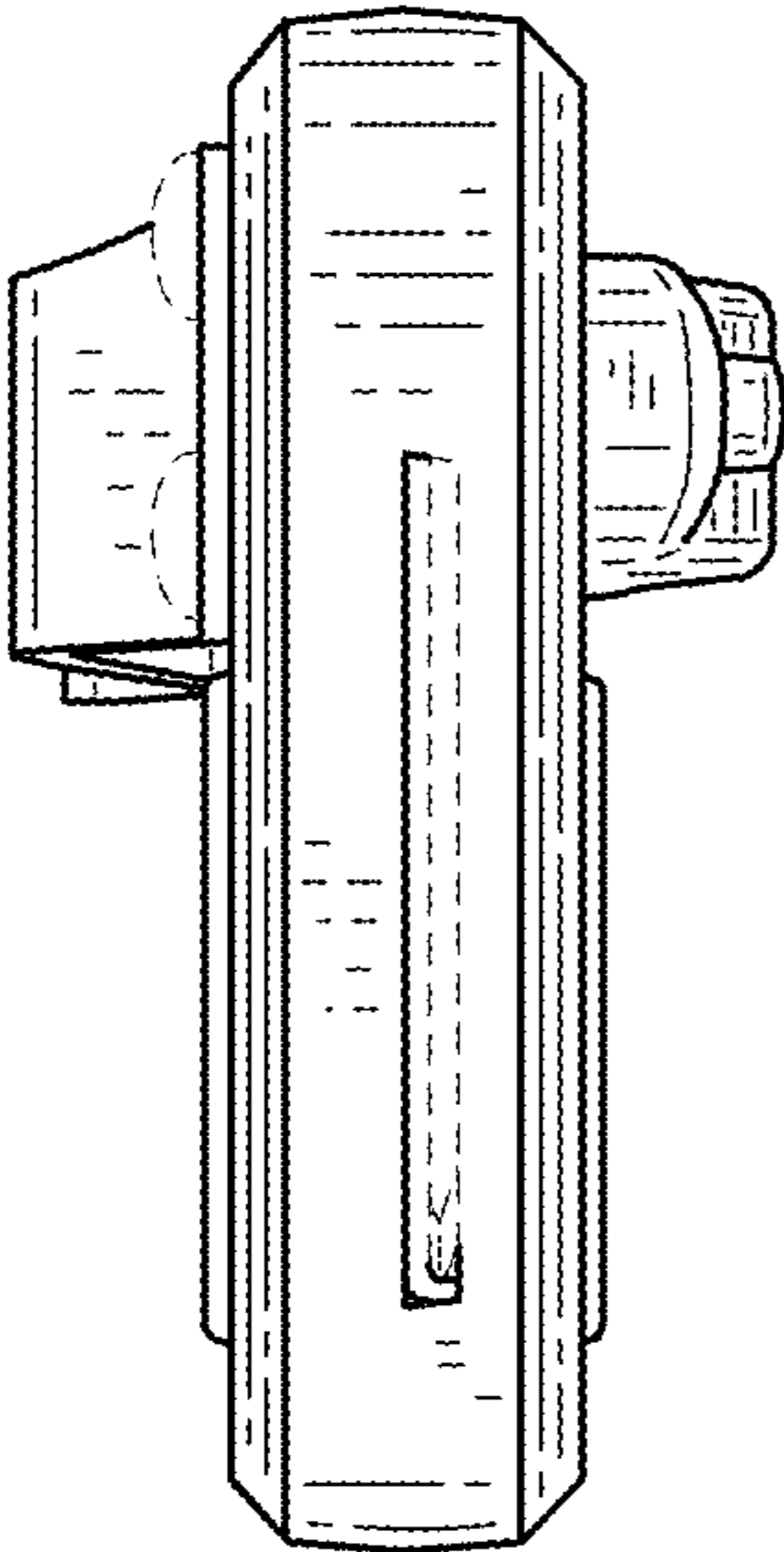


FIG.7

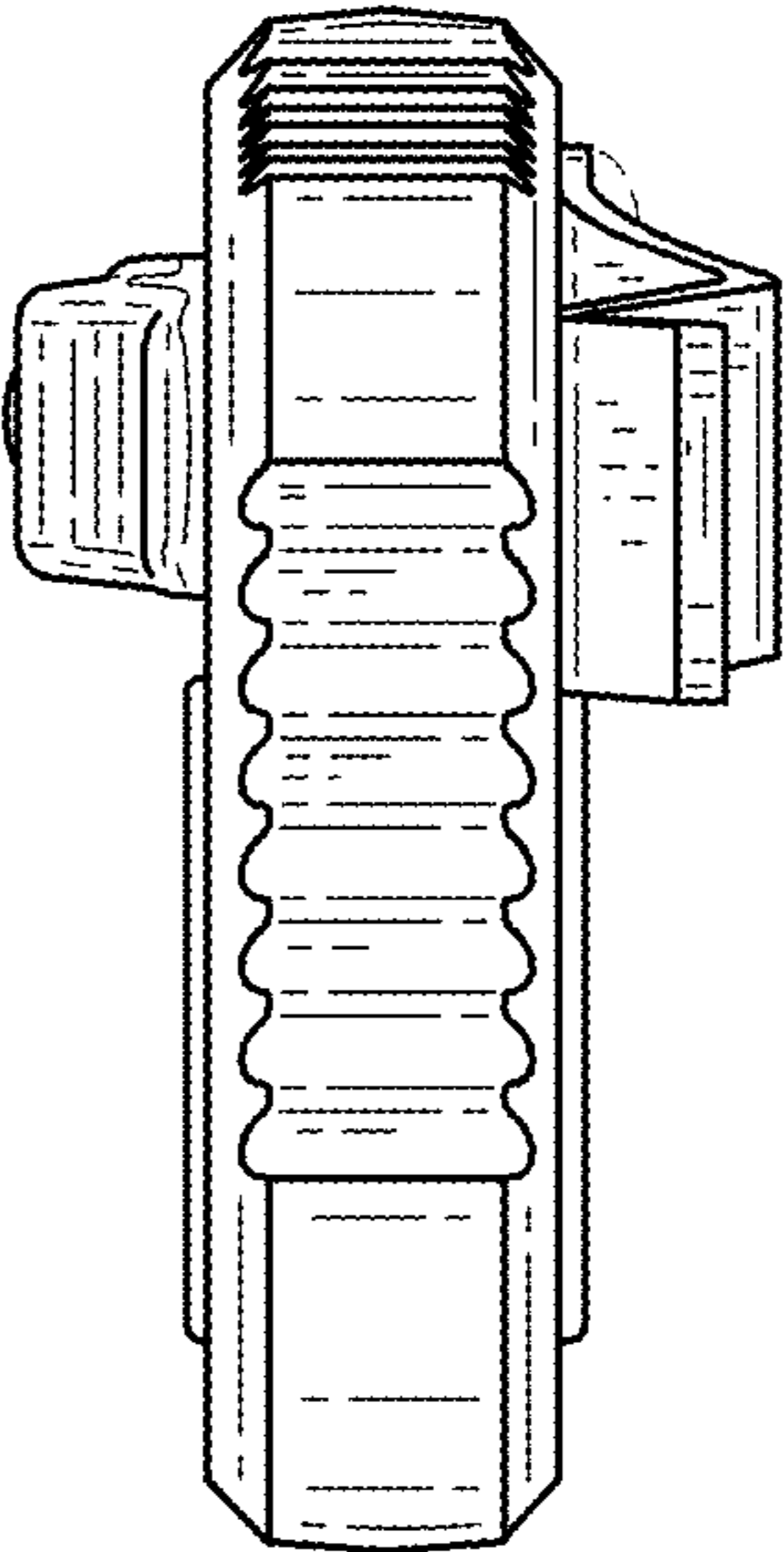


FIG.8