



US00D891214S

(12) **United States Design Patent** (10) **Patent No.:** **US D891,214 S**
Lu (45) **Date of Patent:** **** Jul. 28, 2020**

(54) **ELECTRIC PRUNING SHEAR**
(71) Applicant: **YONGKANG WEIDE INDUSTRY AND TRADE CO., LTD.**, Yongkang (CN)
(72) Inventor: **Huahua Lu**, Yongkang (CN)
(73) Assignee: **YONGKANG WEIDE INDUSTRY AND TRADE CO., LTD.**, Yongkang (CN)

D570,660 S * 6/2008 Wang D8/61
D633,352 S * 3/2011 Davison, III D8/61
D633,765 S * 3/2011 Nakamura D8/61
D657,220 S * 4/2012 Isobe D8/61
D657,221 S * 4/2012 Isobe D8/61
D767,959 S * 10/2016 Sokat D8/61
D832,670 S * 11/2018 Uchiyama D8/61
D835,487 S * 12/2018 Wason D8/61
D858,237 S * 9/2019 Haneishi D8/61
D859,949 S * 9/2019 Wason D8/61
2010/0192383 A1 * 8/2010 Ishiguro A01G 3/08
30/228
2015/0113810 A1 4/2015 Zurcher
2017/0359962 A1 12/2017 Ma

(**) Term: **15 Years**

* cited by examiner

(21) Appl. No.: **29/730,471**

Primary Examiner — Austin Murphy

(22) Filed: **Apr. 3, 2020**

(51) **LOC (12) Cl.** **08-05**

(52) **U.S. Cl.**
USPC **D8/61**

(57) **CLAIM**

The ornamental design for an electric pruning shear, as shown and as described.

(58) **Field of Classification Search**

USPC D8/70, 82, 85–87, 105; D15/139;
81/436, 460–461

CPC B25B 13/06; B25B 13/5091; B25B 15/00;
B25B 15/001; B25B 15/002; B25B
15/004; B25B 15/005; B25B 15/008;
B25B 15/02; B25B 15/04; B25B 17/00;
B25B 21/007; B25B 23/00; B25B
23/0035; B25B 23/005; B25B 23/12;
B25B 23/1405; B25B 27/18; B25B 31/12;
B25B 51/08; B25B 51/108; B25B
2251/66; B23P 15/00

See application file for complete search history.

DESCRIPTION

FIG. 1 is a perspective view of an electric pruning shear showing my new design;

FIG. 2 is another perspective view thereof;

FIG. 3 is a front elevation view thereof;

FIG. 4 is a rear elevation view thereof;

FIG. 5 is a left side elevation view thereof;

FIG. 6 is a right side elevation view thereof;

FIG. 7 is a top plan view thereof; and,

FIG. 8 is a bottom plan view thereof.

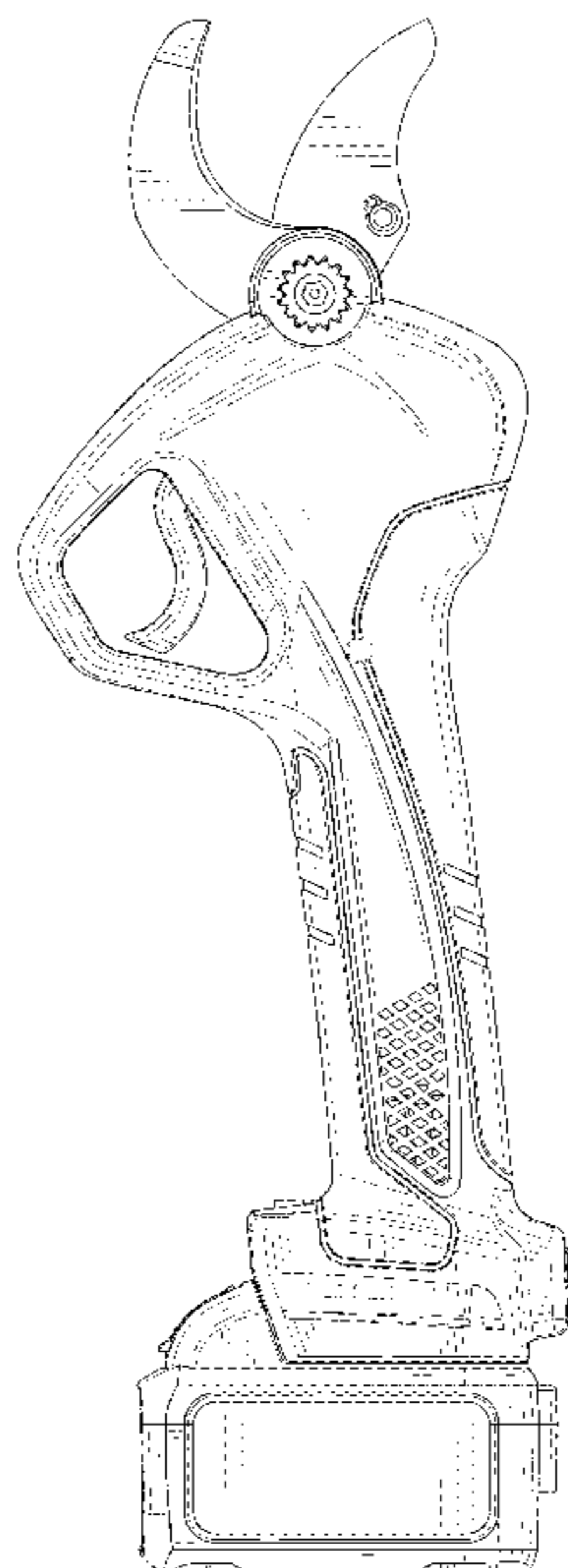
The broken lines shown in the drawings are for the purpose of illustrating portions of electric pruning shear, which form no part of the claimed design.

(56) **References Cited**

U.S. PATENT DOCUMENTS

6,044,564 A * 4/2000 Jeltsch A01G 3/037
30/228
D542,108 S * 5/2007 Chu D8/61

1 Claim, 8 Drawing Sheets



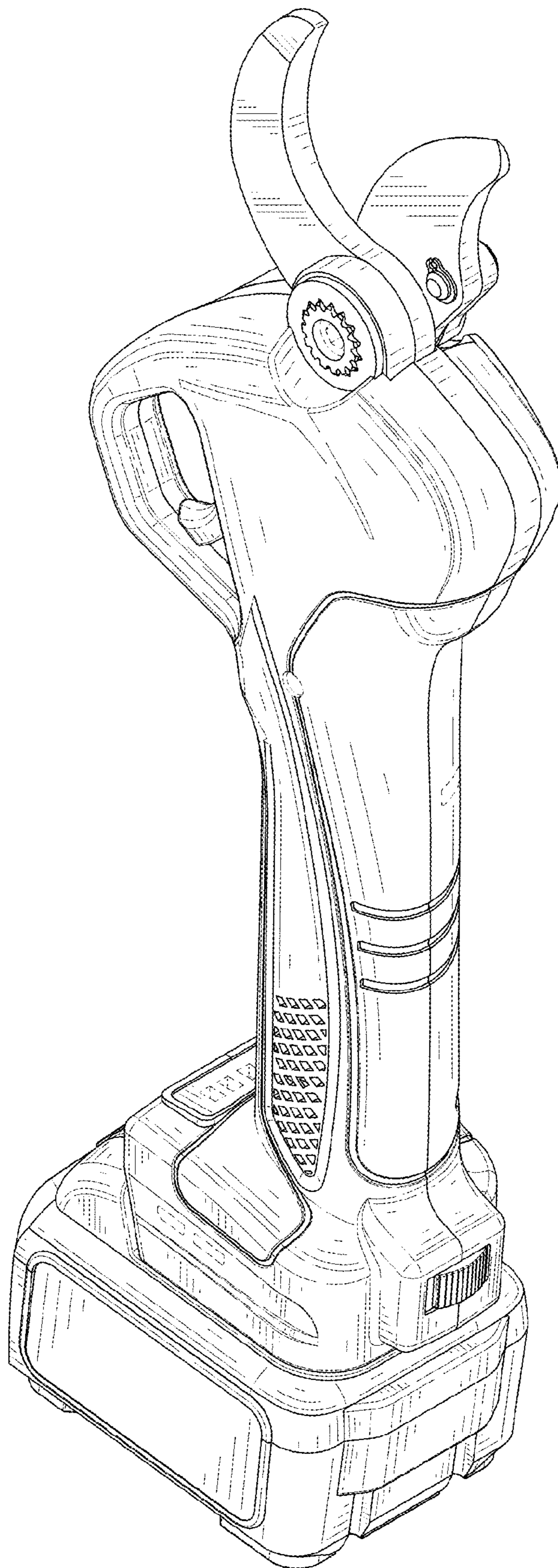


FIG. 1

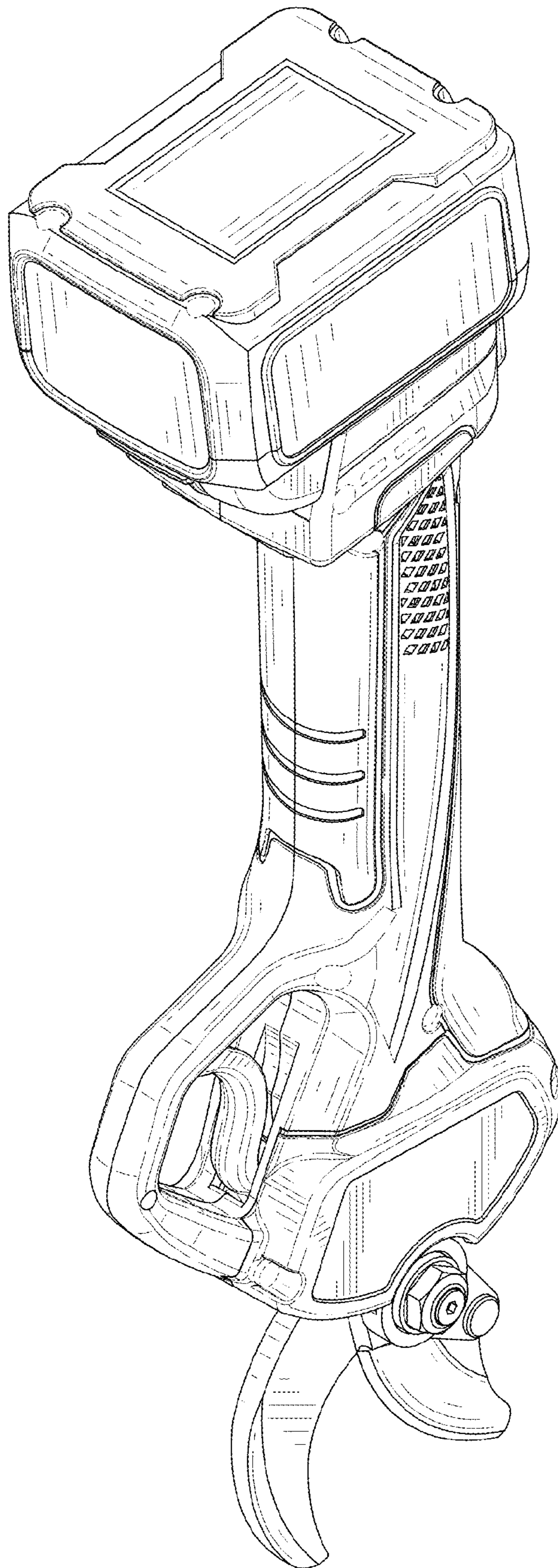


FIG. 2

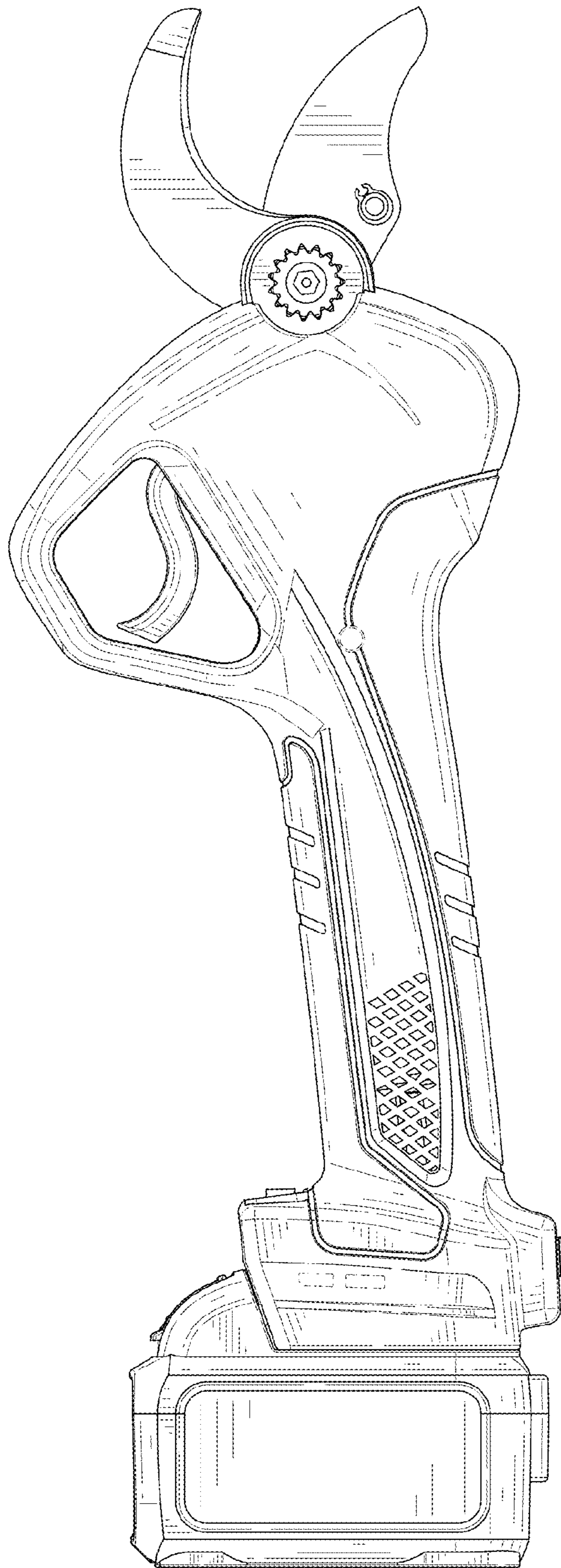


FIG. 3

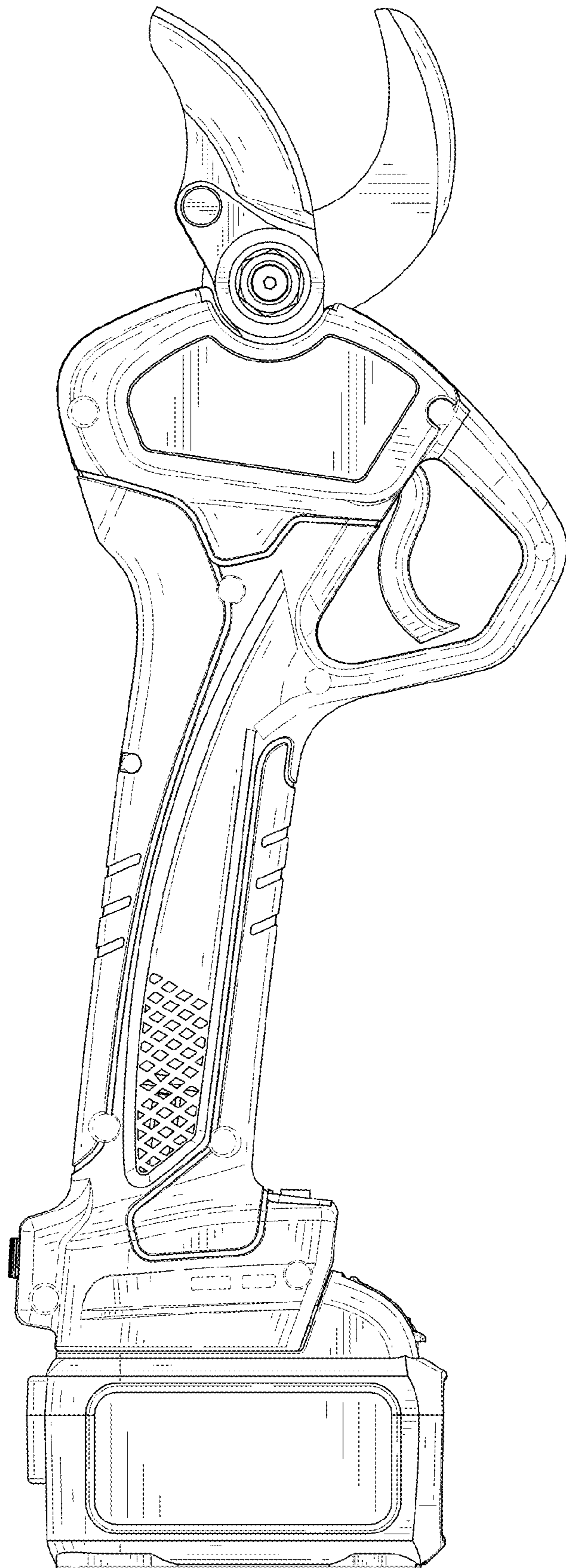


FIG. 4

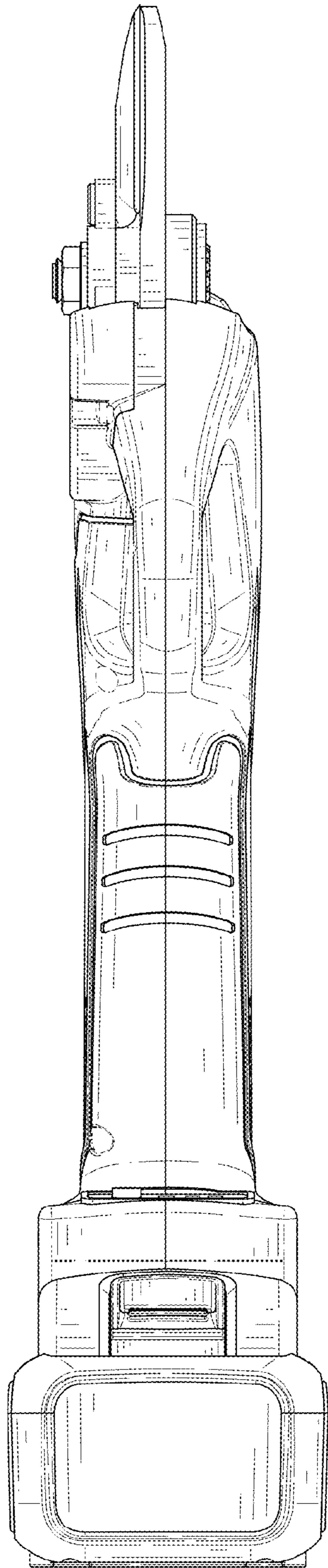


FIG. 5

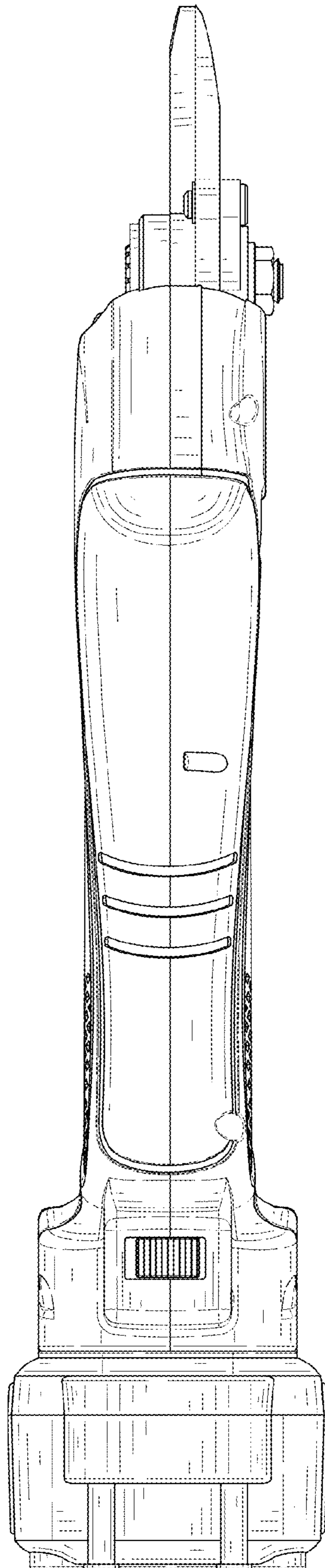


FIG. 6

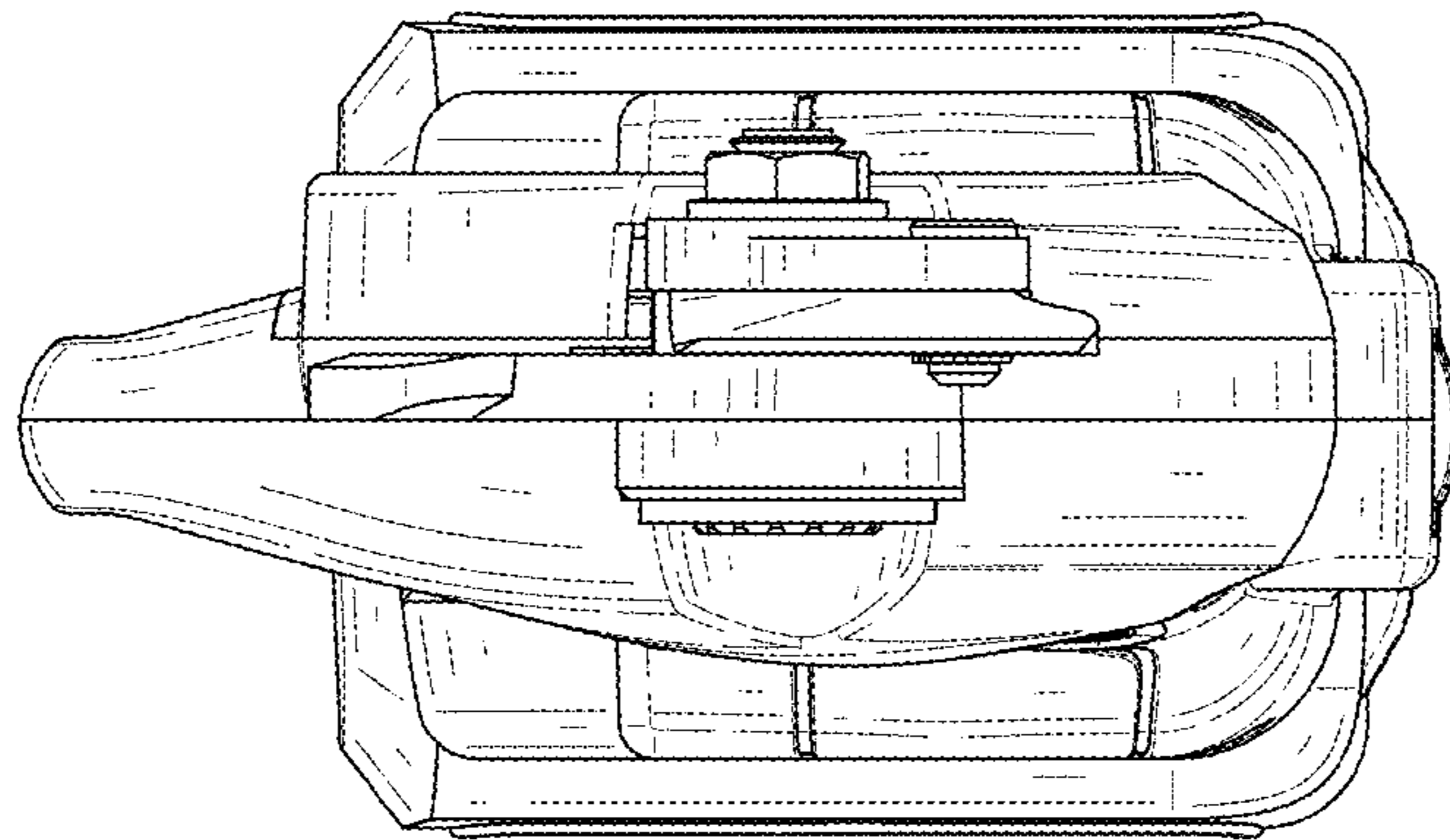


FIG. 7

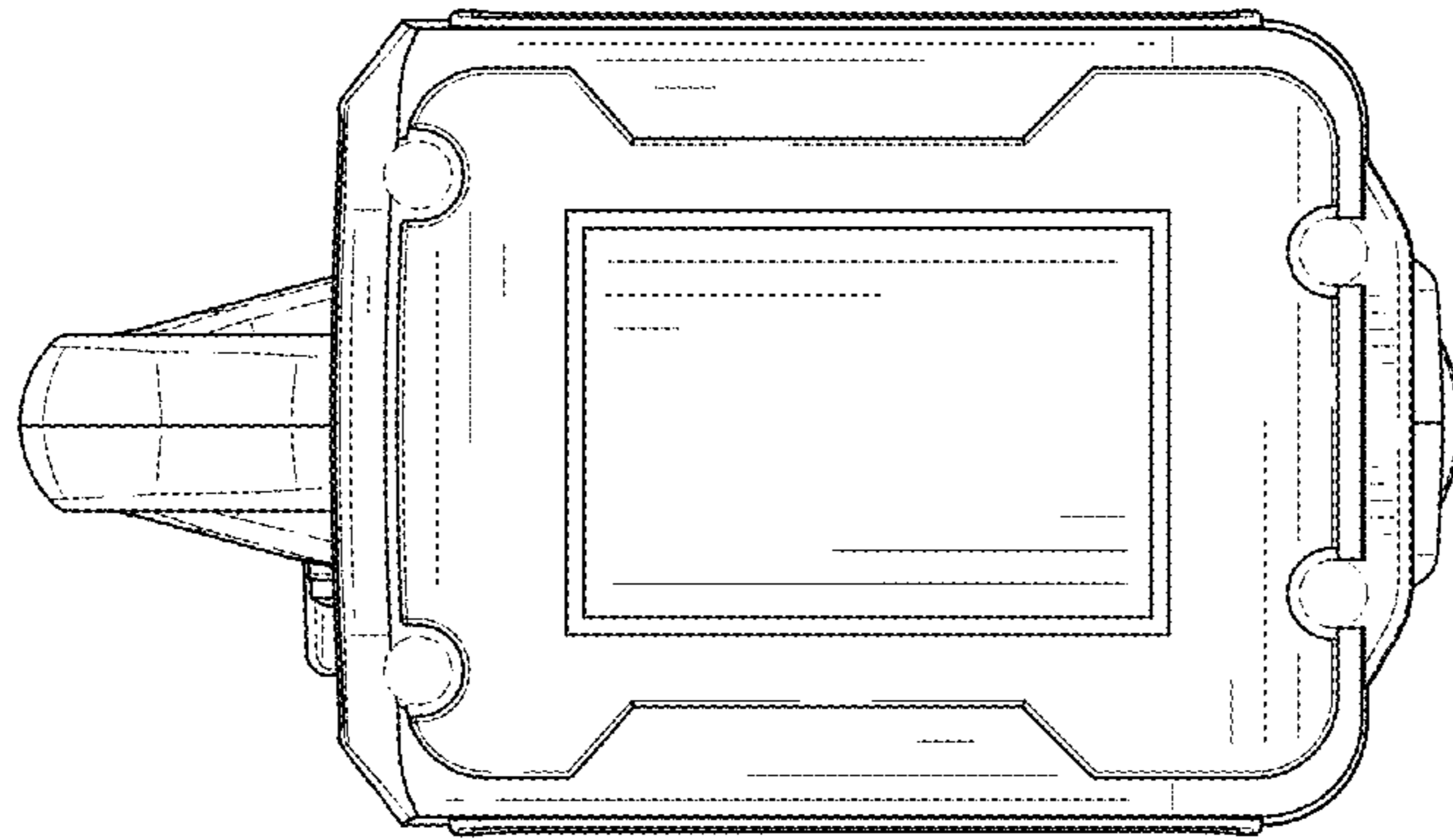


FIG. 8