



US00D891213S

(12) **United States Design Patent**
Hattori et al.

(10) **Patent No.:** **US D891,213 S**

(45) **Date of Patent:** **** Jul. 28, 2020**

(54) **PORTABLE POWER TOOL**

(71) Applicant: **MAKITA CORPORATION**, Anjo-shi,
Aichi (JP)

(72) Inventors: **Kazunori Hattori**, Anjo (JP);
Takafumi Kotsuji, Anjo (JP)

(73) Assignee: **MAKITA CORPORATION**, Anjo-Shi
(JP)

(**) Term: **15 Years**

(21) Appl. No.: **29/686,084**

(22) Filed: **Apr. 2, 2019**

(30) **Foreign Application Priority Data**

Oct. 3, 2018 (JP) 2018-021752

(51) **LOC (12) Cl.** **08-01**

(52) **U.S. Cl.**
USPC **D8/61**

(58) **Field of Classification Search**
USPC D8/61, 62, 67, 69; 81/57, 57.11, 57.14,
81/57.26, 429, 464, 469; 173/2, 170,
173/176, 181

CPC B24B 23/04
See application file for complete search history.

(56) **References Cited**

U.S. PATENT DOCUMENTS

D647,771 S	*	11/2011	Schoch	D8/61
D650,254 S	*	12/2011	Schoch	D8/61
D658,464 S		5/2012	Kawase et al.		
D659,499 S	*	5/2012	Okuda	D8/61
D662,800 S	*	7/2012	Blythe	D8/61
D663,181 S	*	7/2012	Zhou	D8/61
D682,649 S	*	5/2013	Aglassinger	D8/61
D683,202 S	*	5/2013	Aglassinger	D8/61

D689,754 S	*	9/2013	Hayakawa	D8/61
D696,916 S	*	1/2014	Takahashi	D8/61
D712,224 S	*	9/2014	Zhang	D8/61
D714,609 S	*	10/2014	Beukema	D8/61
D718,108 S	*	11/2014	Beukema	D8/61
D728,337 S	*	5/2015	Henssler	D8/61

* cited by examiner

Primary Examiner — Austin Murphy

(74) *Attorney, Agent, or Firm* — Global IP Counselors,
LLP

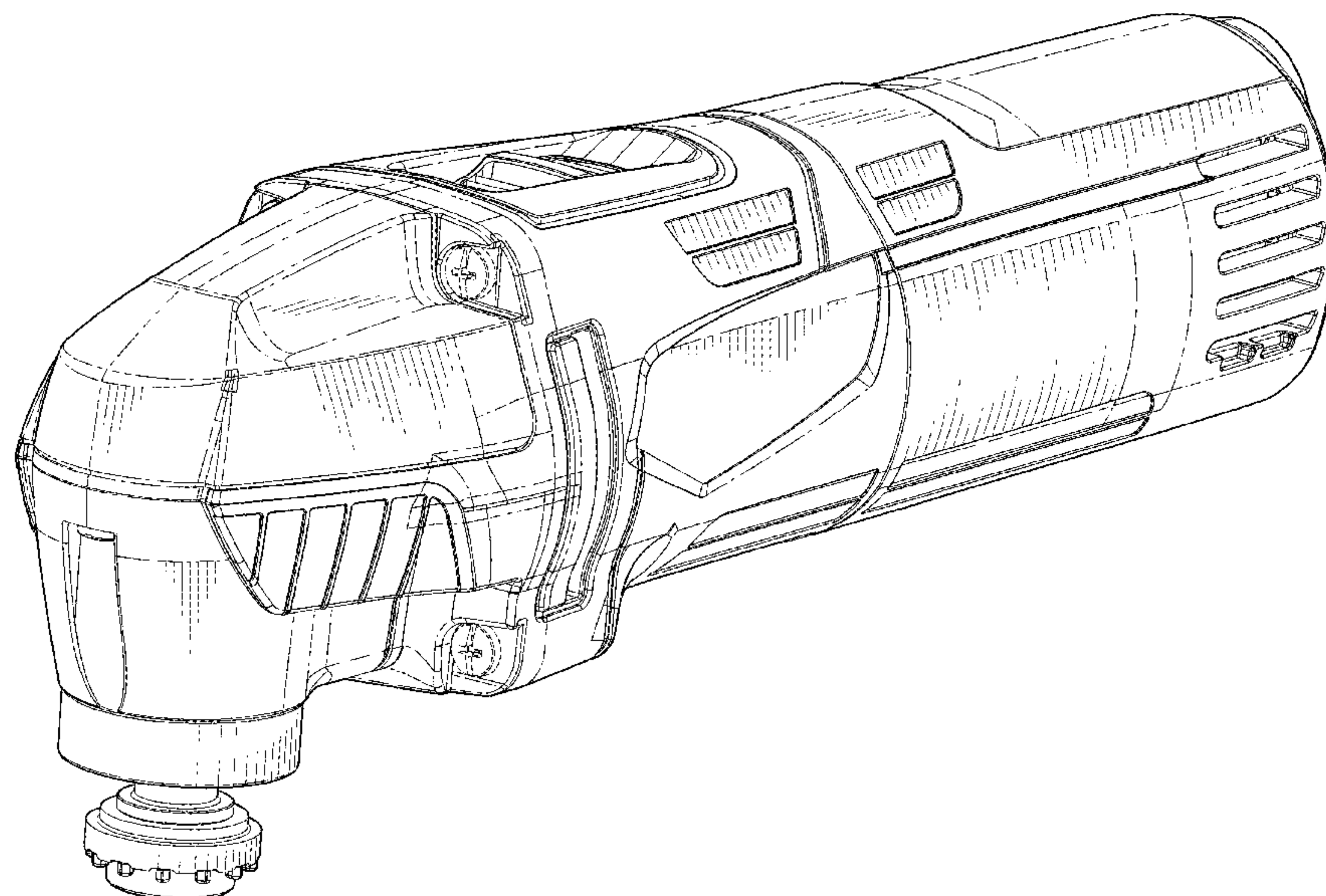
(57) **CLAIM**

The ornamental design for a portable power tool, as shown and described.

DESCRIPTION

FIG. 1 is a front perspective view of, a portable power tool in accordance with our new design;
 FIG. 2 is a rear perspective view of the portable power tool in accordance with our new design;
 FIG. 3 is a front elevational view of the portable power tool in accordance with our new design;
 FIG. 4 is a rear elevational view of the portable power tool in accordance with our new design;
 FIG. 5 is a top plan view of the portable power tool in accordance with our new design;
 FIG. 6 is a bottom plan view of the portable power tool in accordance with our new design;
 FIG. 7 is a left side elevational view of the portable power tool in accordance with our new design;
 FIG. 8 is a right side elevational view of the portable power tool in accordance with our new design; and,
 FIG. 9 is a front perspective view of the portable power tool in accordance with our new design showing when a blade is attached to the portable power tool.
 The broken line showing of environment structures in the drawings forms no part of the claimed design.

1 Claim, 8 Drawing Sheets



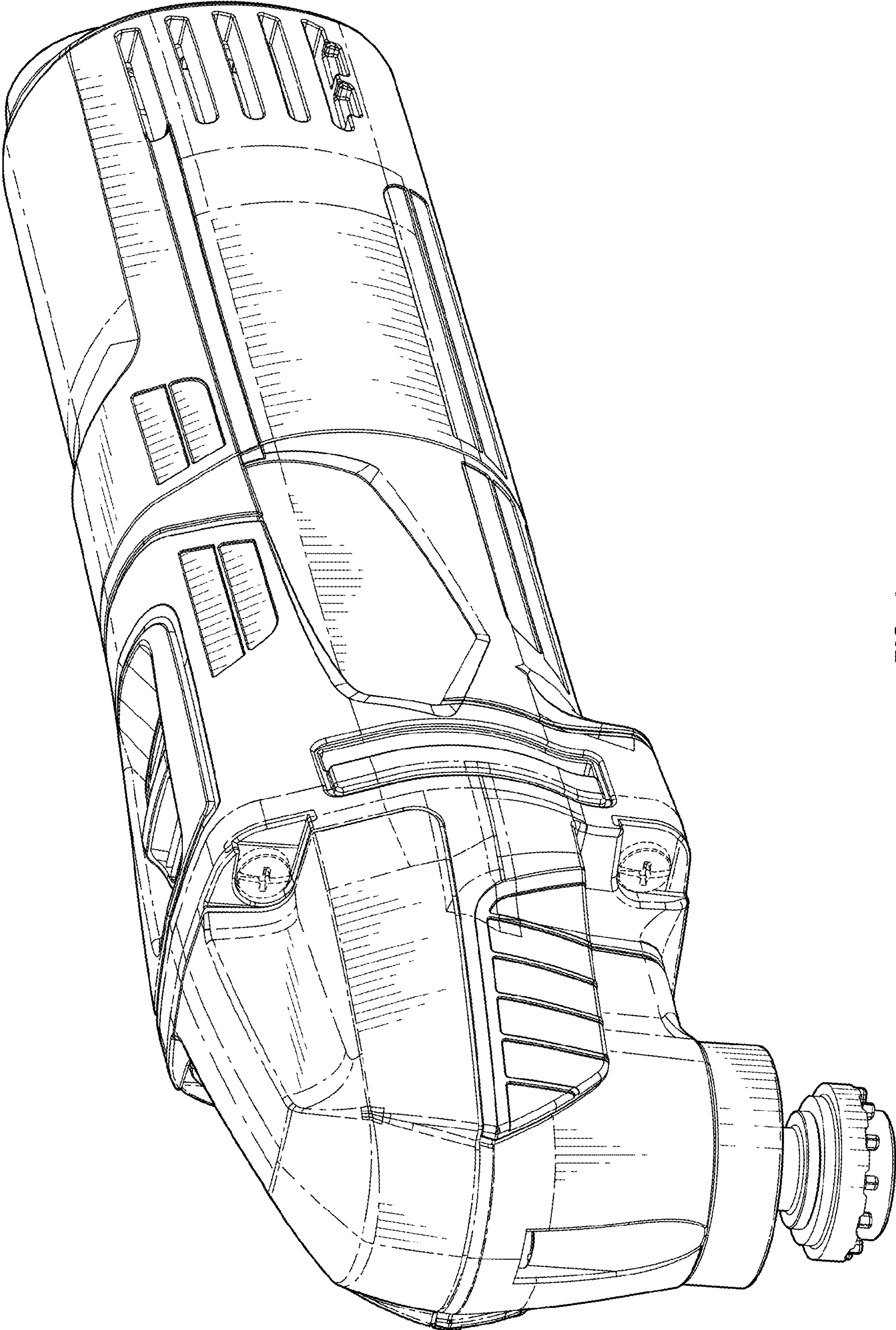


FIG. 1

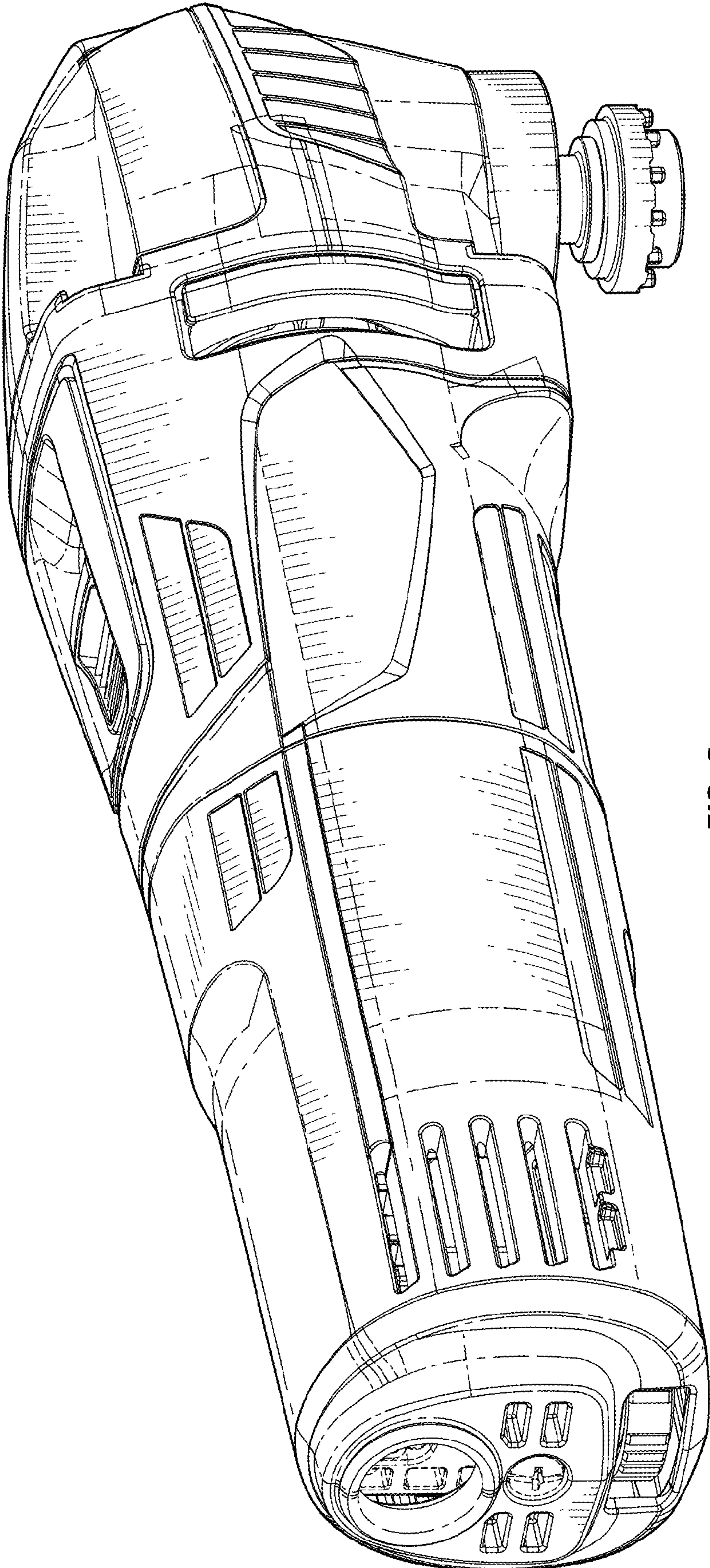


FIG. 2

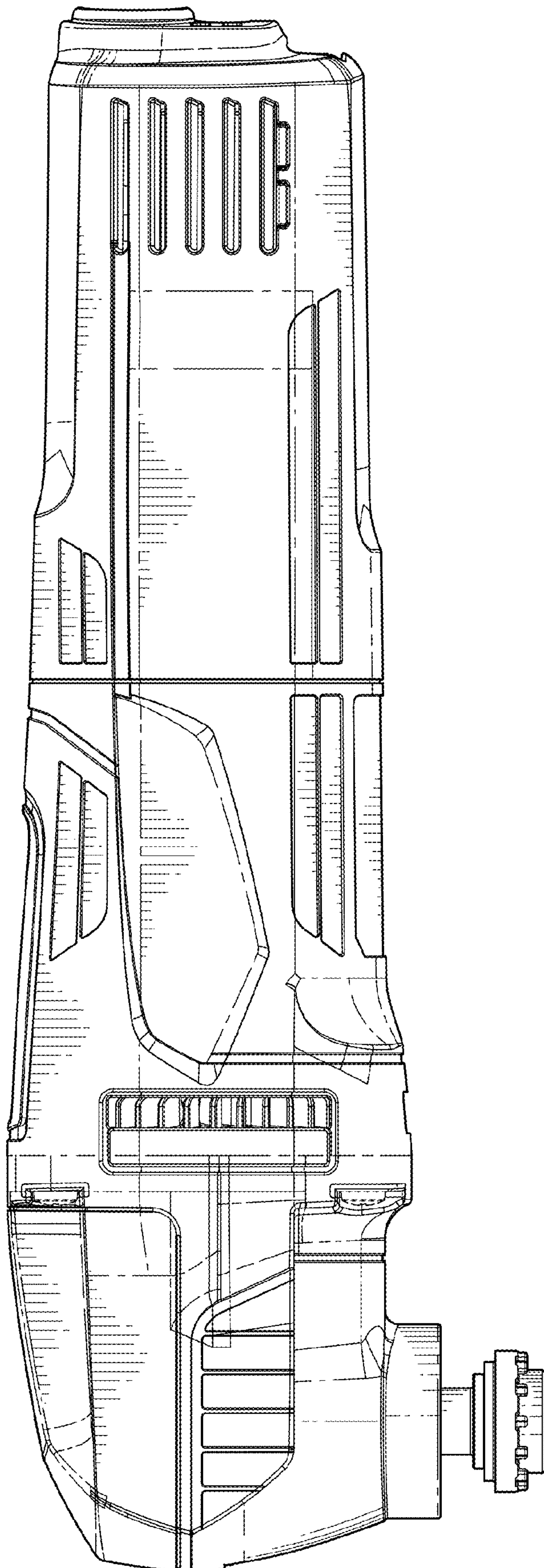


FIG. 3

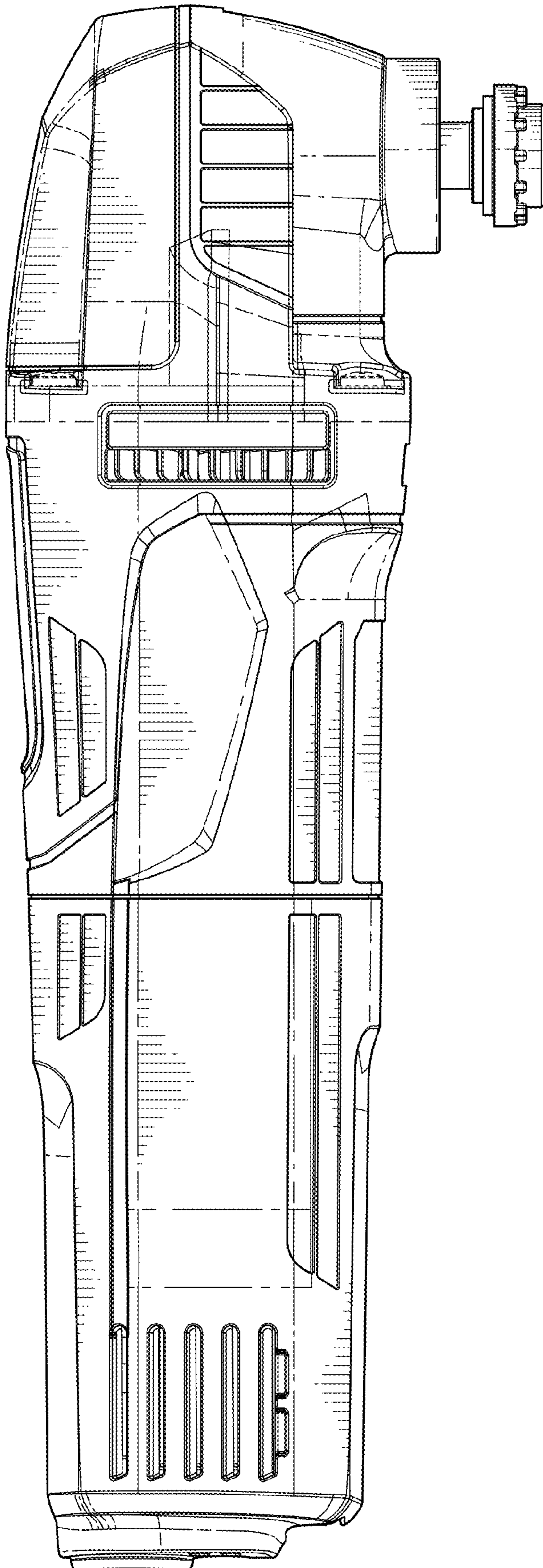


FIG. 4

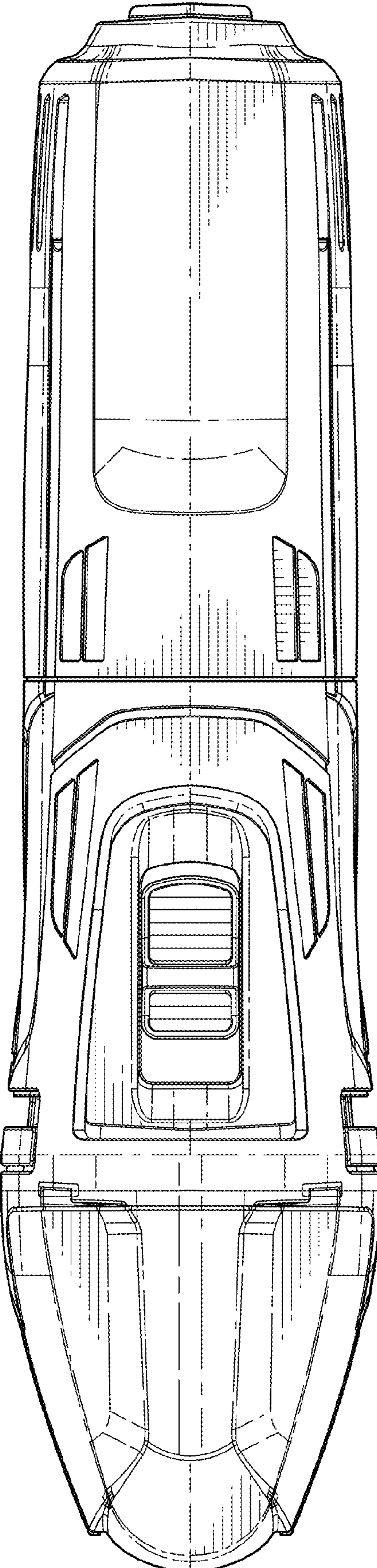


FIG. 5

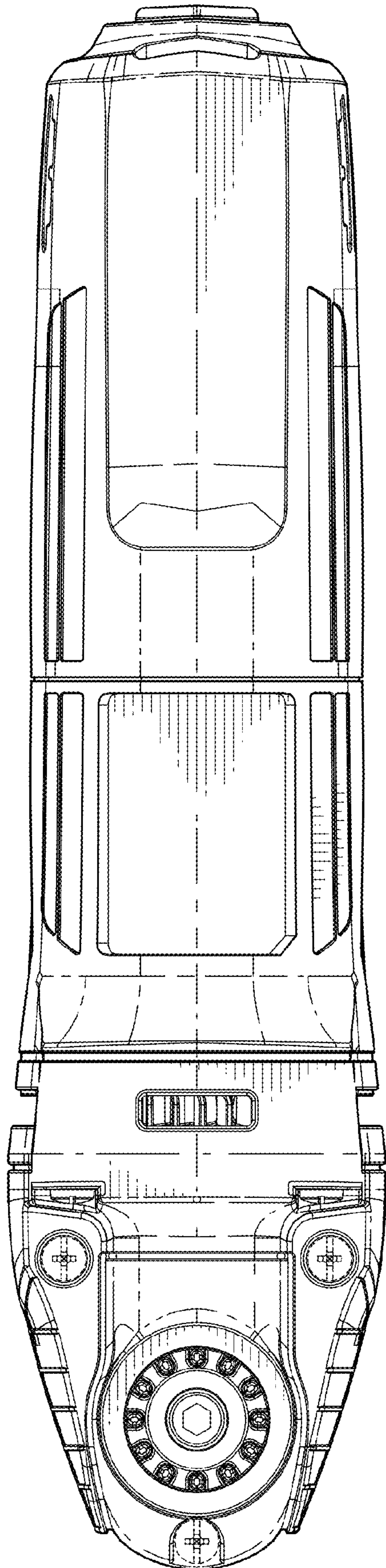


FIG. 6

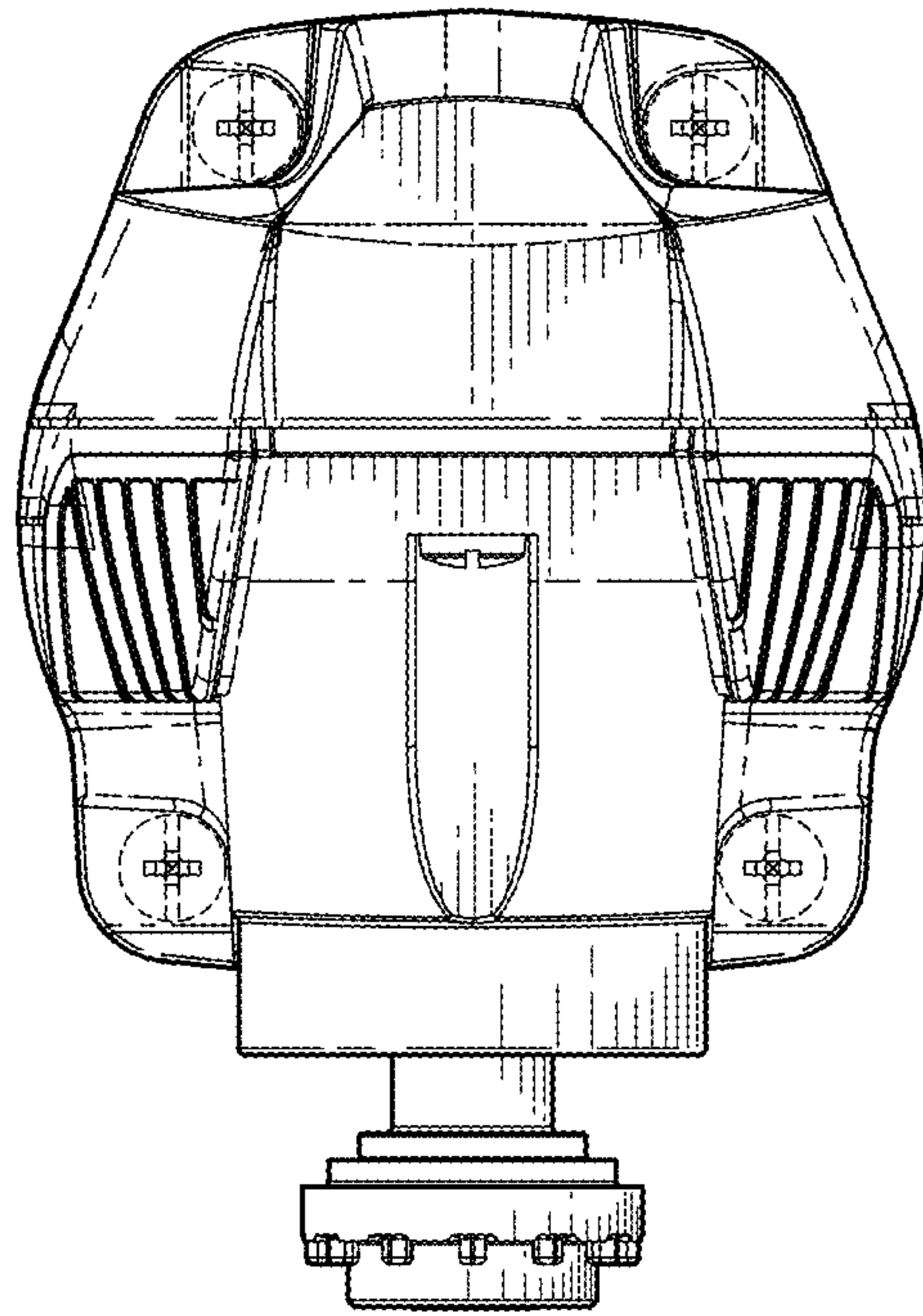


FIG. 7

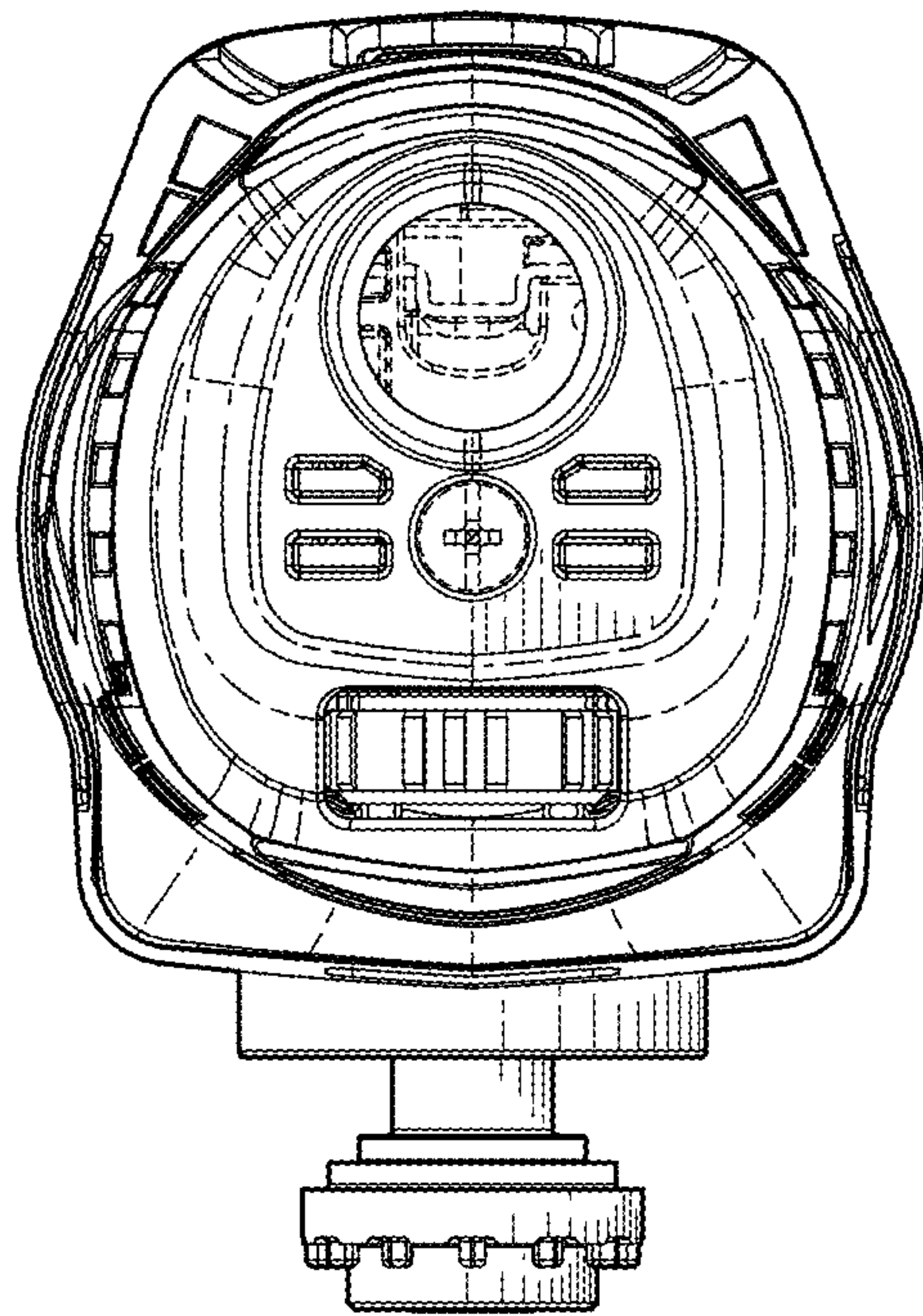


FIG. 8

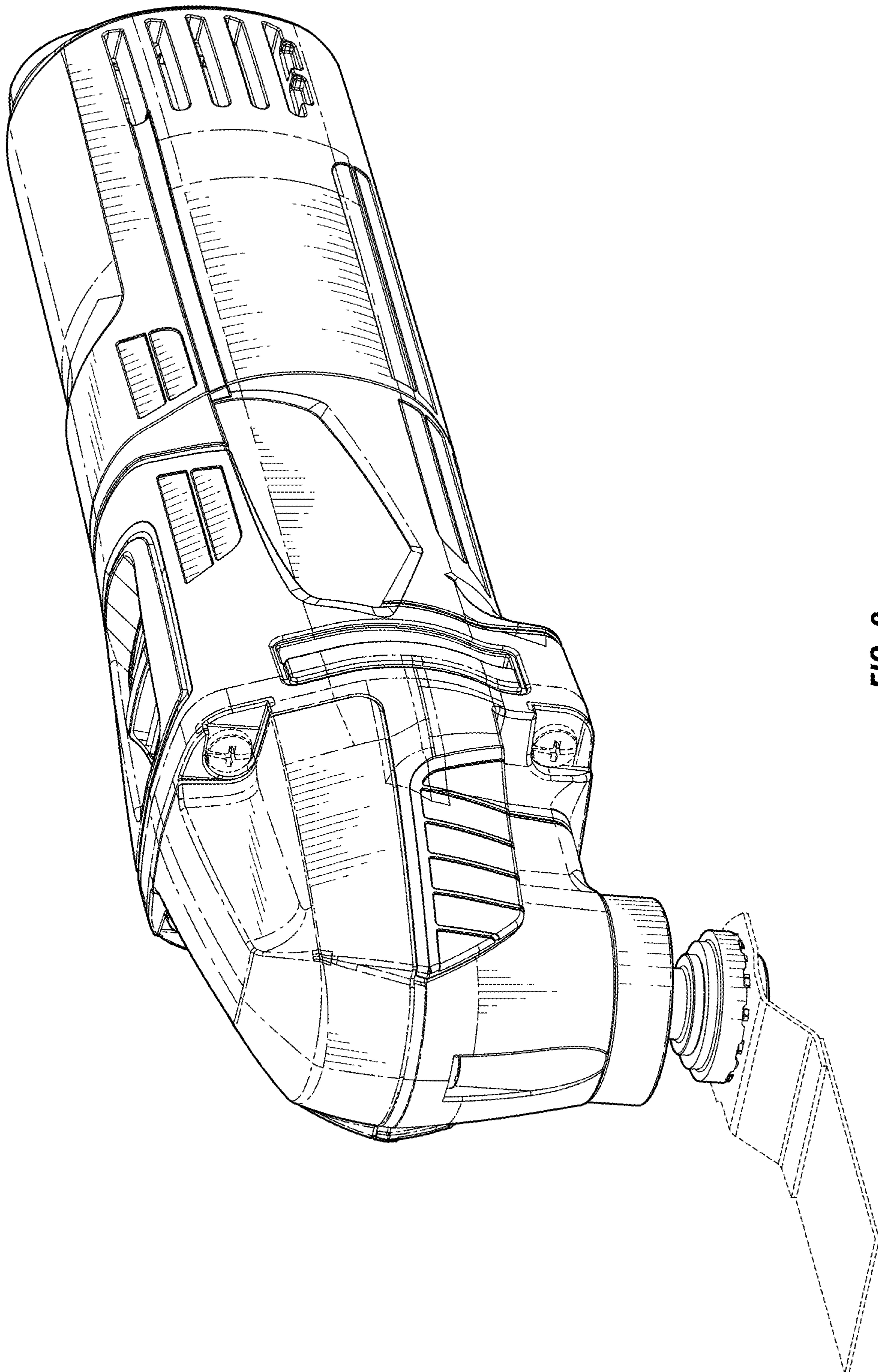


FIG. 9