



US00D891212S

(12) **United States Design Patent** (10) **Patent No.:** **US D891,212 S**
Suzuki et al. (45) **Date of Patent:** **** Jul. 28, 2020**

(54) **REINFORCEMENT BINDING MACHINE**

Primary Examiner — Austin Murphy

(71) Applicant: **MAKITA CORPORATION**, Anjo-shi, Aichi (JP)

(74) *Attorney, Agent, or Firm* — Global IP Counselors, LLP

(72) Inventors: **Wataru Suzuki**, Anjo (JP); **Yoshitaka Machida**, Anjo (JP); **Tadasuke Matsuno**, Anjo (JP)

(57) **CLAIM**

(73) Assignee: **MAKITA CORPORATION**, Anjo-Shi (JP)

The ornamental design for a reinforcement binding machine, as shown and described.

(**) Term: **15 Years**

(21) Appl. No.: **29/641,642**

DESCRIPTION

(22) Filed: **Mar. 23, 2018**

(30) **Foreign Application Priority Data**

Sep. 25, 2017 (JP) 2017-020835

(51) **LOC (12) Cl.** **08-03**

(52) **U.S. Cl.**
USPC **D8/61**

(58) **Field of Classification Search**
USPC D8/61, 62, 67, 69; 81/57, 57.11, 57.14, 81/57.26, 429, 464, 469; 173/2, 170, 173/176, 181

CPC B25B 27/10; B25B 27/146; B25B 7/12; B25B 7/126; B25B 27/00; B25B 28/00; H01R 43/0428

See application file for complete search history.

(56) **References Cited**

U.S. PATENT DOCUMENTS

D404,627 S * 1/1999 Hirabayashi D8/68
D481,602 S 11/2003 Hattori

(Continued)

FOREIGN PATENT DOCUMENTS

JP 0926275 S 5/1995
JP 1014898 S 7/1998

(Continued)

1 Claim, 9 Drawing Sheets



(56)

References Cited

U.S. PATENT DOCUMENTS

D593,828	S *	6/2009	Pond	D8/61
D668,922	S *	10/2012	Hyma	D8/61
D710,173	S *	8/2014	Frenken	D8/61
D767,959	S *	10/2016	Sokat	D8/61
D823,088	S *	7/2018	Lefavour	D8/68
D832,670	S *	11/2018	Uchiyama	D8/61
D835,963	S *	12/2018	Barezzani	D8/68
D845,729	S *	4/2019	Kitahara	D8/61
D845,733	S *	4/2019	Yajima	D8/68
D845,734	S *	4/2019	Kamijo	D8/68
D858,239	S *	9/2019	Hattori	D8/68
2008/0289394	A1 *	11/2008	Mitchell	B25B 27/10 72/409.1

FOREIGN PATENT DOCUMENTS

JP	1170166	S	4/2003
JP	1373647	S	11/2009
JP	1584964	S	9/2017

* cited by examiner



FIG. 1



FIG. 2



FIG. 3



FIG. 4

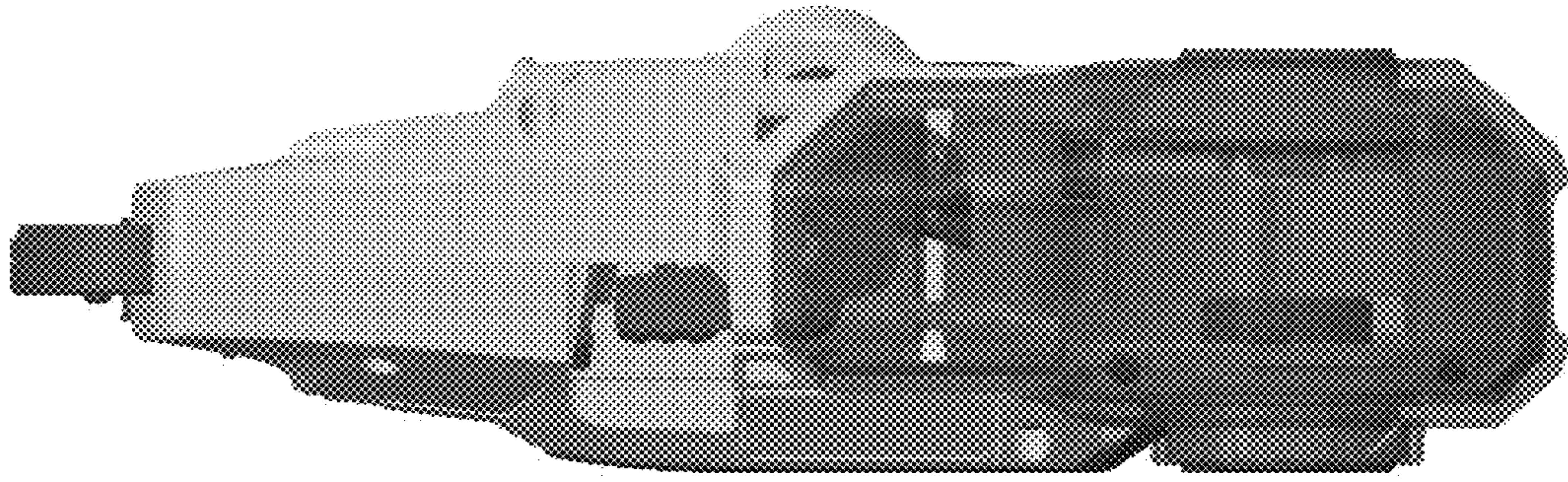


FIG. 5

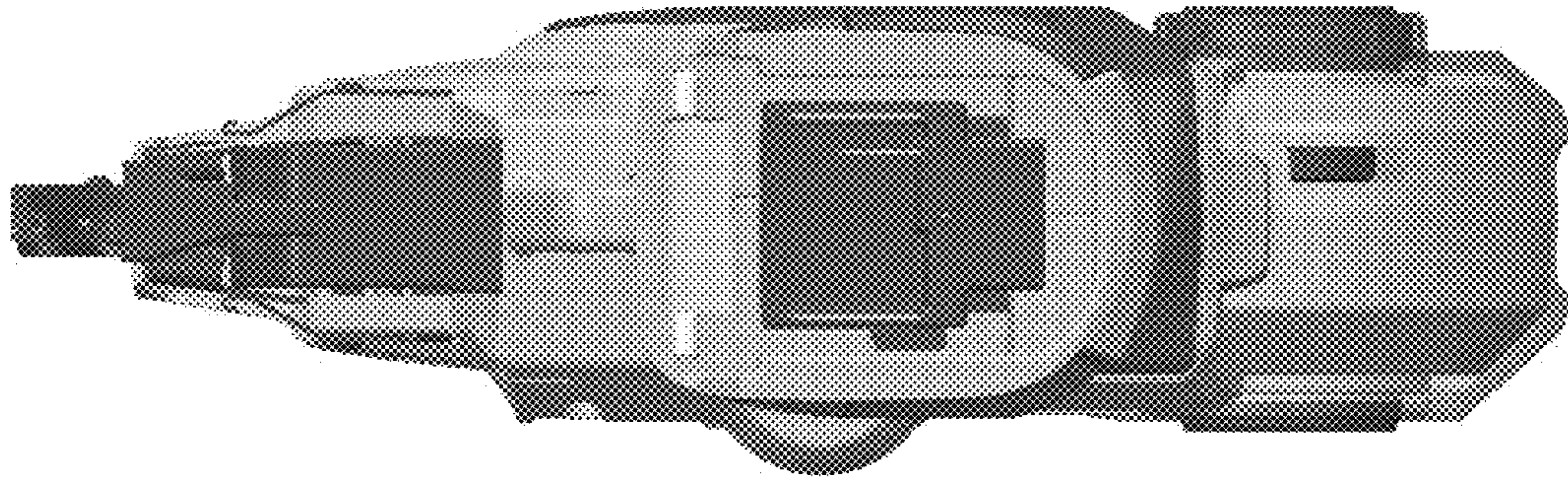


FIG. 6

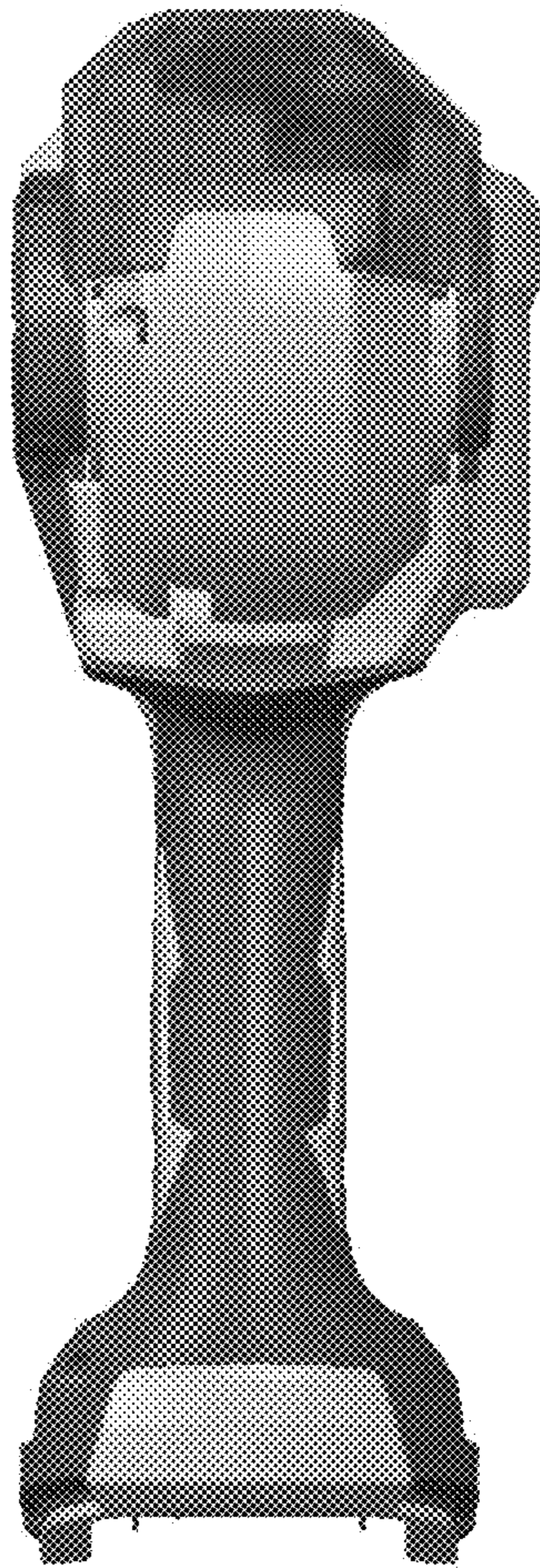


FIG. 7

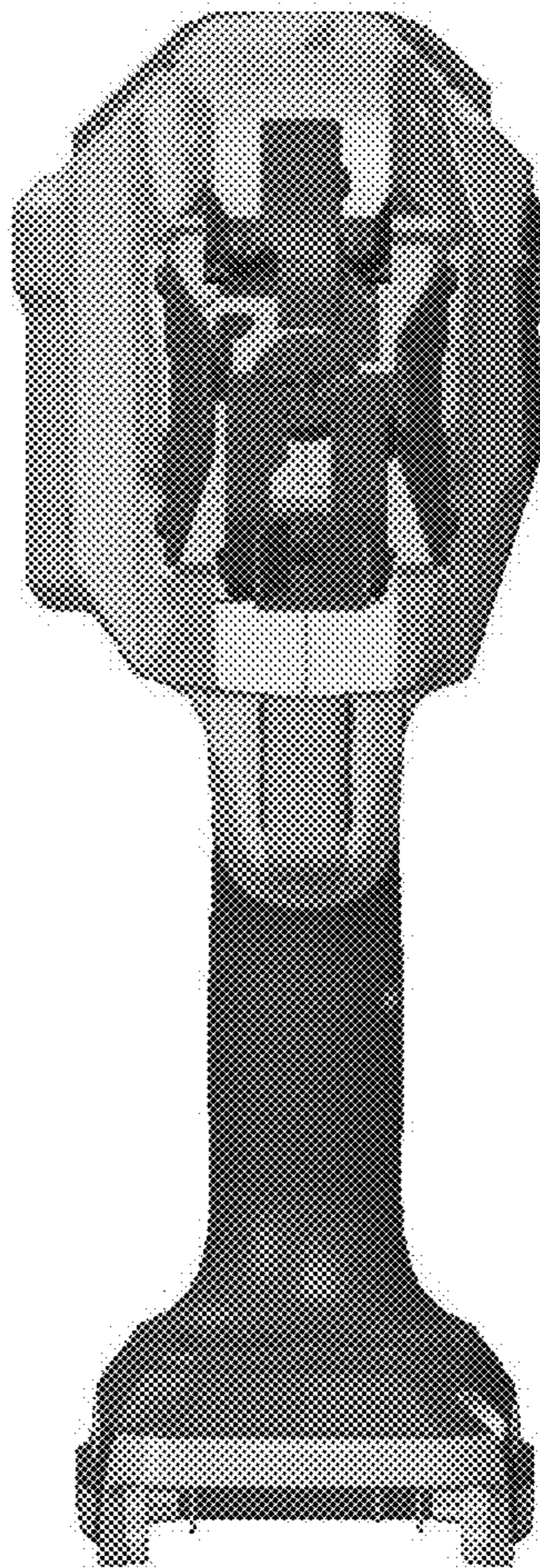


FIG. 8



FIG. 9