



US00D891211S

(12) **United States Design Patent**
Choi

(10) **Patent No.:** **US D891,211 S**
(45) **Date of Patent:** **** Jul. 28, 2020**

(54) **TROWEL**
(71) Applicant: **Sun Il Choi**, Gyeongsangnam-do (KR)
(72) Inventor: **Sun Il Choi**, Gyeongsangnam-do (KR)
(**) Term: **15 Years**
(21) Appl. No.: **29/671,502**
(22) Filed: **Nov. 28, 2018**
(51) **LOC (12) Cl.** **08-05**
(52) **U.S. Cl.**
USPC **D8/45**
(58) **Field of Classification Search**
USPC D8/14, 45, 90; D32/46
CPC E04F 21/162; E04F 21/163; E04F 21/161;
E04F 21/31; E04F 21/1655
See application file for complete search history.

4,766,635 A * 8/1988 DeVitis B28B 11/08
15/235.4
5,067,889 A * 11/1991 Humiston E04F 21/1652
15/235.7
5,792,489 A * 8/1998 Liberman E04F 21/1655
15/235.7
7,144,193 B1 * 12/2006 Bousfield E04F 21/161
404/97
8,151,405 B2 * 4/2012 Giannantonio E04F 21/1655
15/235.7
10,443,195 B2 * 10/2019 Contrino E04F 21/242
* cited by examiner

Primary Examiner — Philip S Hyder
(74) *Attorney, Agent, or Firm* — Park & Associates IP
Law, P.C.

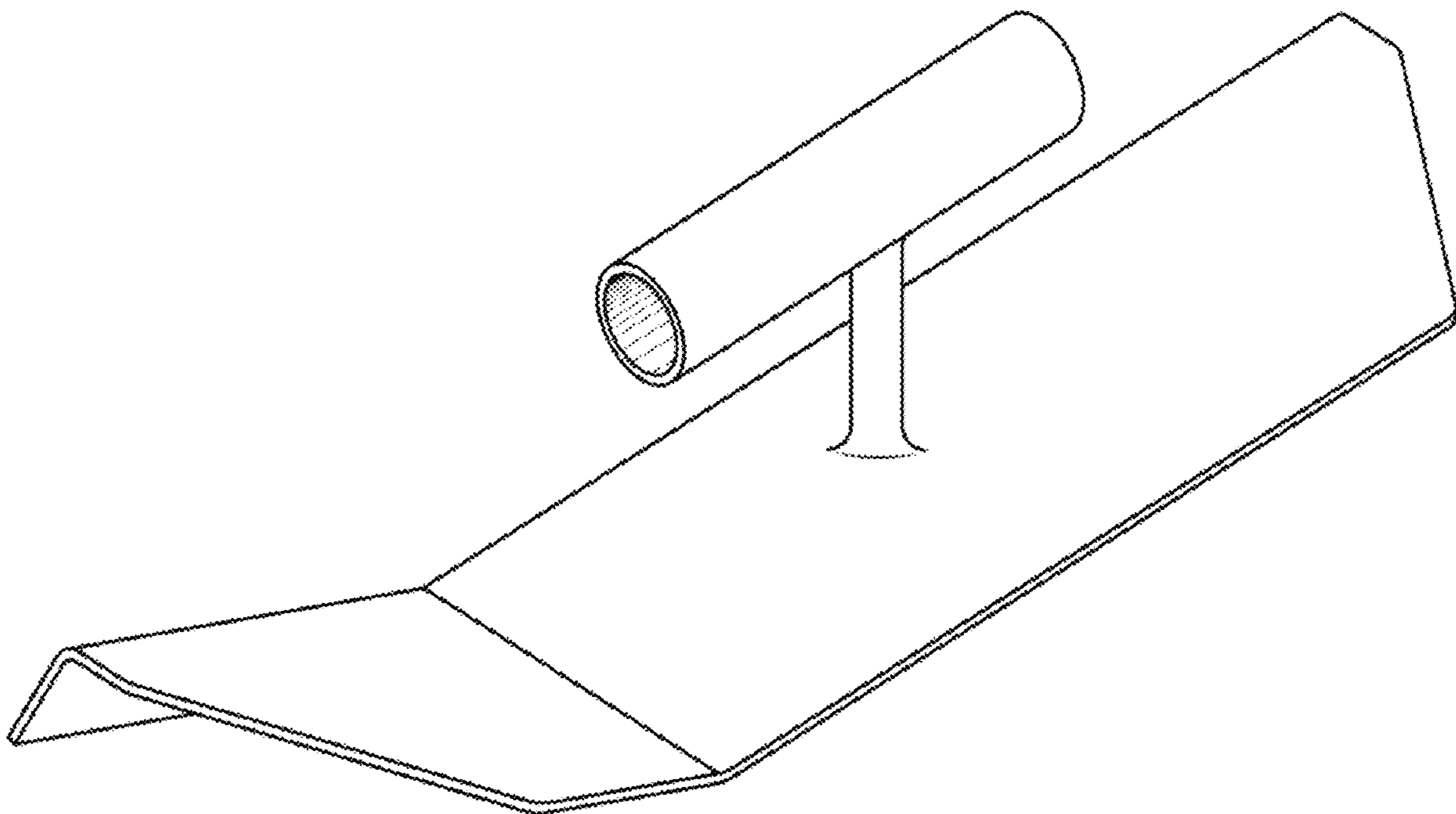
(57) **CLAIM**
The ornamental design for a trowel, as shown and described.

DESCRIPTION

FIG. 1 is a perspective view of a trowel;
FIG. 2 is a front elevational view thereof;
FIG. 3 is a rear elevational view thereof;
FIG. 4 is a left side elevational view thereof;
FIG. 5 is a right side elevational view thereof;
FIG. 6 is a top plan view thereof; and,
FIG. 7 is a bottom plan view thereof.

1 Claim, 5 Drawing Sheets

(56) **References Cited**
U.S. PATENT DOCUMENTS
2,730,756 A * 1/1956 Greene E04F 21/32
425/458
3,045,271 A * 7/1962 Cinotti E04F 21/163
15/235.8
4,467,492 A * 8/1984 Harrington E04F 21/06
15/143.1



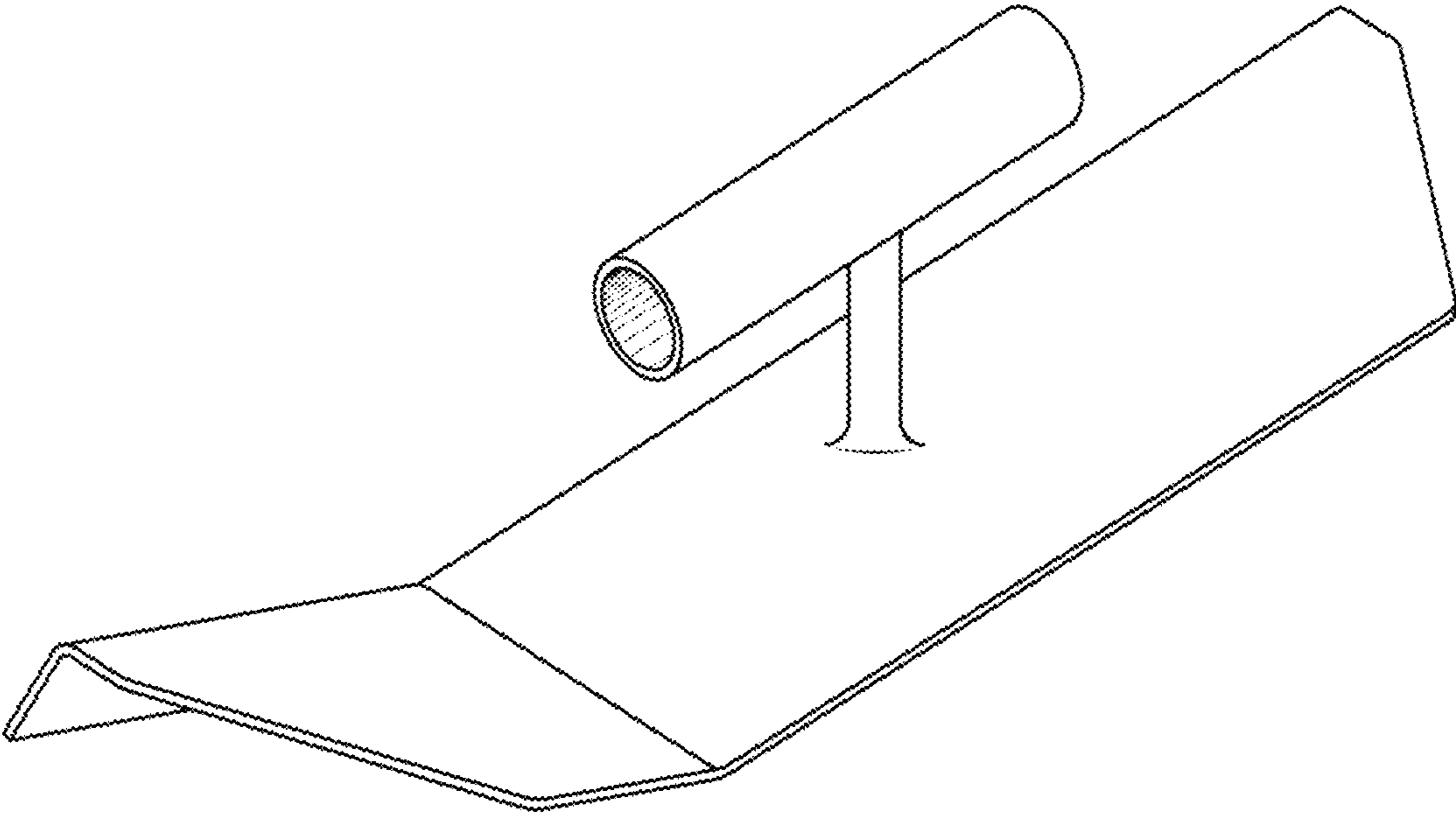


FIG. 1

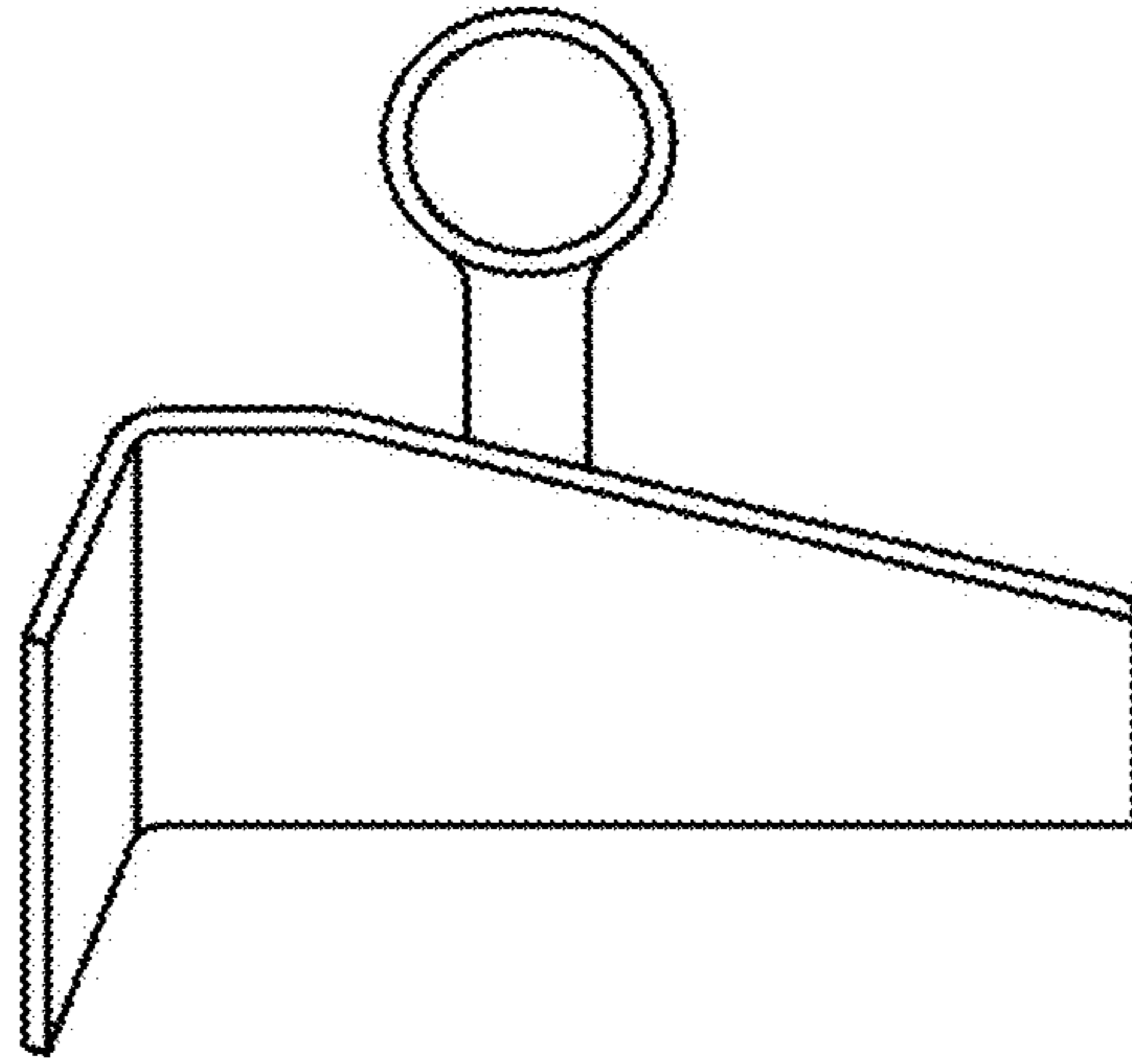


FIG. 2

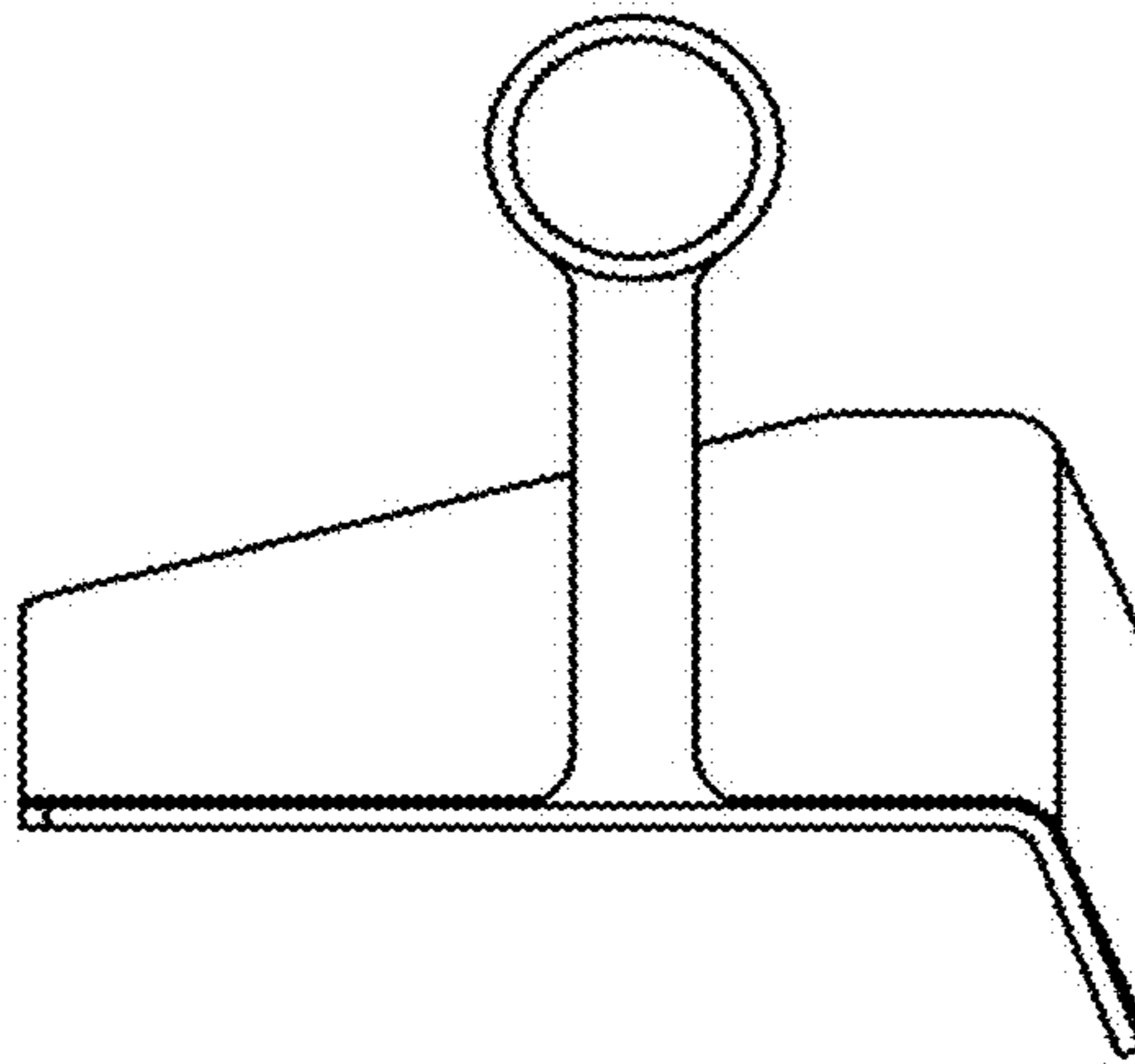


FIG. 3

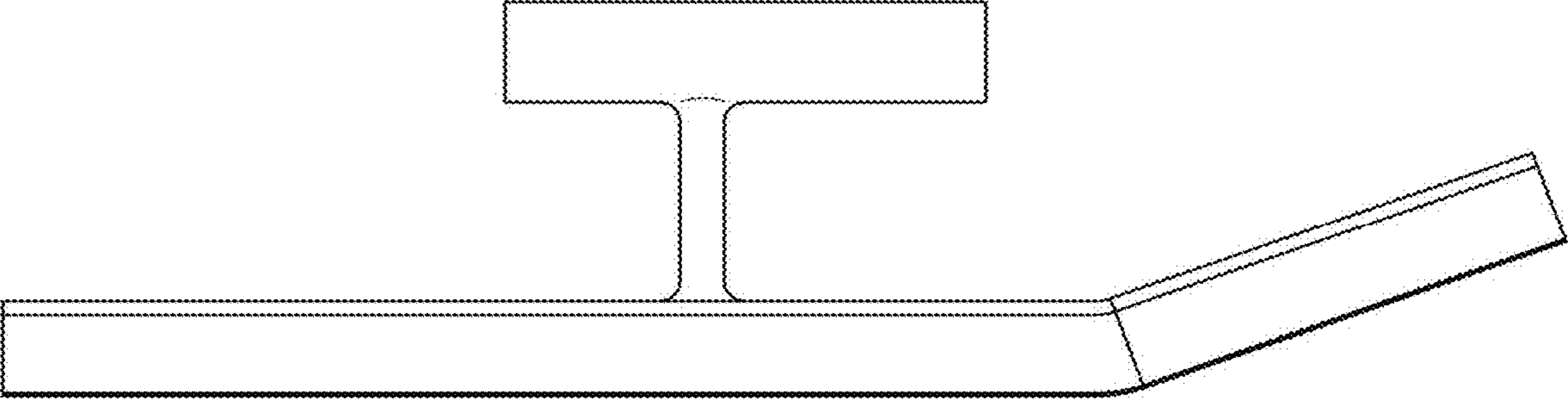


FIG. 4

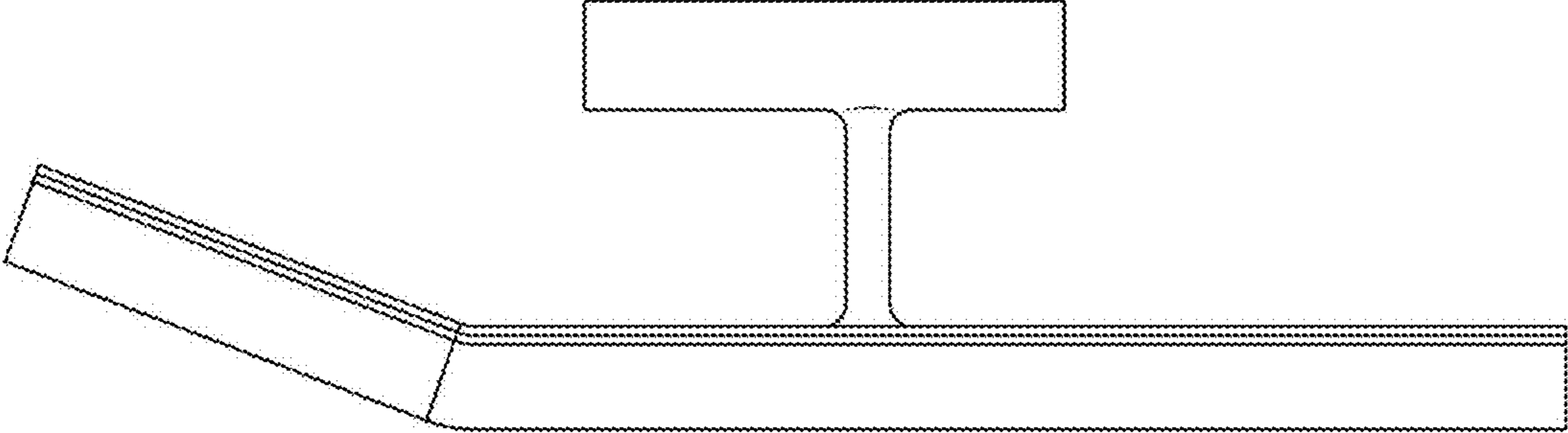


FIG. 5

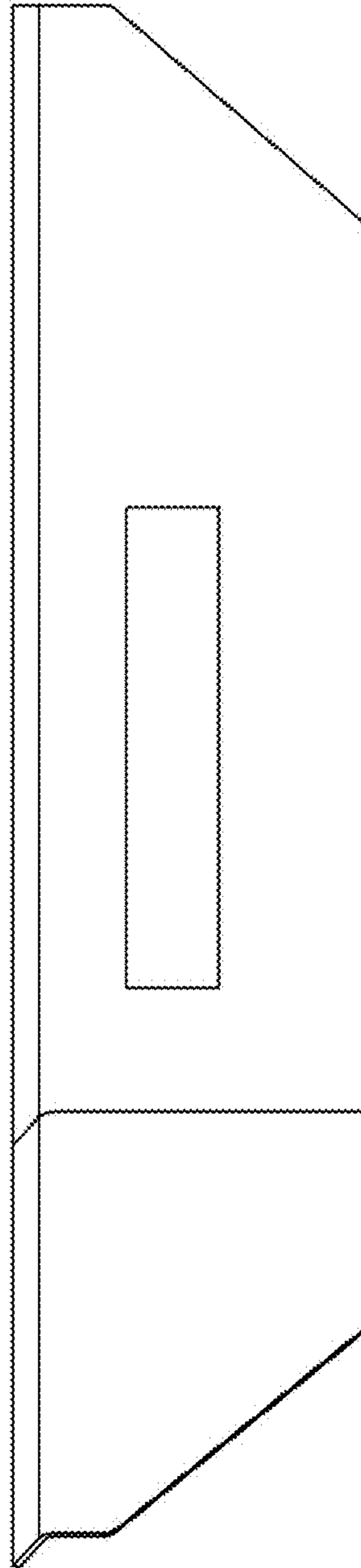


FIG. 6

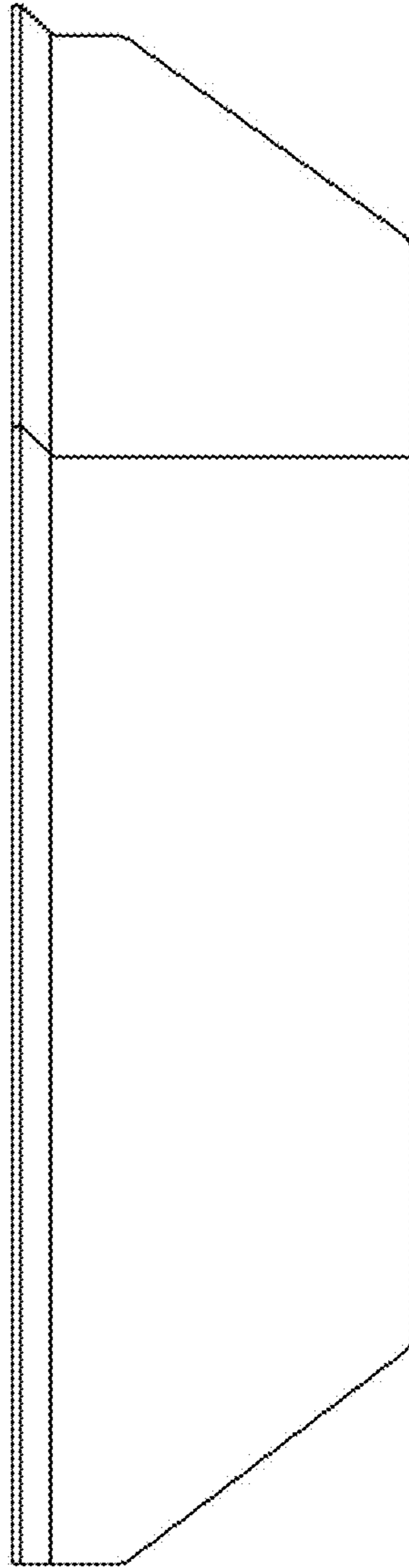


FIG. 7