



US00D891209S

(12) **United States Design Patent**
Gou

(10) **Patent No.:** **US D891,209 S**
(45) **Date of Patent:** **** Jul. 28, 2020**

- (54) **SOLDERING IRON**
- (71) Applicant: **Guangzhou Yihua Electronic Equipment Co., Ltd.**, Guangzhou, Guangdong (CN)
- (72) Inventor: **Mingkang Gou**, Guangdong (CN)
- (73) Assignee: **Guangzhou Yihua Electronic Equipment Co., Ltd.**, Guangzhou, Guangdong (CN)
- (**) Term: **15 Years**
- (21) Appl. No.: **29/690,779**
- (22) Filed: **May 10, 2019**
- (51) **LOC (12) Cl.** **08-05**
- (52) **U.S. Cl.**
USPC **D8/30**
- (58) **Field of Classification Search**
USPC D8/14, 29.1, 29.2, 30, 51; D15/144
CPC B23K 3/0615; B23K 3/063; B23K 3/06;
B23K 3/046; B23K 3/021; B23K 3/022;
B23K 3/023; B23K 3/033
See application file for complete search history.

- 5,928,536 A * 7/1999 Lee B23K 3/033
219/229
- 9,314,863 B2 * 4/2016 Teraoka B23K 3/033
- D847,233 S * 4/2019 Gou D15/144
- D847,234 S * 4/2019 Gou D15/144
- D847,235 S * 4/2019 Gou D15/144
- D862,547 S * 10/2019 Xie D15/144.2
- D879,169 S * 3/2020 Xu D15/144.2
- 2006/0108345 A1 * 5/2006 Shigekawa B23K 3/0338
219/229
- 2013/0105466 A1 * 5/2013 Teraoka B23K 3/033
219/538

* cited by examiner

Primary Examiner — Philip S Hyder
(74) *Attorney, Agent, or Firm* — Lucas & Mercanti, LLP

(57) **CLAIM**

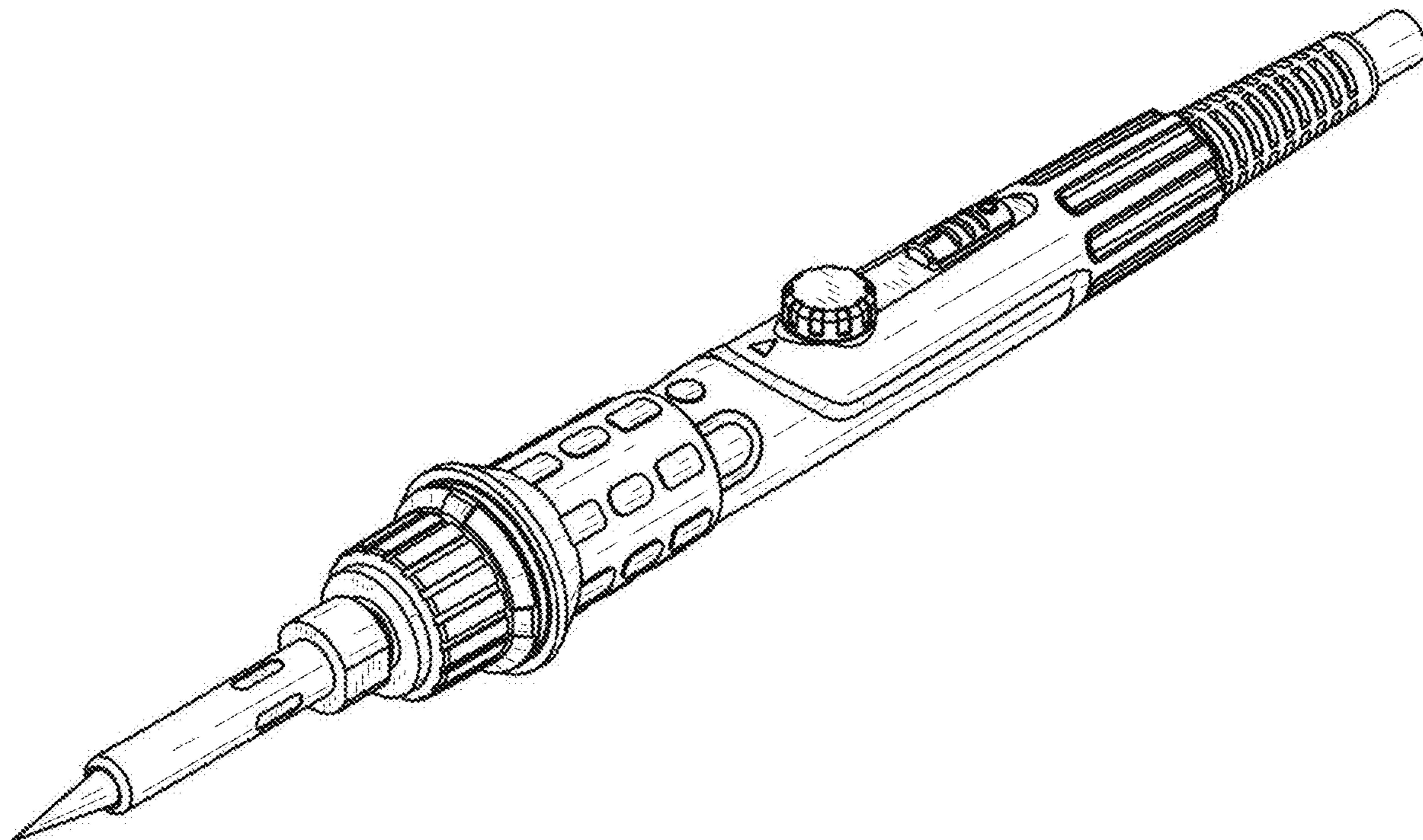
The ornamental design for a soldering iron, as shown and described.

DESCRIPTION

FIG. 1 is a perspective view of the soldering iron.
FIG. 2 is a front view thereof;
FIG. 3 is a rear view thereof;
FIG. 4 is a left side view thereof;
FIG. 5 is a right side view thereof;
FIG. 6 is a top plan view thereof; and,
FIG. 7 is a bottom plan view thereof.

1 Claim, 4 Drawing Sheets

- (56) **References Cited**
U.S. PATENT DOCUMENTS
D300,200 S * 3/1989 Arehart D8/30
D300,297 S * 3/1989 Arehart D8/30



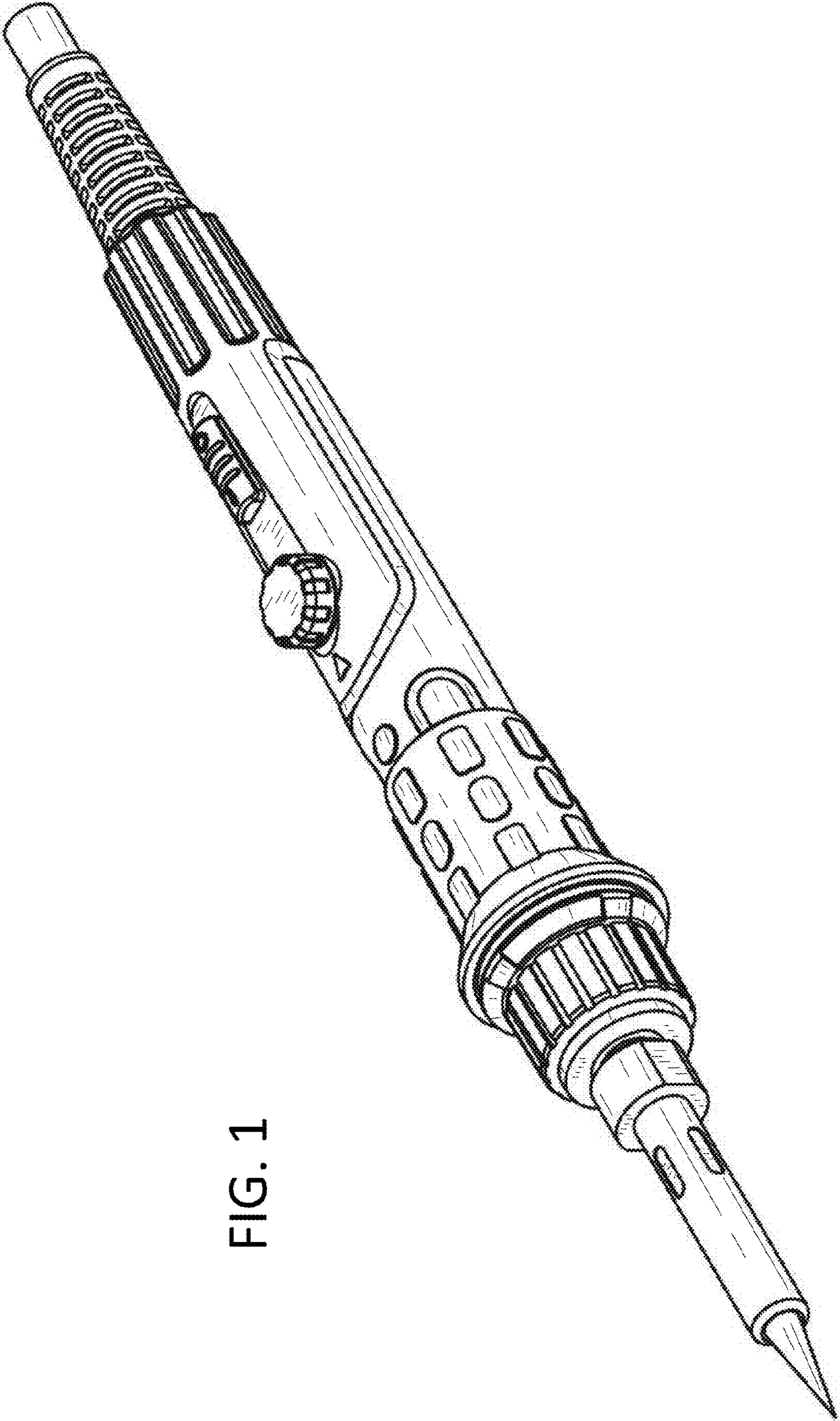


FIG. 1

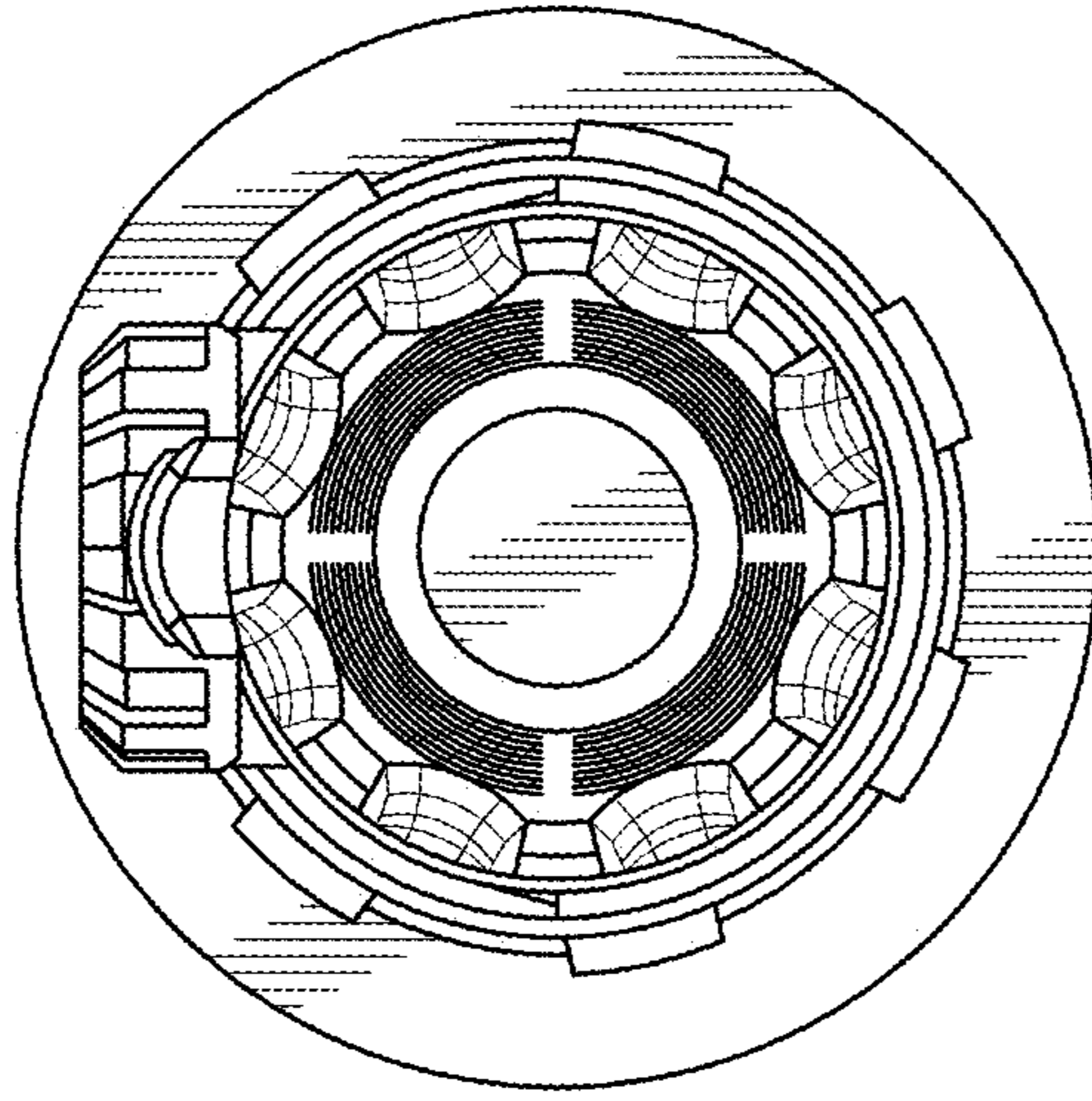


FIG. 3

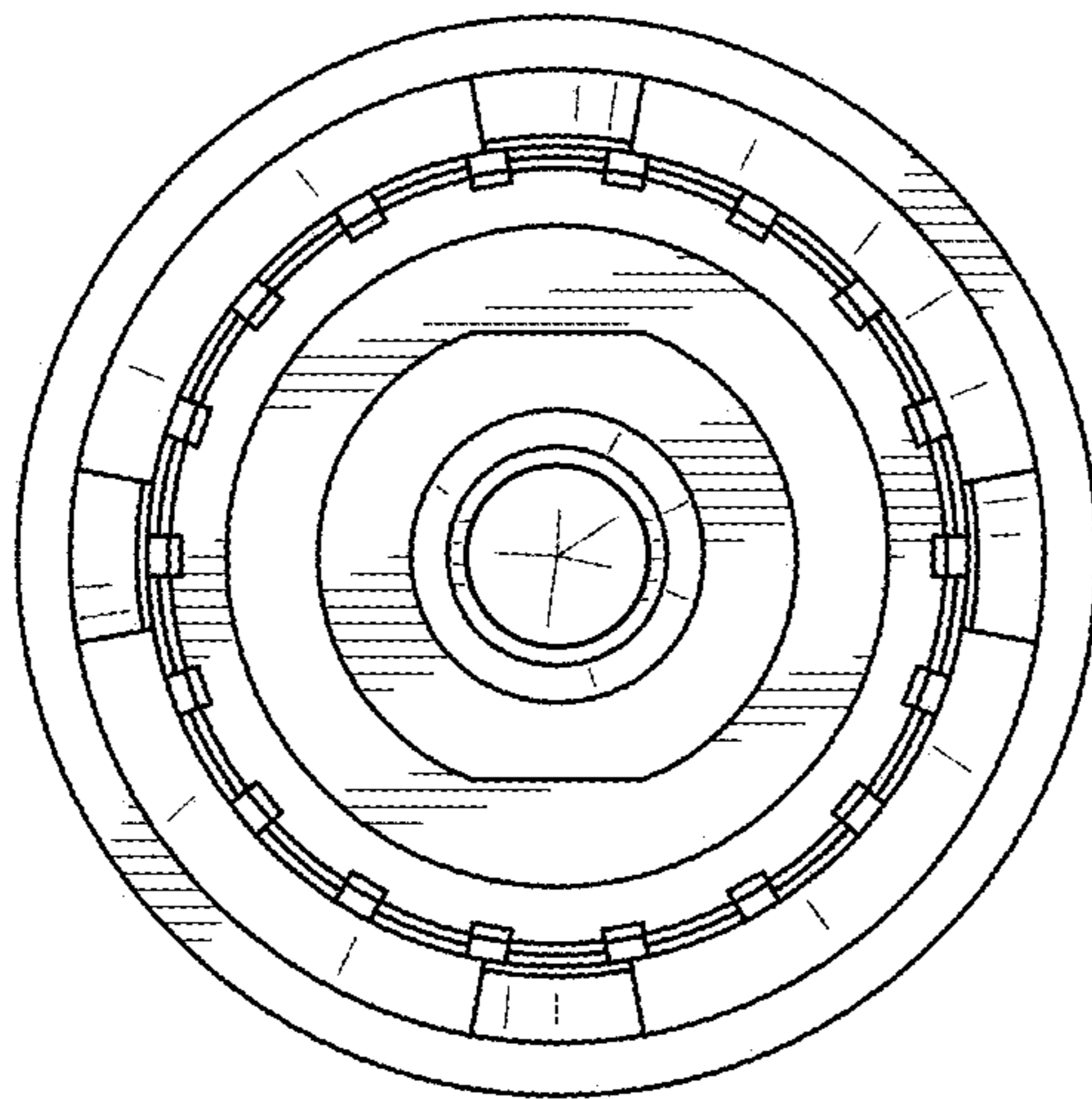


FIG. 2

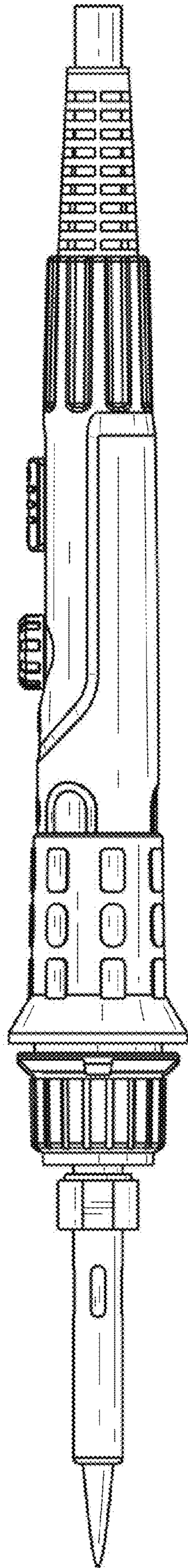


FIG. 4

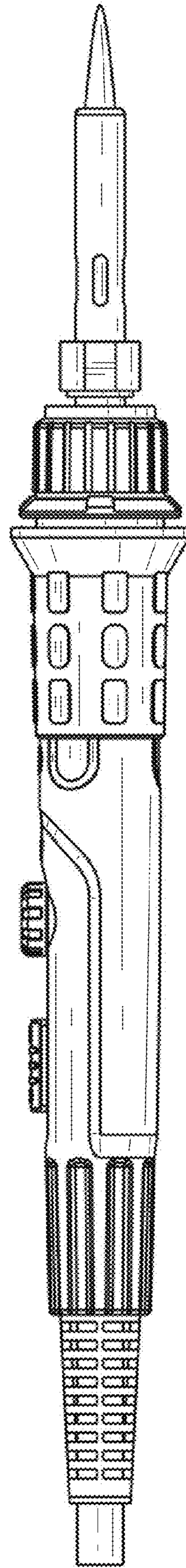


FIG. 5

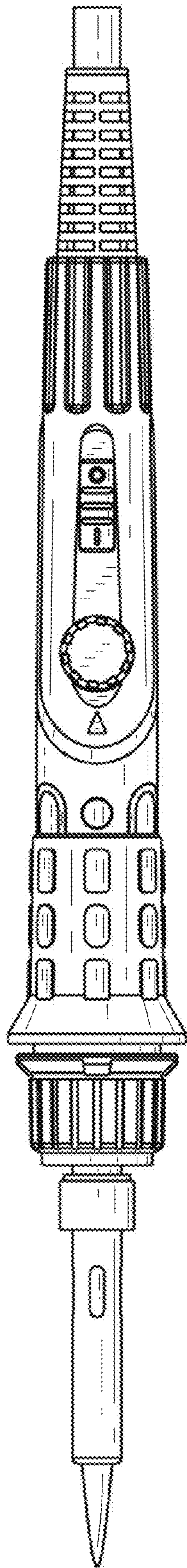


FIG. 6

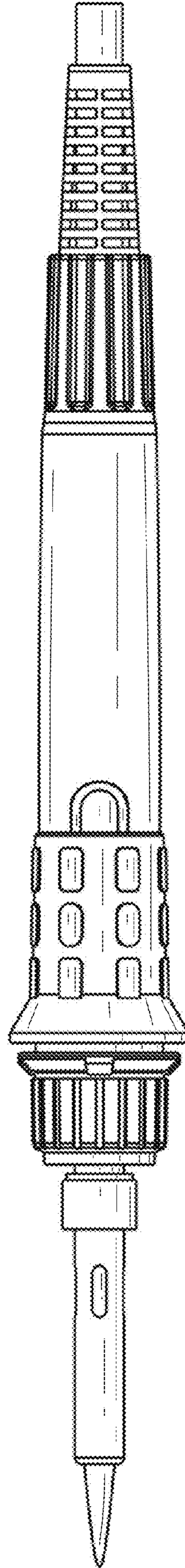


FIG. 7