



US00D891207S

(12) **United States Design Patent**  
**Antonovich**

(10) **Patent No.:** **US D891,207 S**  
(45) **Date of Patent:** **\*\* Jul. 28, 2020**

(54) **FILM APPLICATOR TOOL**

(74) *Attorney, Agent, or Firm* — Armstrong Teasdale LLP

(71) Applicant: **A Plus One, Inc.**, Madison, IL (US)

(57) **CLAIM**

(72) Inventor: **Nicholas D. Antonovich**, Madison, IL (US)

I claim the ornamental design for a film applicator tool, as shown and described.

(73) Assignee: **A PLUS ONE, INC.**, Madison, IL (US)

**DESCRIPTION**

(\*\*) Term: **15 Years**

(21) Appl. No.: **29/665,442**

(22) Filed: **Oct. 3, 2018**

(51) **LOC (12) Cl.** ..... **08-05**

(52) **U.S. Cl.**  
USPC ..... **D8/14; D8/90**

(58) **Field of Classification Search**  
USPC ..... D8/14, 90; D32/40; D21/491, 500;  
D25/126, 136, 119, 164

(Continued)

(56) **References Cited**

**U.S. PATENT DOCUMENTS**

3,961,395 A 6/1976 Journee  
D332,160 S 12/1992 Kuzma  
(Continued)

**FOREIGN PATENT DOCUMENTS**

CN 103129120 A 6/2013  
FR 2976849 B1 12/2014

**OTHER PUBLICATIONS**

Amazon.com\_ Ehdis Mini Turbo Squeegee Window Film Tools Tube Rubber Squeegee Water Blade Decal Wrap Applicator 4 Inch (9.5 Centimeter) Car Home Tint\_ Automotive, available at <<https://www.amazon.com/Ehdis-Squeegee-Window-Applicator-Centimeter/dp/B01HHOMEGY>>, accessed Sep. 12, 2018.

(Continued)

*Primary Examiner* — Philip S Hyder

FIG. 1 is a perspective view of a first embodiment of a film applicator tool showing the new design;  
FIG. 2 is a left side view thereof;  
FIG. 3 is a right side view thereof;  
FIG. 4 is a front view thereof;  
FIG. 5 is a rear view thereof;  
FIG. 6 is a top view thereof;  
FIG. 7 is a bottom view thereof;  
FIG. 8 is a perspective view of a second embodiment of a film applicator tool showing the new design;  
FIG. 9 is a left side view thereof;  
FIG. 10 is a right side view thereof;  
FIG. 11 is a front view thereof;  
FIG. 12 is a rear view thereof;  
FIG. 13 is a top view thereof;  
FIG. 14 is a bottom view thereof;  
FIG. 15 is a perspective view of a third embodiment of a film applicator tool showing the new design;  
FIG. 16 is a left side view thereof;  
FIG. 17 is a right side view thereof;  
FIG. 18 is a front view thereof;  
FIG. 19 is a rear view thereof;  
FIG. 20 is a top view thereof;  
FIG. 21 is a bottom view thereof;  
FIG. 22 is a perspective view of a fourth embodiment of a film applicator tool showing the new design;  
FIG. 23 is a left side view thereof;  
FIG. 24 is a right side view thereof;  
FIG. 25 is a front view thereof;  
FIG. 26 is a rear view thereof;  
FIG. 27 is a top view thereof;  
FIG. 28 is a bottom view thereof;  
FIG. 29 is a perspective view of a fifth embodiment of a film applicator tool showing the new design;  
FIG. 30 is a left side view thereof;

(Continued)

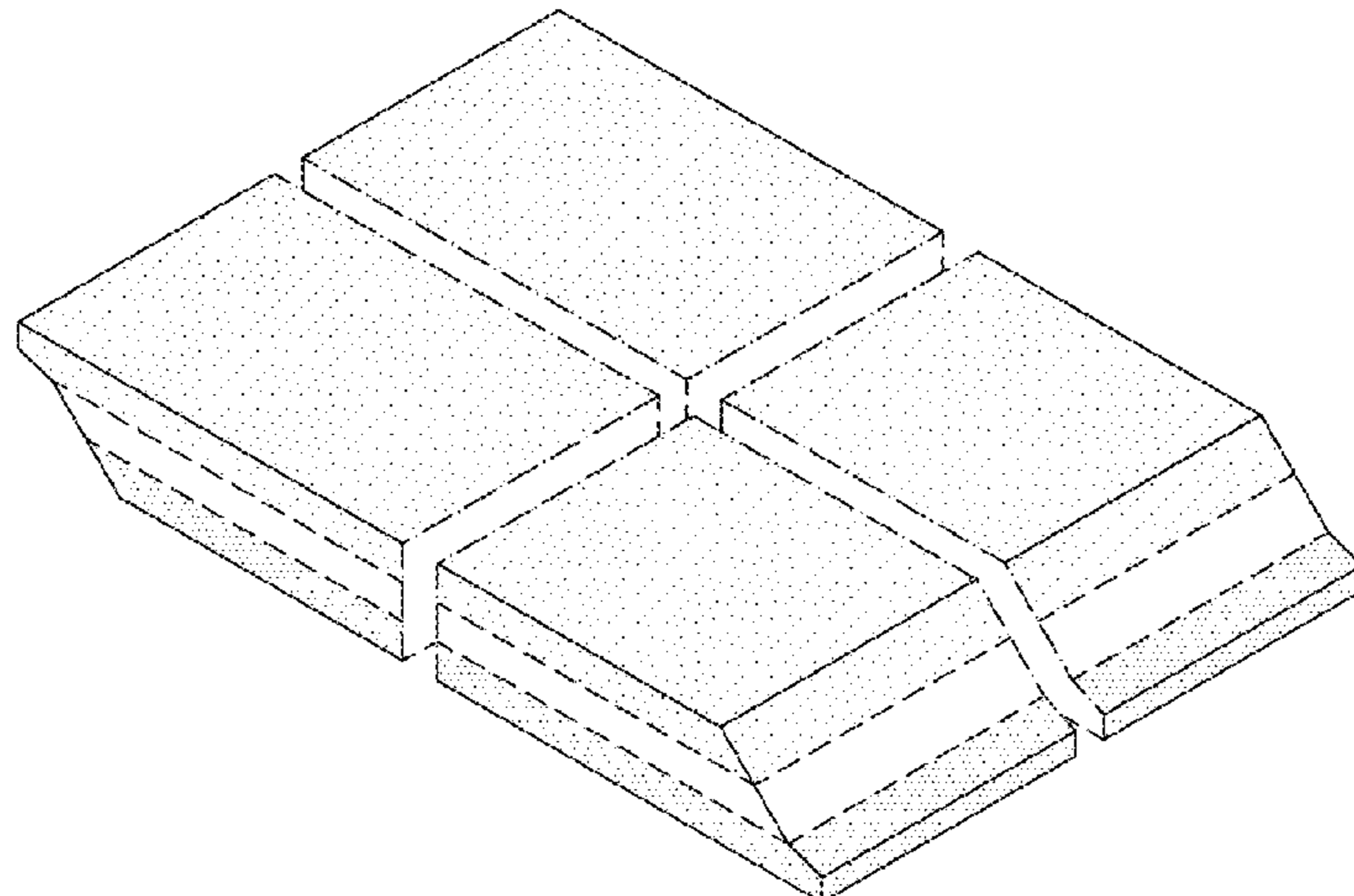


FIG. 31 is a right side view thereof;  
 FIG. 32 is a front view thereof;  
 FIG. 33 is a rear view thereof;  
 FIG. 34 is a top view thereof;  
 FIG. 35 is a bottom view thereof;  
 FIG. 36 is a perspective view of a sixth embodiment of a film applicator tool showing the new design;  
 FIG. 37 is a left side view thereof;  
 FIG. 38 is a right side view thereof;  
 FIG. 39 is a front view thereof;  
 FIG. 40 is a rear view thereof;  
 FIG. 41 is a top view thereof; and,  
 FIG. 42 is a bottom view thereof.

In these drawings, the solid lines illustrate the claimed ornamental design, whereas the broken lines illustrate unclaimed subject matter and form no part of the claimed design. The dash-dot-dash lines in FIGS. 1-14 represent indeterminate length and width of the film applicator tool, and form no part of the claimed design. The stippling in FIGS. 1-7 and 15-42 is used to indicate a contrast in appearance between different layers of the film applicator tool, with no specific color, material, texture, or other feature being claimed.

**1 Claim, 42 Drawing Sheets**

(58) **Field of Classification Search**

CPC ..... B65H 37/005; Y10T 156/18; Y10T 156/1788; B29C 63/0004  
 See application file for complete search history.

(56) **References Cited**

U.S. PATENT DOCUMENTS

5,865,945	A	2/1999	McConaughy	
D480,619	S *	10/2003	Koenig, Jr.	D8/90
7,225,848	B2	6/2007	Williams	
7,364,501	B2 *	4/2008	Ali	B24D 15/04 451/524
D571,967	S *	6/2008	Bogaerts	D32/40
7,629,043	B2 *	12/2009	Lindsay	A47L 13/16 428/316.6
D625,063	S *	10/2010	Armaly, Jr.	D32/40
7,901,275	B2 *	3/2011	Brogden	B24D 15/00 451/526
D636,955	S *	4/2011	Armaly, Jr.	D32/40
D641,527	S *	7/2011	Regnier	D32/40
8,012,280	B1	9/2011	Thorpe	
D674,565	S *	1/2013	Koenig	D32/40
8,505,150	B2 *	8/2013	Armaly, Jr.	A47L 13/16 15/244.3

9,289,942	B2 *	3/2016	Jensen	B29C 63/0004
D755,992	S *	5/2016	Hill	D25/118
9,327,479	B1	5/2016	Calman	
D788,949	S *	6/2017	Hill	D25/139

OTHER PUBLICATIONS

Window Film Handled Squeegee Tools\_ Window Film Installation Tool Catalog \_ Concord Window Films, available at <[http://www.windowfilm.com/tool\\_catalog/tool\\_index5.htm](http://www.windowfilm.com/tool_catalog/tool_index5.htm)>, accessed Sep. 12, 2018.

2pcs Multilateral mini pink ABS squeegee corner scraper Vehicle Film Window Tint Glass Decal Applicator Car Headlight Tools—fairwheels\_shop, available at <<https://fairwheels.com/shop/product/2pcs-multilateral-mini-pink-abs-squeegee-corner-scraper-vehicle-film-window-tint-glass-decal-applicator-car-headlight-tools/>>, accessed Sep. 12, 2018.

2x Rubber Squeegee 2Edged Car Window Tint Film Tool Decal Wrap Applicator New \_ eBay, available at <<https://www.ebay.com/itm/2x-Rubber-Squeegee-2Edged-Car-Window-Tint-Film-Tool-Decal-Wrap-Applicator-New-/192615932038>>, accessed Sep. 12, 2018.

8 in 1 Squeegee Car Window Tinting Auto Film Install Wrapping Applicator Tools—Walmart.com, available at <<https://www.walmart.com/ip/8-in-1-Squeegee-Car-Window-Tinting-Auto-Film-Install-Wrapping-Applicator-Tools/537301548>>, accessed Sep. 12, 2018.

3M PA1—B Hand Applicator S-16138—Uline, available at <[https://www.uline.com/Product/Detail/S-16138/Tape-Dispensers-Hand-Held/3M-PA1-B-Hand-Applicator?pricode=WB2061&gadtype=pla&id=S-16138&gclid=CjwKCAjw8uLcBRACEiwAaL6MSRBYIHB3BmJG\\_9lvXR0q4D\\_ZsRuOTPIPIf7wHHd9lgZnvhoC4pUQAvD\\_BwE&gclid=aw.ds](https://www.uline.com/Product/Detail/S-16138/Tape-Dispensers-Hand-Held/3M-PA1-B-Hand-Applicator?pricode=WB2061&gadtype=pla&id=S-16138&gclid=CjwKCAjw8uLcBRACEiwAaL6MSRBYIHB3BmJG_9lvXR0q4D_ZsRuOTPIPIf7wHHd9lgZnvhoC4pUQAvD_BwE&gclid=aw.ds)>, accessed Sep. 12, 2018.

Shop GILA Window Film Installation Kit at Lowes.com, available at <<https://www.lowes.com/pd/GILA-Window-Film-Installation-Kit/1099301>>, accessed Sep. 12, 2018.

Amazon.com\_ Ehdis 5PCS Soft Vinyl Wrap Tool Mini Window Tint Film Installing Squeegee Vinyl Film Applicator Scraper for Vinyl Wraps & Decals with Black Fabric Felt\_ Automotive, available at <<https://www.amazon.com/Ehdis-Installing-Squeegee-Applicator-Scraper/dp/B01K3Z9R5K>>, accessed Sep. 12, 2018.

Amazon.com\_ 10PCS Soft Vinyl Wrap Tool Mini Window Tint Film Installing Squeegee Film Applicator Scraper Decals with Black Fabric Felt\_ Automotive, available at <<https://www.amazon.com/Window-Installing-Squeegee-Applicator-Scraper/dp/B06X3XNJLB>>, accessed Sep. 12, 2018.

Amazon.com\_ Ehdis New Upgrade Vinyl Wrap Tools Set Kits Car Window Tint Film Applicator for Automotive Wrapping Decals DIY Interior\_ Automotive, available at <<https://www.amazon.com/Ehdis-Applicator-Automotive-Wrapping-Interior/dp/B073F6YHSZ>>, accessed Sep. 12, 2018.

Fusion Tools Catalog, available at <<https://www.fusintinttools.com/catalog.html>>, accessed Sep. 12, 2018.

\* cited by examiner

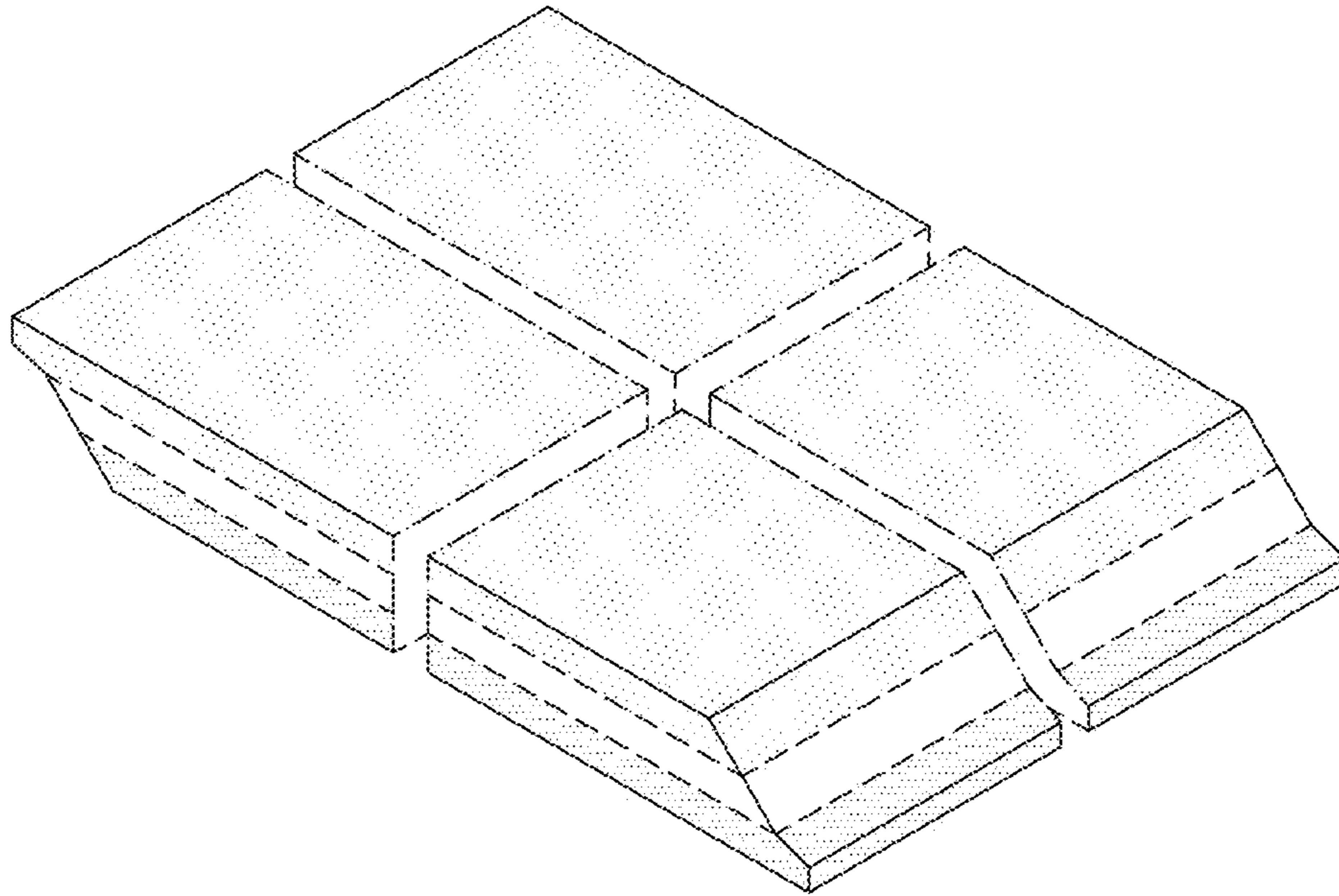


FIG. 1

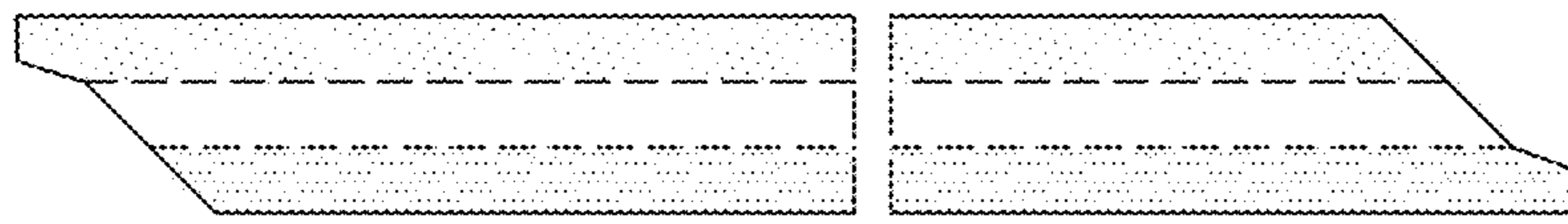


FIG. 2

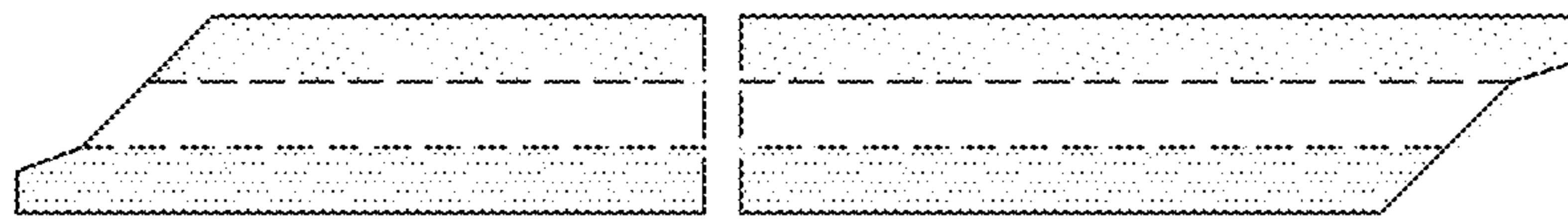


FIG. 3

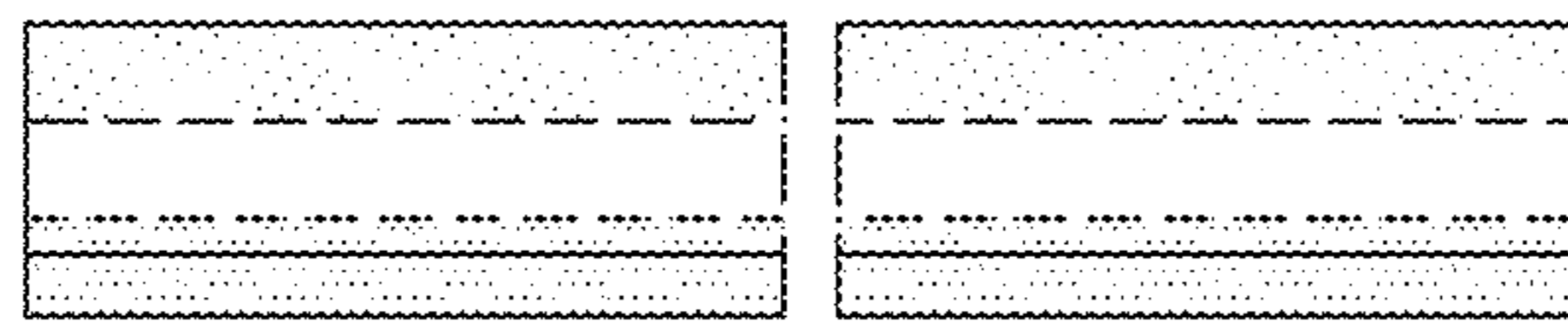


FIG. 4

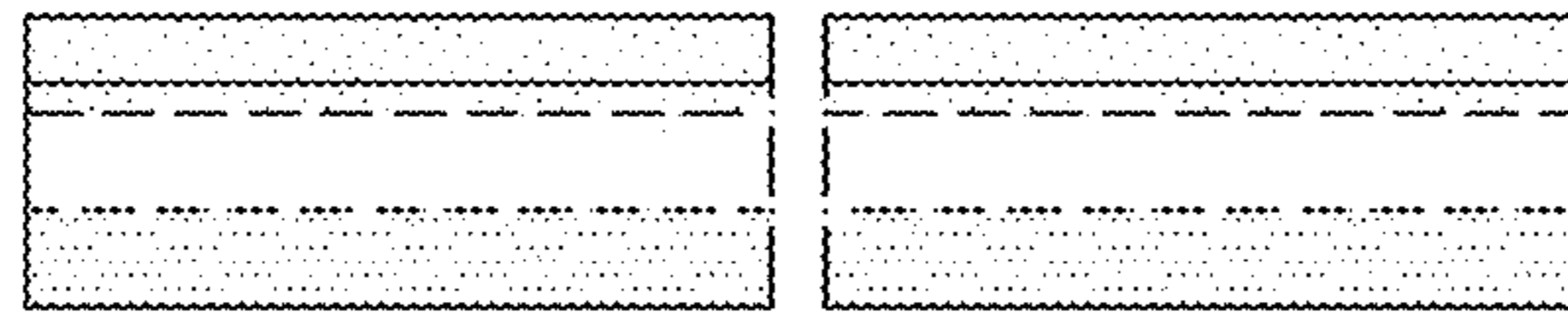


FIG. 5

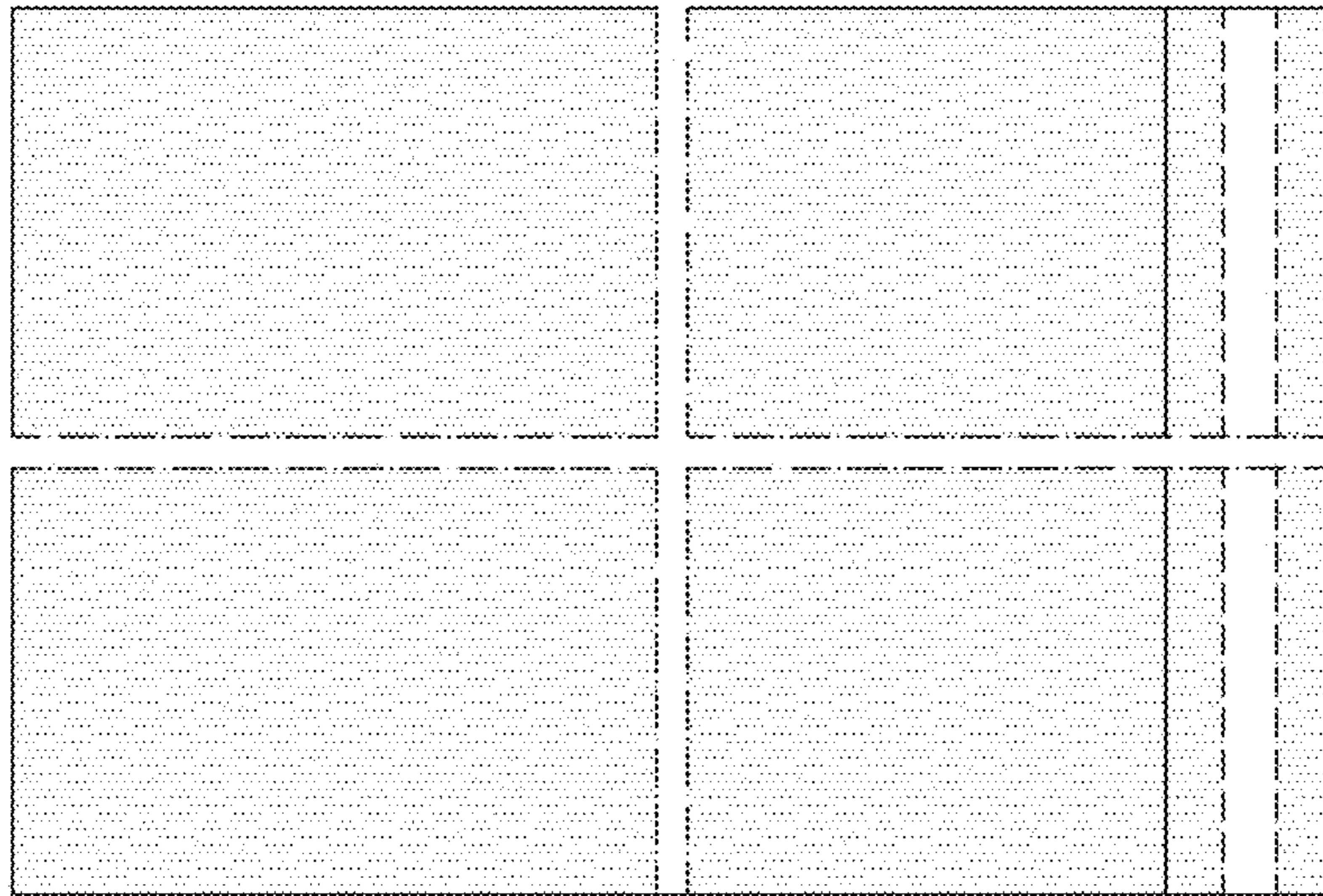


FIG. 6



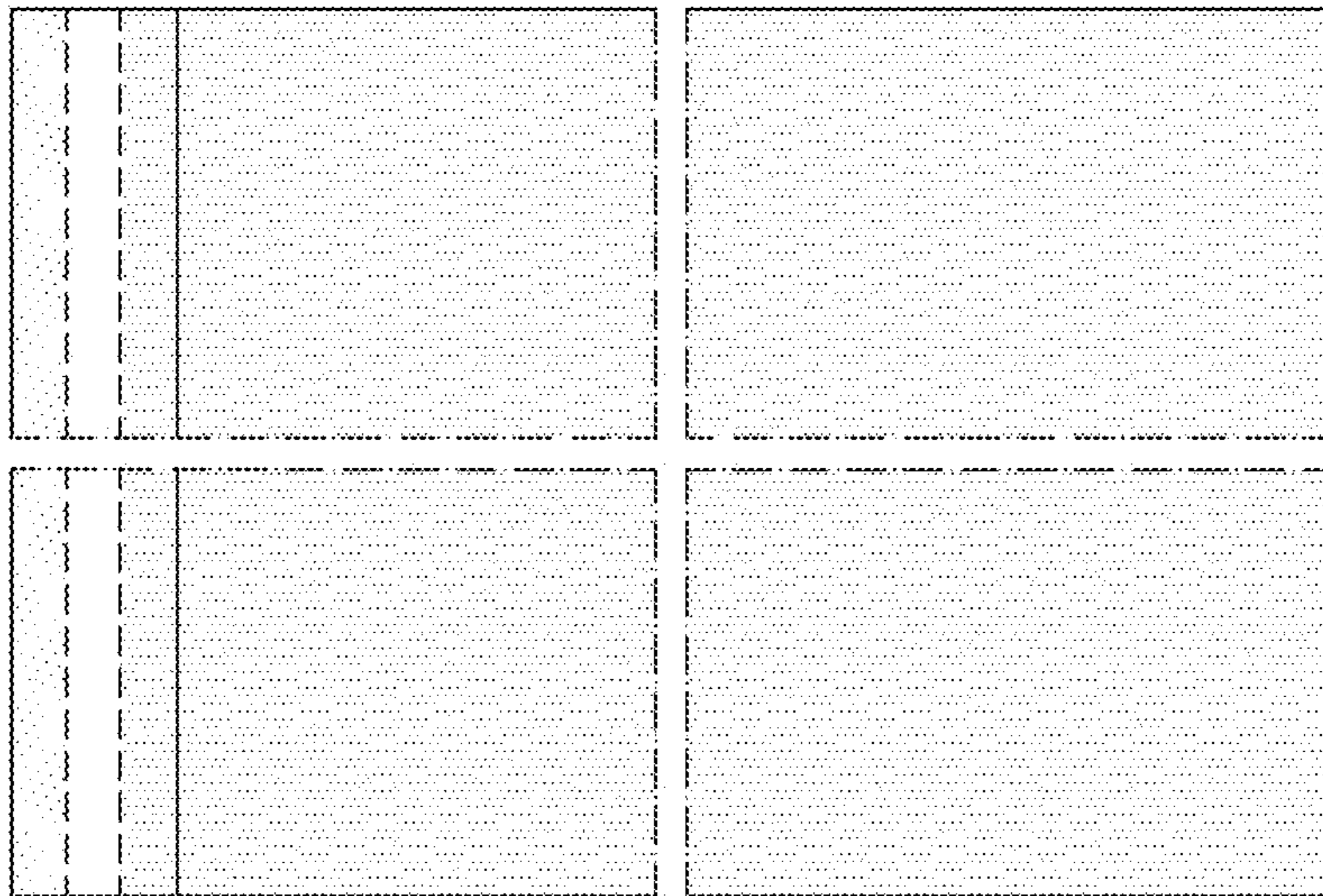


FIG. 7

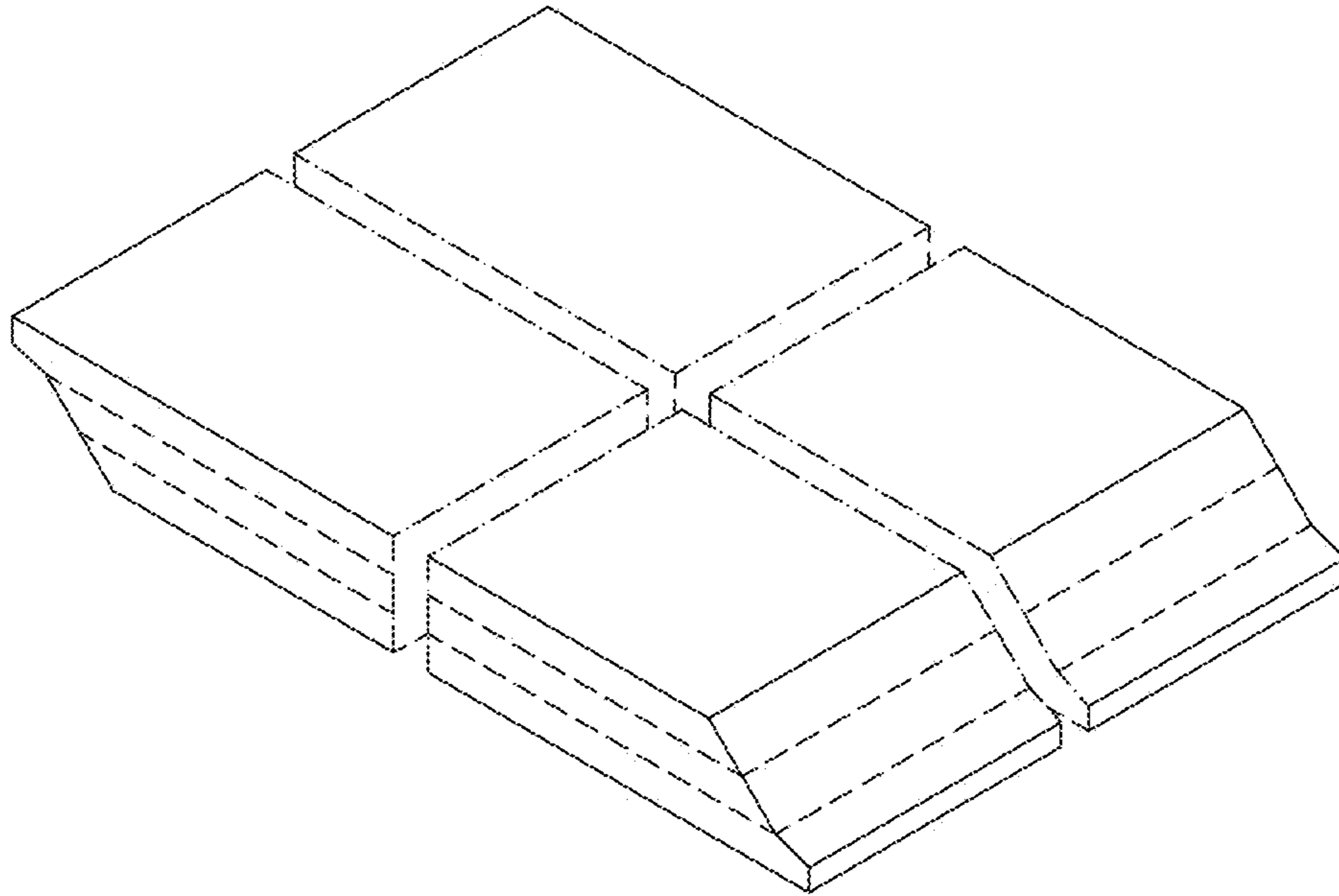


FIG. 8

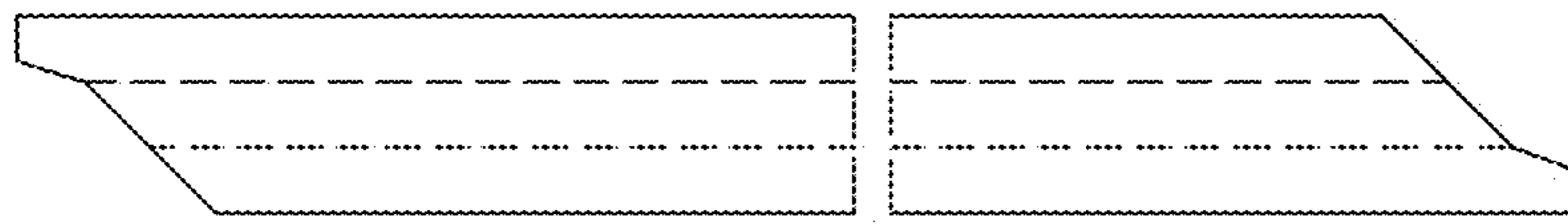


FIG. 9

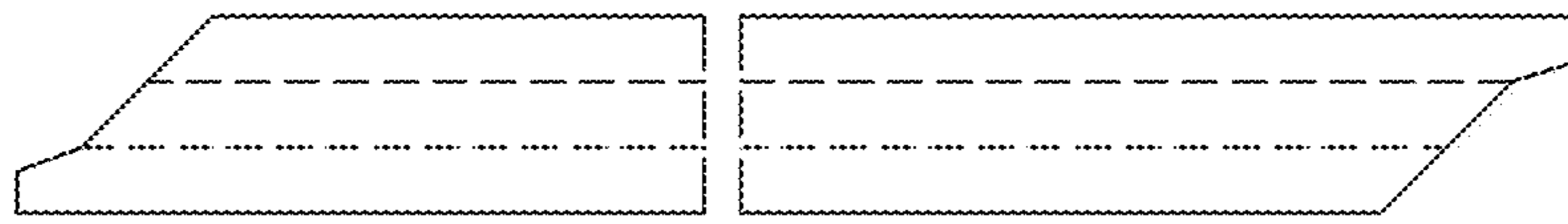


FIG. 10

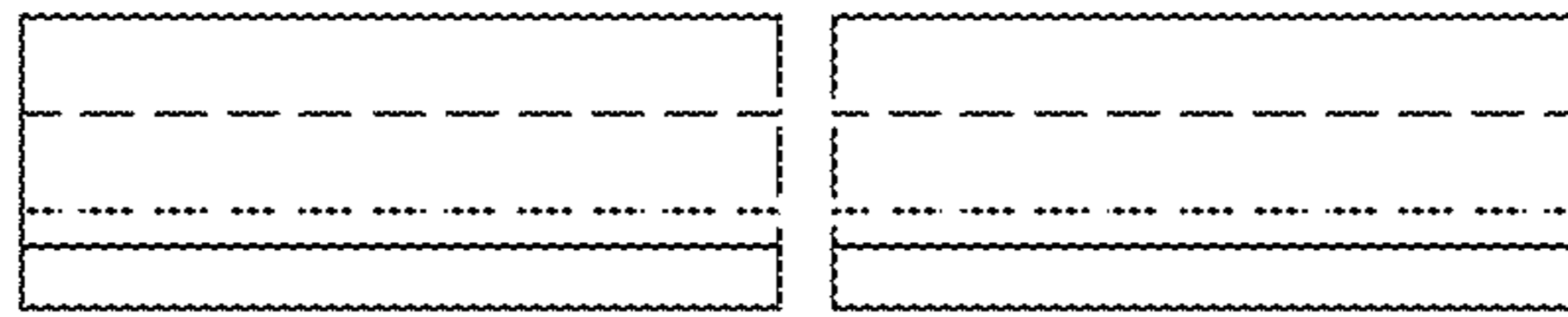


FIG. 11

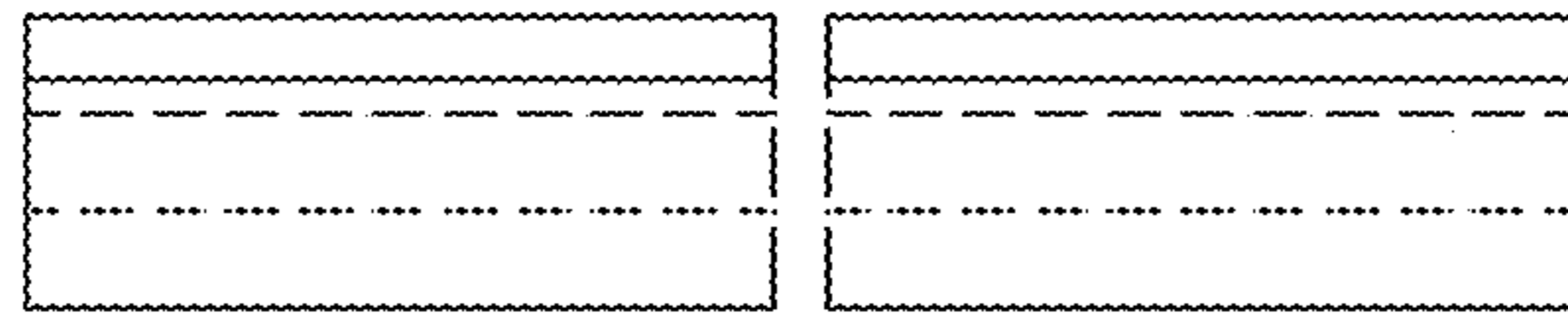


FIG. 12

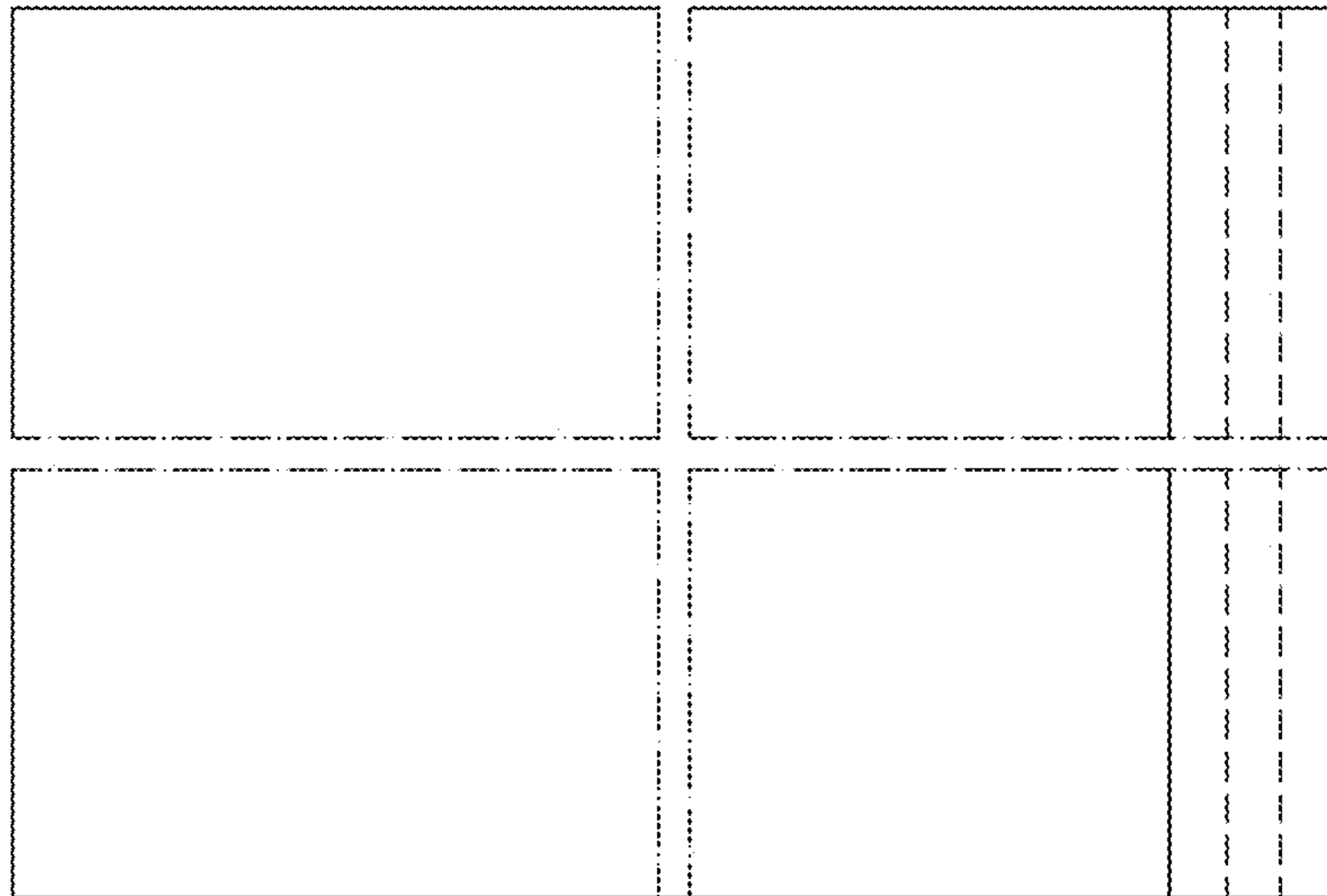


FIG. 13

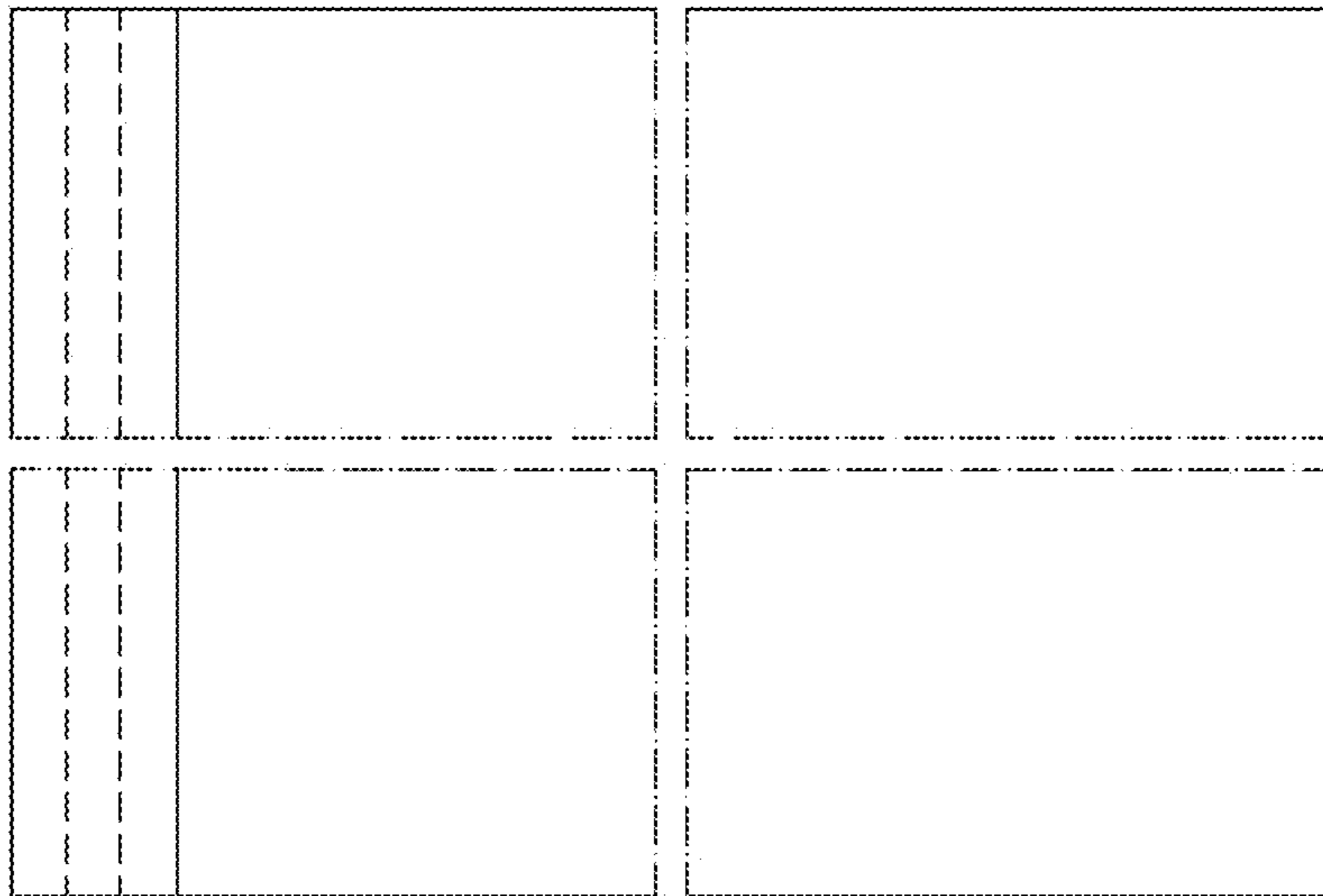


FIG. 14



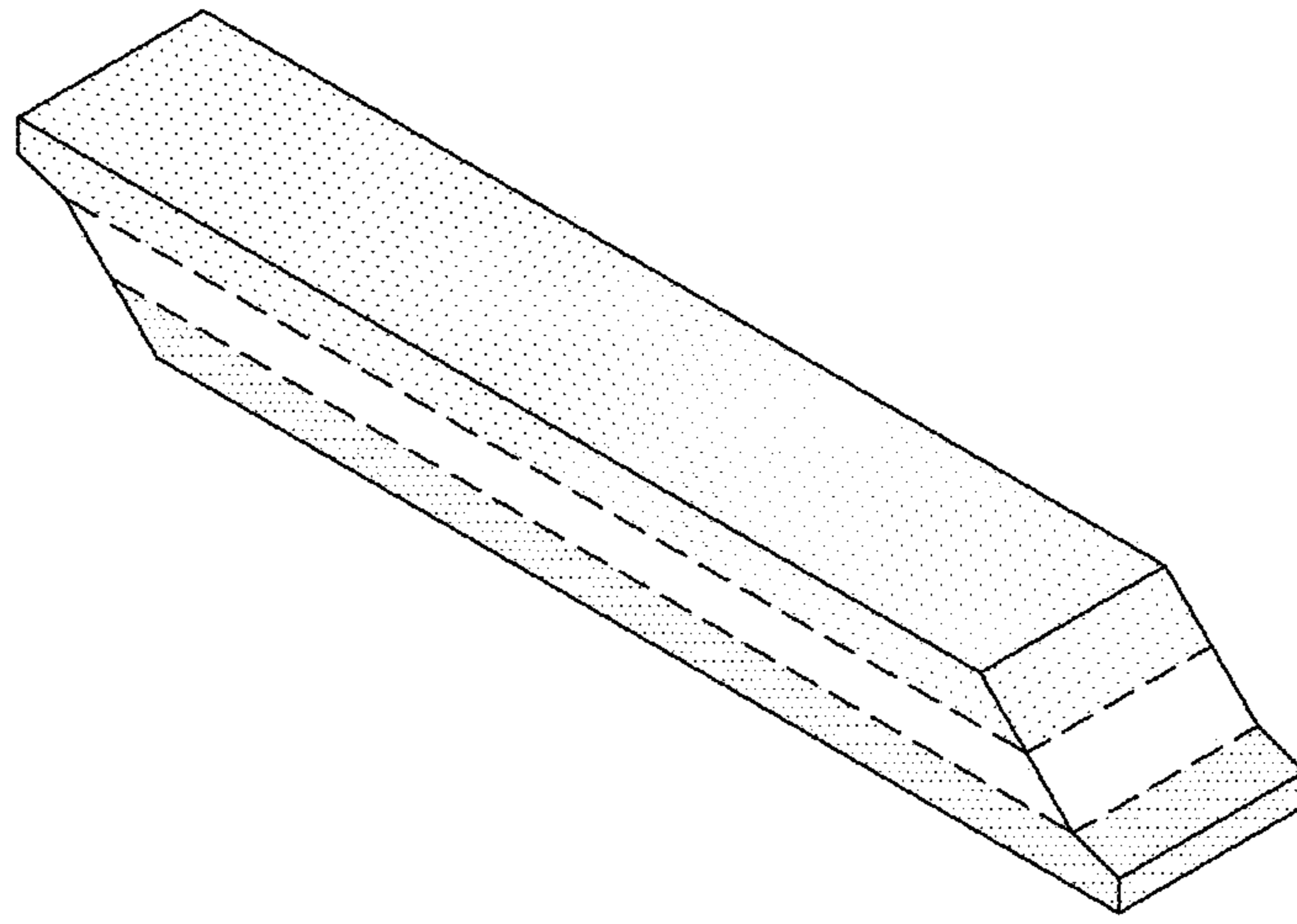


FIG. 15

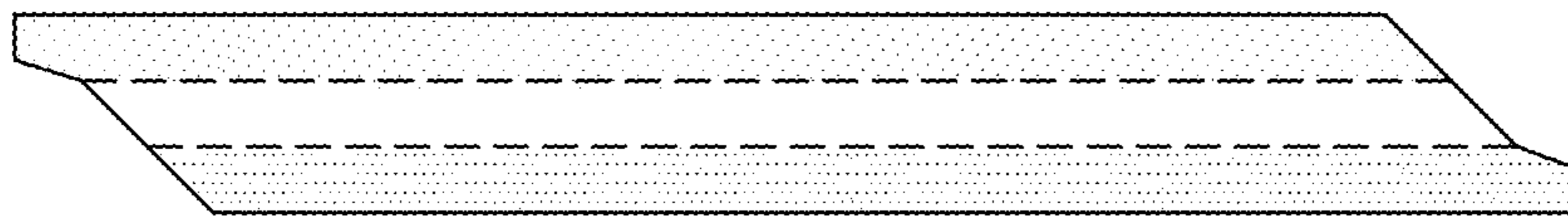


FIG. 16

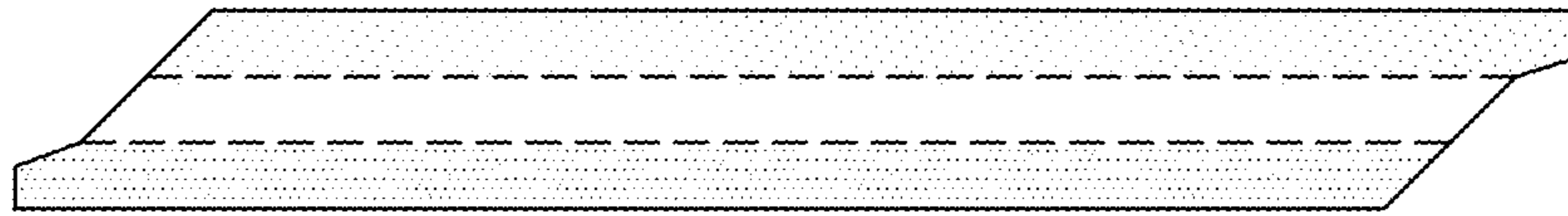


FIG. 17

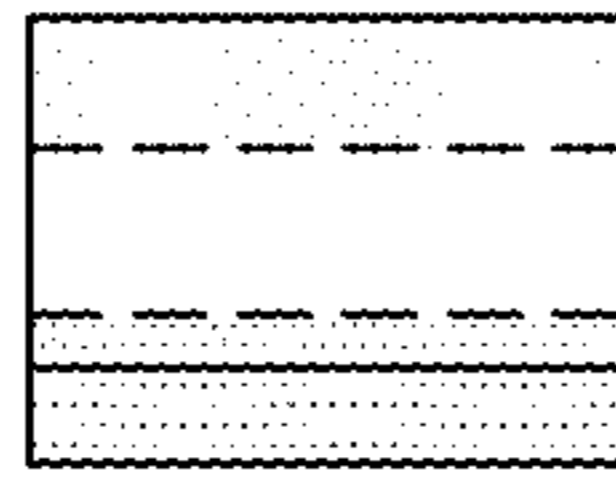


FIG. 18

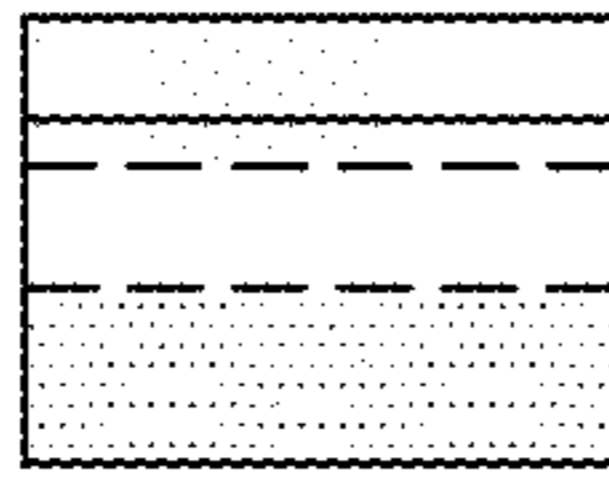


FIG. 19

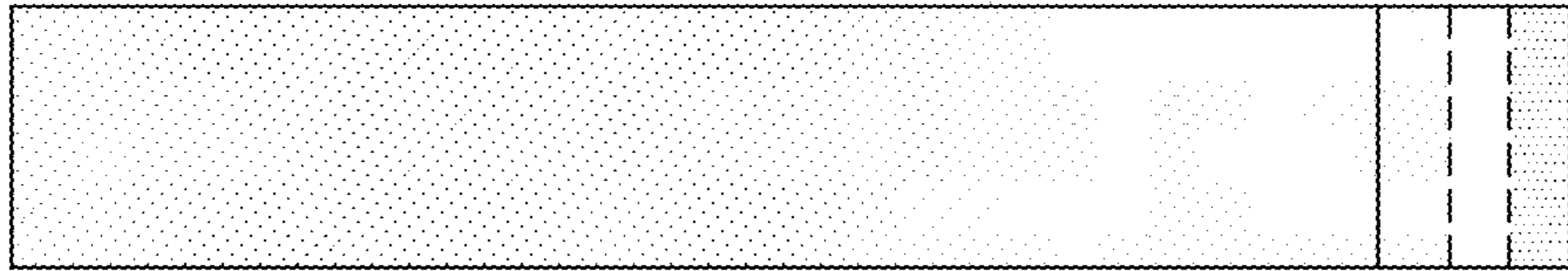


FIG. 20

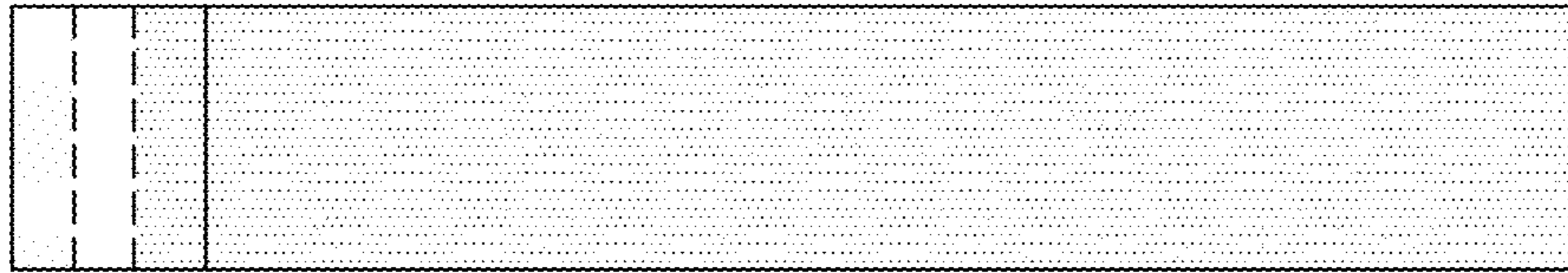


FIG. 21

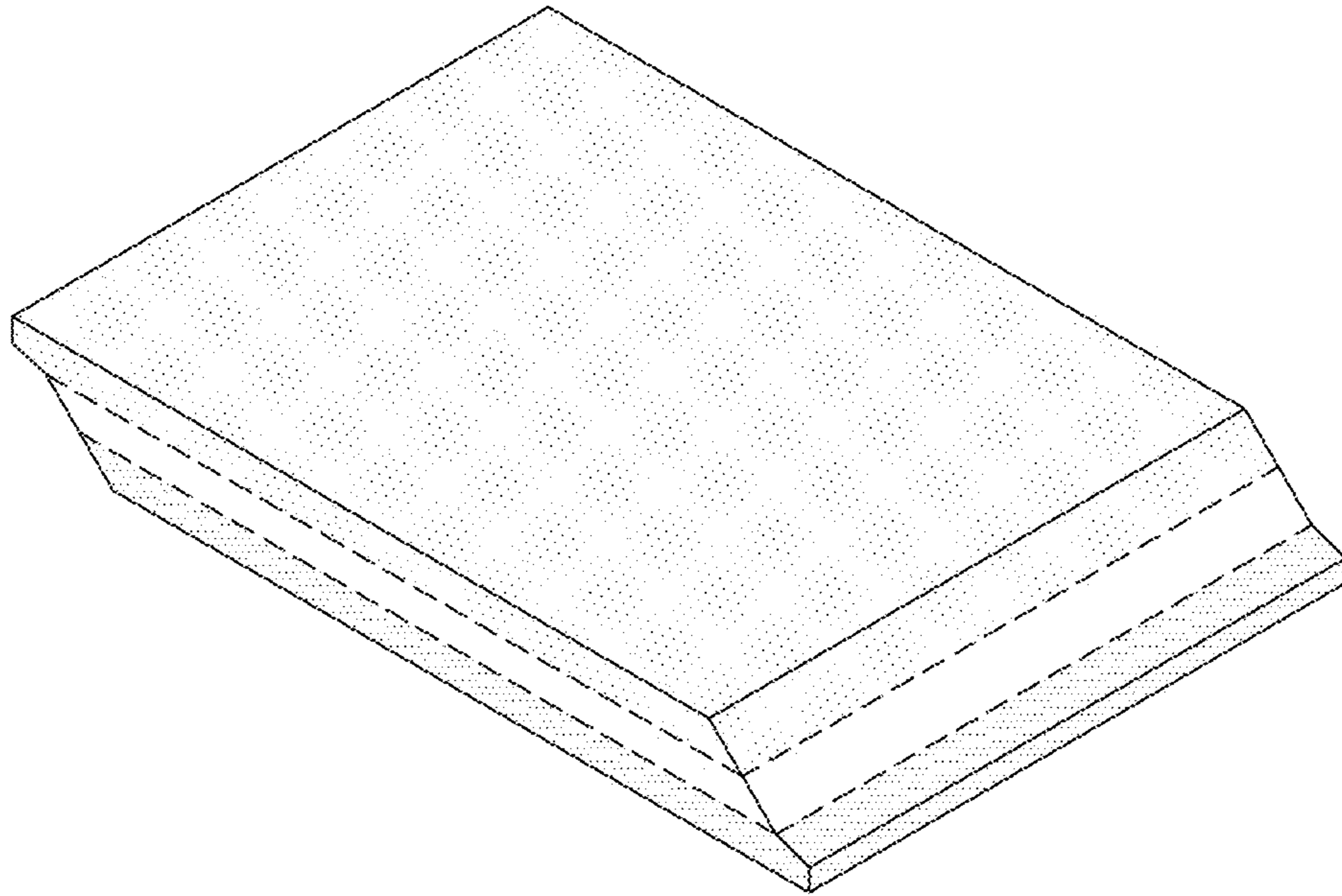


FIG. 22



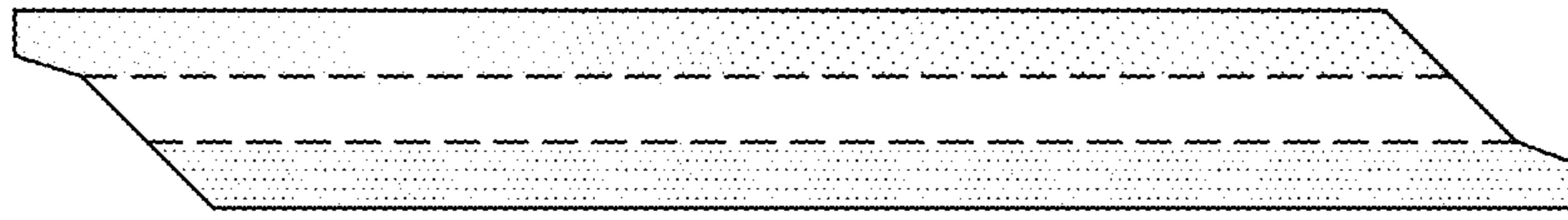


FIG. 23

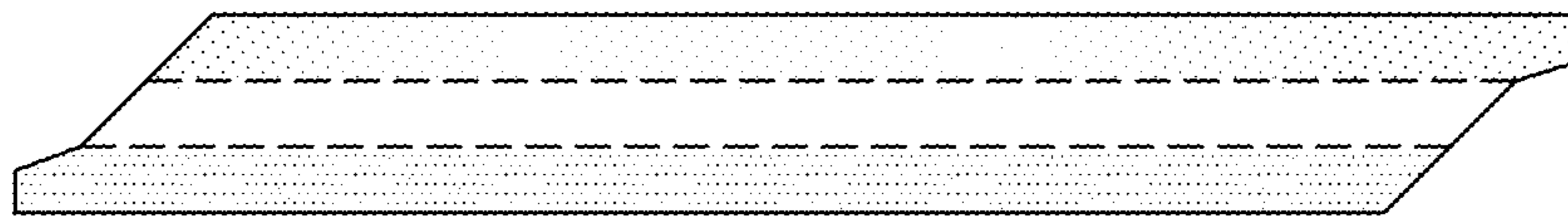


FIG. 24

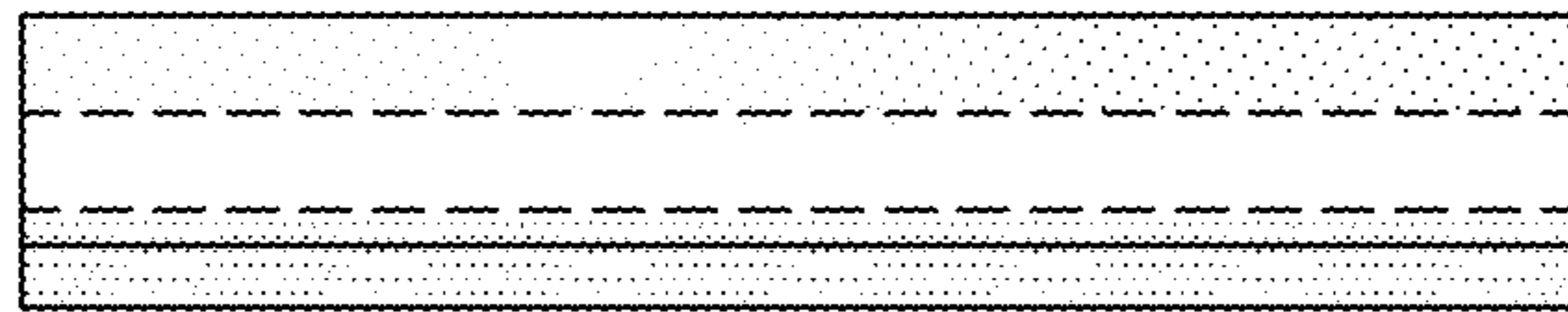


FIG. 25

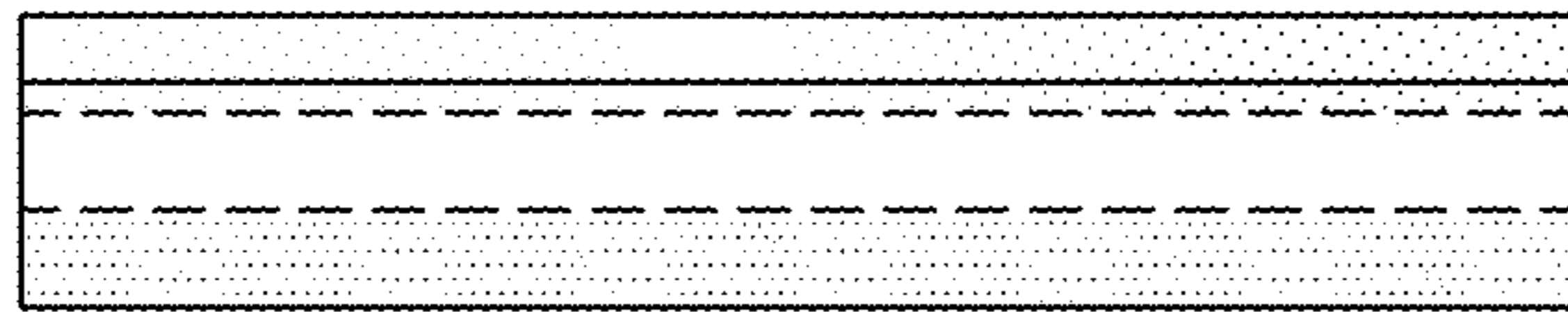


FIG. 26

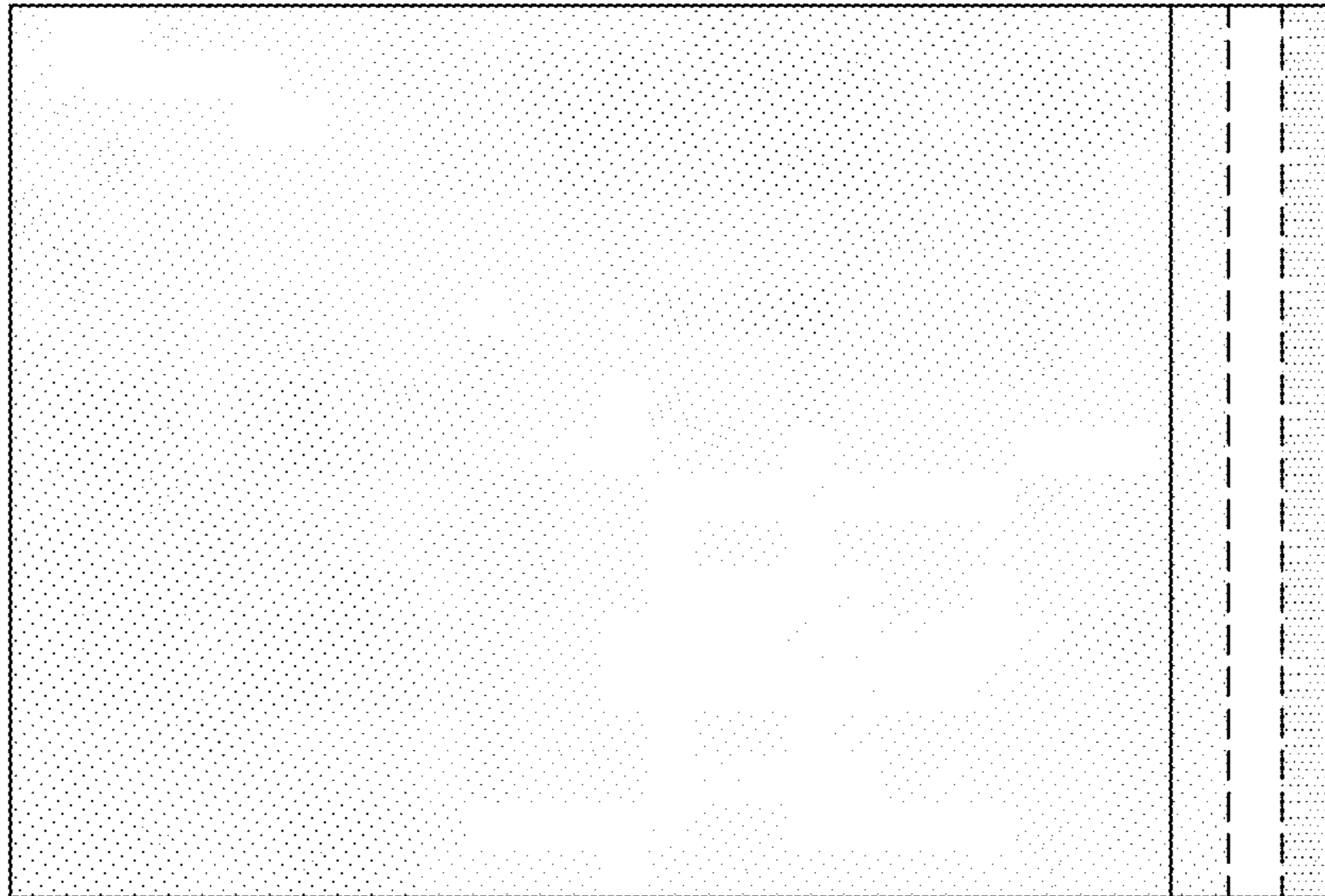


FIG. 27

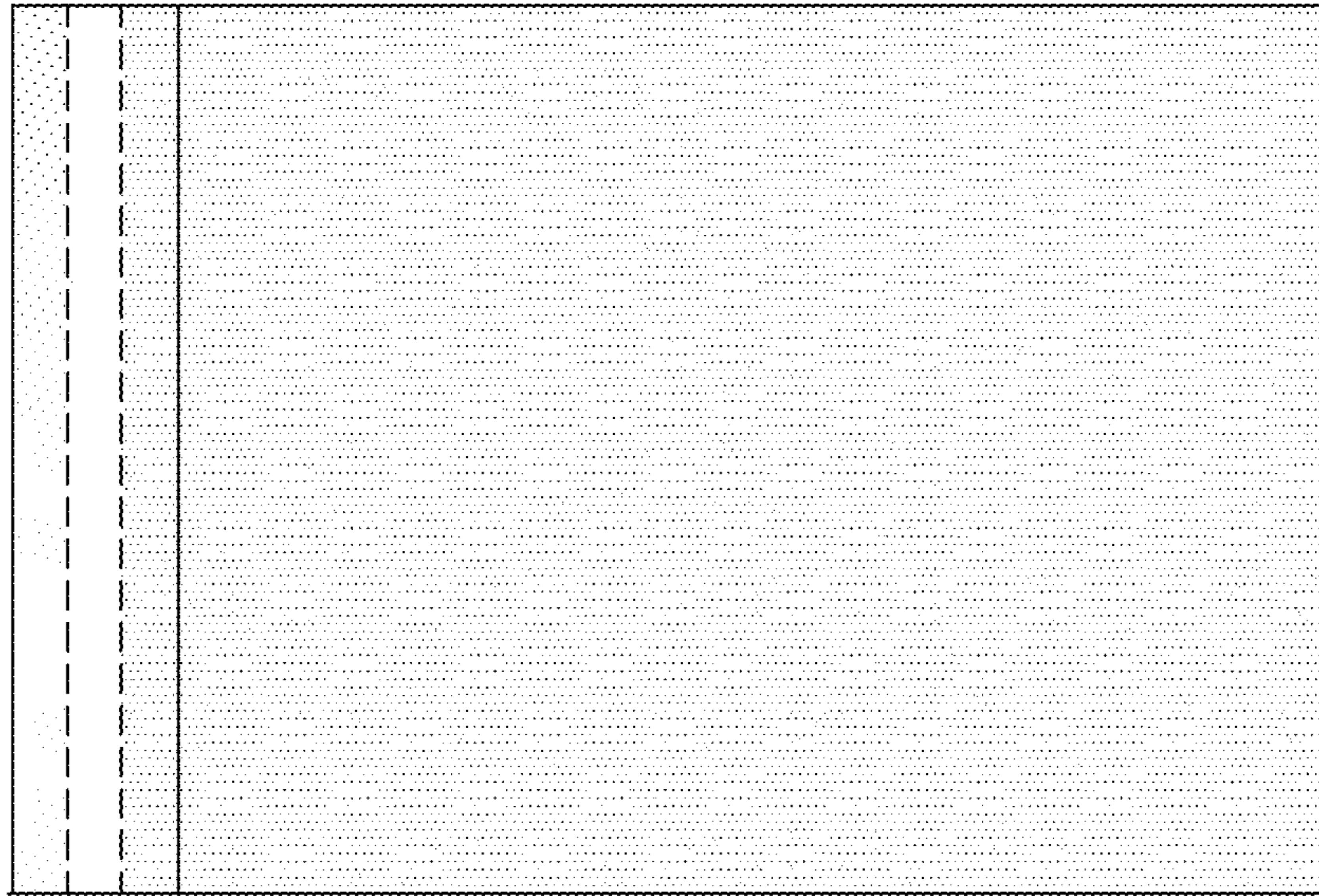


FIG. 28

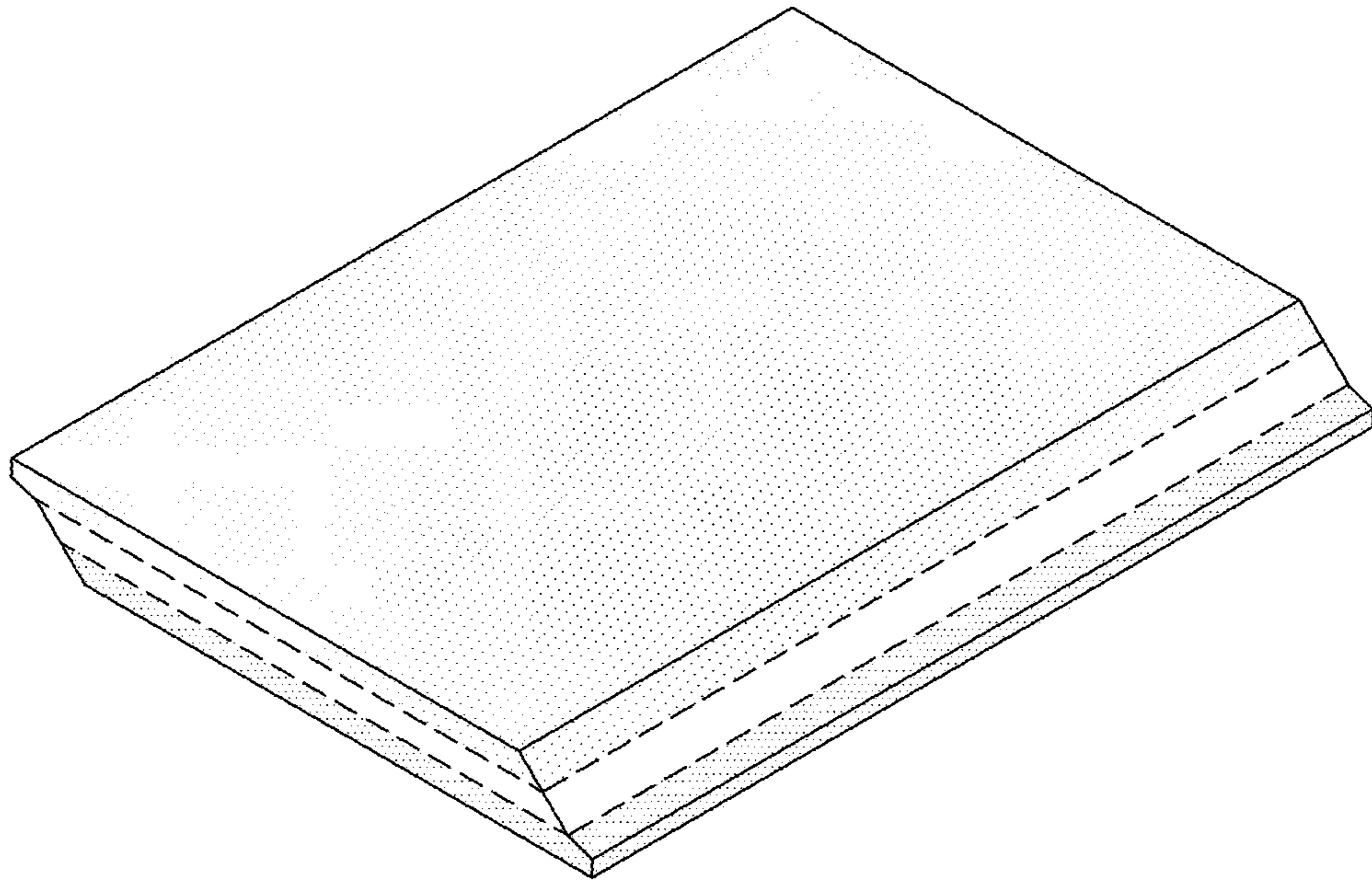


FIG. 29

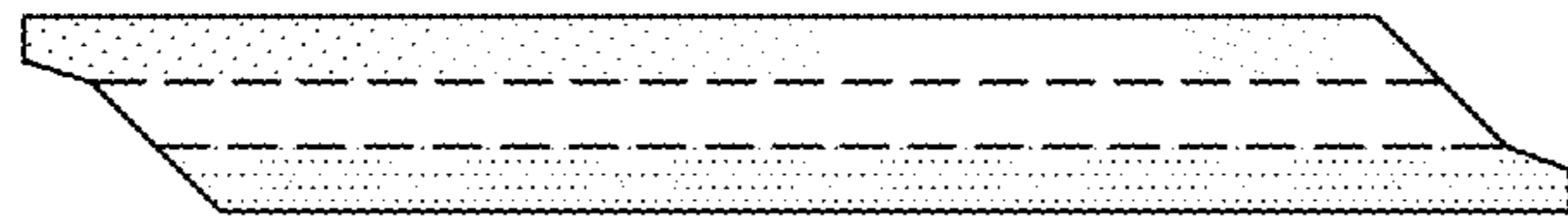


FIG. 30



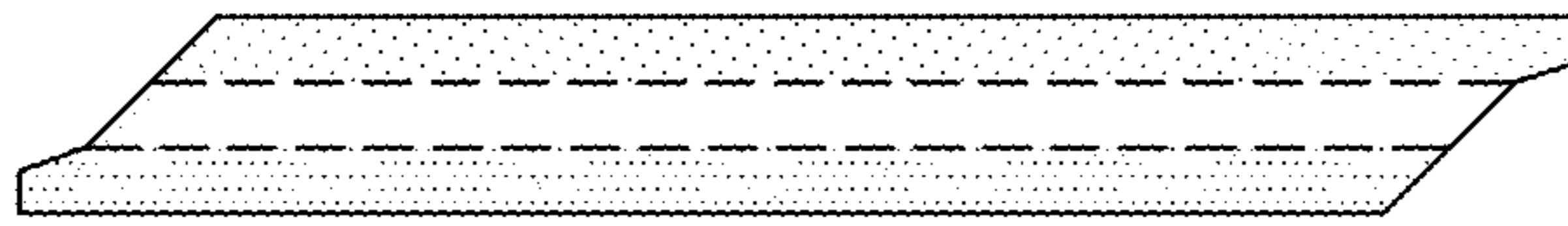


FIG. 31



FIG. 32



FIG. 33

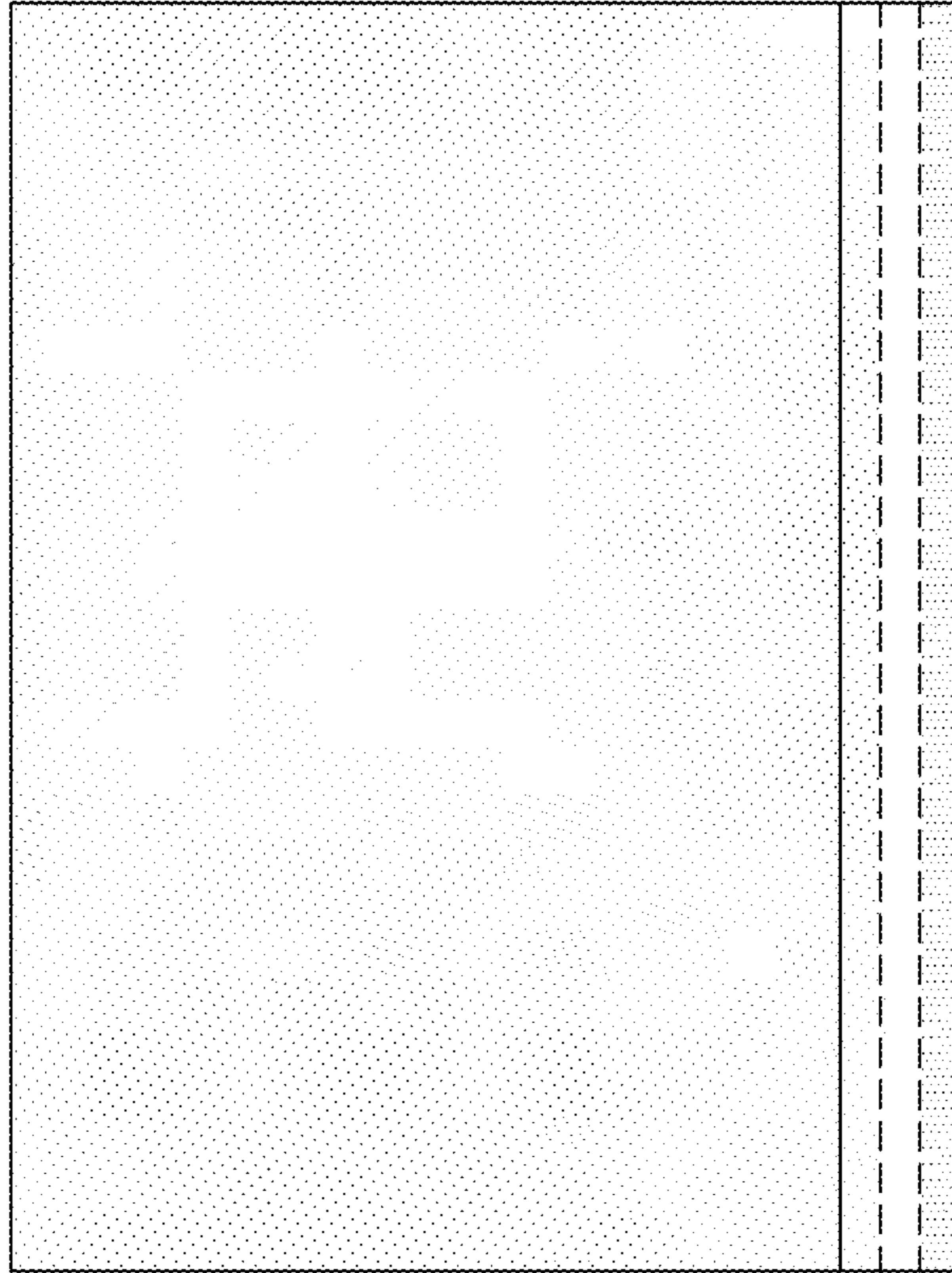


FIG. 34

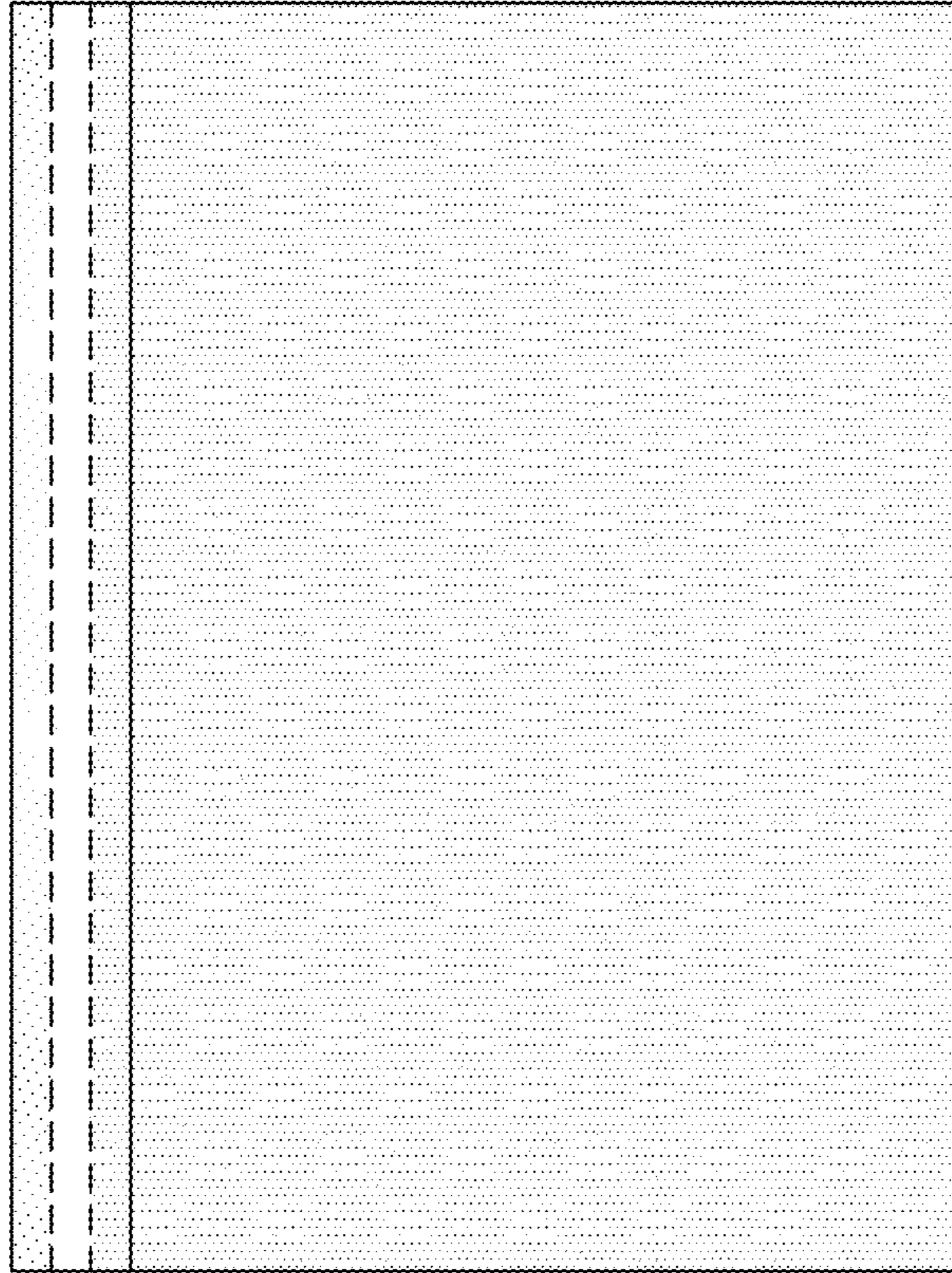


FIG. 35

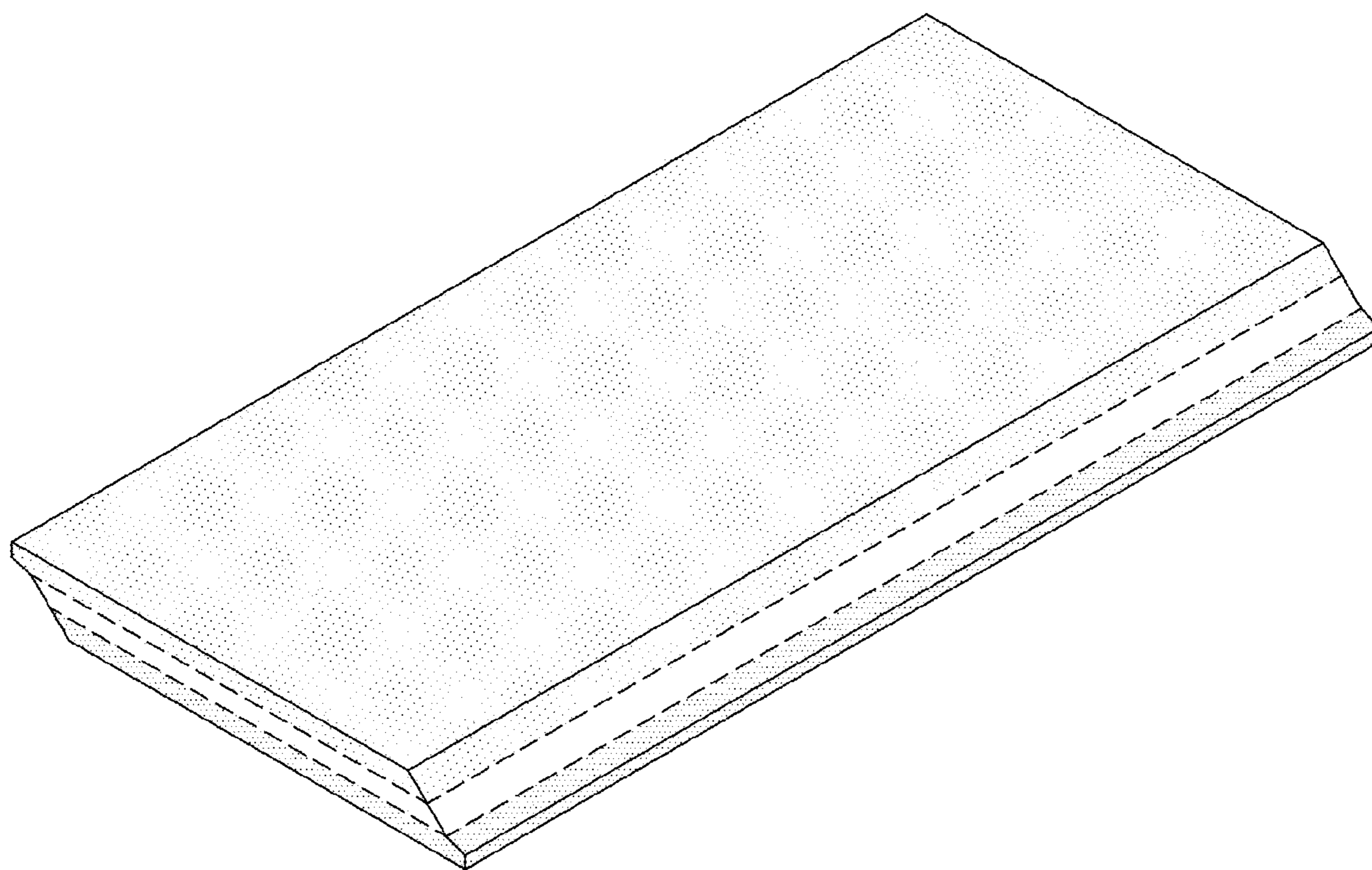


FIG. 36

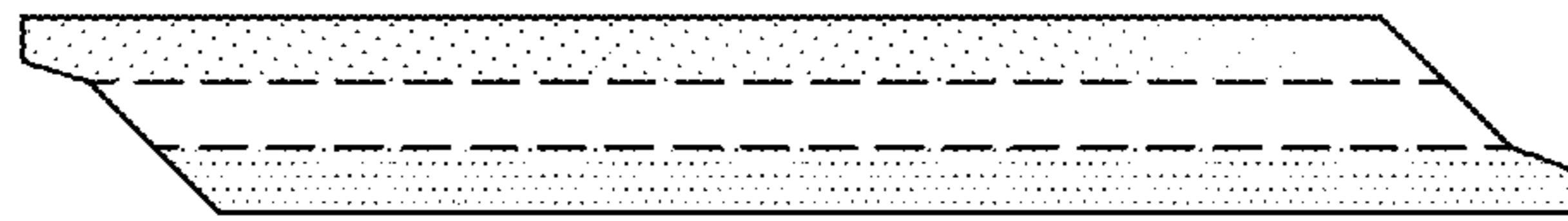


FIG. 37

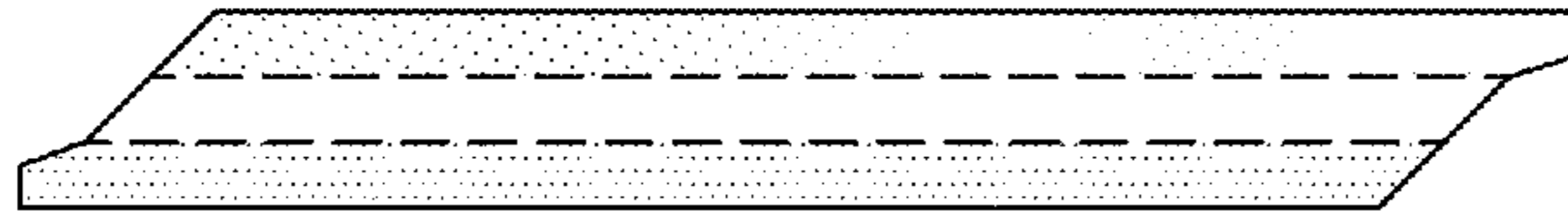


FIG. 38



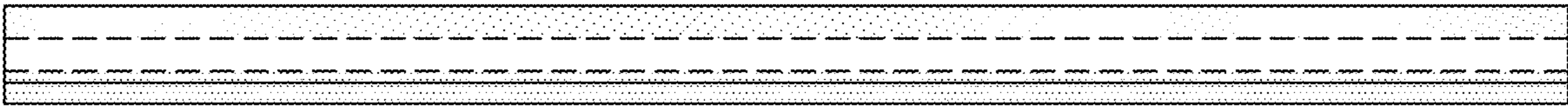


FIG. 39



FIG. 40

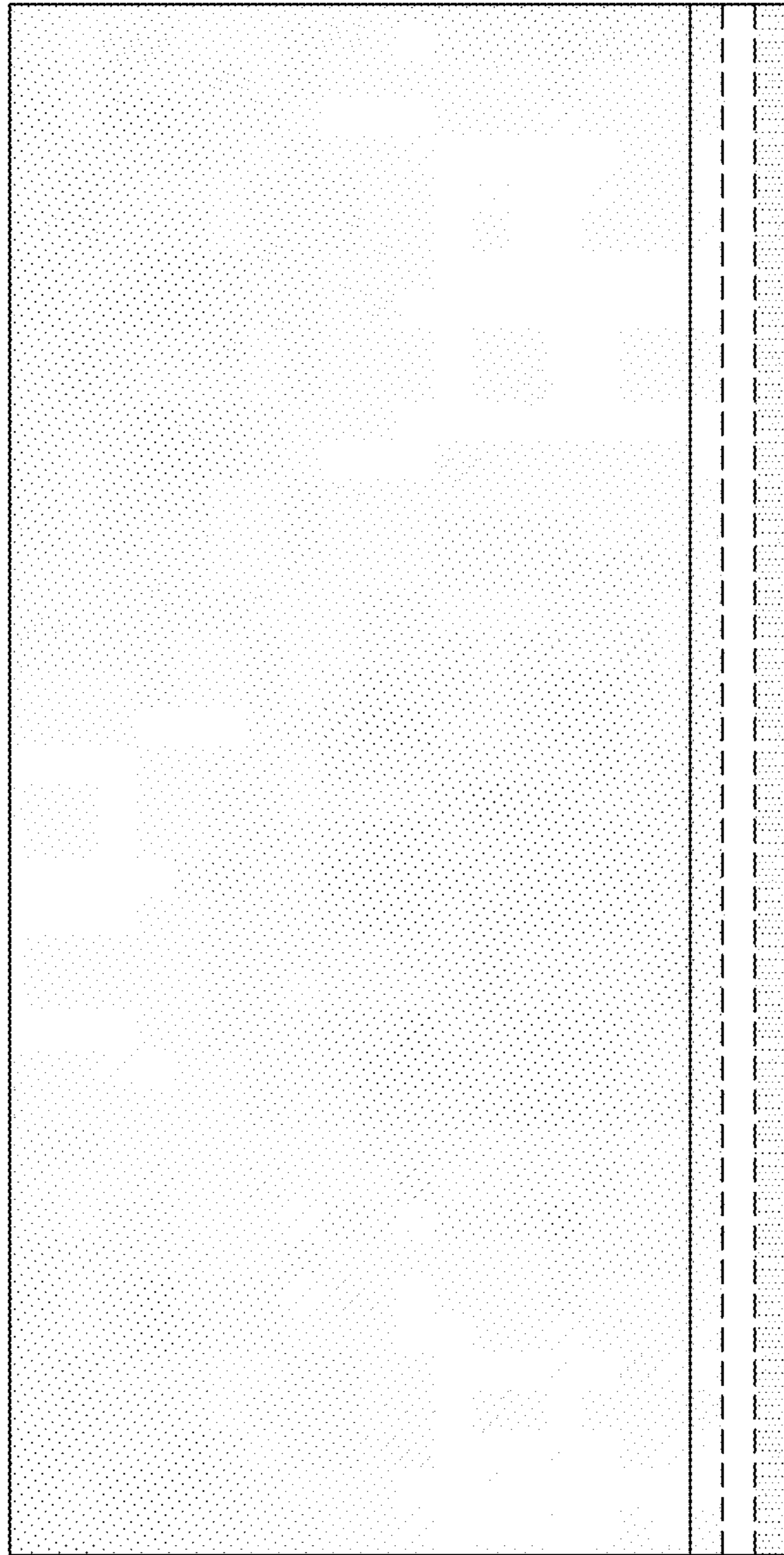


FIG. 41

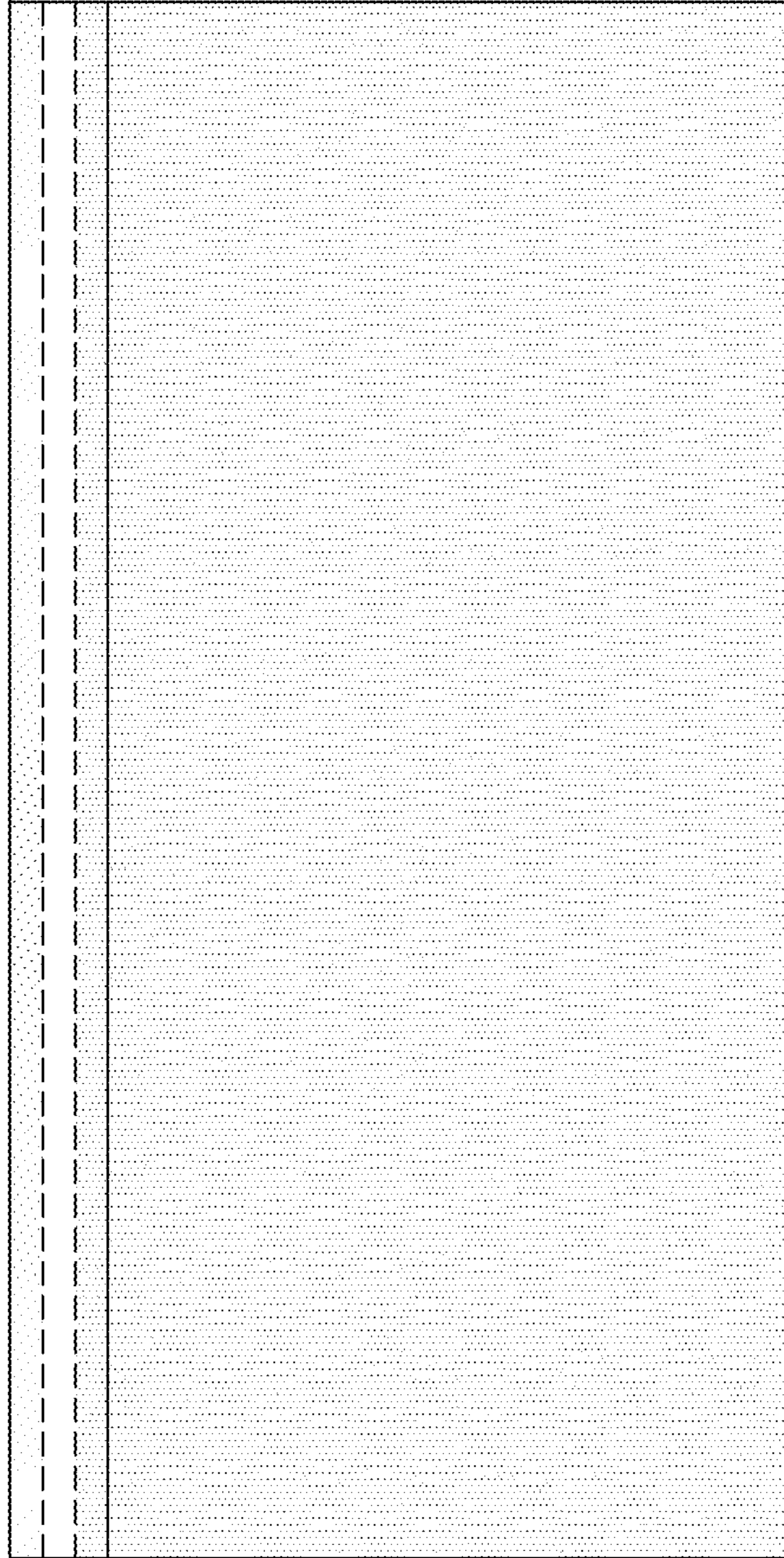


FIG. 42