

US00D891204S

(12) **United States Design Patent** (10) **Patent No.:** **US D891,204 S**
McGrade (45) **Date of Patent:** **** Jul. 28, 2020**

(54) **MOLE TRAP GROUND STAKE**
(71) Applicant: **Michael McGrade**, West Covina, CA (US)
(72) Inventor: **Michael McGrade**, West Covina, CA (US)
(**) Term: **15 Years**

D378,980 S * 4/1997 Thayer D21/840
D415,018 S * 10/1999 Uhler D21/840
D491,029 S * 6/2004 Atkins D8/1
D493,205 S * 7/2004 Combes D21/840
D553,919 S * 10/2007 Gross D8/1
D679,457 S * 4/2013 Chance D30/154
D731,867 S * 6/2015 Paternostro D8/1
D824,227 S * 7/2018 Stender D8/1
D834,240 S * 11/2018 Mullen D26/138
D843,201 S * 3/2019 Morey D8/391

* cited by examiner

(21) Appl. No.: **29/667,418**
(22) Filed: **Oct. 22, 2018**

Primary Examiner — Sheryl Lane
(74) *Attorney, Agent, or Firm* — Mark S Hubert

Related U.S. Application Data

(63) Continuation-in-part of application No. 29/582,070, filed on Oct. 25, 2016, now abandoned.
(51) **LOC (12) Cl.** **08-01**
(52) **U.S. Cl.**
USPC **D8/1**
(58) **Field of Classification Search**
USPC D8/1, 391; D25/122, 132, 131;
D26/138; D21/840
CPC A01G 17/14; A01G 17/06; A01G 13/0225;
E04H 17/12
See application file for complete search history.

(57) **CLAIM**

I claim the ornamental design for a mole trap ground stake, as shown and described.

DESCRIPTION

FIG. 1 is a top perspective view of the mole trap ground stake showing my new design;
FIG. 2 is a top view of the mole trap ground stake;
FIG. 3 is a bottom view of the mole trap ground stake;
FIG. 4 is a front view of the mole trap ground stake;
FIG. 5 is a left-side view of the mole trap ground stake; and,
FIG. 6 is a right-side view of the mole trap ground stake. The back view of the mole trap ground stake is identical to the front view.
The broken lines represent portions of the moletrap ground stake and form no part of the claimed design.

(56) **References Cited**

U.S. PATENT DOCUMENTS

D282,104 S * 1/1986 Taylor D25/131
D325,678 S * 4/1992 Niles D7/619.1
5,301,461 A * 4/1994 Zwier A01G 9/28
47/33
D365,169 S * 12/1995 Fillipp D21/718

1 Claim, 6 Drawing Sheets

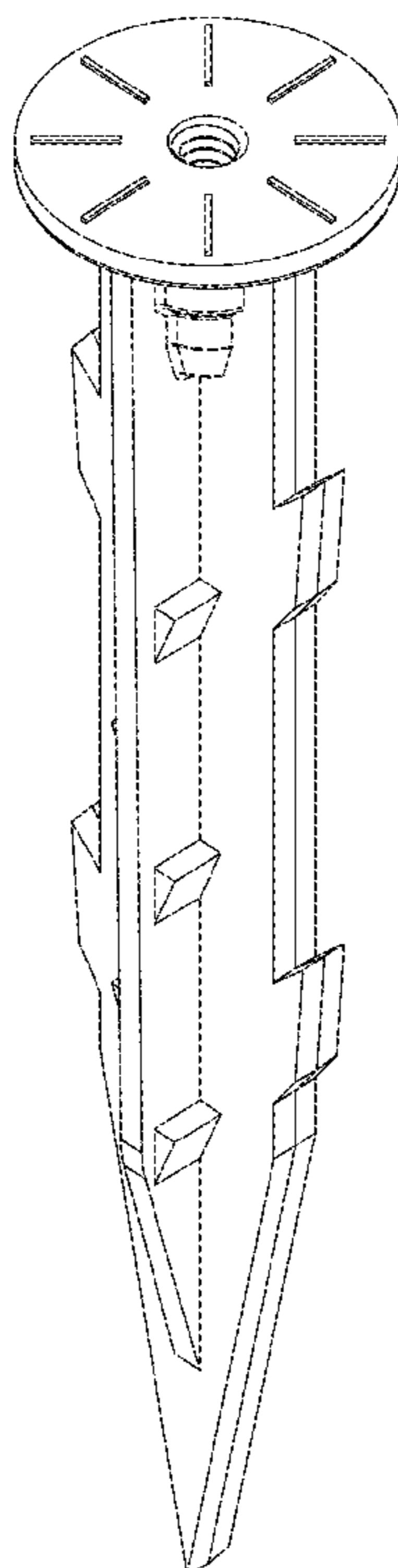


Figure 1

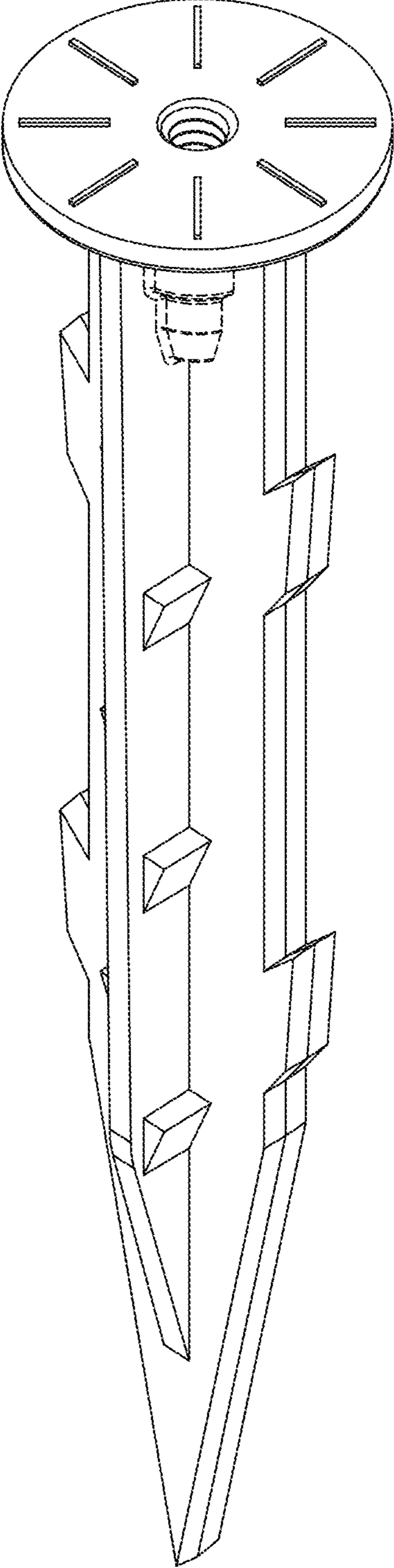


Figure 2

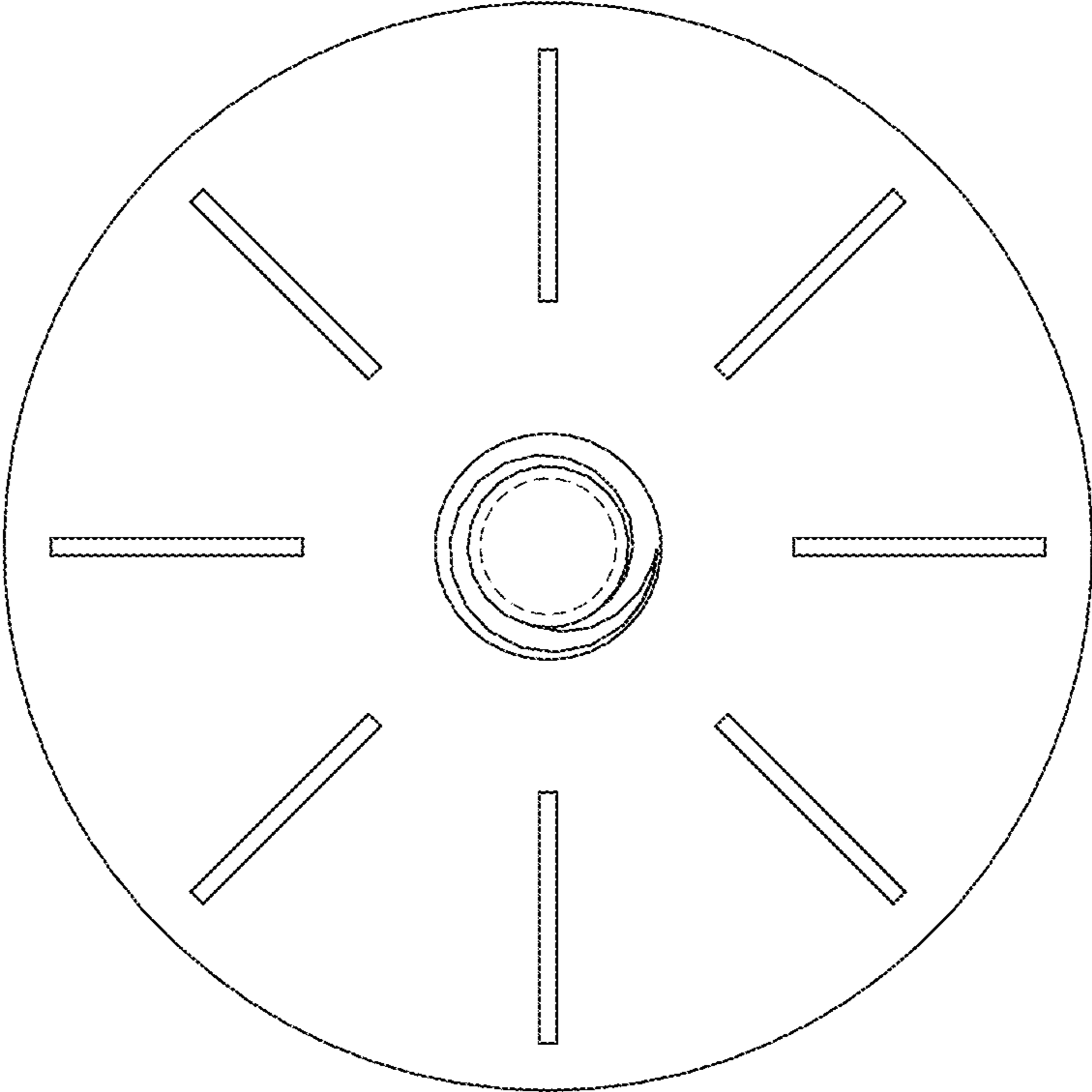
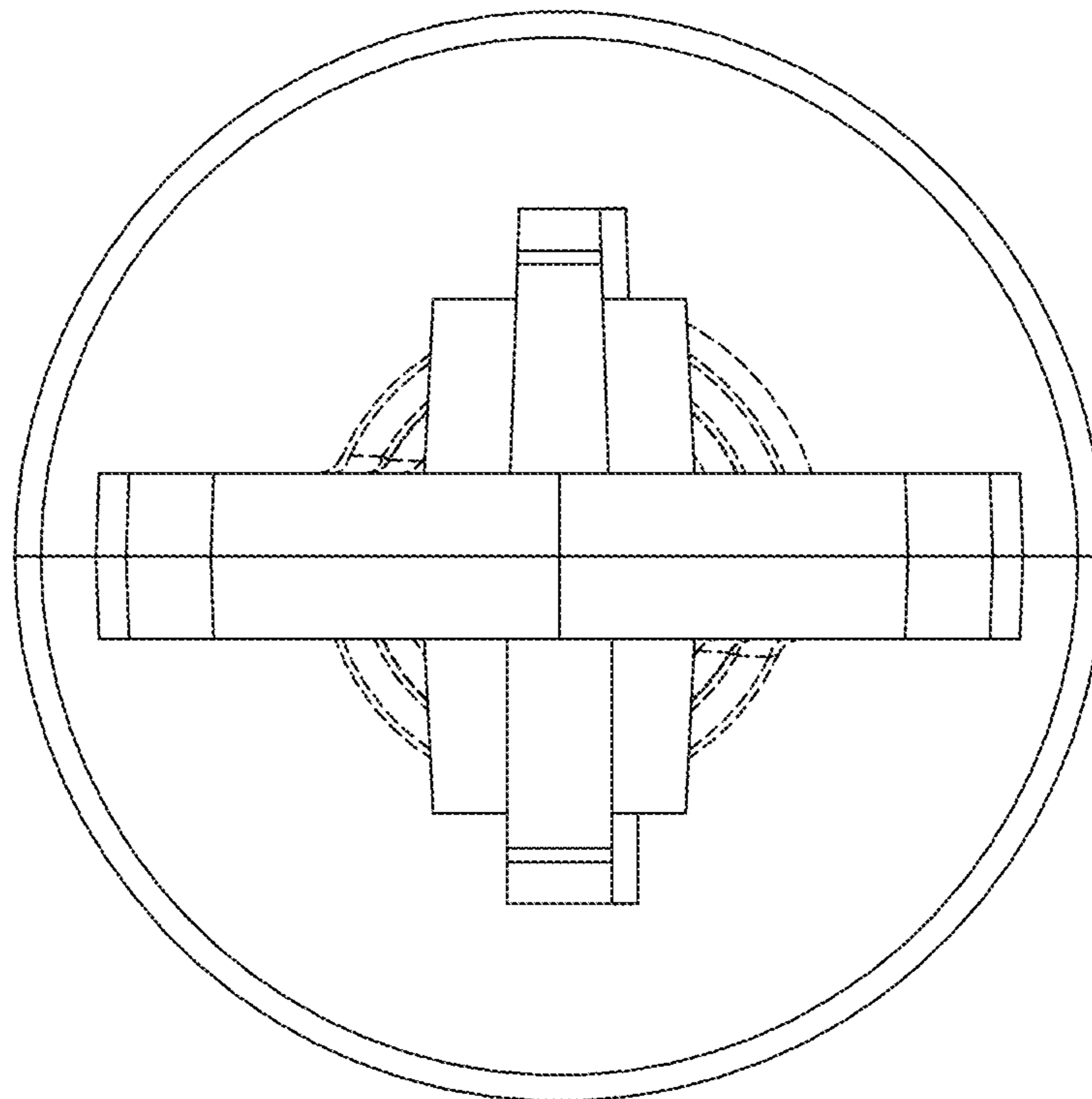


Figure 3



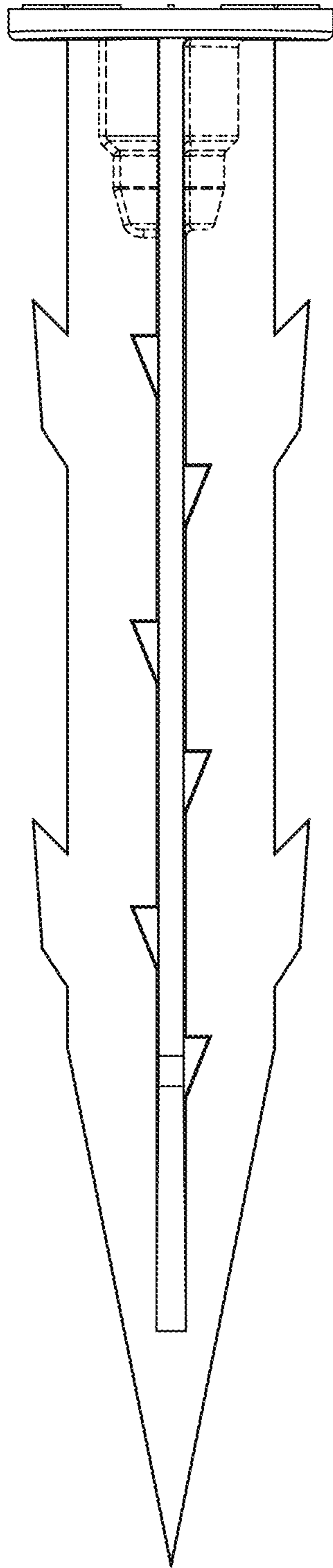


Figure 4

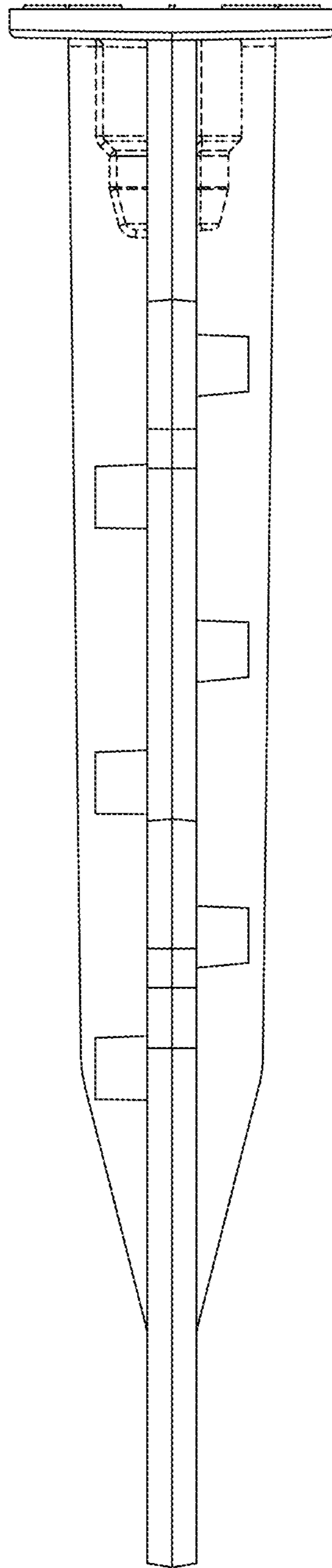


Figure 5

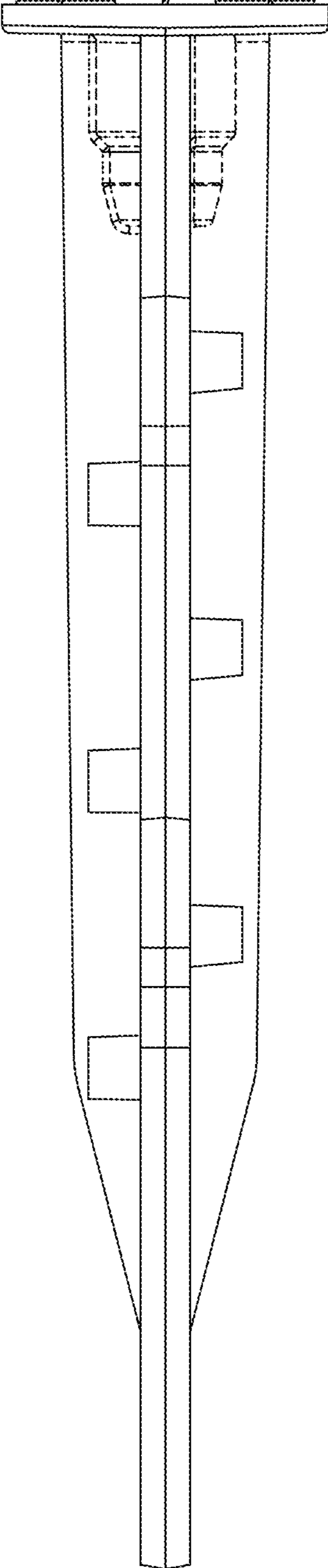


Figure 6