



US00D891203S

(12) **United States Design Patent** (10) **Patent No.:** **US D891,203 S**
Hakanson (45) **Date of Patent:** **** Jul. 28, 2020**

(54) **PLANT PROTECTOR**
(71) Applicant: **Jon L. Hakanson**, North Providence, RI (US)
(72) Inventor: **Jon L. Hakanson**, North Providence, RI (US)
(73) Assignee: **GNAT SHIELD LLC**, Warwick, RI (US)
(**) Term: **15 Years**
(21) Appl. No.: **29/656,465**
(22) Filed: **Jul. 12, 2018**
(51) **LOC (12) Cl.** **08-01**
(52) **U.S. Cl.**
USPC **D8/1**
(58) **Field of Classification Search**
USPC D8/1; D11/152; D25/133
CPC . A47G 7/085; A01G 13/0281; A01G 13/0286
See application file for complete search history.

6,451,405 B1 * 9/2002 Diemer F16N 31/006
184/106
D621,965 S * 8/2010 Ringus D25/133
D646,129 S * 10/2011 Hoff D8/1
D727,694 S * 4/2015 Johnson, Sr. D8/1
D751,355 S * 3/2016 Vizachero D8/1
D825,290 S * 8/2018 Lortscher D8/1
D850,975 S * 6/2019 Gallo D11/152
2005/0039389 A1 * 2/2005 Partikian A01G 13/0281
47/30
2005/0150157 A1 * 7/2005 Molino A01D 46/26
47/1.01 R
2019/0104691 A1 * 4/2019 Momcilovich A01G 9/28
2019/0208715 A1 * 7/2019 Carter A01D 75/185

* cited by examiner
Primary Examiner — Sheryl Lane
(74) *Attorney, Agent, or Firm* — Jodi-Ann McLane;
McInnes & McLane, LLP

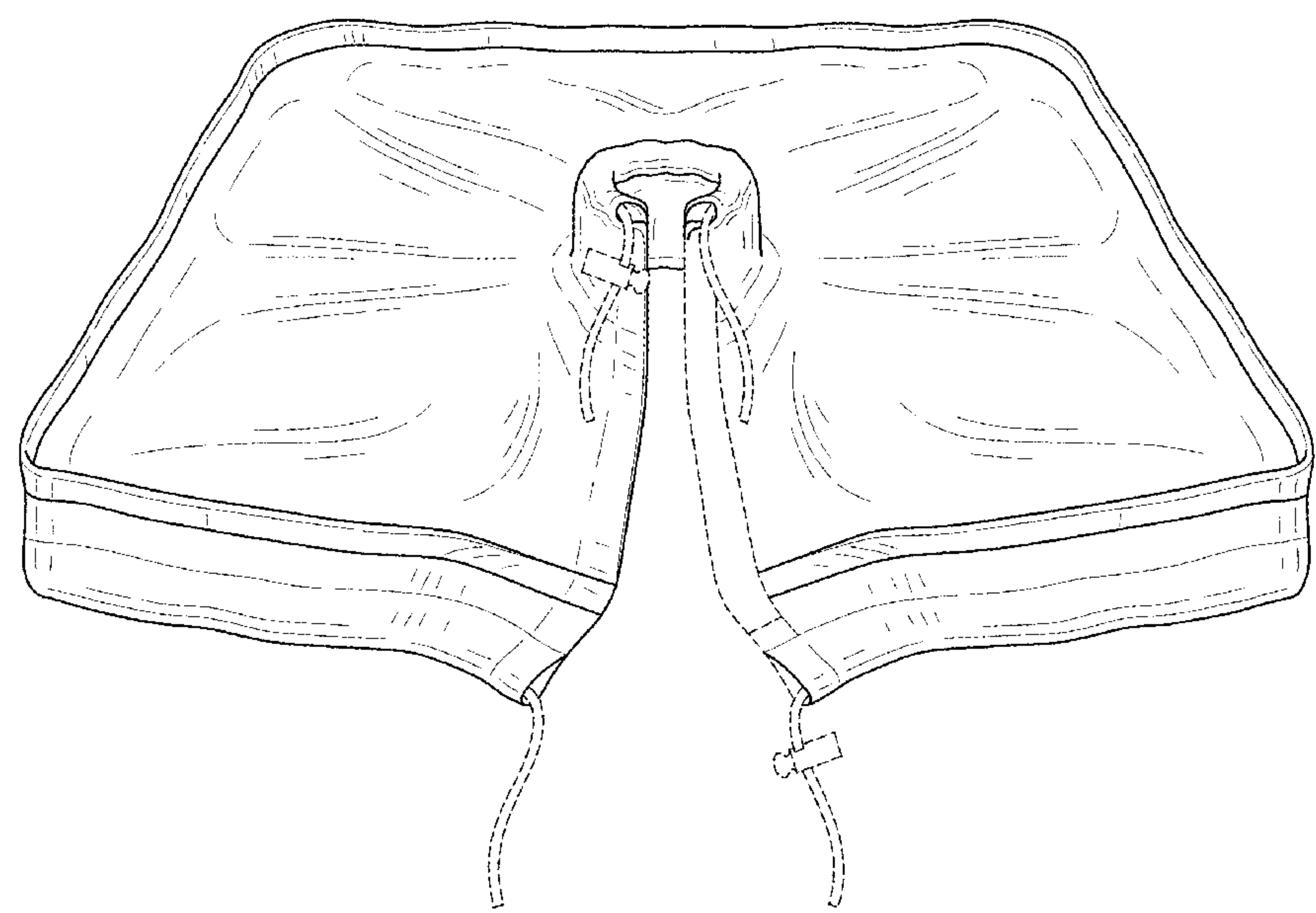
(57) **CLAIM**
The ornamental design for a plant protector, as shown and described.

DESCRIPTION

FIG. 1 is a top perspective view of a plant protector showing my new design;
FIG. 2 is a bottom perspective view thereof;
FIG. 3 is a front elevational view of the plant protector, in a closed position;
FIG. 4 is a left side elevational view thereof, the right side elevational view being a mirror image thereof; and,
FIG. 5 is a rear elevational view thereof.
The broken lines in FIGS. 1 to 5 represent portions of the plant protector that form no part of the claimed design.
The additional broken lines in FIGS. 3 to 5 represent environment and form no part of the claimed design.
The drawings include surface shading that represents contour and not surface ornamentation.

(56) **References Cited**
U.S. PATENT DOCUMENTS
2,949,698 A * 8/1960 Downey A01G 13/0281
47/9
3,305,969 A * 2/1967 Mattson A01G 13/0281
47/32
4,648,203 A * 3/1987 Worzek A01G 13/0281
47/32
D301,536 S * 6/1989 Spear D34/1
5,020,271 A * 6/1991 Walker A01G 13/0281
47/21.1
D408,233 S * 4/1999 Price D8/1
5,918,411 A * 7/1999 Hadrava A01G 13/0281
47/21.1
D419,042 S * 1/2000 Price D8/1
6,090,466 A * 7/2000 Kartisek A01G 13/0287
383/4

1 Claim, 5 Drawing Sheets



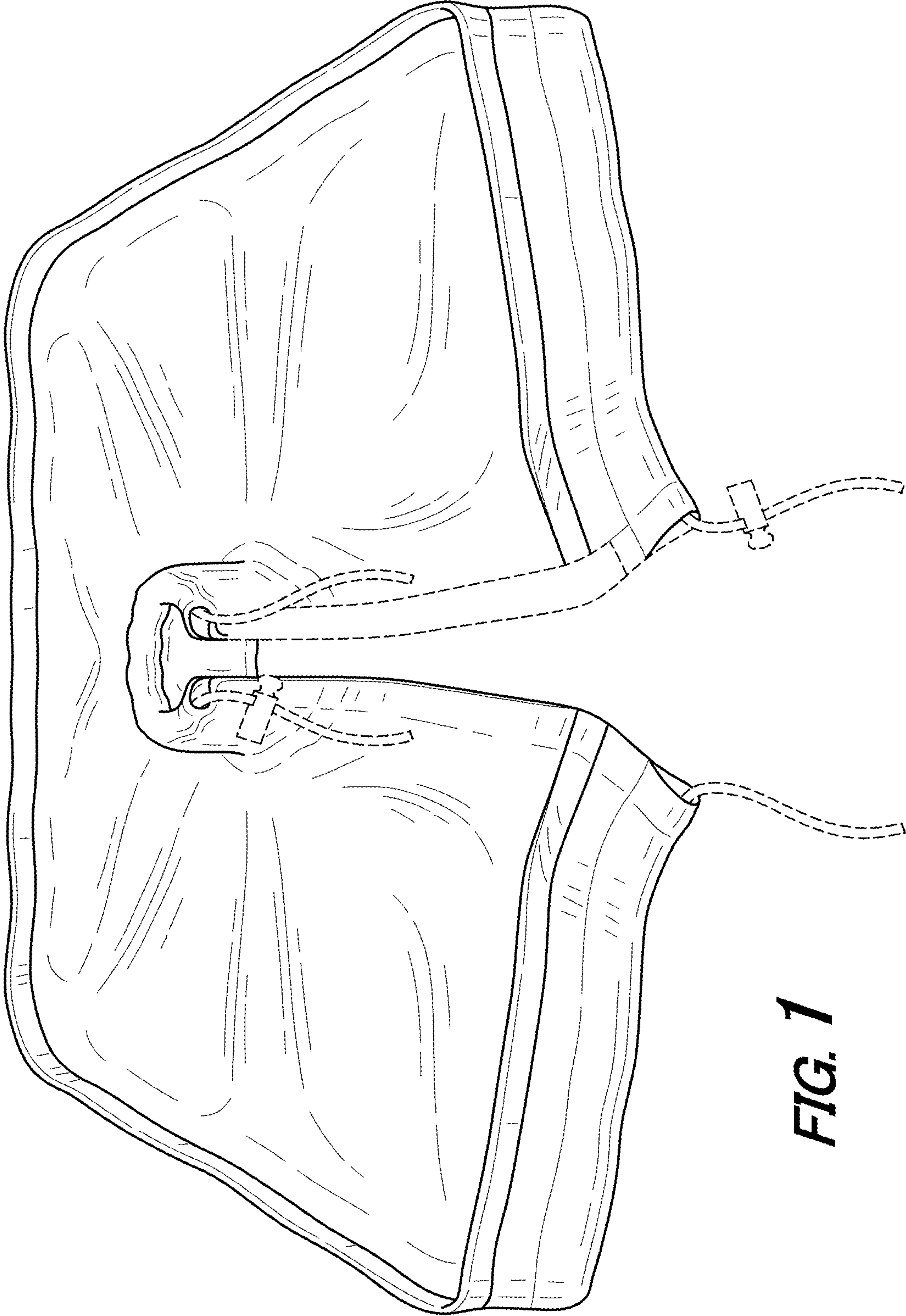


FIG. 1

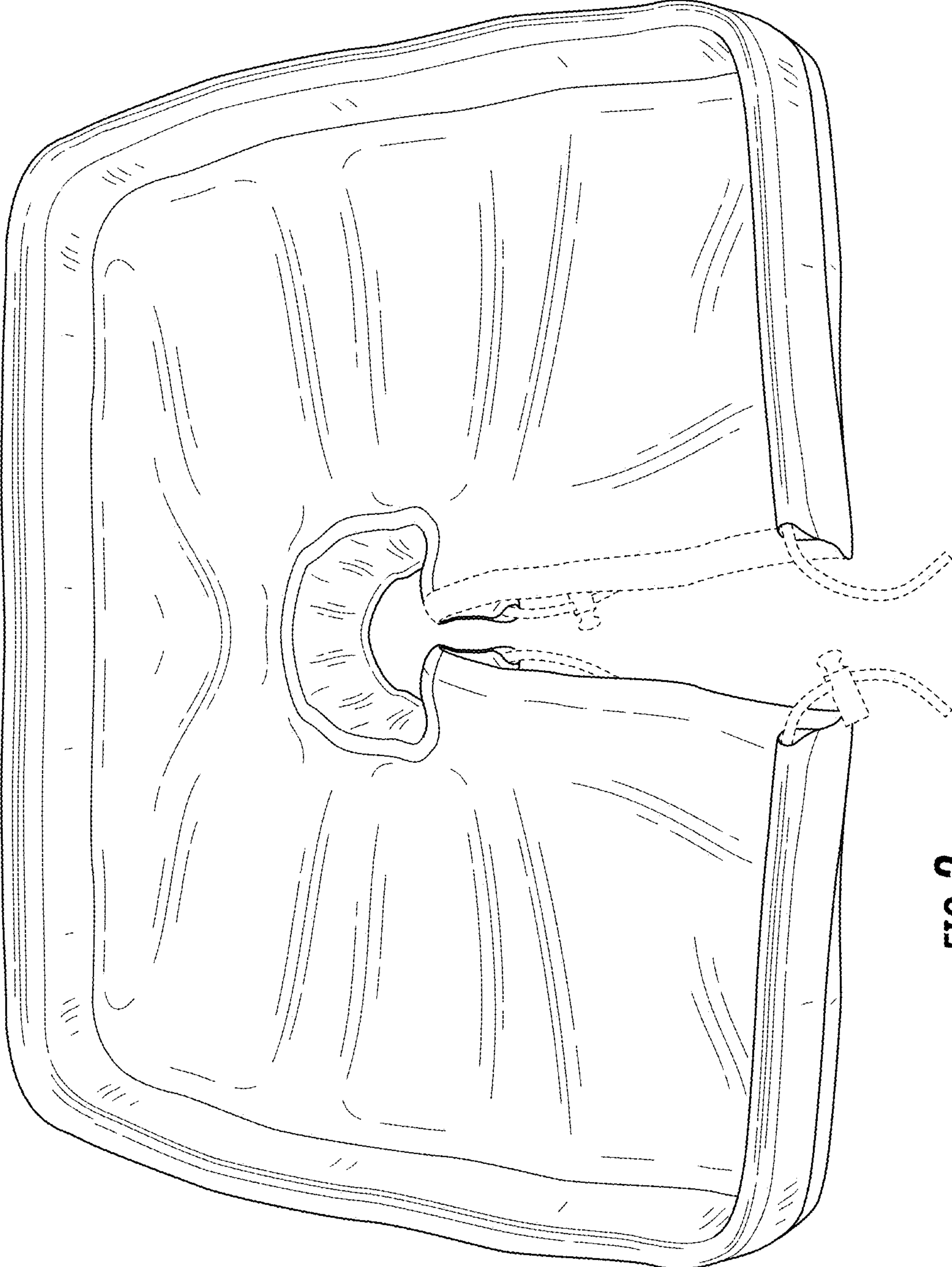


FIG. 2

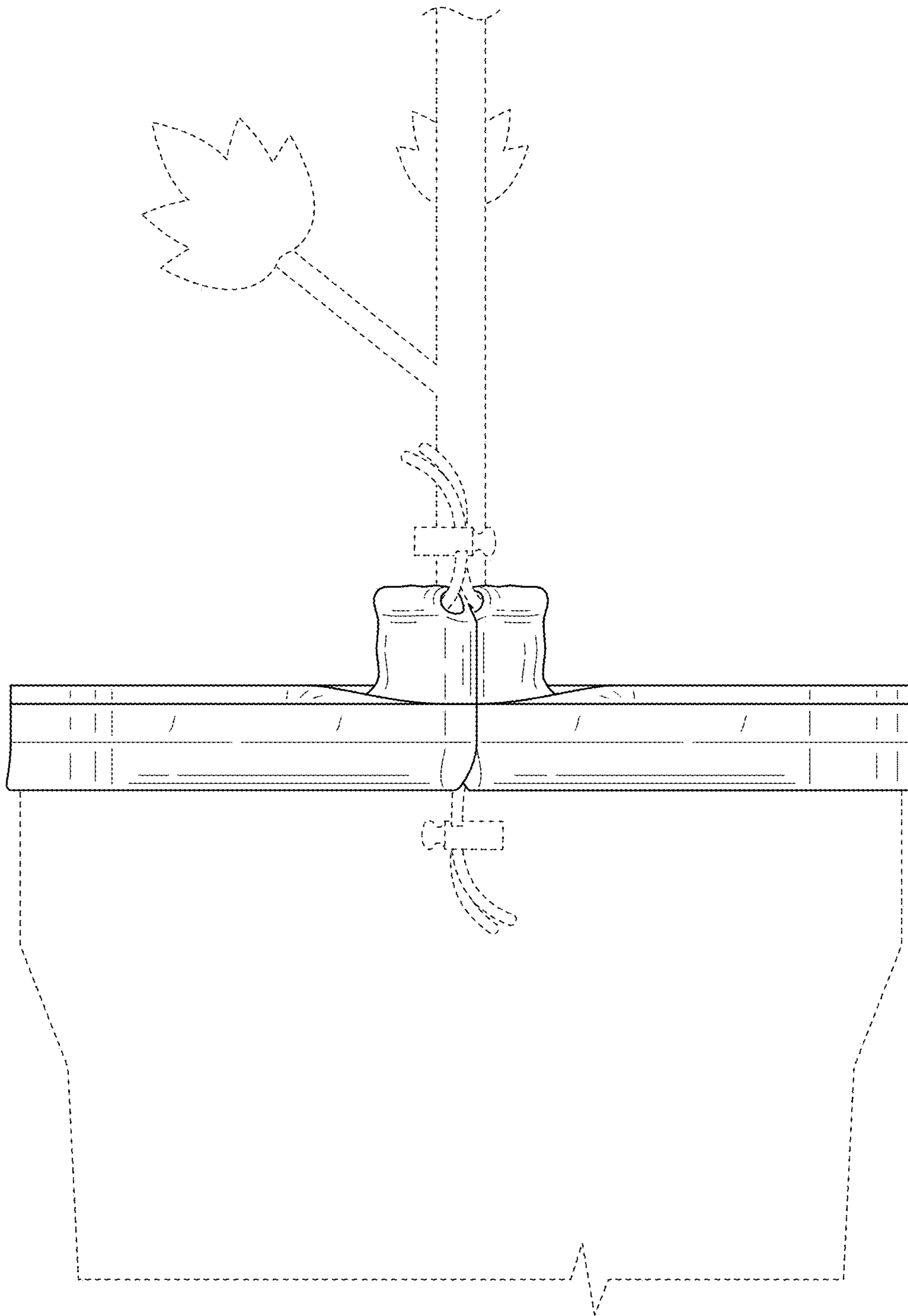


FIG. 3

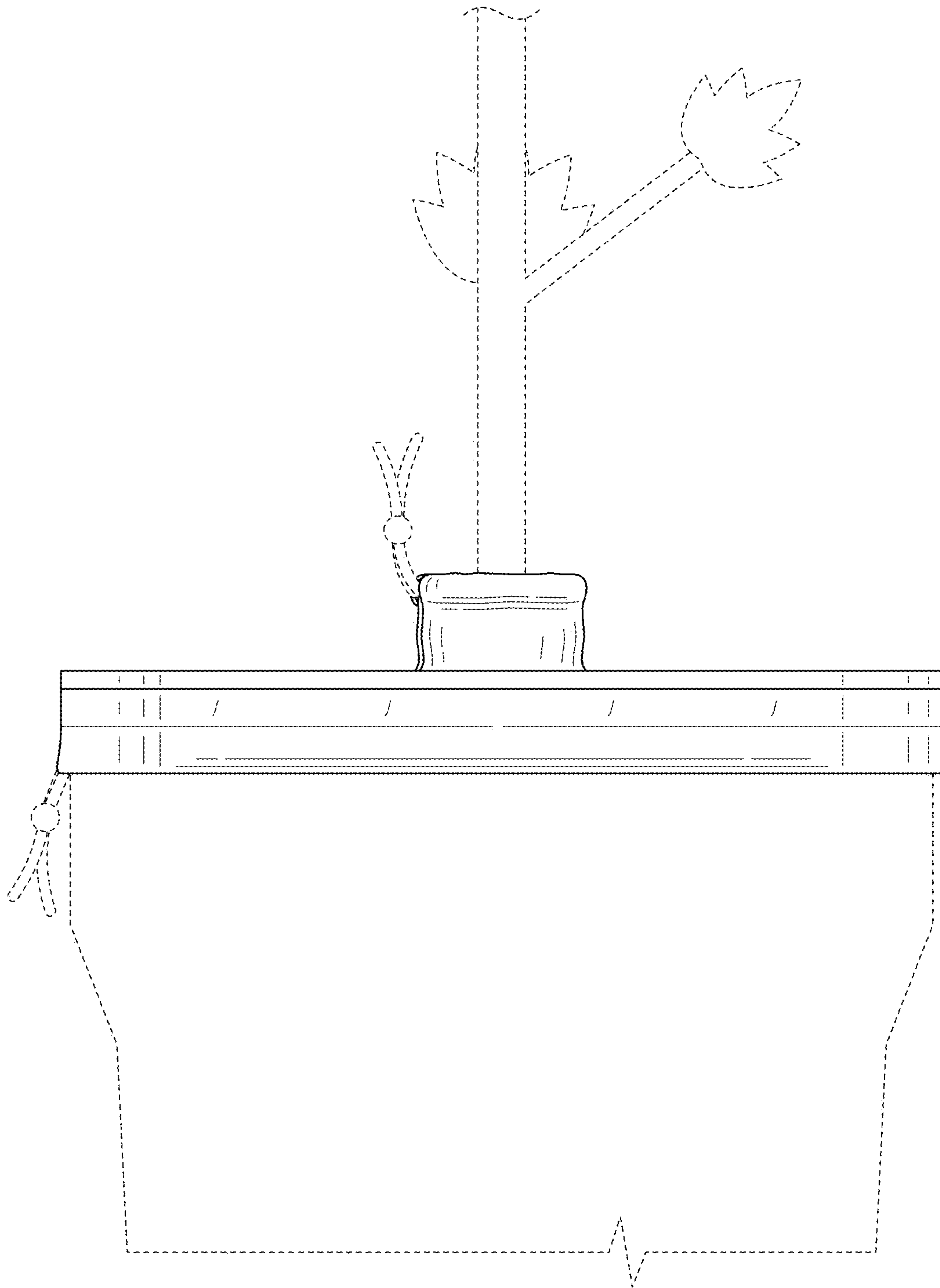


FIG. 4

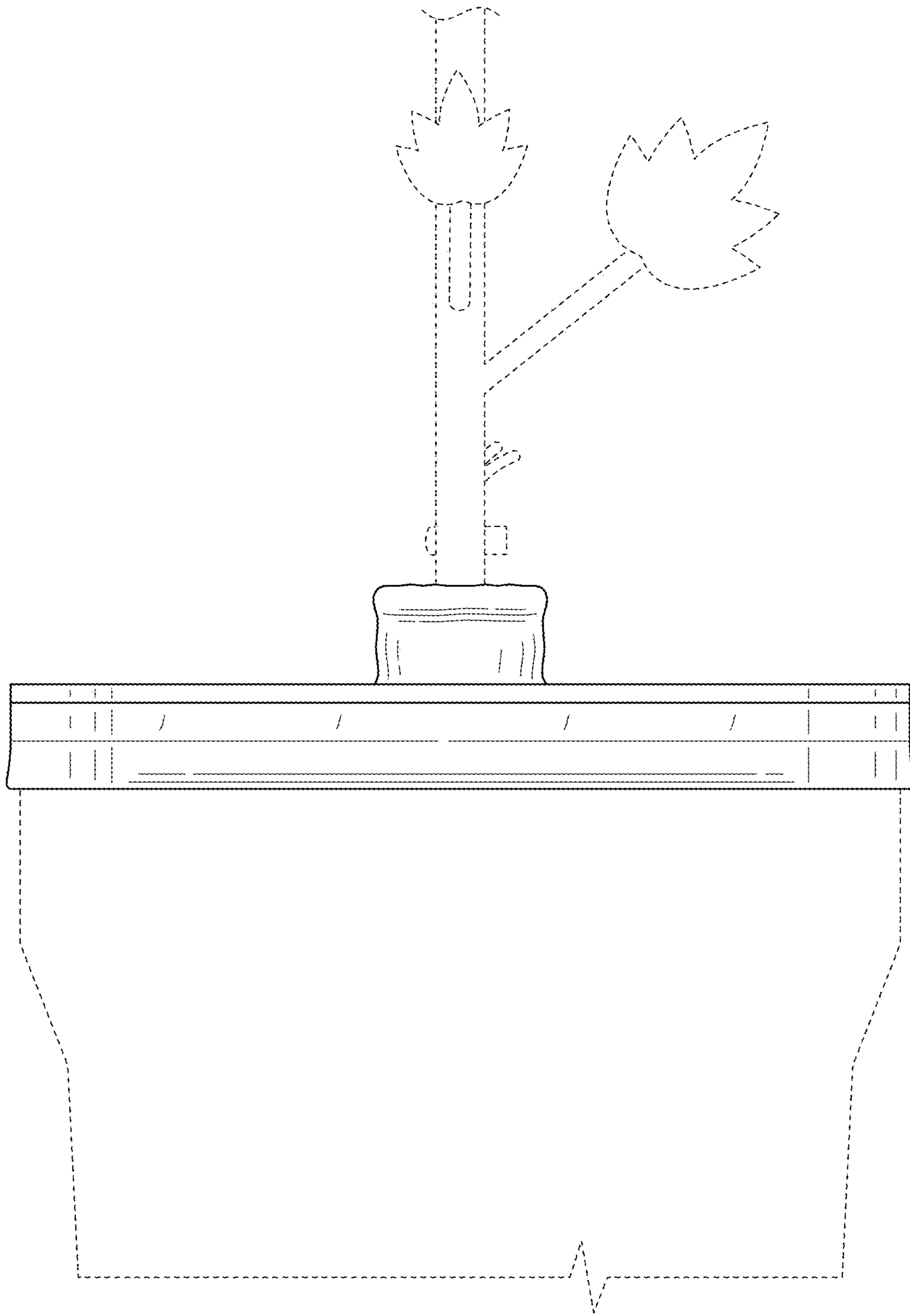


FIG. 5