



US00D891202S

(12) **United States Design Patent**
Kasza

(10) **Patent No.:** **US D891,202 S**
(45) **Date of Patent:** **** Jul. 28, 2020**

(54) **BOTTLE RACK**
(71) Applicant: **STACT Wine Displays Inc., Vancouver (CA)**

1,480,939 A 1/1924 Hand
1,617,003 A 2/1927 Zeller
1,735,710 A 11/1929 Abrahamsen et al.
1,797,296 A 3/1931 Ray
(Continued)

(72) Inventor: **Jamie Dennis Kasza, Vancouver (CA)**

FOREIGN PATENT DOCUMENTS

(73) Assignee: **STACT WINE DISPLAYS INC., Vancouver (CA)**

CA 1012095 6/1977
CA 2456638 8/2004

(**) Term: **15 Years**

(Continued)

(21) Appl. No.: **29/647,826**

OTHER PUBLICATIONS

(22) Filed: **May 16, 2018**

Office Action in European Patent Application No. 13172148.2 (dated Aug. 14, 2018).

(Continued)

Related U.S. Application Data

(62) Division of application No. 29/521,526, filed on Mar. 24, 2015, now Pat. No. Des. 821,831.

Primary Examiner — Terry A Wallace

(51) **LOC (12) Cl.** **06-04**

(74) *Attorney, Agent, or Firm* — Pepper Hamilton LLP

(52) **U.S. Cl.**
USPC **D7/701**

(57) **CLAIM**

(58) **Field of Classification Search**
USPC D7/701–708, 619.1–625; D6/552, 512, D6/553

The ornamental design for a bottle rack, as shown and described.

CPC A47F 5/0823; A47F 5/02; A47F 5/0846; A47F 5/0815; A47F 7/28; A47F 7/10; A47F 57/04; A47B 73/00; A47B 73/002; A47B 73/004; A47B 73/006; A47B 57/42; A47B 57/52; A47B 81/007; D06F 57/04; B01L 9/06; A47J 47/16; A01F 25/12

DESCRIPTION

See application file for complete search history.

FIG. 1 is a perspective view from the front and right side of the bottle rack showing my new design; FIG. 2 is a front elevation view of the bottle rack of FIG. 1; FIG. 3 is a top plan view of the bottle rack of FIG. 1; FIG. 4 is a bottom plan view of the bottle rack of FIG. 1; FIG. 5 is a left side elevation view of the bottle rack of FIG. 1; and, FIG. 6 is a right side elevation view of the bottle rack of FIG. 1.

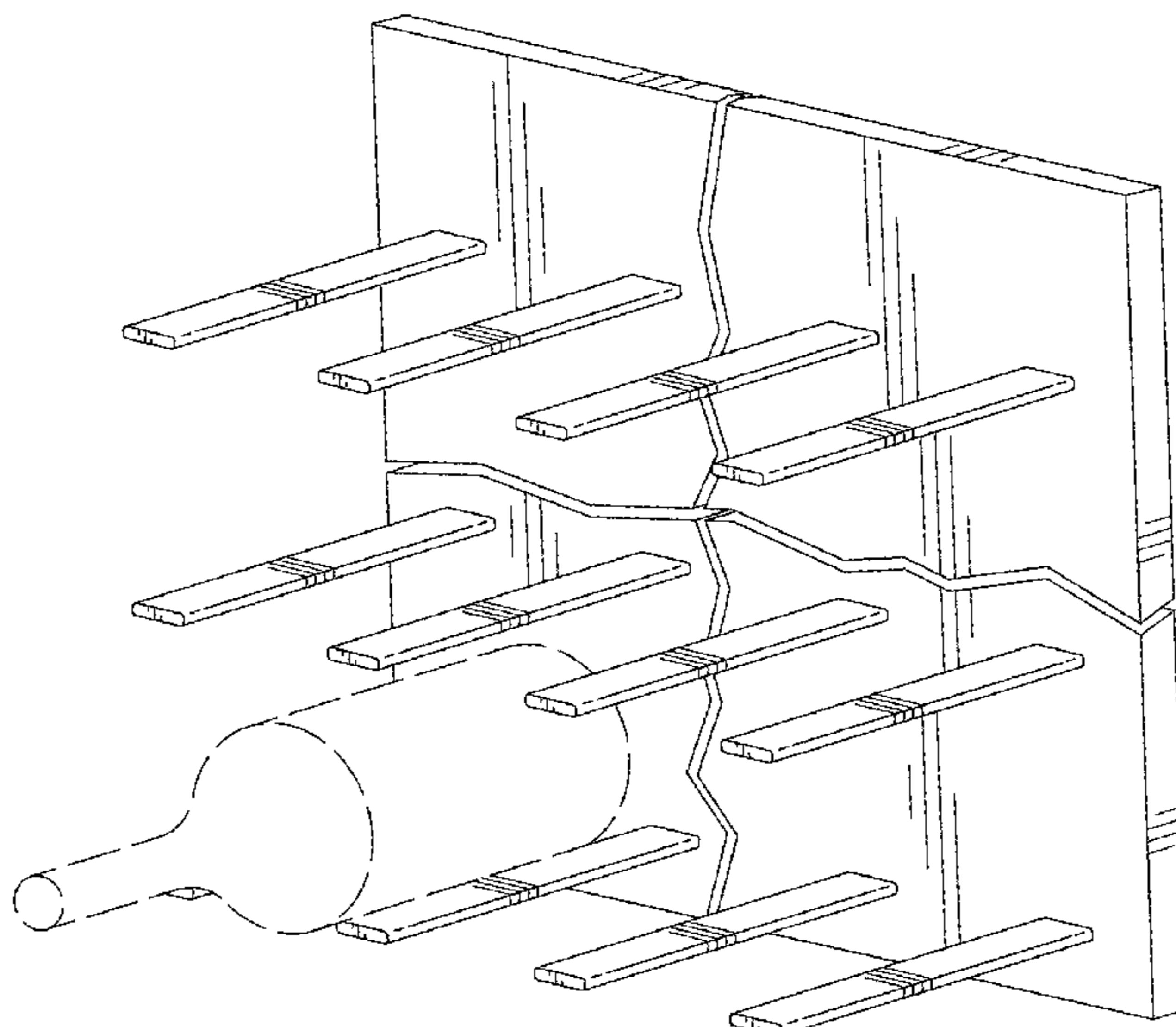
(56) **References Cited**

U.S. PATENT DOCUMENTS

49,633 A 8/1865 King
278,200 A 5/1883 Tait
583,727 A 6/1897 Braun
698,272 A 4/1902 Glover
799,783 A 9/1905 Ette

The dashed lines in FIGS. 3 to 6 represent portions of the bottle rack that do not form part of the claimed design. The dashed lines in FIG. 1 represent a bottle, which forms part of the environment, and do not form part of the claimed design.

1 Claim, 4 Drawing Sheets



US D891,202 S

(56)

References Cited

U.S. PATENT DOCUMENTS

1,835,726	A	12/1931	Thompson	D289,716	S	5/1987	Boland
2,026,746	A	1/1936	Moore	D291,031	S *	7/1987	Luongo D6/317
2,051,408	A *	8/1936	Karst A47F 5/0876 211/65	4,695,183	A	9/1987	Greenberg
2,070,507	A	2/1937	Bishop	4,711,594	A	12/1987	Agee
2,100,421	A	11/1937	Wupper	D295,128	S	4/1988	Gentile
2,179,089	A	11/1939	Hauf	4,805,783	A	2/1989	Mayer
2,227,326	A	12/1940	Shaw	4,836,574	A	6/1989	Ingalls
2,317,070	A	4/1943	Le Tourneau	D306,385	S	3/1990	Alexander et al.
2,366,676	A	1/1945	Rosenthal	4,944,415	A	7/1990	Orbach
2,527,796	A	10/1950	Clute	4,981,388	A	1/1991	Becken et al.
2,531,020	A	11/1950	Bard	4,993,865	A	2/1991	Nagashima
2,562,327	A	7/1951	Moore	5,025,936	A	6/1991	Lamoureaux
2,575,965	A	11/1951	Malm	5,037,390	A	8/1991	Raines
2,774,477	A	12/1956	Pollitz	D320,325	S *	10/1991	Barfield D6/552
2,815,972	A	12/1957	Lagervall	5,067,846	A	11/1991	Staniszewski
2,879,900	A	3/1959	Fox	5,094,564	A	3/1992	Tedrick
2,889,050	A	6/1959	Modrey	5,097,966	A	3/1992	Miller
D190,704	S	6/1961	Cobbs	5,116,007	A	5/1992	Von Gunton et al.
3,181,701	A	5/1965	Manny	5,163,567	A	11/1992	Betts, Sr.
3,186,558	A	6/1965	Horstmann	D332,018	S *	12/1992	De Pas D6/682.6
3,200,960	A	8/1965	Banse	5,169,009	A	12/1992	Bomze
3,204,867	A	9/1965	Wahlbom	D333,559	S	3/1993	Rowley
3,244,390	A	4/1966	Kerr	5,190,393	A	3/1993	Svensson
3,252,678	A	5/1966	Meyers et al.	5,210,898	A	5/1993	Carey
3,255,987	A	6/1966	Gatch	5,215,413	A	6/1993	Nance
3,272,468	A	9/1966	Wittrock	5,242,239	A	9/1993	Hosokawa
3,279,620	A	10/1966	Nesbitt	5,279,232	A	1/1994	Gollick
3,336,758	A	8/1967	Williams	5,306,093	A	4/1994	Elbert
3,377,807	A	4/1968	Vincent	D348,182	S	6/1994	Young
D211,635	S	7/1968	Holm	D348,806	S	7/1994	Young
3,422,721	A	1/1969	Yonkers	5,326,206	A	7/1994	Moore
3,469,869	A	9/1969	Ramakers	D367,592	S	3/1996	Newport
3,519,292	A	7/1970	Krikorian	5,499,724	A	3/1996	Hickman
3,541,798	A	11/1970	Schnabel, Jr.	5,503,276	A *	4/1996	Pierce A47F 5/0807 211/59.1
3,606,023	A	9/1971	Edmunds	5,607,070	A	3/1997	Hellyer
3,638,814	A	2/1972	Lowery	5,653,349	A	8/1997	Dana et al.
3,653,697	A	4/1972	Ernst	D383,607	S	9/1997	Whitlock
D226,051	S	1/1973	Fujinami	5,678,794	A	10/1997	Kump
3,731,956	A	5/1973	Hanley	5,711,436	A	1/1998	Moeller et al.
3,740,692	A	6/1973	Filhaber	5,727,698	A	3/1998	Lai
3,747,965	A	7/1973	Wing	5,785,187	A	7/1998	Lipman et al.
3,753,354	A	8/1973	Bauer	D396,800	S	8/1998	Robert
3,799,357	A	3/1974	Govang	5,813,550	A *	9/1998	Sheehan A47F 5/0807 211/87.01
D232,284	S	8/1974	Shuck	5,855,347	A	1/1999	Hollingsworth et al.
3,836,007	A	9/1974	Rosenwein	D406,217	S	3/1999	Campbell
3,897,724	A	8/1975	McDonald	5,906,466	A	5/1999	Eandi
D236,565	S	9/1975	Fuller	5,918,750	A	7/1999	Jackson
3,924,750	A	12/1975	Dunchock	5,944,203	A	8/1999	Vlah et al.
D238,735	S	2/1976	Trieschmann	6,116,435	A	9/2000	Young
3,938,667	A	2/1976	Buckland	6,119,875	A	9/2000	Smith
D243,804	S	3/1977	Underwood et al.	6,126,022	A	10/2000	Merkel
4,019,638	A	4/1977	Miller	6,161,707	A	12/2000	Lin
4,022,327	A	5/1977	Anderson	6,173,845	B1	1/2001	Higgins et al.
4,063,836	A	12/1977	Militano	6,199,705	B1	3/2001	Portner et al.
4,082,389	A	4/1978	Stewart	6,336,298	B1	1/2002	Chou
4,094,415	A	6/1978	Larson	6,355,038	B1	3/2002	Pisharodi
4,193,586	A	3/1980	Guenther	6,361,129	B1	3/2002	Borgen
D255,405	S	6/1980	De Villers	D460,295	S *	7/2002	Fissell D32/58
4,223,862	A	9/1980	Doughty	D460,902	S	7/2002	Battle
4,264,230	A	4/1981	Vanderminde	6,443,316	B1	9/2002	Mao
4,282,977	A	8/1981	Di Lorenzo	6,464,691	B1	10/2002	Castaneda
D260,463	S	9/1981	Imus	6,502,711	B1	1/2003	McRae
D262,334	S	12/1981	Clarke, Jr. et al.	6,561,474	B1	5/2003	Walter et al.
4,319,730	A	3/1982	Thalenford	6,575,312	B2	6/2003	Santa Cruz
4,340,317	A	7/1982	Heitmann et al.	6,589,277	B1	7/2003	Fabiani
4,358,214	A	11/1982	Shull	6,644,483	B1	11/2003	Lai
4,386,870	A	6/1983	Baroody	6,675,978	B2	1/2004	Shea
4,420,087	A	12/1983	Johns	6,695,154	B2	2/2004	Jacobs
4,431,332	A	2/1984	Dieges	6,711,871	B2	3/2004	Beirise et al.
4,482,065	A	11/1984	Altemose	6,729,481	B1	5/2004	O'Brien
4,485,929	A	12/1984	Betts, Sr.	6,763,956	B2 *	7/2004	Woods A47B 73/00 211/74
4,514,107	A	4/1985	Moreno	6,786,337	B2	9/2004	Klein
D284,720	S	7/1986	Watson	D497,526	S	10/2004	Sanders et al.
4,601,621	A	7/1986	Permoda	6,808,147	B2	10/2004	Brannen et al.
				D509,108	S	9/2005	Rosenberg et al.
				6,945,414	B1	9/2005	Stevens et al.

(56)

References Cited

U.S. PATENT DOCUMENTS

6,991,117 B2 1/2006 McCain
 7,040,835 B2 5/2006 Sun
 D539,563 S * 4/2007 Grosfillex D6/682.6
 7,198,159 B2 4/2007 Fischer
 D543,078 S 5/2007 Davalos
 7,270,242 B2 9/2007 Liu
 D554,188 S 10/2007 Bonaventura
 7,284,671 B1 10/2007 Doscher
 7,284,734 B2 10/2007 Hamerski
 D566,490 S 4/2008 Frentzel
 7,377,397 B2 5/2008 Lee et al.
 7,392,912 B2 7/2008 Zandt
 7,448,820 B1 11/2008 Faber
 7,517,425 B2 4/2009 Schroeder et al.
 7,673,761 B2 3/2010 Lee et al.
 D618,524 S 6/2010 Nesil et al.
 7,806,268 B2 10/2010 Angelocci
 7,850,017 B2 12/2010 McCain
 7,861,986 B2 1/2011 Cline
 7,878,340 B1 2/2011 Olsen
 7,882,967 B2 2/2011 Hynes
 D634,992 S 3/2011 McNamee
 7,942,747 B2 * 5/2011 Cole A47B 47/00
 463/47
 D655,986 S 3/2012 Schneider
 8,231,015 B2 7/2012 McCain
 8,272,506 B1 9/2012 Flannery
 8,336,862 B2 12/2012 Priefert
 D678,011 S 3/2013 Wylie et al.
 8,573,548 B2 11/2013 Kuhn et al.
 8,607,994 B1 12/2013 Schneider
 8,668,049 B2 3/2014 Leng
 8,684,194 B2 4/2014 McCain
 8,740,534 B2 6/2014 Shawe
 D708,494 S * 7/2014 Carpenter D7/701
 8,807,896 B2 8/2014 McKinlay
 D714,591 S 10/2014 Chen
 D714,592 S 10/2014 Chen
 D715,103 S 10/2014 Chen
 D715,104 S 10/2014 Chen
 D715,105 S 10/2014 Chen
 D731,866 S 6/2015 Paulick
 9,060,603 B1 * 6/2015 Christie A47B 43/006
 9,064,687 B2 6/2015 Rebstock
 D734,977 S 7/2015 Dietz
 D735,540 S 8/2015 Carpenter
 D739,189 S * 9/2015 Carpenter D7/701
 D739,190 S * 9/2015 Kasza D7/701
 9,149,115 B2 * 10/2015 Kasza A47B 73/006
 D747,155 S 1/2016 Goodman
 D751,371 S 3/2016 Pan
 D751,871 S 3/2016 Polley et al.
 9,289,062 B1 3/2016 Posa
 D756,723 S 5/2016 Cash
 D758,754 S 6/2016 Appleby
 9,364,085 B2 6/2016 McCain
 D766,051 S 9/2016 LaRiviere
 D766,052 S 9/2016 Guindi
 D776,956 S 1/2017 Ma
 9,565,933 B2 2/2017 Kasza
 9,629,485 B2 4/2017 Florek
 D785,418 S * 5/2017 Carpenter D7/701
 D789,164 S 6/2017 Peterson
 9,949,563 B2 4/2018 Kasza et al.
 10,004,330 B1 * 6/2018 Kasza F16B 9/026
 D821,831 S * 7/2018 Kasza D7/701
 D834,900 S 12/2018 Kasza
 D838,561 S 1/2019 Sill
 D848,802 S 5/2019 Kasza
 D878,828 S 3/2020 Kasza
 2001/0013567 A1 8/2001 Valiulis
 2003/0057336 A1 3/2003 Hochman
 2004/0069730 A1 * 4/2004 Woods A47B 73/00
 211/74
 2004/0104187 A1 6/2004 McCain

2004/0144740 A1 7/2004 Przygoda
 2005/0072746 A1 4/2005 O'Brien
 2006/0275098 A1 12/2006 Kramer
 2007/0039907 A1 2/2007 Zandt
 2007/0068887 A1 3/2007 Nawrocki
 2007/0094985 A1 5/2007 Grafenauer
 2007/0158284 A1 7/2007 Felder
 2008/0000861 A1 1/2008 Mullerleile
 2008/0054142 A1 * 3/2008 Deland A47F 5/0815
 248/223.31
 2009/0071920 A1 3/2009 Bassetti
 2009/0152219 A1 6/2009 Brida
 2009/0152221 A1 6/2009 Hynes
 2009/0286611 A1 11/2009 Beach et al.
 2010/0006523 A1 1/2010 Hogeback
 2010/0051769 A1 3/2010 Tyson
 2011/0132853 A1 * 6/2011 Drobot A47B 57/562
 211/42
 2011/0309220 A1 12/2011 Collini
 2012/0082528 A1 4/2012 Wang
 2012/0085721 A1 4/2012 Drobot et al.
 2013/0334155 A1 * 12/2013 Kasza A47B 73/006
 211/75
 2014/0339182 A1 11/2014 Koder et al.
 2015/0060380 A1 3/2015 Maurer
 2016/0029790 A1 * 2/2016 Carpenter A47B 47/00
 211/75
 2016/0190838 A1 6/2016 Webb
 2016/0331131 A1 * 11/2016 Ghaeni A47F 5/0823
 2017/0105522 A1 4/2017 Kasza et al.
 2018/0146781 A1 5/2018 Kasza et al.
 2019/0021492 A1 1/2019 Sill

FOREIGN PATENT DOCUMENTS

CA 2677021 2/2010
 CA 2743948 5/2010
 CN 303752353 7/2016
 DE 3015594 A1 12/1981
 DE 20309209 UI 8/2003
 EP 1389437 2/2004
 FR 0652290001 1/2007
 GB 261537 11/1926
 GB 1202519 8/1970
 GB 2189387 A 10/1987
 GB 2242352 A 10/1991
 NL 1021103 C1 1/2004
 WO WO 2014032158 A1 3/2014

OTHER PUBLICATIONS

Extended European Search Report for European Patent Application No. 13172148.2 (dated Aug. 19, 2013).
 Vin De Garde, "Beta Bloc—Single Bottle," 3D Warehouse SketchUp, <http://sketchup.google.com/3dwarehouse/details?mid=950db41b6d3bd0edc72a6080af74e2bc>, 1 page (Nov. 30, 2012).
 Billy Carpenter, Twitter Post, <https://twitter.com/moderncellars/status/252140684579061760>, 1 page (Sep. 29, 2012).
 Billy Carpenter, Twitter Post, <https://twitter.com/moderncellars/status/254266152501526529>, 1 page (Oct. 5, 2012).
 Vin De Garde, 2013 Catalog, "Vin De Garde 2013, Modern Wine Cellars," pp. 1-29 (2013).
 Amazon.fr, Product Description, Blomus Pilare /68486 Casier a vin Pour 12 Bouteilles [Blomus Pilare /68486 Wine Rack for 12 Bottles], http://www.amazon.fr/blomus-pilare-68486-Casier-bouteilles/dp/B000BKBJWC/ref=sr_1_1?ie=UTF8&qid=1421968472&sr=8-1&keywords=Blomus+Pilare, date first available at Amazon.fr August 8, 2007 (accessed Jan. 22, 2015).
 Hayneedle.com, Product Description Blomus Pilare Wine Rack—Choose 9 or 12 Bottle Rack, review 1 dated Nov. 9, 2006, <http://www.hayneedle.com/product/pilarewinerack.cfm> (accessed Jan. 10, 2015).
 Amazon.com Product Description, Blomus Wine Bottle Storage, Holds 12 Bottles, review by Brian Go dated Aug. 2, 2011, <http://>

(56)

References Cited

OTHER PUBLICATIONS

www.amazon.com/Blomus-Bottle-Storage-Holds-Bottles/dp/B000BKBJWC (accessed Jan. 10, 2015).

Walmart.com, Product Description, Blomus Pilare Wine Rack—Choose 9 or 12 Bottle Rack, review by Carol-Simplify dated Mar. 26, 2008, <http://www.walmart.com/ip/blomus-Pilare-Wine-Rack-Choose-9-or-12-Bottle-Rack/17361365>, (accessed Jan. 10, 2015).

Amazon.de, Product Description, Blomus 68486 PILARE Weinregal, für 12 Flaschen [Blomus 68486 PILARE Wine Rack for 12 Bottles], <http://www.amazon.de/Blomus-68486-PILARE-Weinregal-Flaschen/dp/B000BKBJWC>, date first available at Amazon.de Sep. 22, 2005 (accessed Jan. 22, 2015).

Stact.com, “Turn Your Wine Into Art,” <http://www.getstact.com/> (archived Jul. 29, 2012).

Rosendahl, Spec Sheet, Wine Rack, https://web.archive.org/web/20050304022515/http://www.unicahome.com/products/pdf/9223/rosendahl_wine_rack.pdf (Feb. 8, 2005).

International Search Report for PCT/CA2013/000259, published as WO 2014/032158 (dated Dec. 23, 2013).

Vin De Garde Cellar Systems, Modern Wine Cellars Catalog 2011 (2011).

Genuwine Cellars, Label Link (retrieved from <http://www.genuwinecellars.com/metal-series/label-link/> on Jan. 25, 2013).

Genuwine Cellars, Peg System (retrieved from <http://www.genuwinecellars.com/metal-series/peg-system/> on Jan. 25, 2013).

Genuwine Cellars, Metal Series (retrieved from <http://www.genuwinecellars.com/metal-series/> on Feb. 21, 2013).

Houzz Inc., Bachus Bottle Rack—modern—wine racks—by Made in Design, 2013 (retrieved from <http://www.houzz.com/photos/151858/Bachus-Bottle-Rack-modern-wine-racks-> on Jul. 18, 2013).

Houzz Inc., Live-Edge Solid Walnut 6-Bottle Wine Rack—eclectic—wine racks—by Etsy, 2013 (retrieved from <http://www.houzz.com/photos/2739502/Live-Edge-Solid-Walnut-6-Bottle-Wine-Rack-eclectic-wine-racks-> on Jul. 18, 2013).

Houzz Inc., Wood & Metal Industrial Wine Rack—contemporary—wine racks by World Market, 2013 (retrieved from <http://www.houzz.com/photos/1548374/Wood---Metal-Industrial-Wine-Rack-contemporary-wine-racks-> on Jul. 18, 2013).

Stact Wine Displays Inc., Stact revolutionary wine rack, 2013 (retrieved from <http://www.getstact.com/collections/wine-rack-revolutionized> on Jul. 18, 2013).

Kickstarter.com, “Stact Modular Wine Wall: Wine Storage Beautified,” launched Jul. 26, 2012, <http://www.kickstarter.com/projects/stact/stact-modular-wine-wall-wine-storage-beautified> (archived Jul. 28, 2012).

Marketwired.com, “Wine Storage Beautified: Canada’s Stact Modular Wine Wall System Launches Globally through Kickstarter,” <http://www.marketwired.com/press-release/wine-storage-beautified-canadas-stact-modular-wine-wall-system-launches-globally-through-1684078.htm> (Jul. 26, 2012).

Gillian Shaw, “Vancouver Wine Connoisseur Launches Successful Kickstarter Project to Fund the Perfect Wine Rack,” Vancouver Sun, Digital Life, <http://blogs.vancouversun.com/2012/07/28/vancouver-wine-connoisseur-launches-successful-kickstarter-project-to-fund-the-perfect-wine-rack/> (Jul. 28, 2012).

Kim Hart Macneill, “A New Way to Kickstart a Business,” Profitguide.com, <http://www.profitguide.com/startup/best-practices/mass-appeals-40210> (Sep. 5, 2012).

Uncrate.com, “Stact Modular Wine Wall,” <http://uncrate.com/stuff/stact-modular-wine-wall/> (archived Jul. 30, 2012).

billwang.net, Design Online, [Billwang Industrial Design Forum > Industrial Design Zone > Design Resources > Design Resources Digest > Nordic windows, some household items map , p. 25 Update (Jul. 5)], Posted on Dec. 11, 2006 , 17:04, <http://bbs.billwang.net/post5298125-187/> (accessed Jan. 22, 2015).

Aronson, Steven M. L. et al., “An Ocean of Art William I. Koch’s Stellar Collection In Palm Beach,” *Architectural Digest* (Mar. 2002).

Sothebys.com, “First Look: Wines from the Cellar of William I. Koch,” Video Screenshot at 0:37, <http://www.sothebys.com/content/sothebys/en/news-video/videos/2016/03/wines-from-the-cellar-of-william-i-koch.html>.

Youtube.com, “The Wine Cellar of William I. Koch: The Collector,” Video Screenshot at 0:24 and 0:48, <https://www.youtube.com/watch?v=Gx88VKyJ7h0>.

Isaac, Ryan “Oil, Water and Wine Bill Koch mixes it up, for profit and pleasure,” *Wine Spectator* (Nov. 2006).

Worldmarket.com, Product Description, 30-Bottle Verona Wine Rack, <http://www.worldmarket.com/product/30-bottle+verona+wine+rack.do?&from=fn> (earliest date online Jul. 27, 2015; accessed Feb. 28, 2017).

Dullred.com, “Nice Rectangle Shape Kitchen Wine Racks Come With Brown Wooden Modular Shape Wine Rack and Brown Wooden Wire Glass Cabinet and Double Door Cabinet,” <http://www.dullred.com/wonderful-design-ideas-of-kitchen-wine-racks/nice-rectangle-shape-kitchen-wine-racks-brown-wooden-modular-shape-wine-rack-brown-wooden-wine-glass-cabinet-double-door-cabinet/> (earliest date online Nov. 14, 2015; accessed Feb. 28, 2017).

Core77 .com, “Designing for Wine Storage,” <http://www.core77.com/posts/26960/Designing-for-Wine-Storage> (earliest date online May 29, 2014; accessed Feb. 28, 2017).

Vigilantinc.com, “Vintage View Metal Wine Racks,” <https://vigilantinc.com/wine-racks/metal-wine-racks.php> (earliest date online 2015; accessed Feb. 28, 2017).

Indiamart.com, “Wall Mount Bottle Rack,” <https://www.indiamart.com/proddetail/wall-mount-wine-bottle-rack-14778959562.html> (retrieved by the USPTO, dated Nov. 28, 2017).

Getstact.com, “Wine Rack Lookbook,” <https://getstact.com/pages/wine-rack-lookbook> (retrieved by the USPTO, dated Nov. 28, 2017).

Dustymars.net, “Cantilever Staircase,” <http://www.dustymars.net/cantilever-staircase> (retrieved by the USPTO, dated on Nov. 28, 2017).

Design Appl. No. 29/589,781, filed Jan. 4, 2017, First Named Inventor: Jamie Dennis Kasza.

Design U.S. Appl. No. 29/609,604, filed Jul. 3, 2017, First Named Inventor: Jamie Dennis Kasza.

Design U.S. Appl. No. 29/625,830, filed Nov. 13, 2017, First Named Inventor: Jamie Dennis Kasza.

Design U.S. Appl. No. 29/637,470, filed Feb. 19, 2018, First Named Inventor: Jamie Dennis Kasza.

U.S. Appl. No. 15/980,834, filed May 16, 2018, First Named Inventor: Jamie Dennis Kasza.

Homedepot.com, Product Description, Anchor Hocking Bamboo Wine Rack with Espresso Accents, <https://www.homedepot.com/p/Anchor-Hocking-Bamboo-Wine-Rack-with-Espresso-Accents-98617AH/205201216> (accessed Jun. 30, 2018).

* cited by examiner

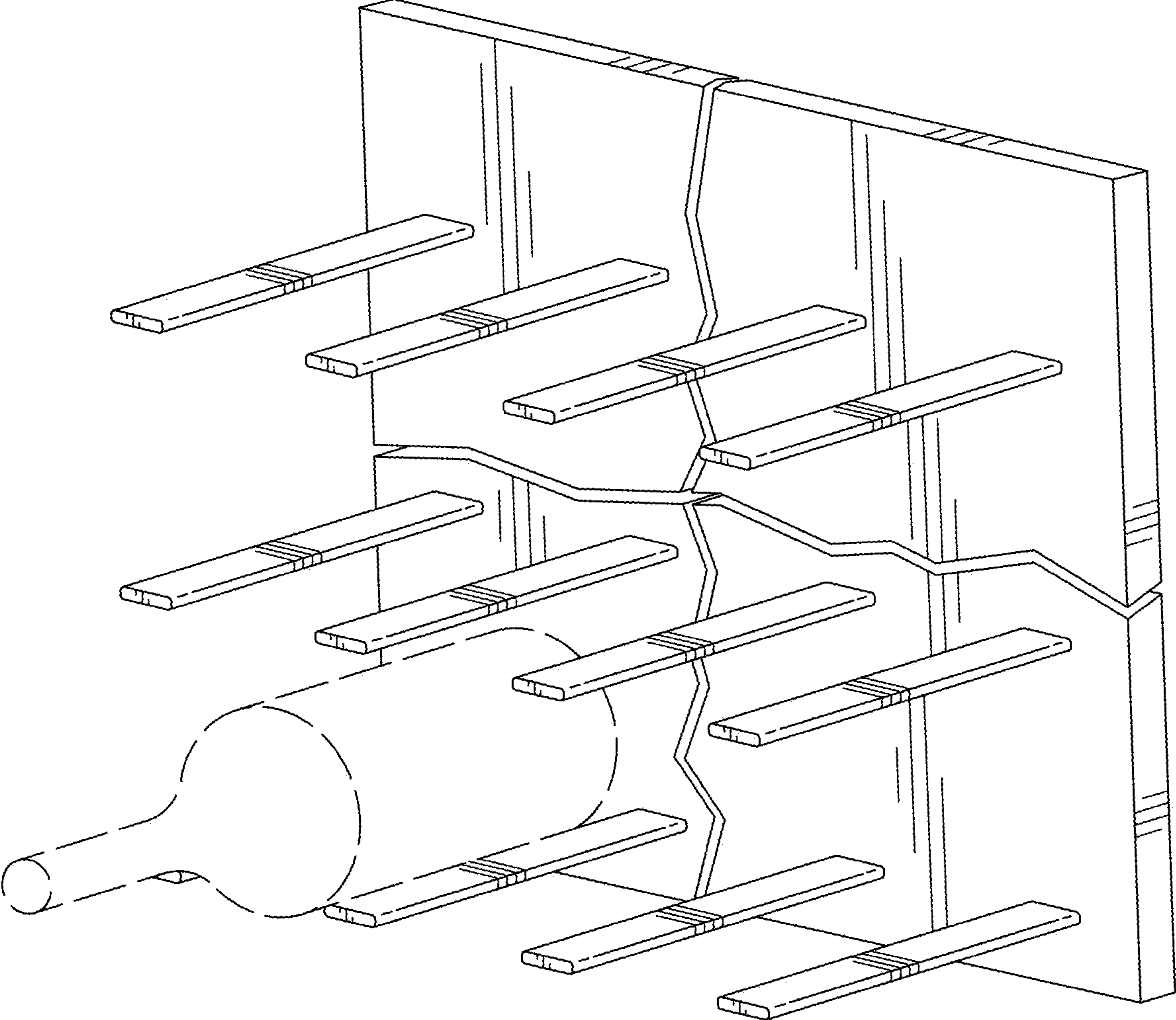


FIG. 1

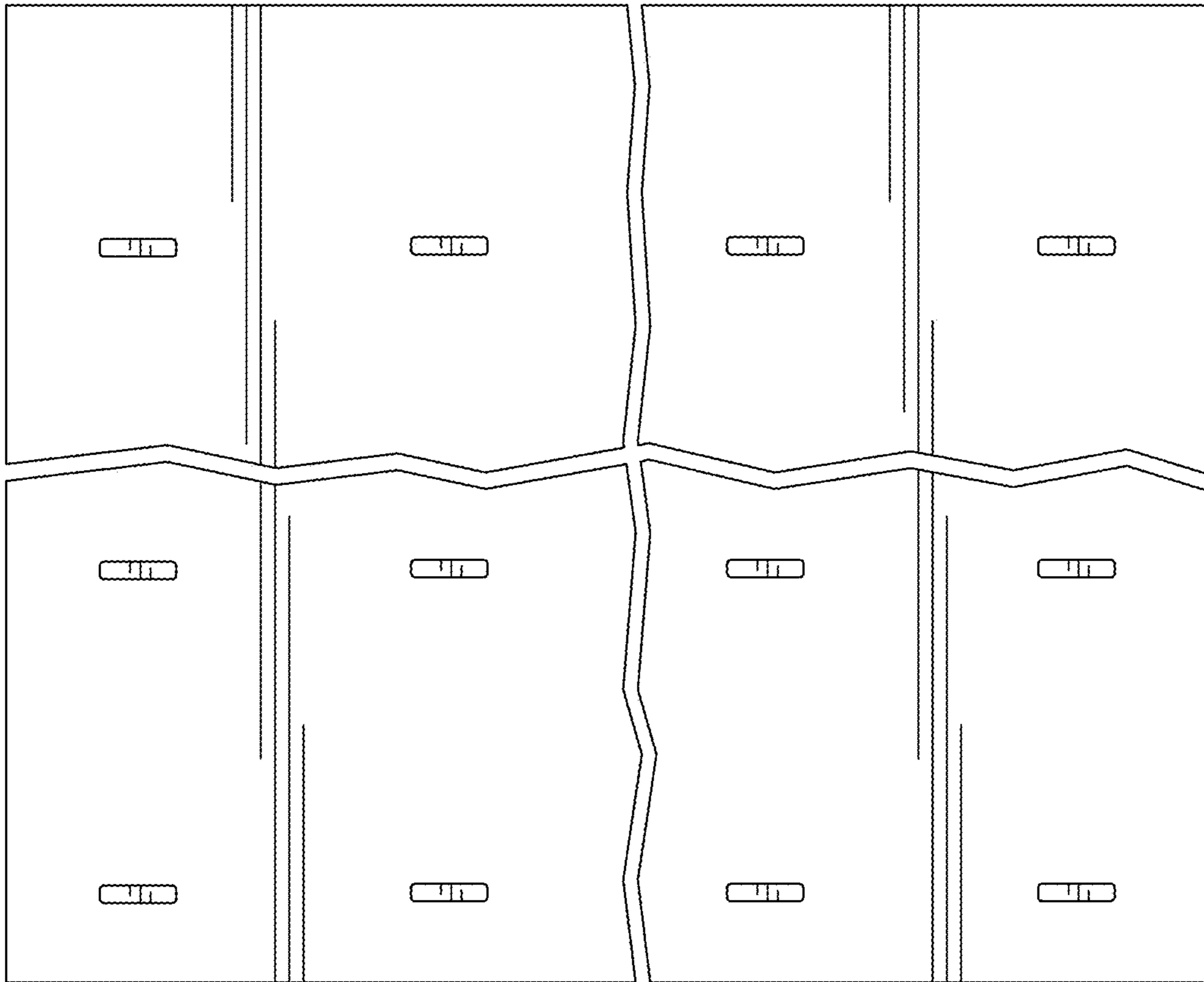


FIG. 2

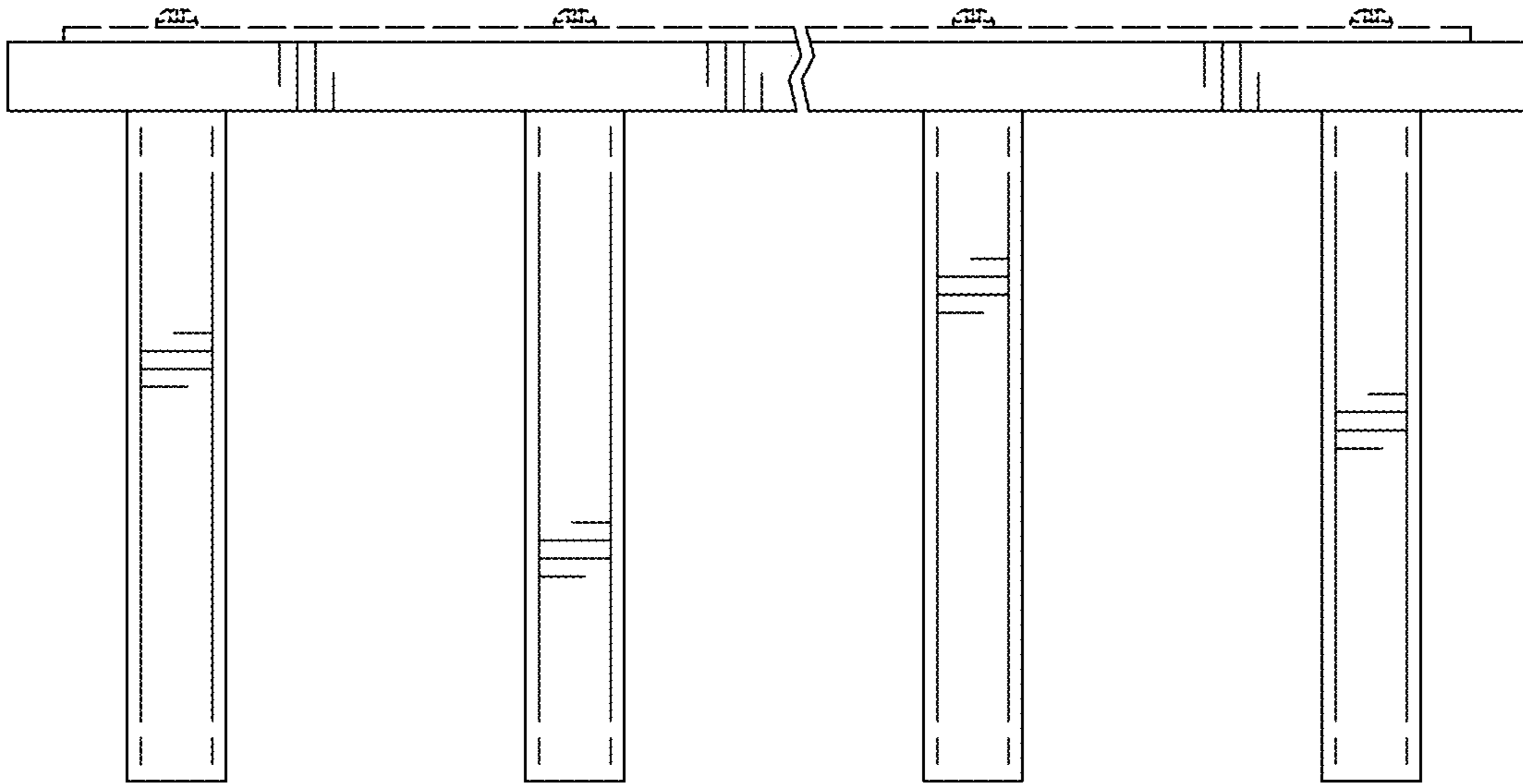


FIG. 3

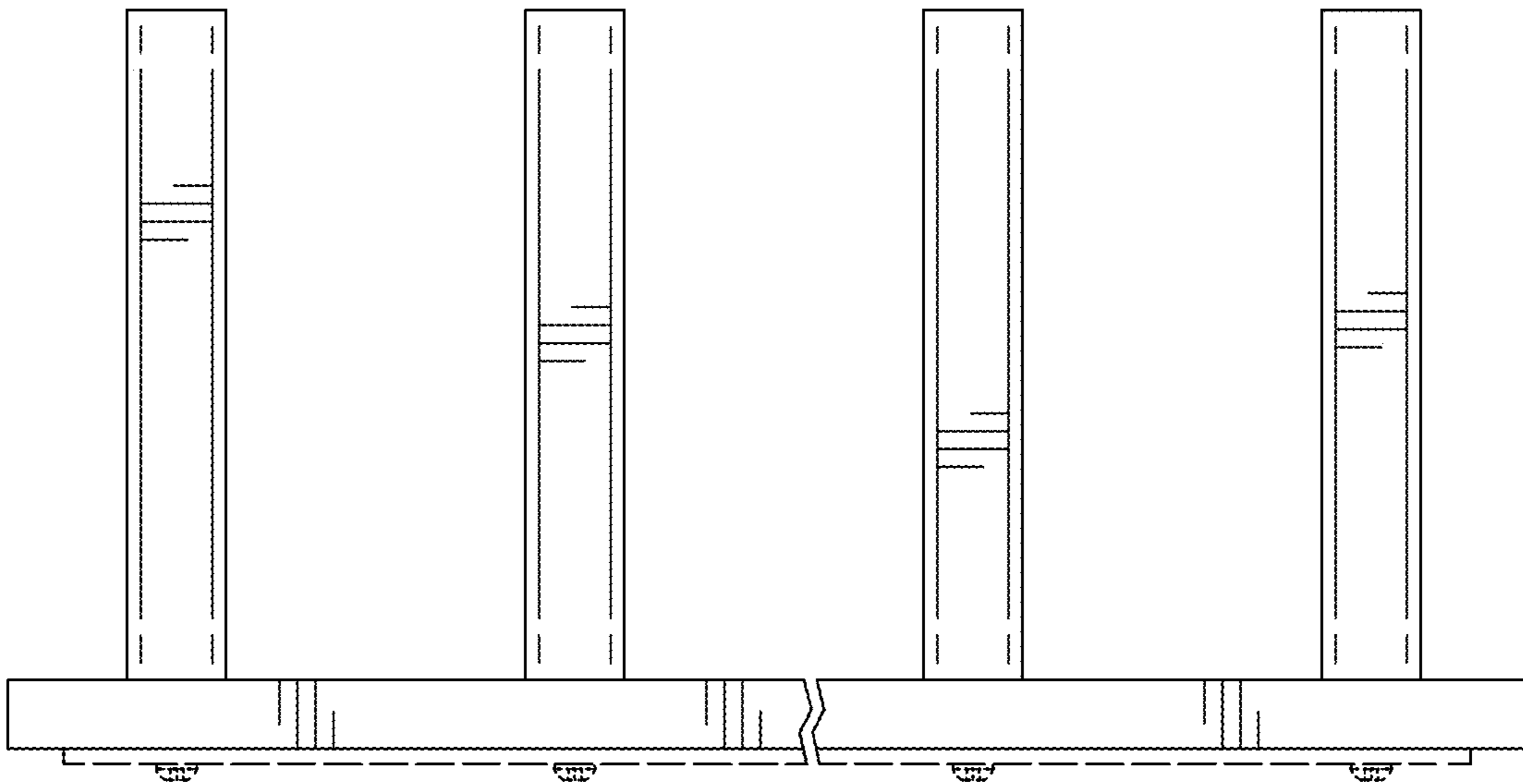


FIG. 4

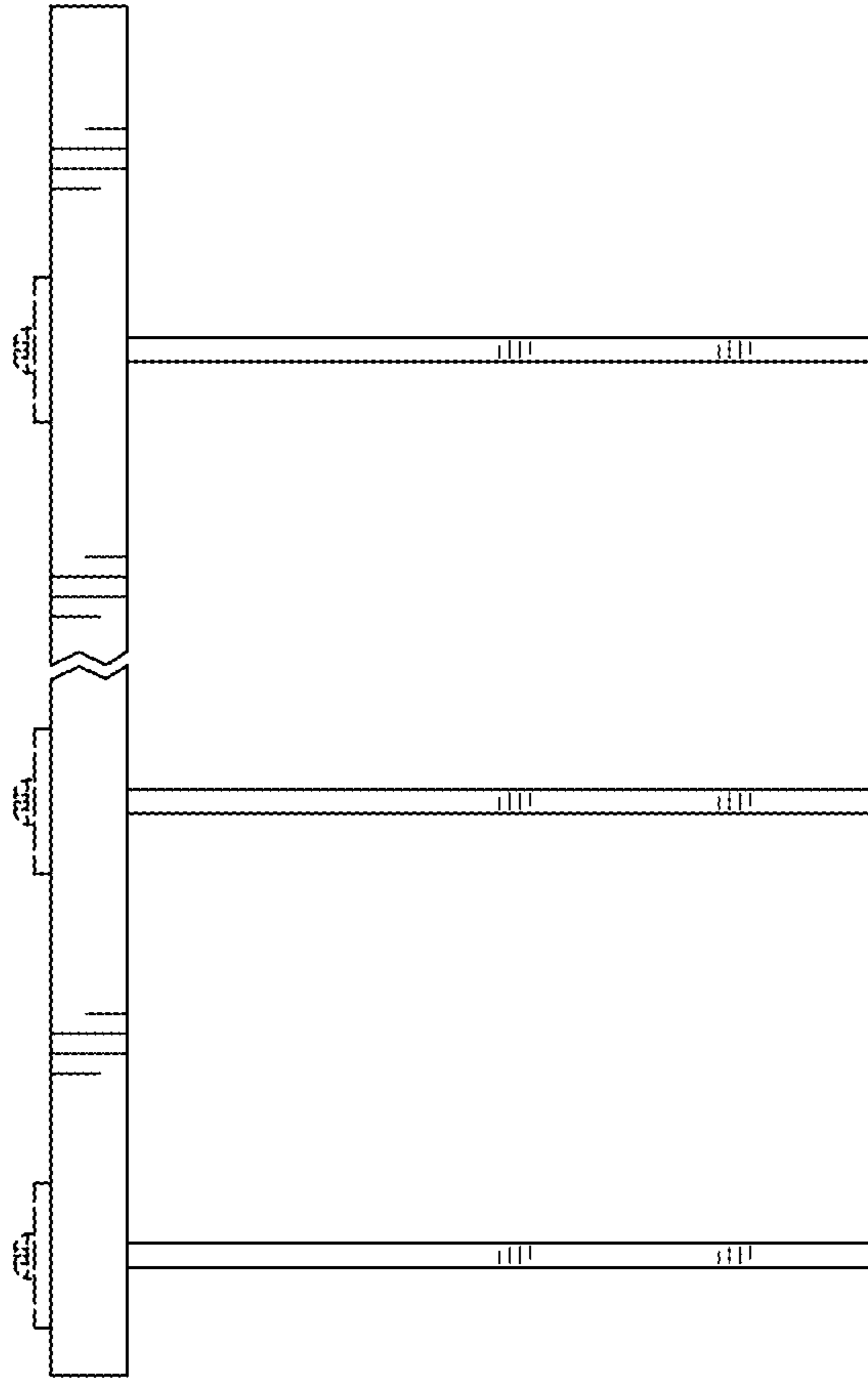


FIG. 5

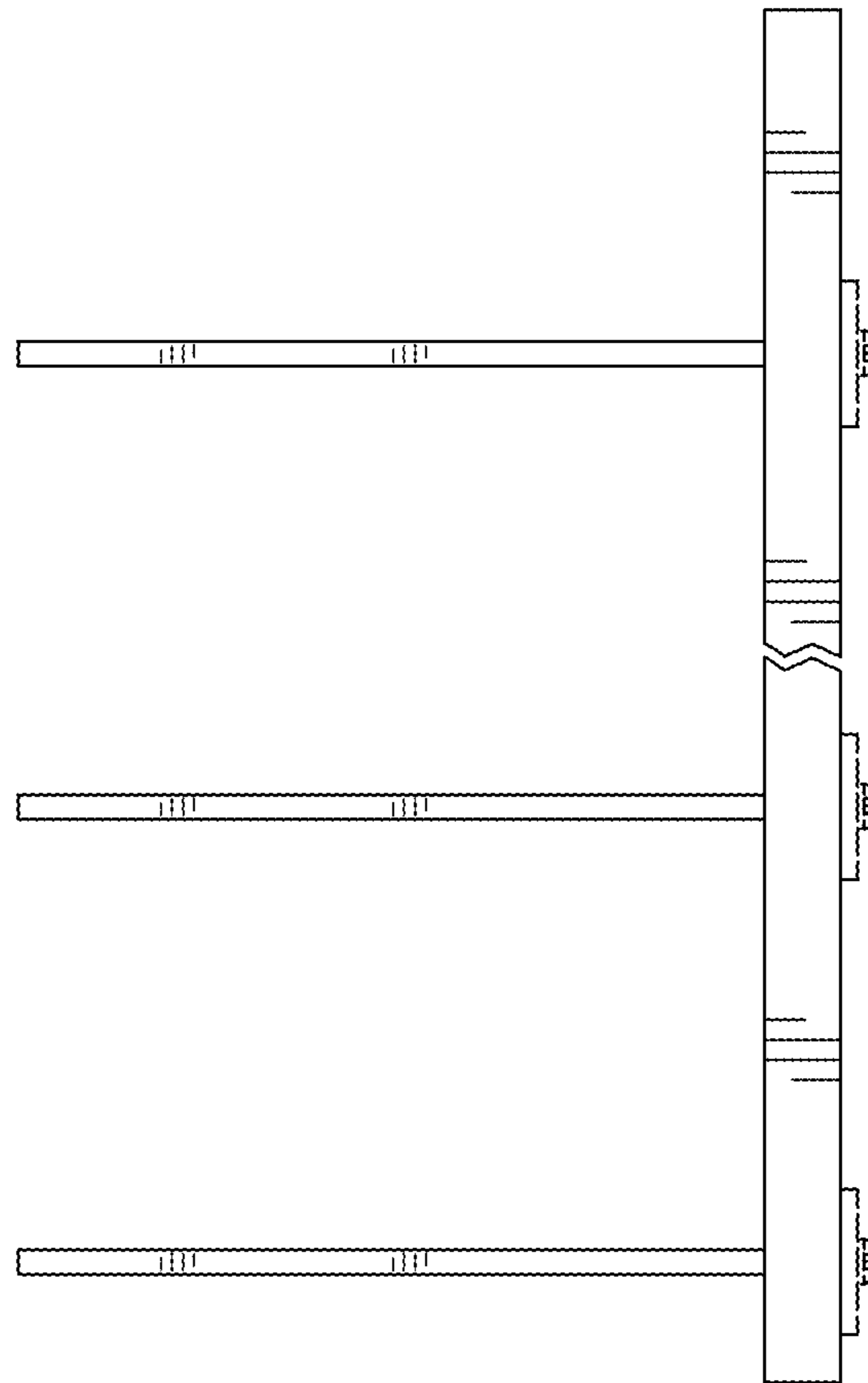


FIG. 6