



US00D891201S

(12) **United States Design Patent**
Steenwyk et al.

(10) **Patent No.:** **US D891,201 S**

(45) **Date of Patent:** **** Jul. 28, 2020**

(54) **CORN HOLDER**

(71) Applicants: **Zab Steenwyk**, Brooklyn, NY (US);
Sunny Kim, Douglaston, NY (US)

(72) Inventors: **Zab Steenwyk**, Brooklyn, NY (US);
Sunny Kim, Douglaston, NY (US)

(73) Assignee: **Helen of Troy Limited**, St. Michael
(BB)

(**) Term: **15 Years**

(21) Appl. No.: **29/668,983**

(22) Filed: **Nov. 4, 2018**

(51) **LOC (12) Cl.** **07-02**

(52) **U.S. Cl.**

USPC **D7/683**

(58) **Field of Classification Search**

USPC D7/680-696, 393, 395, 642-664;

D19/65; D8/300, 107, 301, 307, 47

CPC A47G 21/03; A47G 21/023; A47G 21/00;

A47G 19/303; A47J 43/283; A47J 17/10;

B43M 15/00

See application file for complete search history.

(56) **References Cited**

U.S. PATENT DOCUMENTS

D26,777 S * 3/1897 Donnelly D7/683

5,566,997 A * 10/1996 Lin A47G 19/303

294/5

D497,293 S * 10/2004 Cheng D7/683

D620,048 S * 7/2010 Lien D19/65

8,061,746 B1 * 11/2011 Stephens, III A47J 17/10

294/61

D755,585 S * 5/2016 Berge D7/683

* cited by examiner

Primary Examiner — Terry A Wallace

(74) *Attorney, Agent, or Firm* — Rankin Hill & Clark
LLP

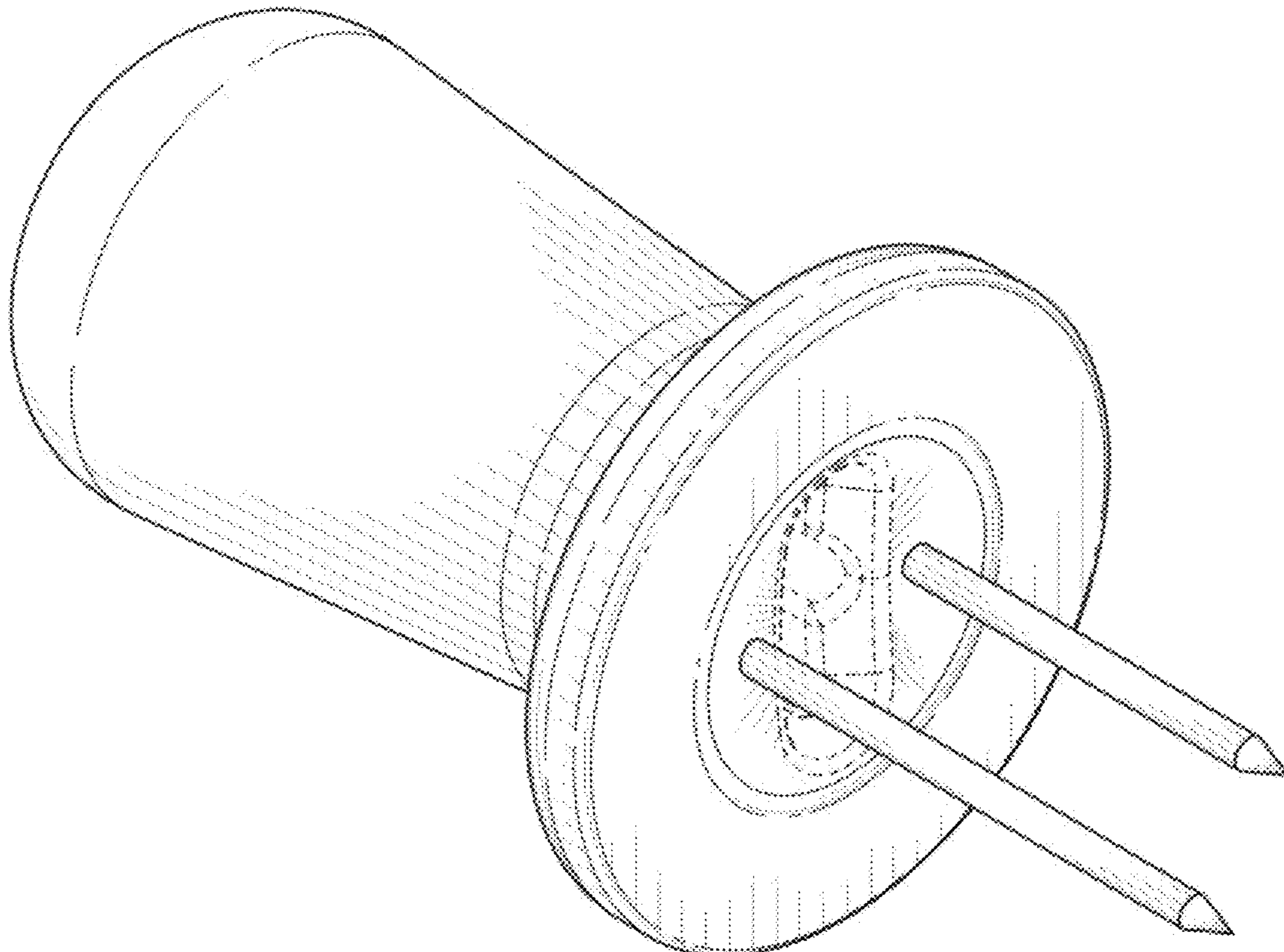
(57) **CLAIM**

The ornamental design for a corn holder, as shown, and described.

DESCRIPTION

FIG. 1 is a perspective view of the corn holder;
FIG. 2 is a right side view thereof;
FIG. 3 is a left side view thereof;
FIG. 4 is a top plan view thereof (with the bottom a mirror image thereof);
FIG. 5 is a rear elevation view thereof;
FIG. 6 is a front elevation view thereof; and,
FIG. 7 is a perspective view thereof in a storage position.
The broken lines depict environment and form no part of the claimed design.

1 Claim, 7 Drawing Sheets



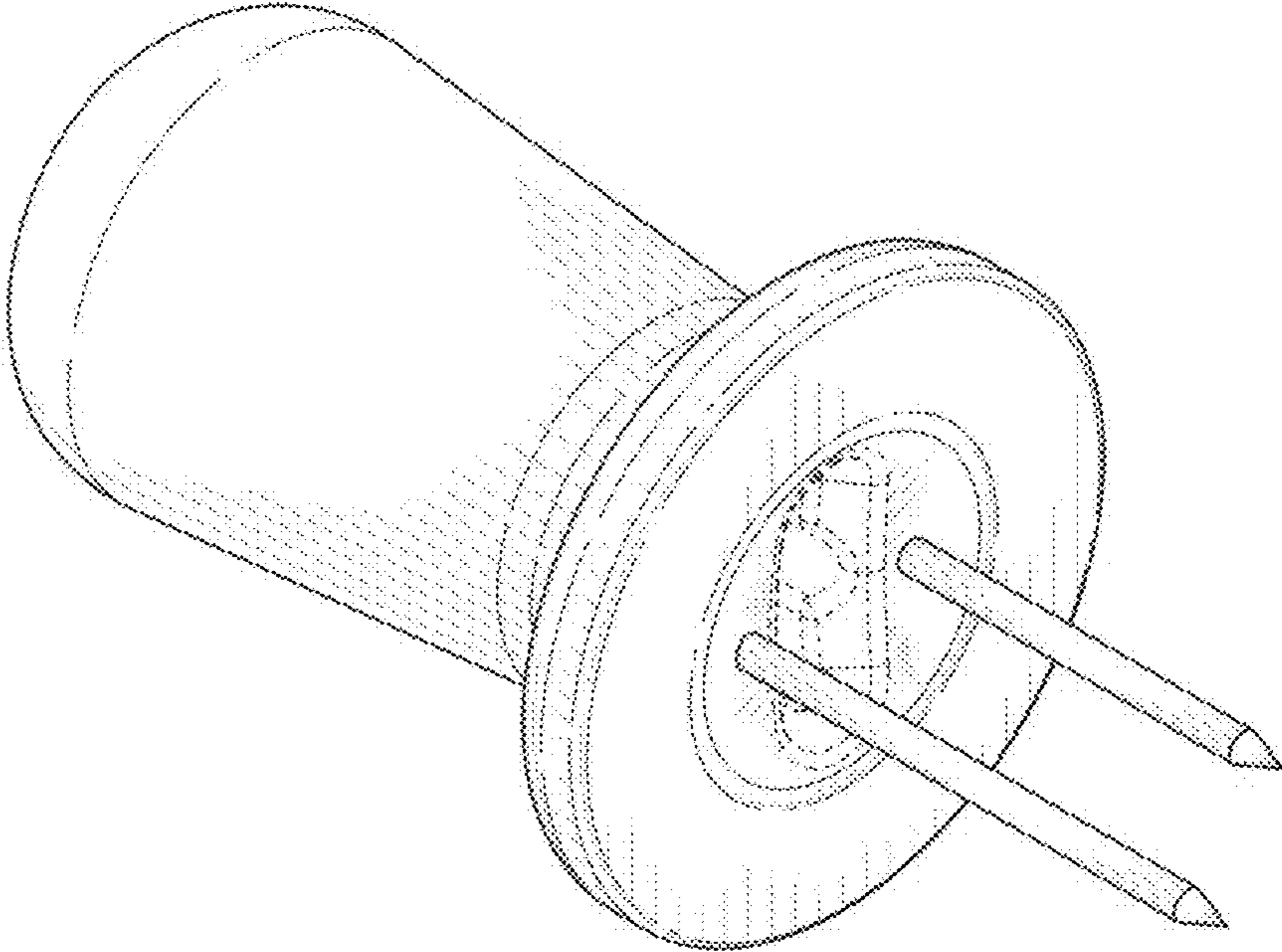


FIG. 1

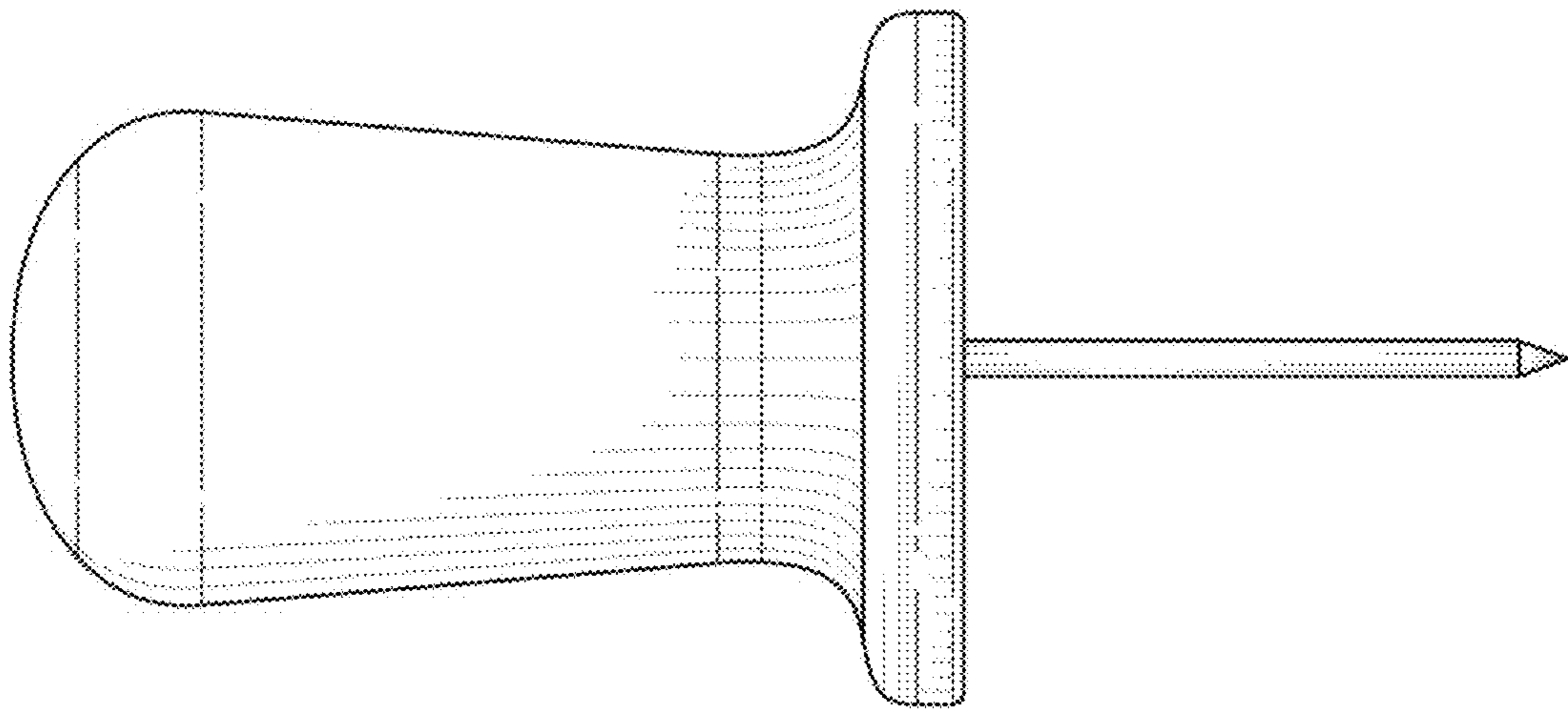


FIG. 2

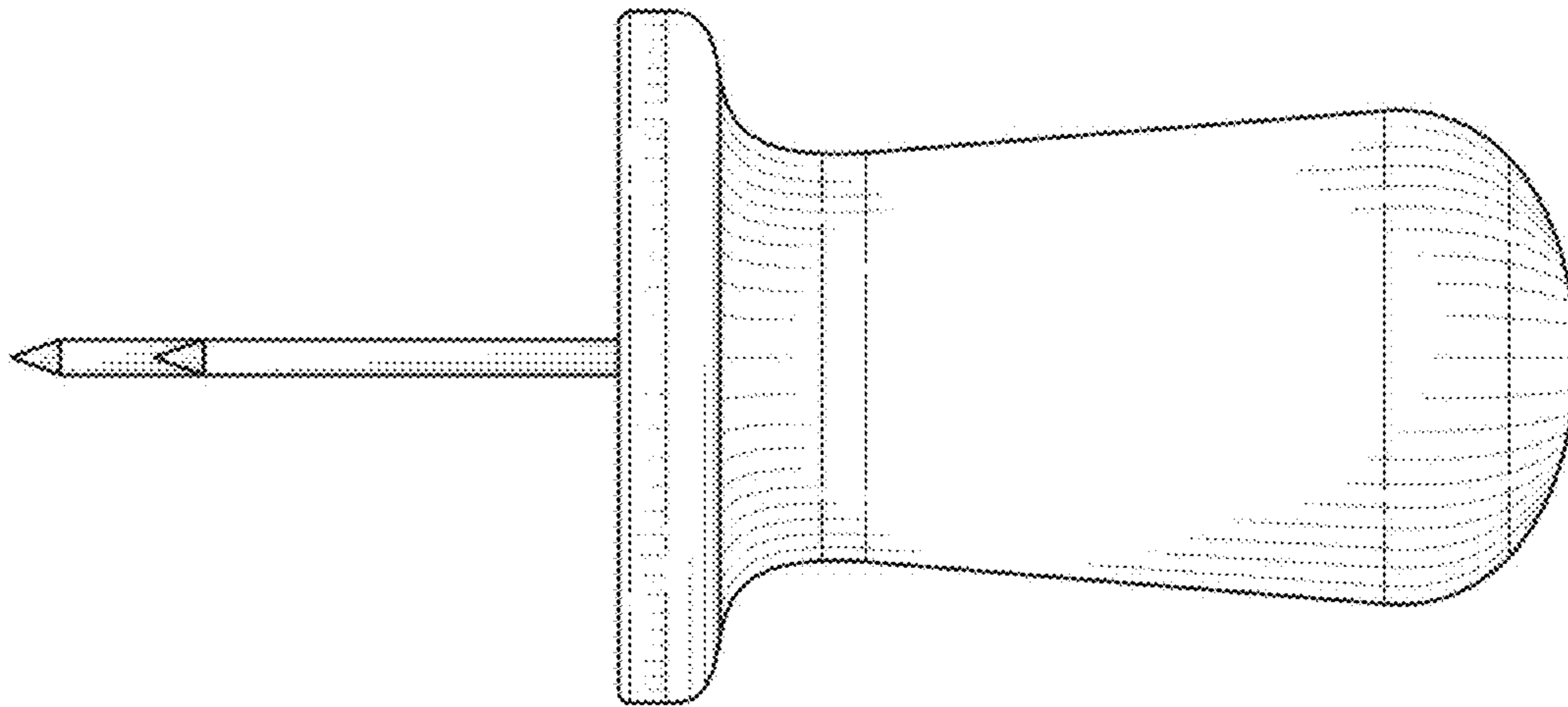


FIG. 3

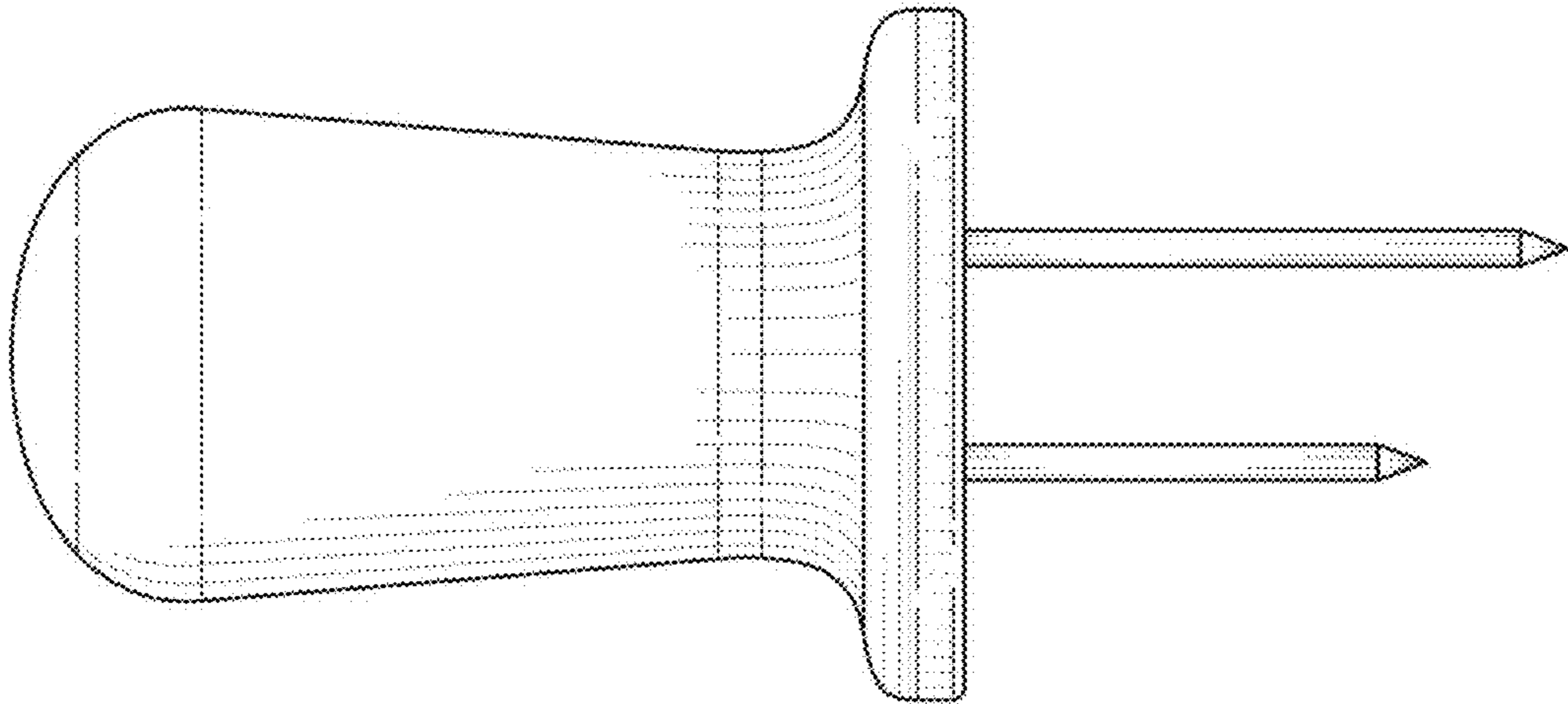


FIG. 4

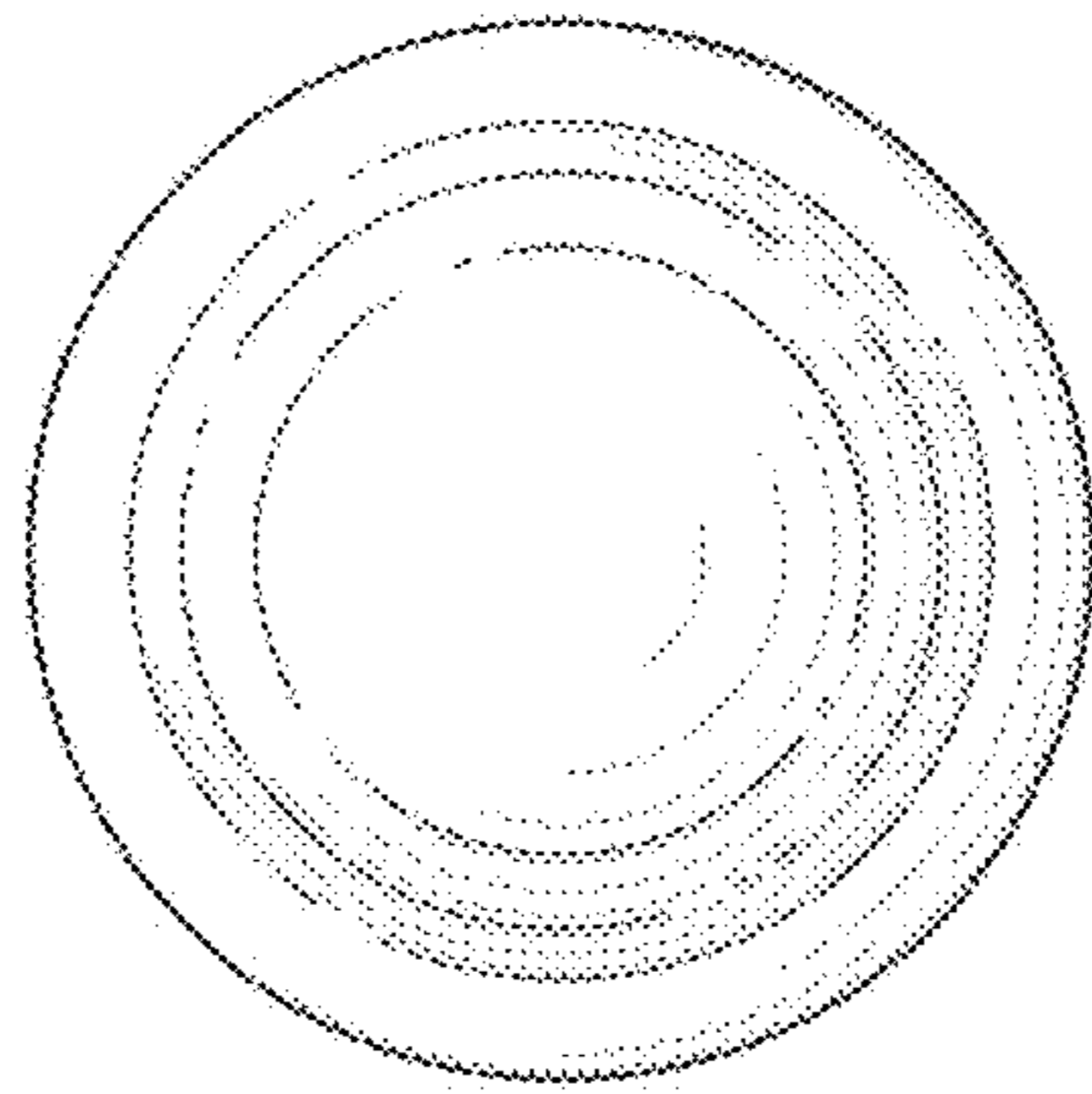


FIG. 5

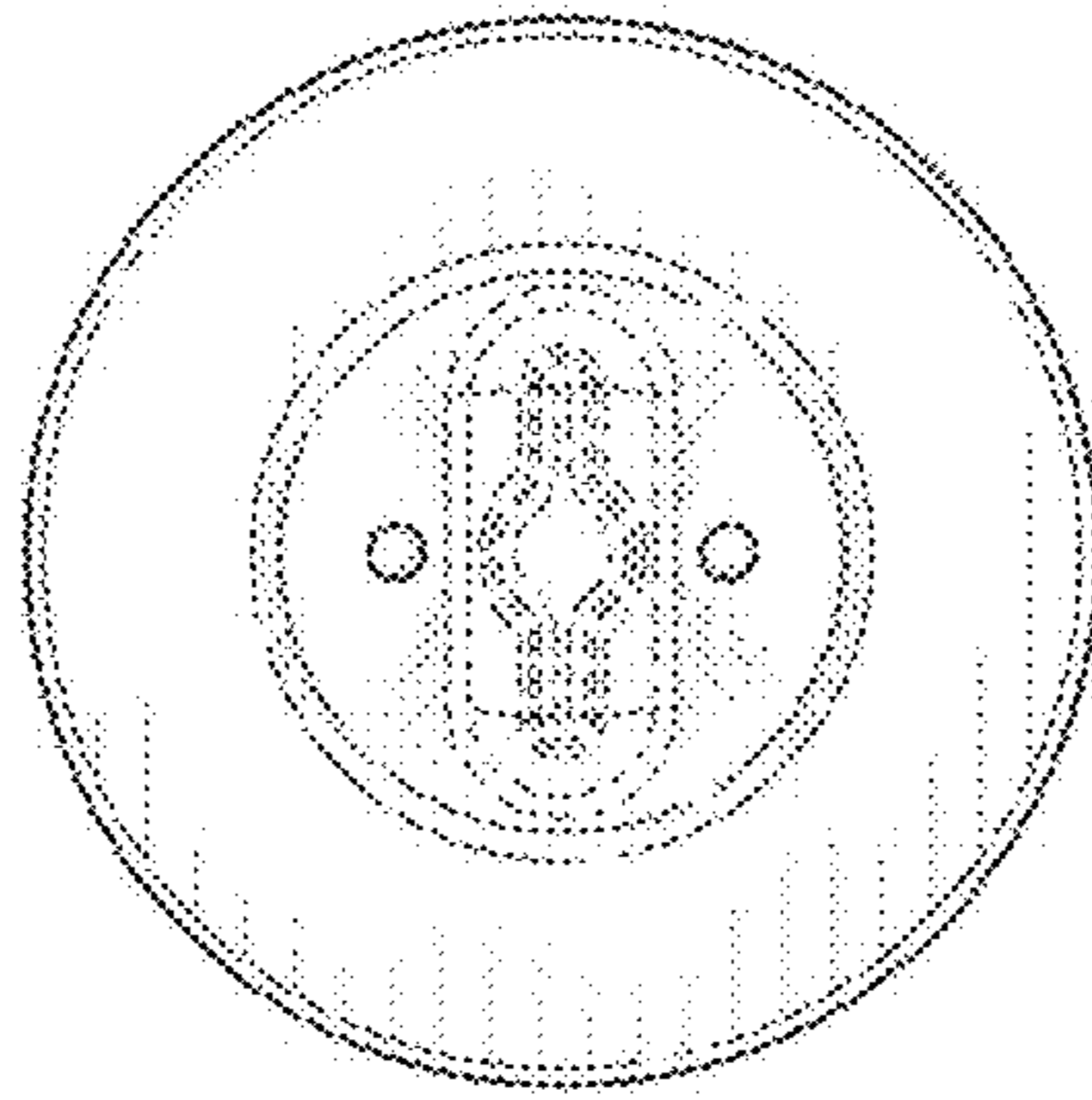


FIG. 6

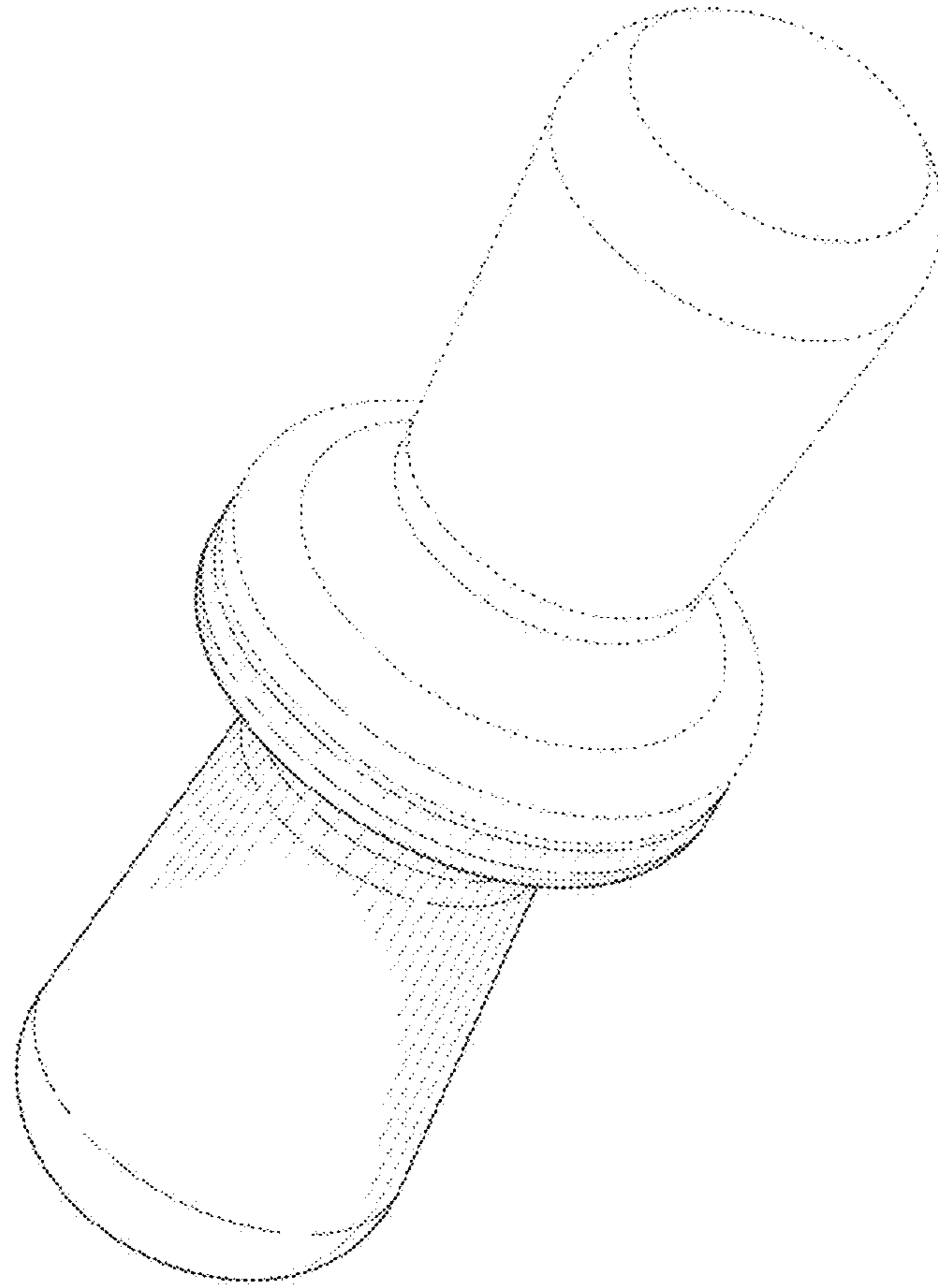


FIG. 7