



US00D891199S

(12) **United States Design Patent** (10) **Patent No.:** **US D891,199 S**
Moskovic et al. (45) **Date of Patent:** **** Jul. 28, 2020**

(54) **UTENSIL REST** 3,685,667 A 8/1972 Bell
3,695,495 A 10/1972 Parsons
4,305,629 A * 12/1981 Friis A47G 21/14
312/204
4,366,998 A 1/1983 Kaiser
D333,238 S * 2/1993 Stead D7/637
D340,606 S * 10/1993 Hubbard D6/567
5,332,106 A 7/1994 Schlotte et al.
D355,554 S * 2/1995 Phelps D6/567
5,472,101 A 12/1995 Ahrens
D366,814 S * 2/1996 Stroecker D7/641
(Continued)

(**) **Term:** **15 Years**
(21) **Appl. No.:** **29/669,505**
(22) **Filed:** **Nov. 8, 2018**

FOREIGN PATENT DOCUMENTS

JP 2003341282 A 12/2003
JP 2018057777 A 4/2018

Related U.S. Application Data

(63) Continuation-in-part of application No. 16/184,120, filed on Nov. 8, 2018, now abandoned.
(51) **LOC (12) Cl.** **07-07**
(52) **U.S. Cl.**
USPC **D7/637**
(58) **Field of Classification Search**
USPC D3/306; D6/566-574; D7/631,
D7/637-641; 211/41.4, 70.7, 85.31,
211/90.03, 106, 126.8, 126.9, 133.2,
211/133.5; 220/485-488, 491; 248/37.3,
248/37.6, 153, 175
CPC . A47B 88/00; A47B 88/20; A47F 7/00; A47F
7/14; A47G 21/00; A47G 21/16; B65D
1/34; B65D 1/36; B65D 21/046; B65D
21/048; G09F 1/14
See application file for complete search history.

OTHER PUBLICATIONS

Hepburn, Joel; Forklift; <https://ottforklift.com>, last retrieved Jul. 2, 2019, Exhibit B.

Primary Examiner — Janice Patyk
(74) *Attorney, Agent, or Firm* — Brie A. Crawford;
Crawford Intellectual Property Law LLC

(57) **CLAIM**

The ornamental design for a utensil rest, as shown and described.

DESCRIPTION

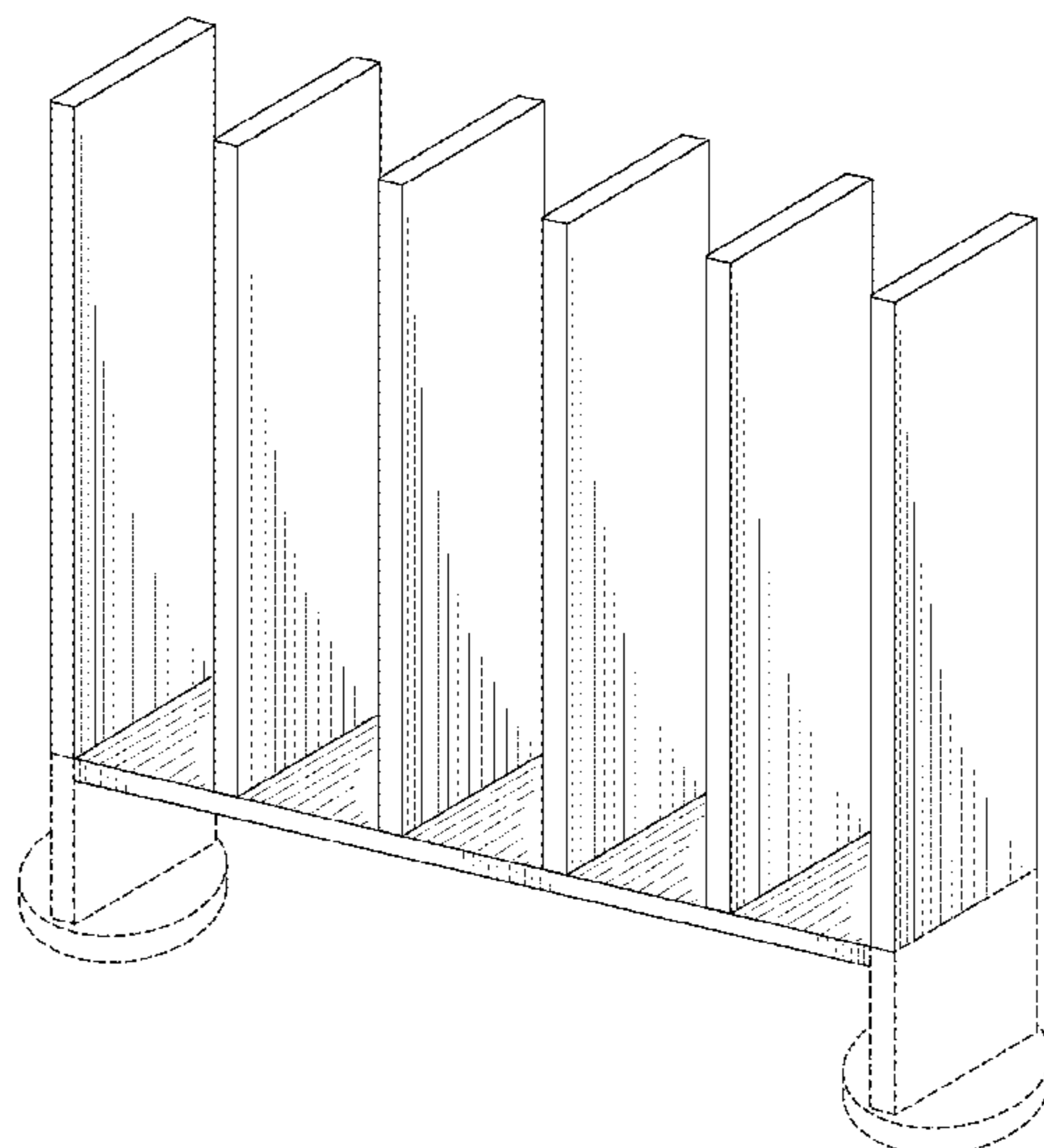
FIG. 1 is a front perspective view of a utensil rest, showing our new design;
FIG. 2 is a front elevational view thereof;
FIG. 3 is a rear elevational view thereof;
FIG. 4 is a left side elevational view thereof;
FIG. 5 is a right side elevational view thereof;
FIG. 6 is a top plan view thereof; and,
FIG. 7 is a bottom plan view thereof.
The broken lines in the figures illustrate the portions of the design that form no part of the claimed design.

1 Claim, 5 Drawing Sheets

(56) **References Cited**

U.S. PATENT DOCUMENTS

1,452,418 A 4/1923 Cunneen
1,886,075 A 11/1932 Zorsch
2,651,927 A 9/1953 Mullins
D178,312 S * 7/1956 Schladermundt D6/683.1
2,845,323 A 7/1958 Seibert, Jr.



(56)

References Cited

U.S. PATENT DOCUMENTS

D367,405 S 2/1996 Bridger
D433,251 S * 11/2000 Blazeovich D6/629
D476,514 S * 7/2003 Chesser D6/707
D485,712 S * 1/2004 Bidwell D6/705.1
D494,394 S * 8/2004 Leong-Son D6/706
6,994,304 B2 2/2006 Kim et al.
7,254,888 B2 * 8/2007 Chu F28F 3/02
165/80.3
7,391,614 B2 * 6/2008 Artman H01L 23/367
165/185
D612,216 S * 3/2010 McQuary D7/637
D642,136 S * 7/2011 Yu D13/179
8,104,588 B2 1/2012 Curlee et al.
D723,875 S 3/2015 Elattrache
D740,619 S * 10/2015 Elliott D7/637
2002/0096481 A1 7/2002 Sutliff
2009/0261049 A1 10/2009 McQuary et al.

* cited by examiner

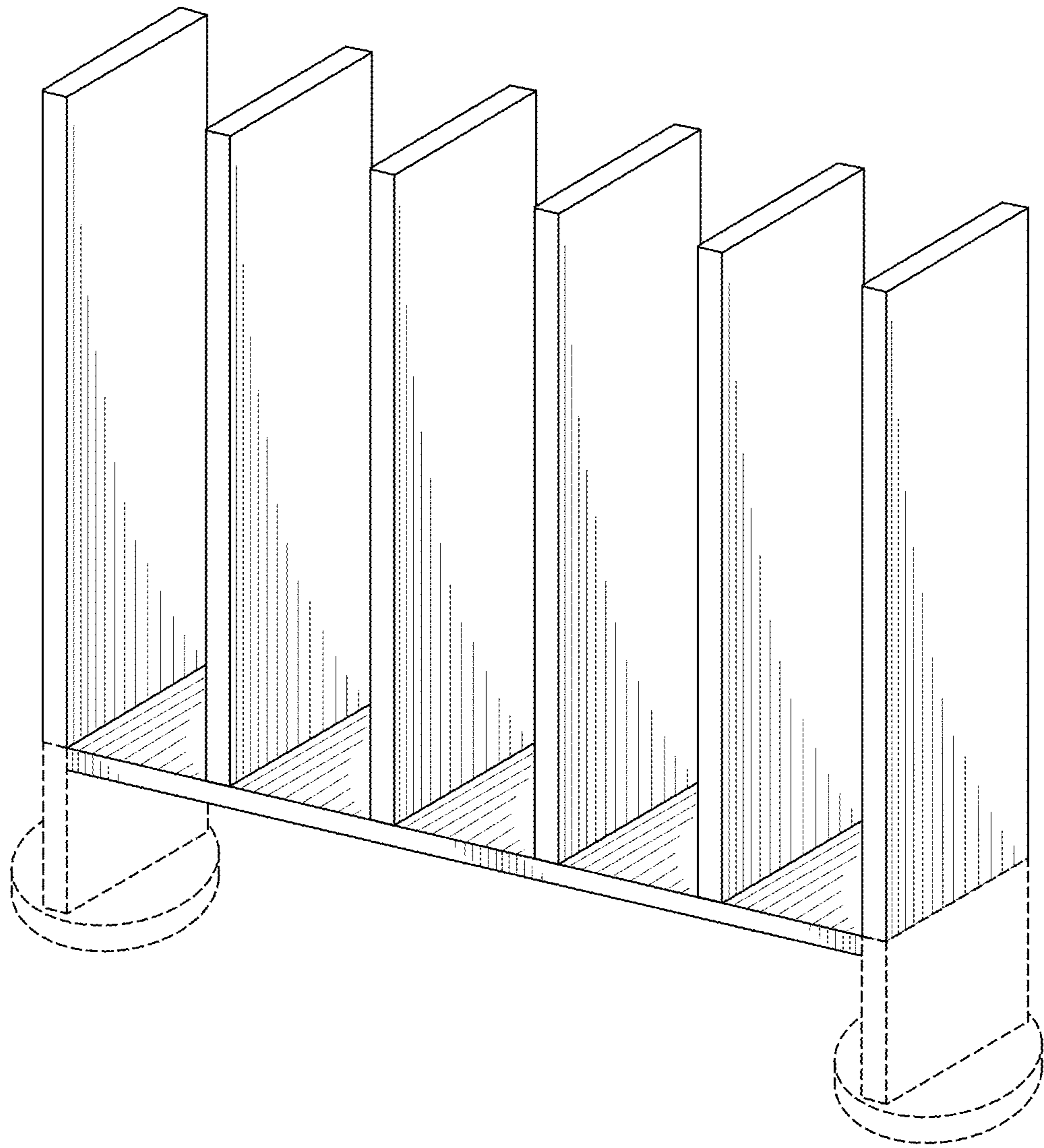


FIG. 1

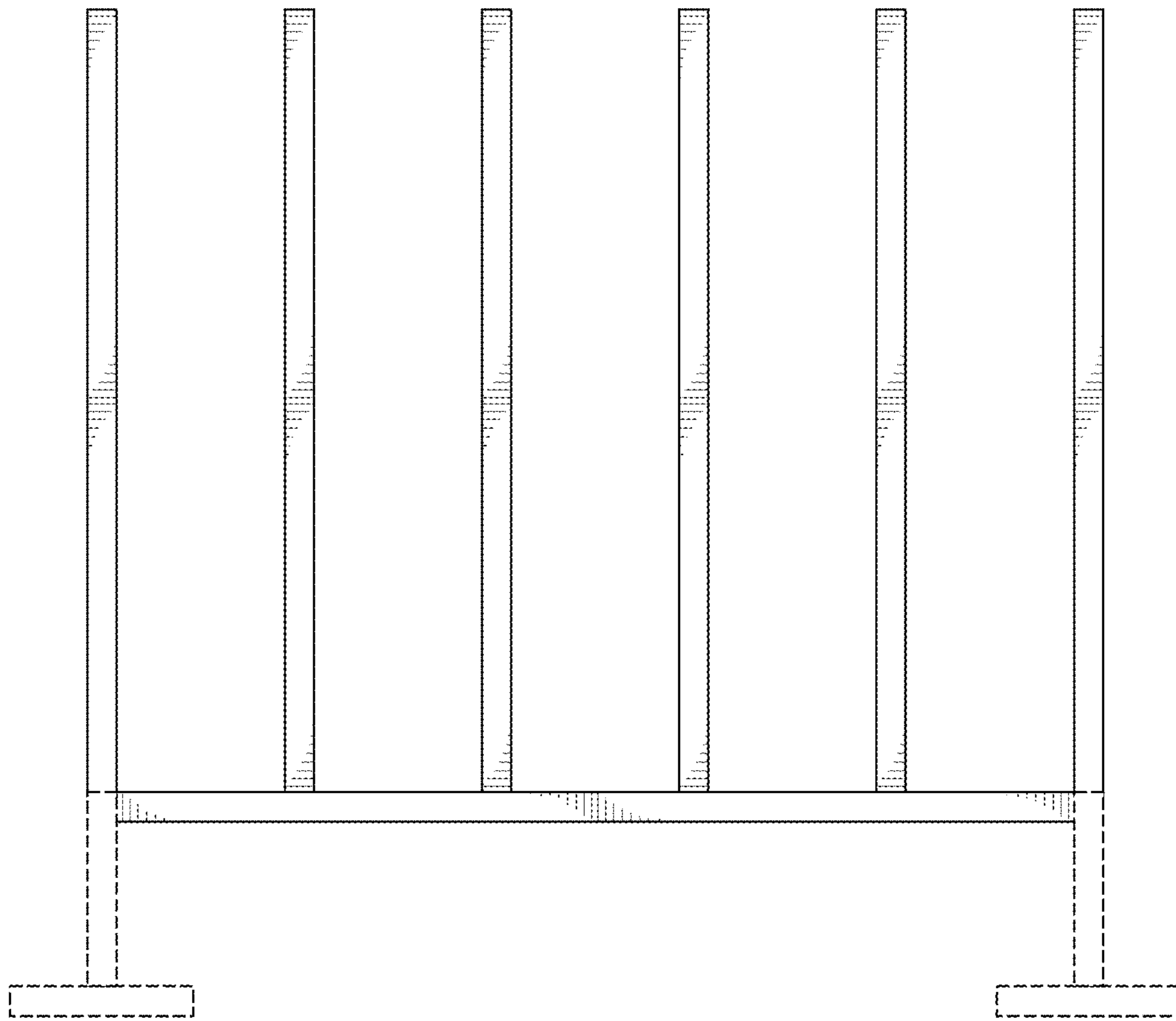


FIG. 2

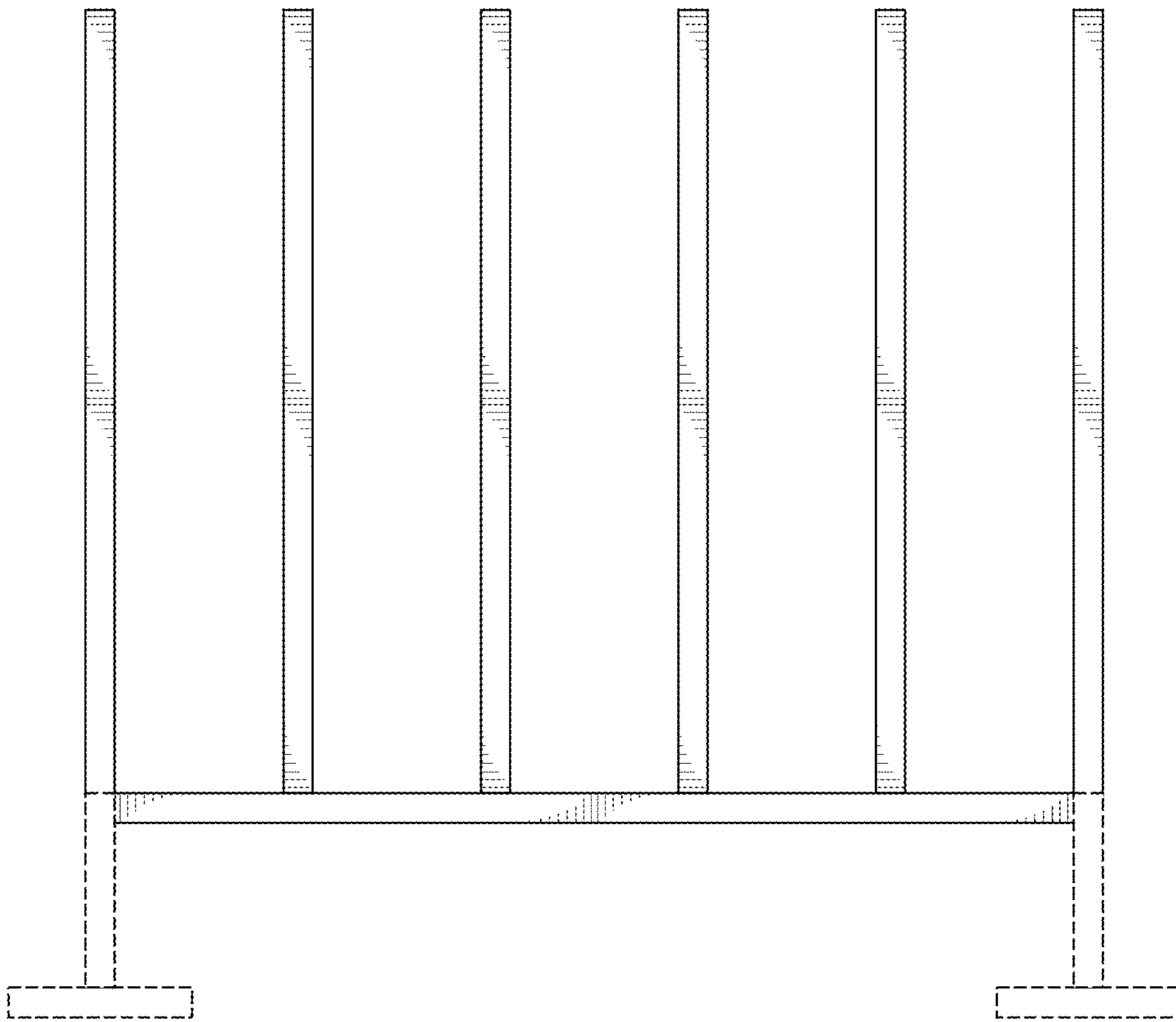


FIG. 3

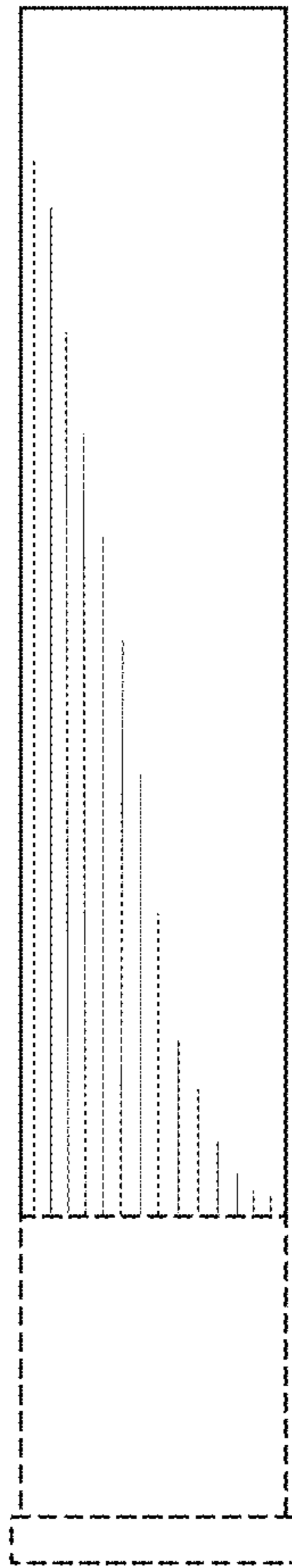


FIG. 4

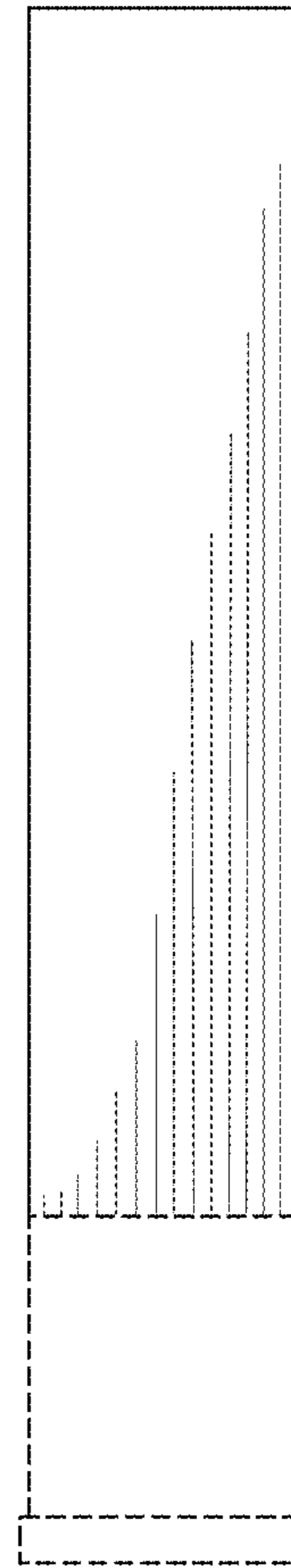


FIG. 5

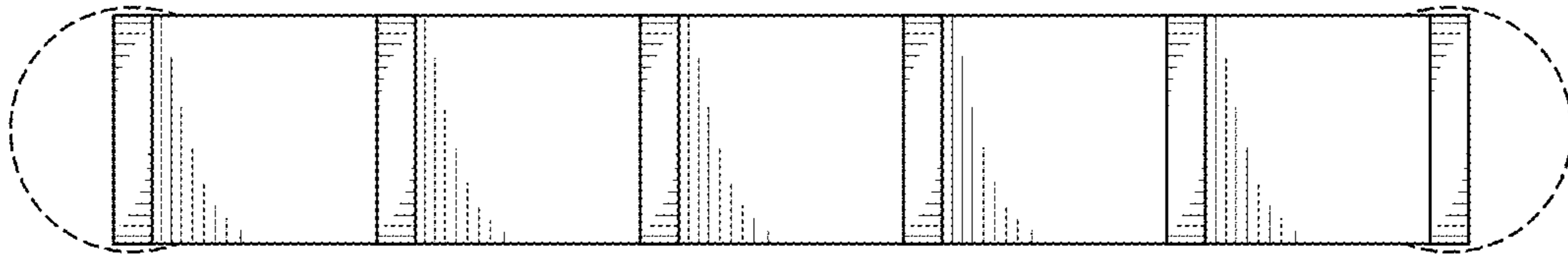


FIG. 6

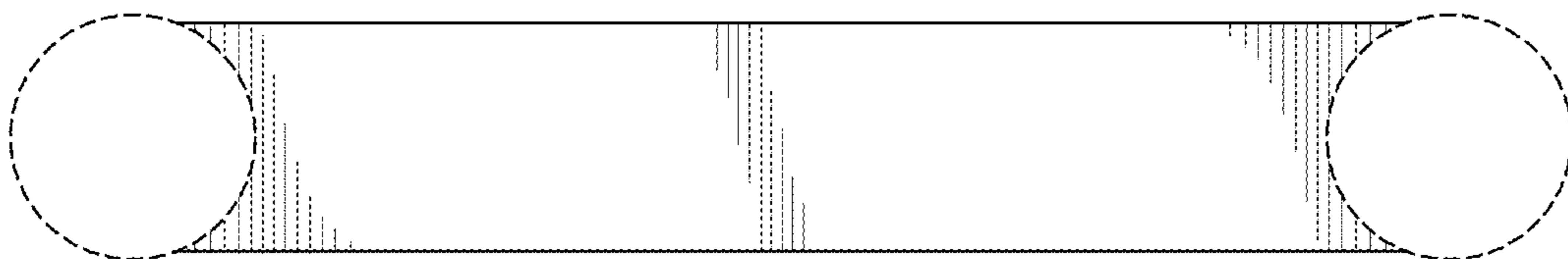


FIG. 7