



US00D891198S

(12) **United States Design Patent** (10) **Patent No.:** **US D891,198 S**
Zhang (45) **Date of Patent:** **** Jul. 28, 2020**

- (54) **CONTAINER**
- (71) Applicant: **Taizhou Nuoke Industry and Trade Co., Ltd.**, Taizhou (CN)
- (72) Inventor: **Sheng Zhang**, Taizhou (CN)
- (73) Assignee: **TAIZHOU NUOKE INDUSTRY AND TRADE CO., LTD.**, Taizhou (CN)
- (**) Term: **15 Years**
- (21) Appl. No.: **29/645,993**
- (22) Filed: **Apr. 30, 2018**
- (30) **Foreign Application Priority Data**
- Jan. 11, 2018 (CN) 2018 3 0012774
- (51) **LOC (12) Cl.** **07-01**
- (52) **U.S. Cl.**
USPC **D7/629**
- (58) **Field of Classification Search**
USPC D7/360, 538-540, 587, 391, 523, 601, D7/602, 629, 354; D9/414, 424, 425, D9/430, 431, 432
CPC ... B65D 1/26; B65D 1/40; B65D 5/00; B65D 5/001; B65D 5/24; B65D 81/34; B65D 81/3453; B65D 2581/34; B65D 2581/3437
See application file for complete search history.

- D770,273 S * 11/2016 Fife D9/425
D826,709 S * 8/2018 Mei D9/426
D830,823 S * 10/2018 Dios D9/426
D837,602 S * 1/2019 Malcolm D7/542
D840,221 S * 2/2019 Lam D9/423
D841,462 S * 2/2019 Kui D9/425
D864,711 S * 10/2019 Chen D9/425

* cited by examiner

Primary Examiner — Derrick E Holland

Assistant Examiner — Andrew Kerr

(74) *Attorney, Agent, or Firm* — Chun-Ming Shih

(57) **CLAIM**

The ornamental design for a container, as shown and described.

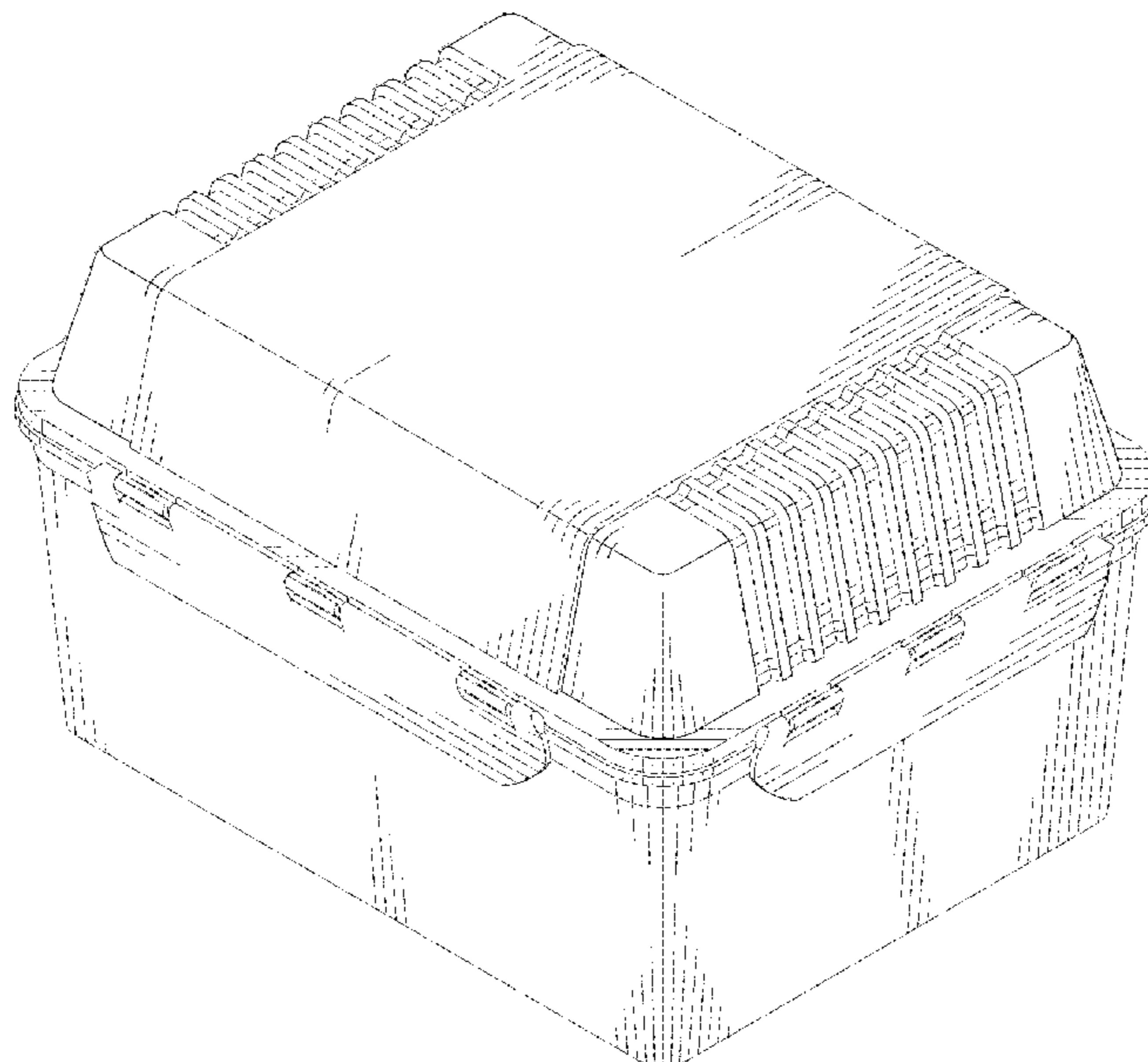
DESCRIPTION

FIG. 1 is a perspective view of a first embodiment of container, showing my design;
FIG. 2 is a front elevational view of FIG. 1;
FIG. 3 is a rear elevational view of FIG. 1;
FIG. 4 is a left side elevational view of FIG. 1;
FIG. 5 is a right side elevational view of FIG. 1;
FIG. 6 is a top plan view of FIG. 1;
FIG. 7 is a bottom plan view of FIG. 1;
FIG. 8 is a perspective view of a second embodiment of container, showing my design;
FIG. 9 is a front elevational view of FIG. 8;
FIG. 10 is a rear elevational view of FIG. 8;
FIG. 11 is a left side elevational view of FIG. 8;
FIG. 12 is a right side elevational view of FIG. 8;
FIG. 13 is a top plan view of FIG. 8; and,
FIG. 14 is a bottom plan view of FIG. 8.

All the Drawings are presented in the normal black and white colors. The broken lines in the drawings illustrate portions of the container that form no part of the claimed design.

1 Claim, 14 Drawing Sheets

- (56) **References Cited**
- U.S. PATENT DOCUMENTS
- D316,146 S * 4/1991 Payne D24/127
5,046,659 A * 9/1991 Warburton B65D 43/162
220/4.21
D573,015 S * 7/2008 Chen D9/425
D633,332 S * 3/2011 Sarnoff D7/354
D688,551 S * 8/2013 Wahl D7/602



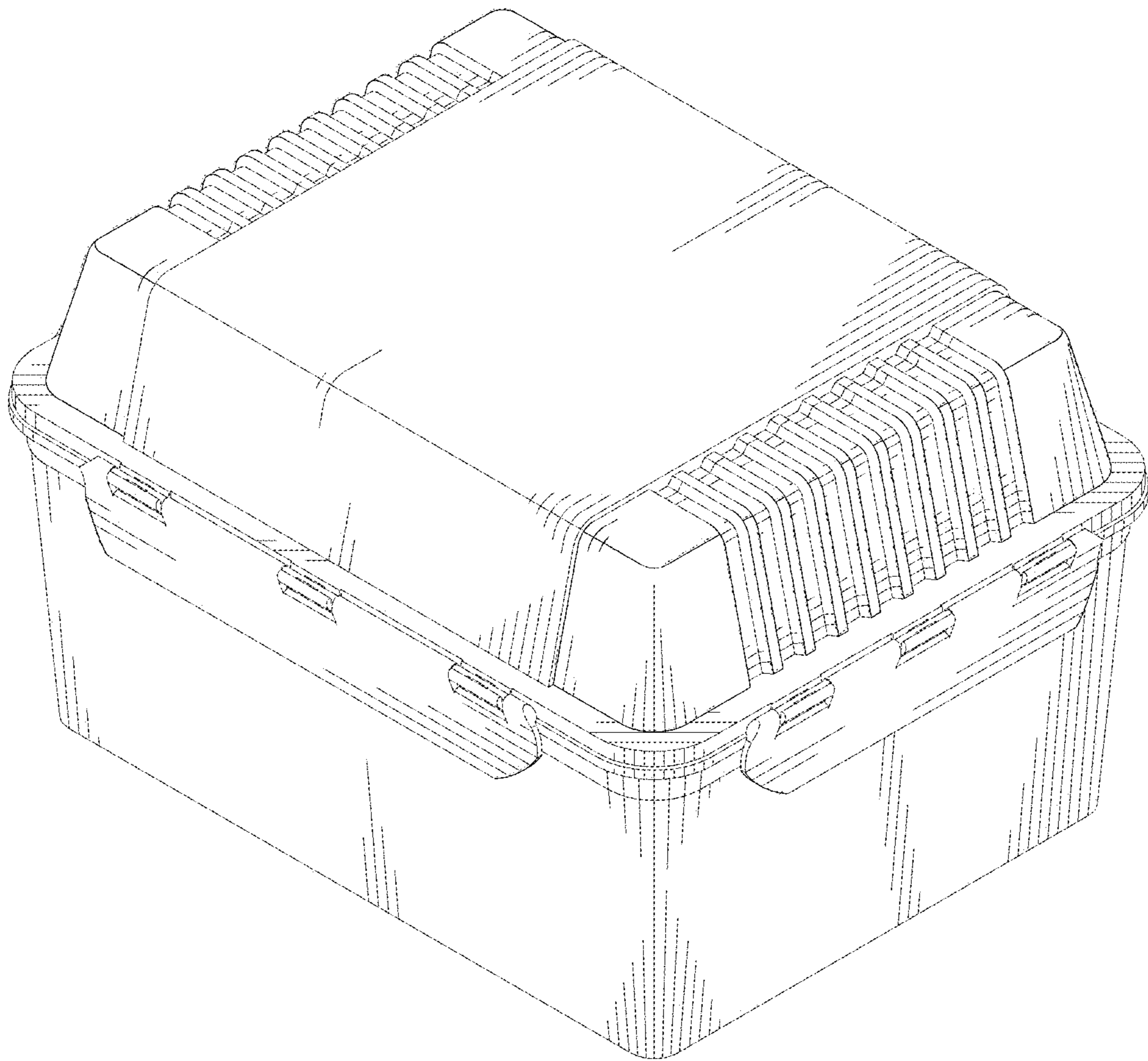


FIG. 1

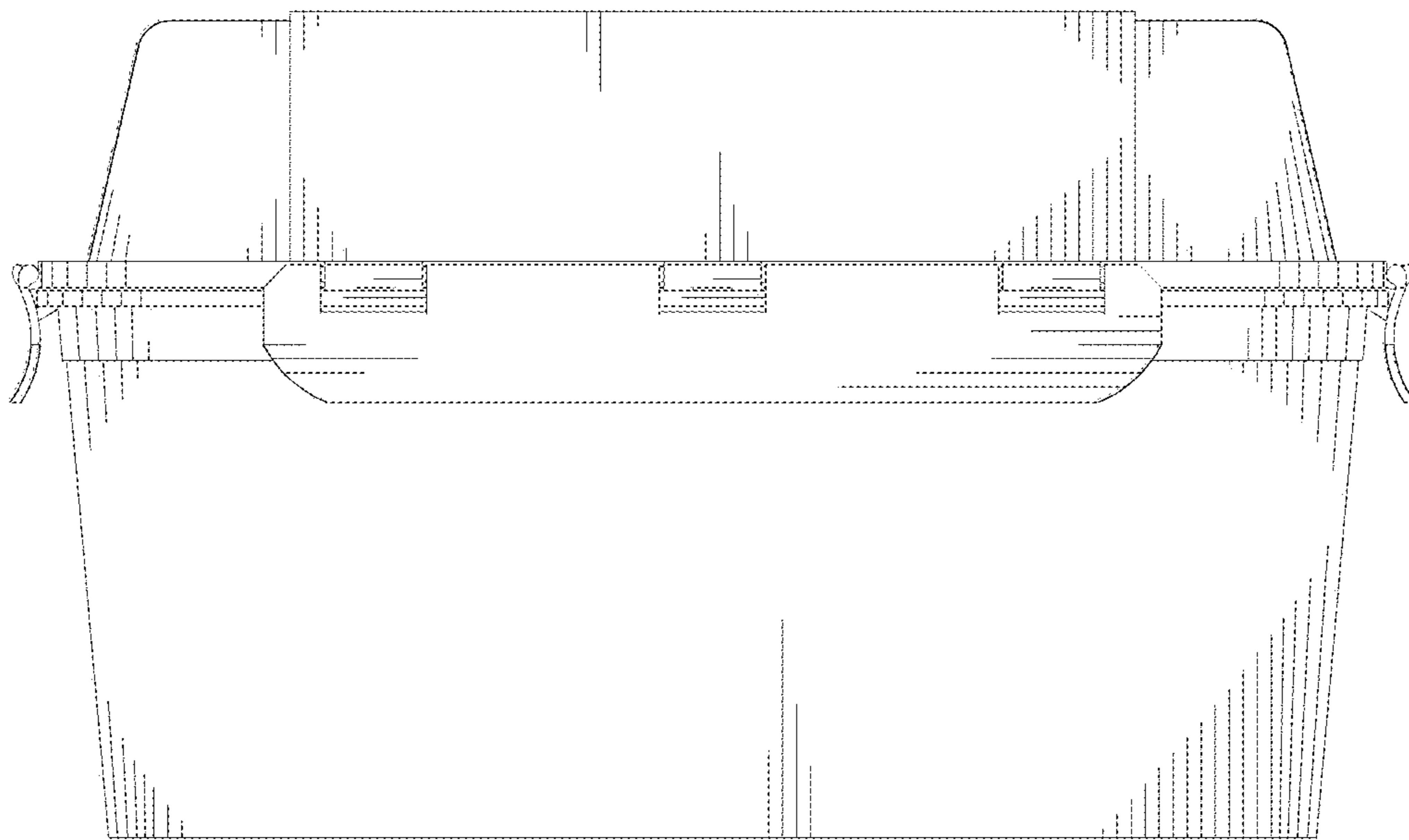


FIG.2

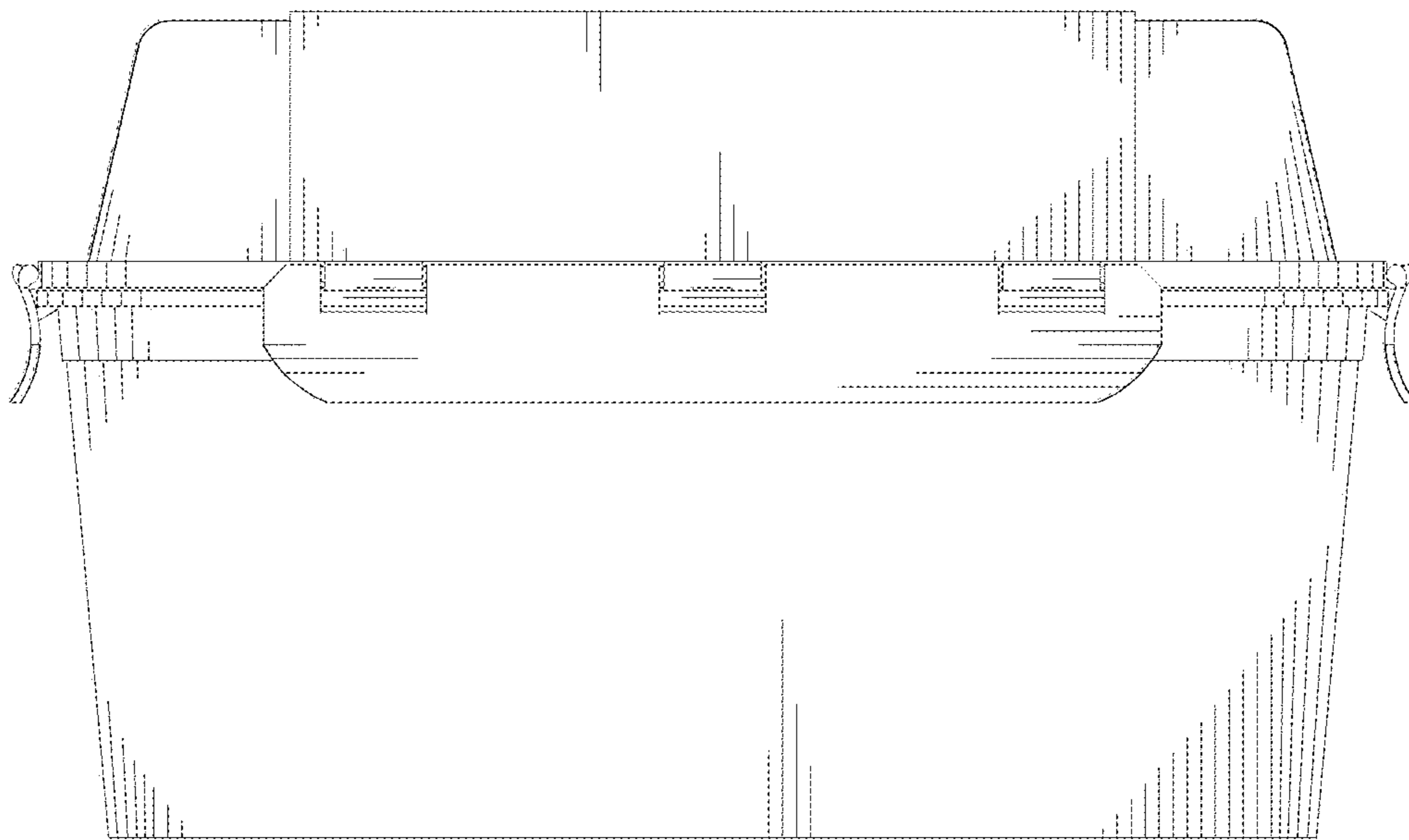


FIG.3

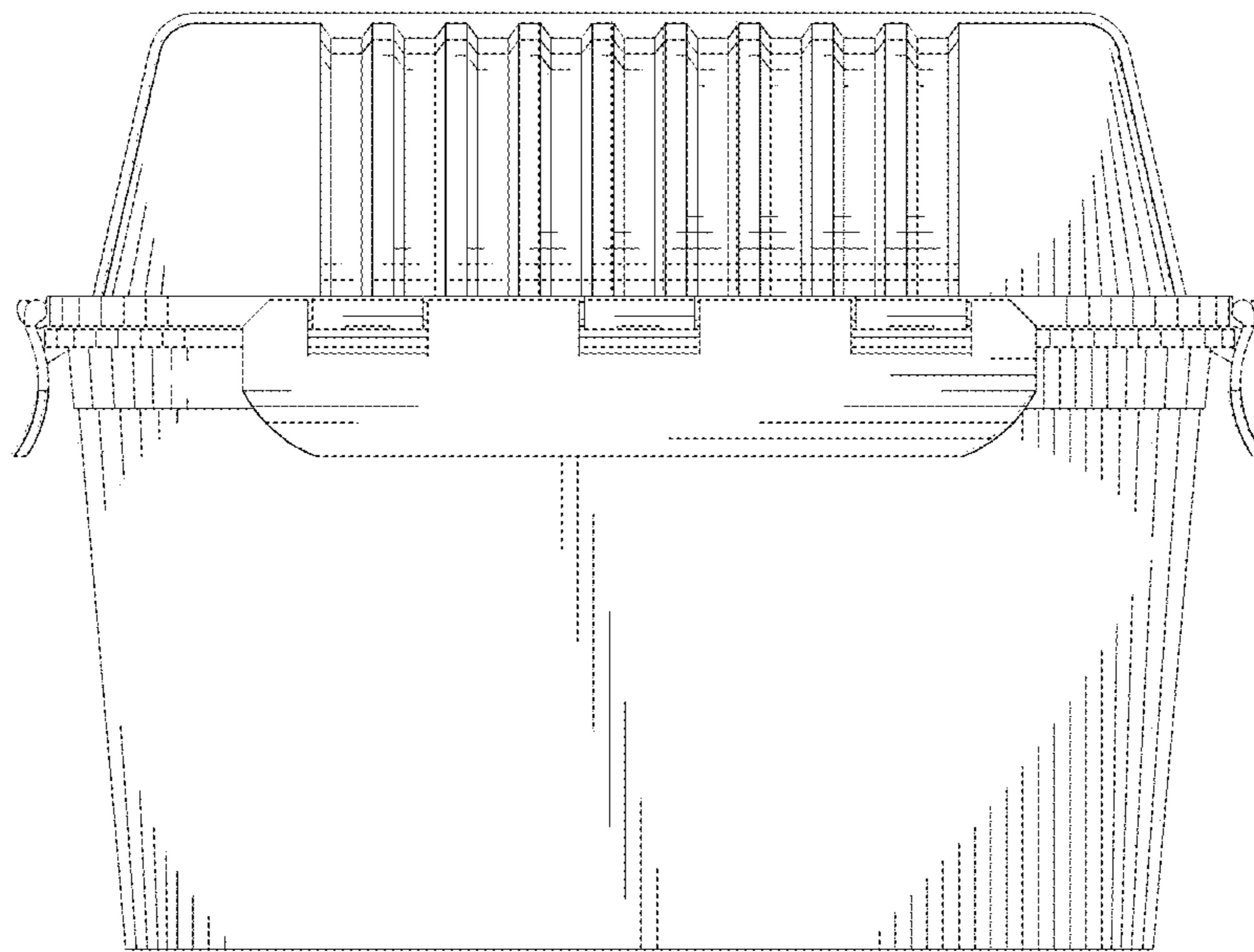


FIG.4

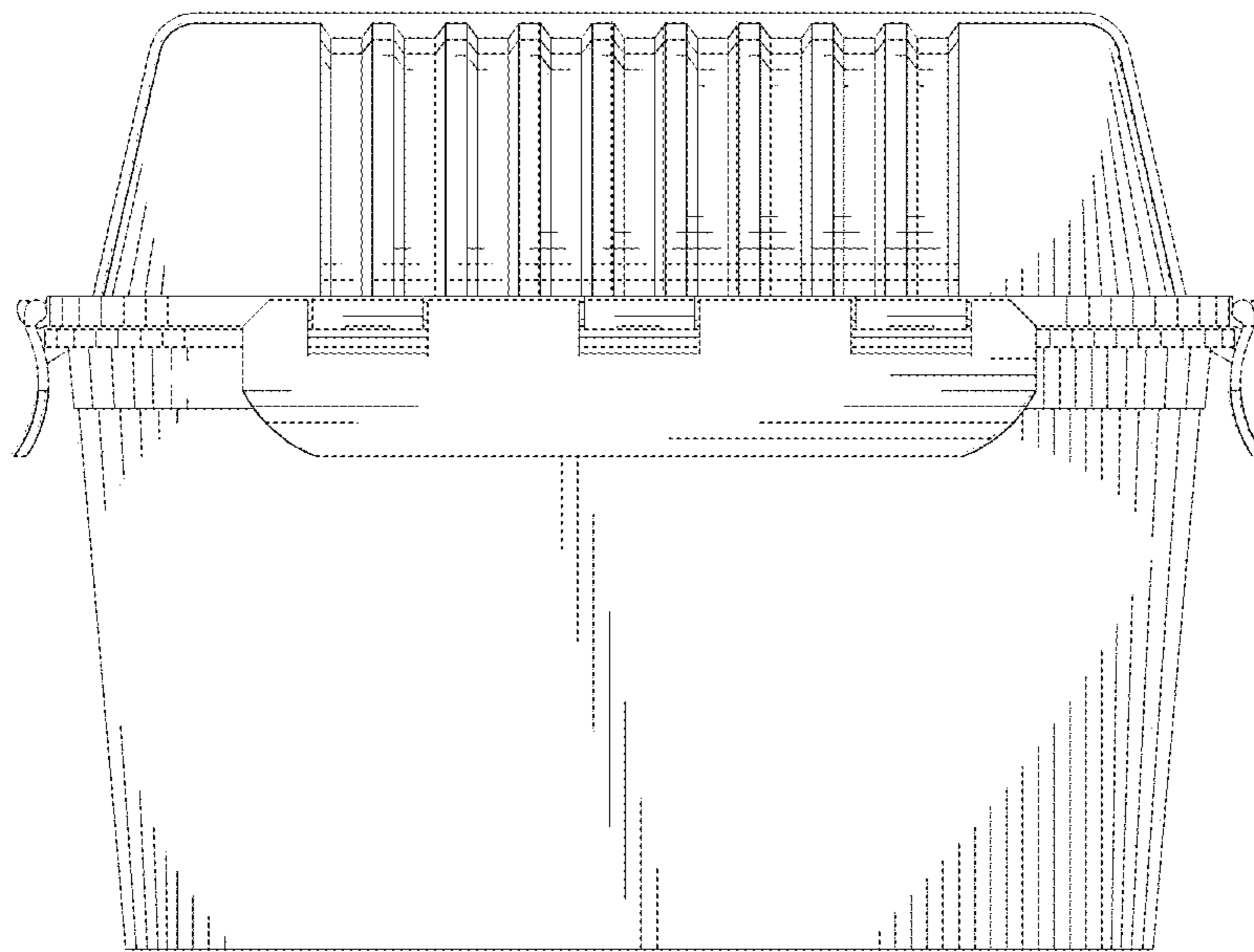


FIG.5

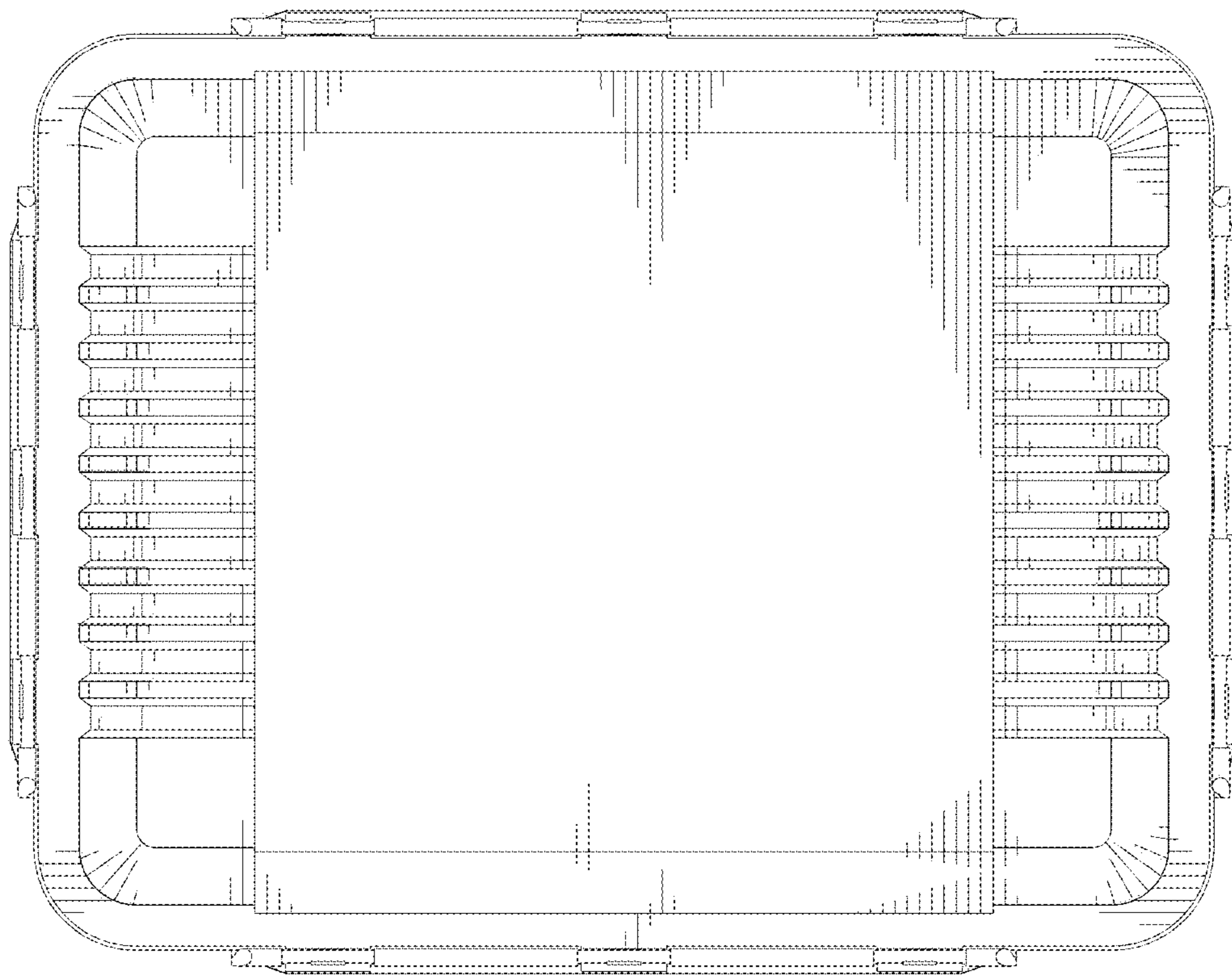


FIG.6

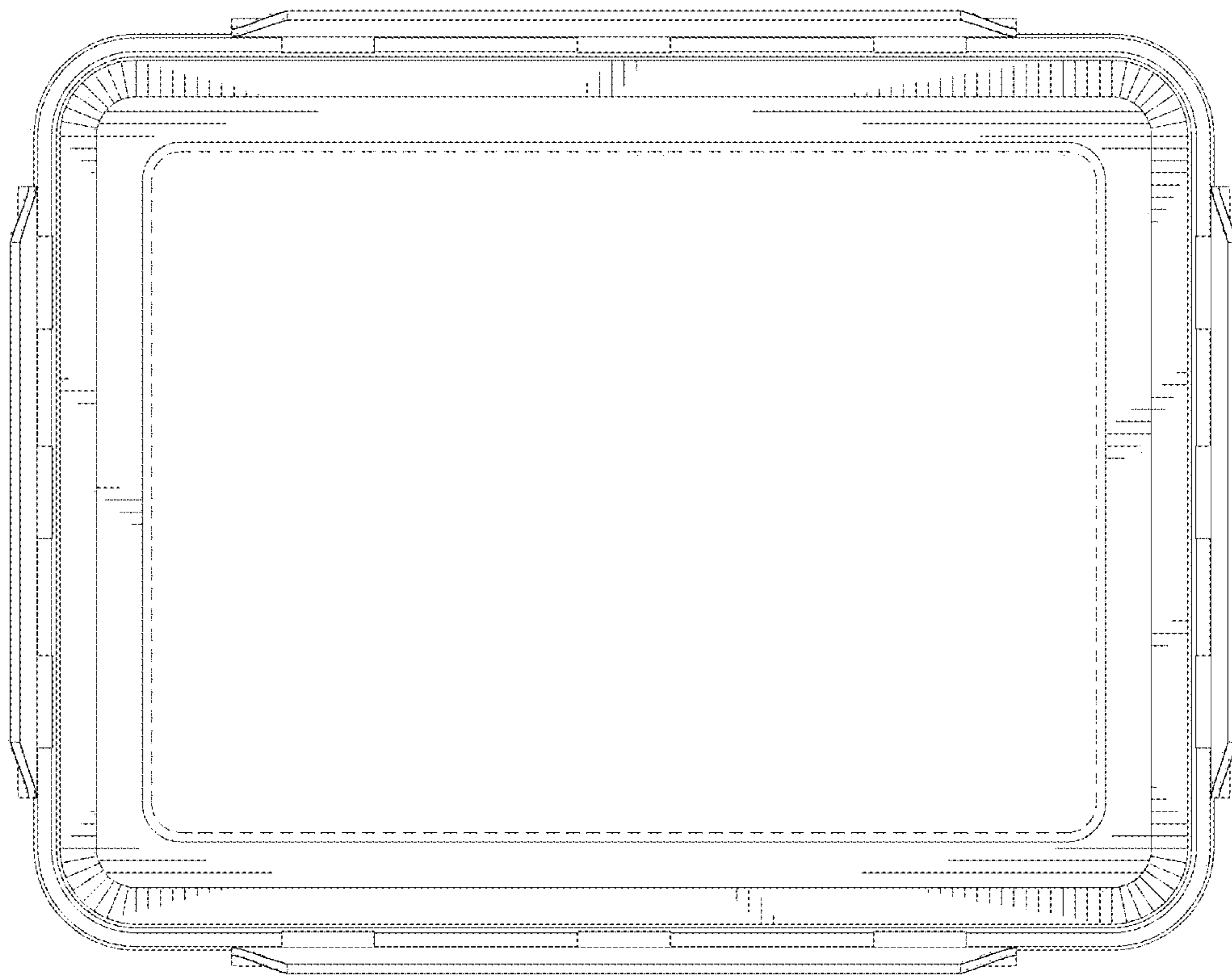


FIG. 7

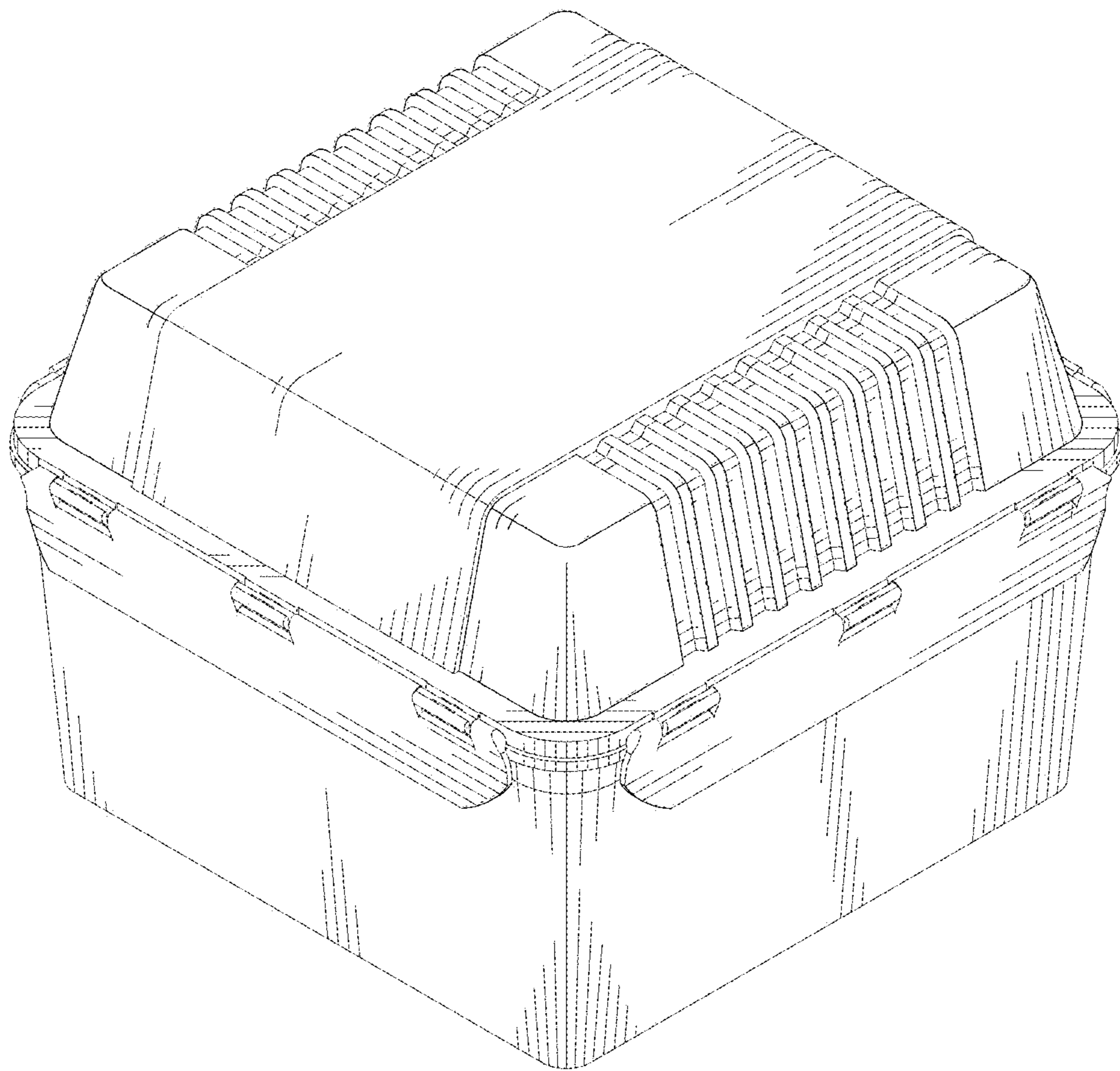


FIG.8

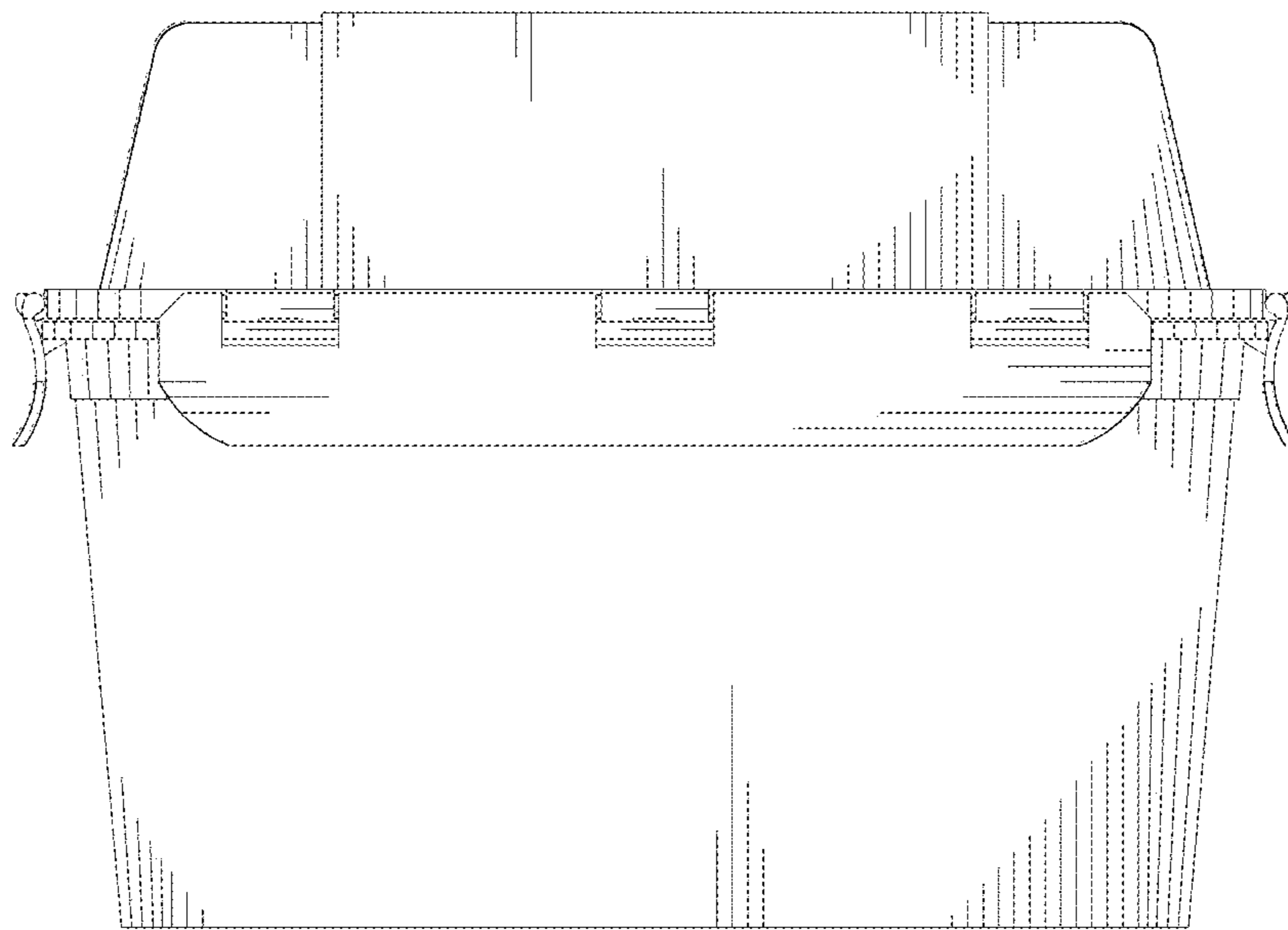


FIG.9

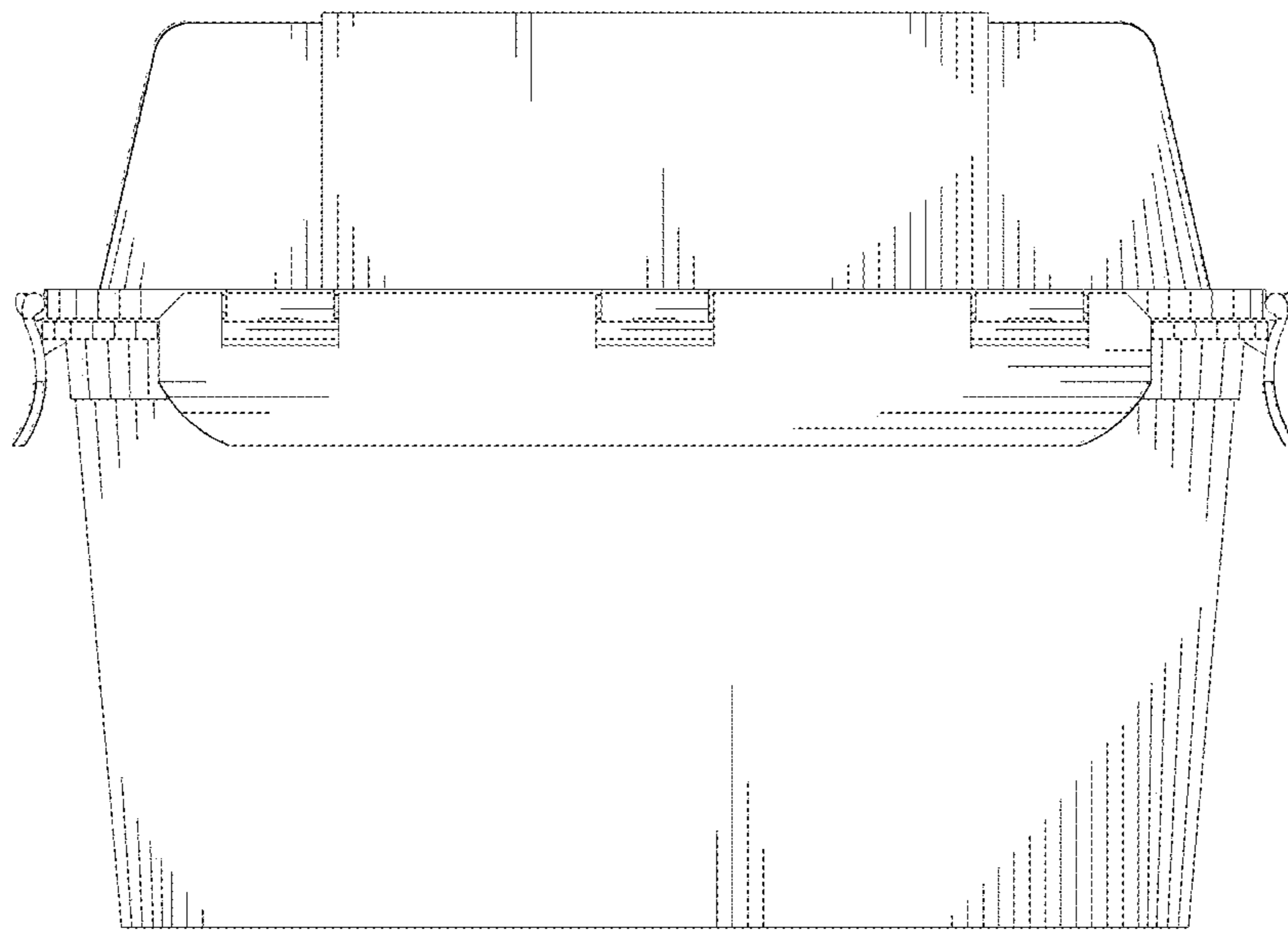


FIG. 10

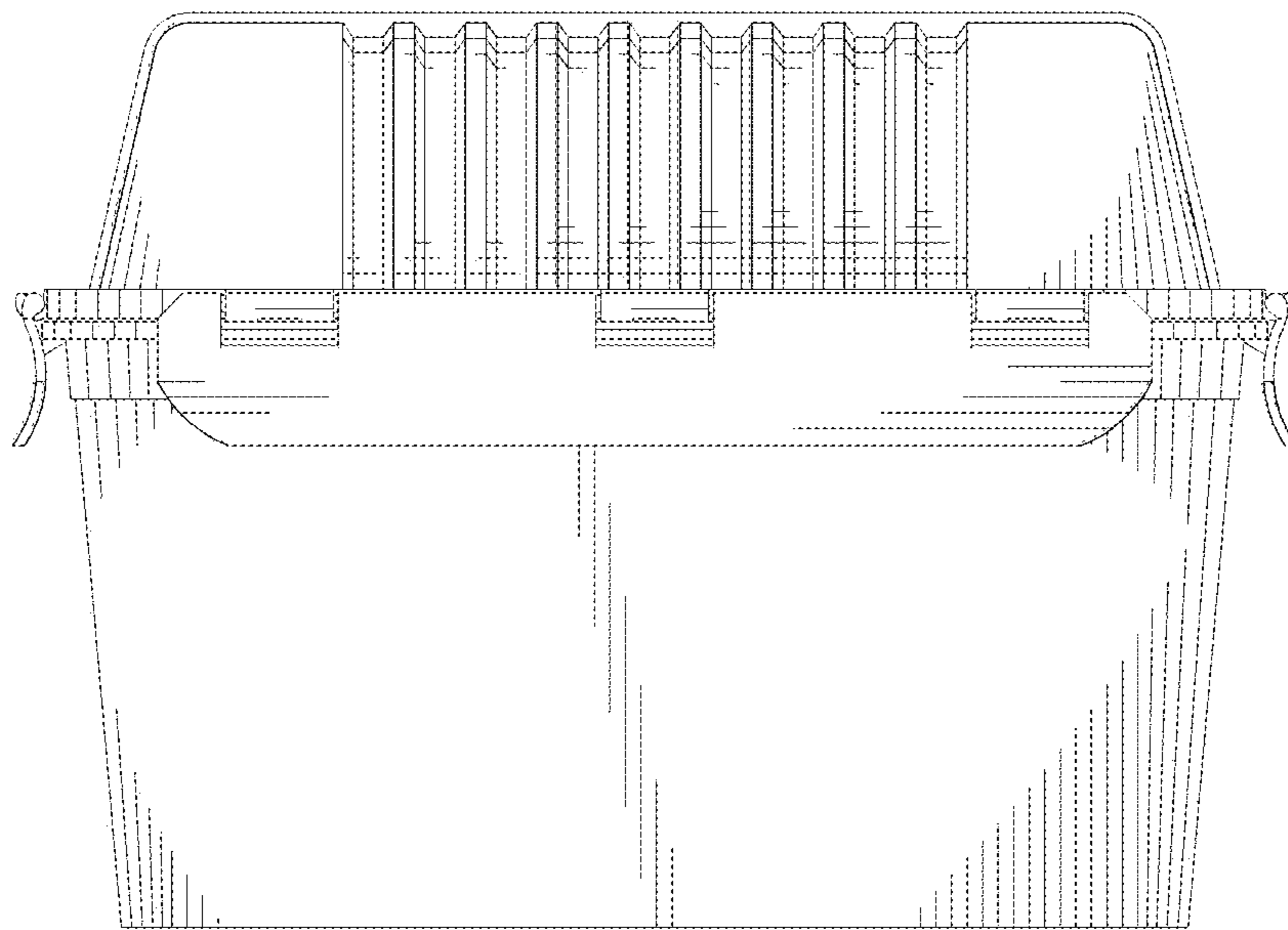


FIG. 11

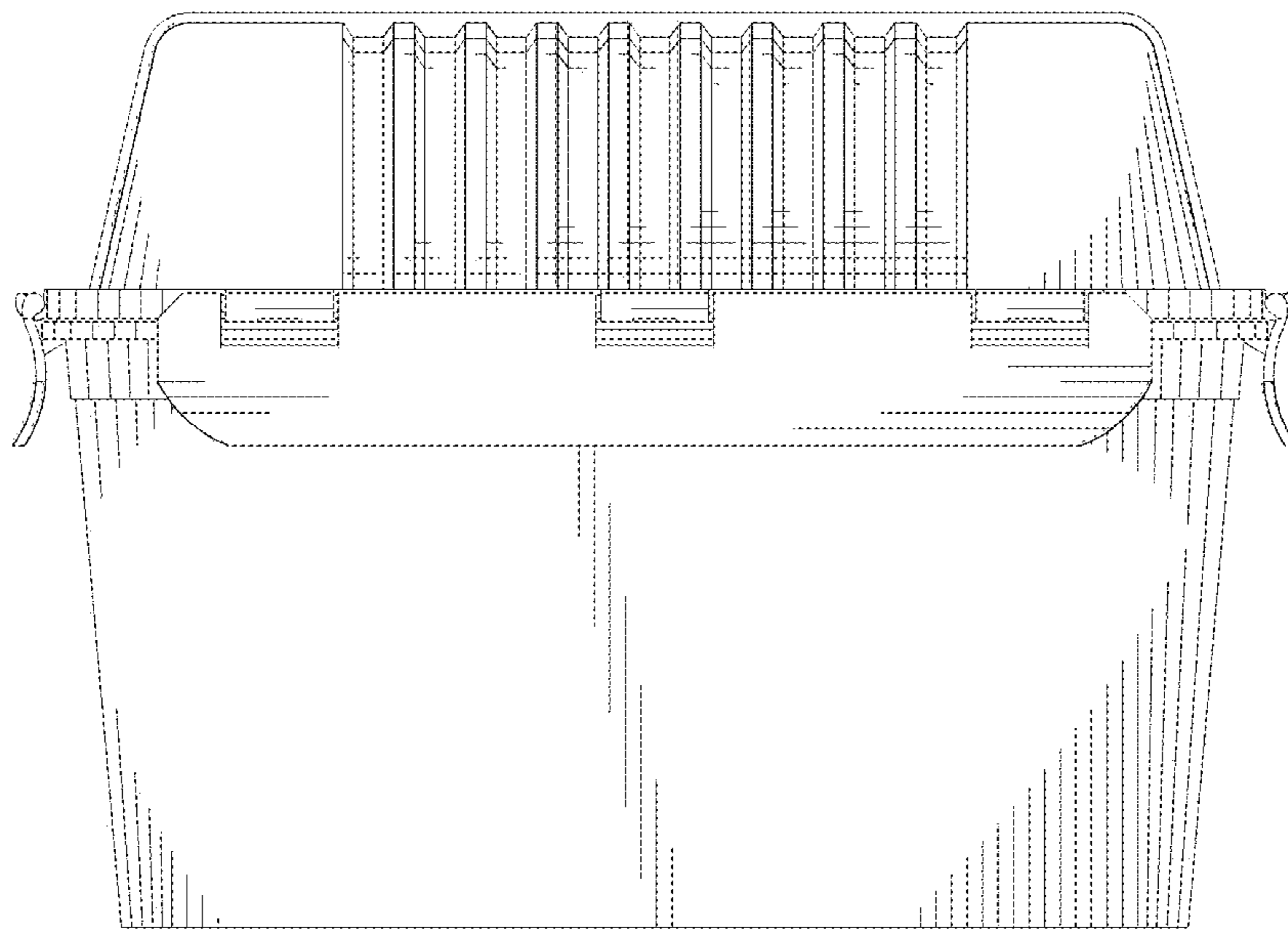


FIG. 12

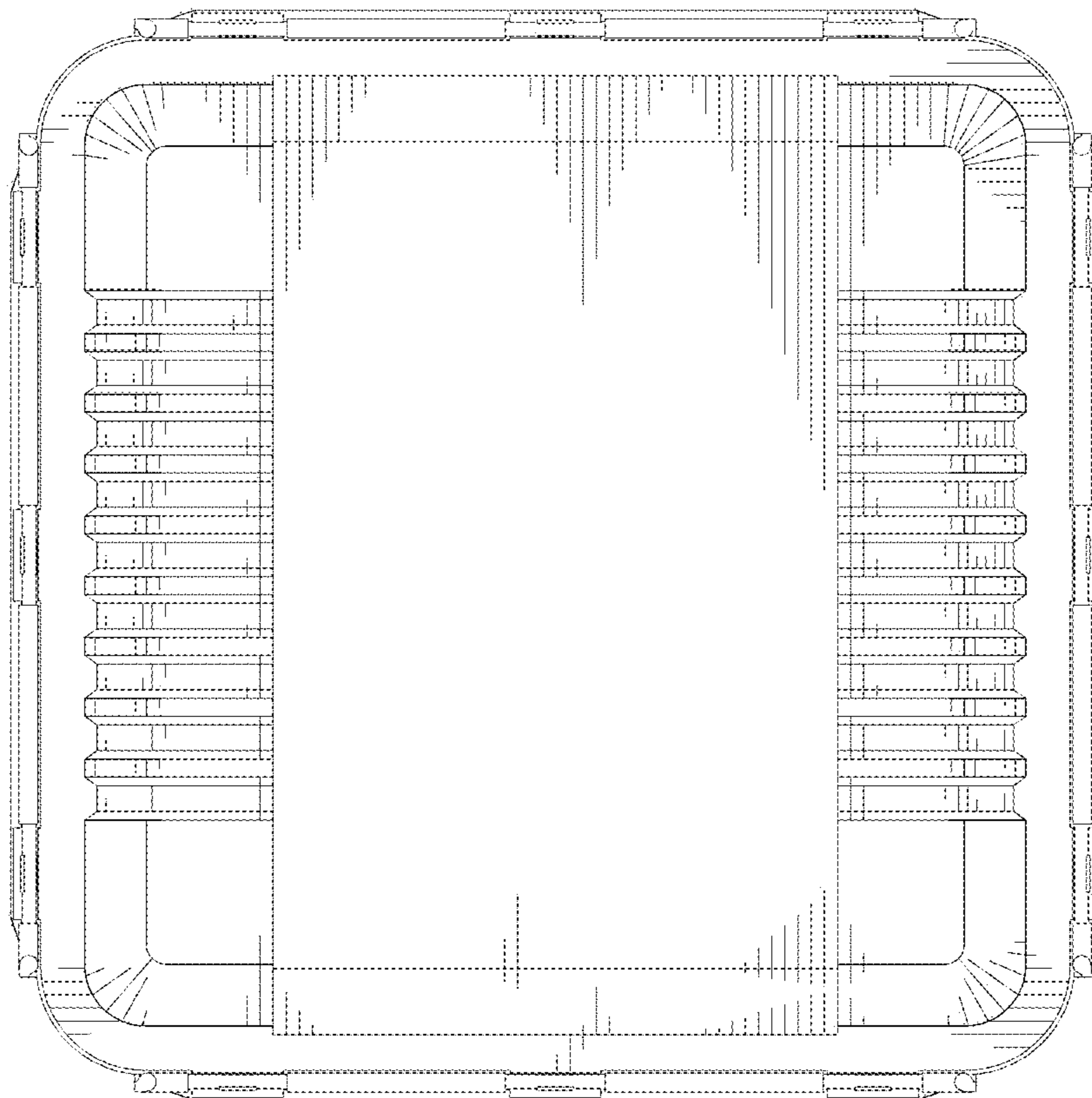


FIG. 13

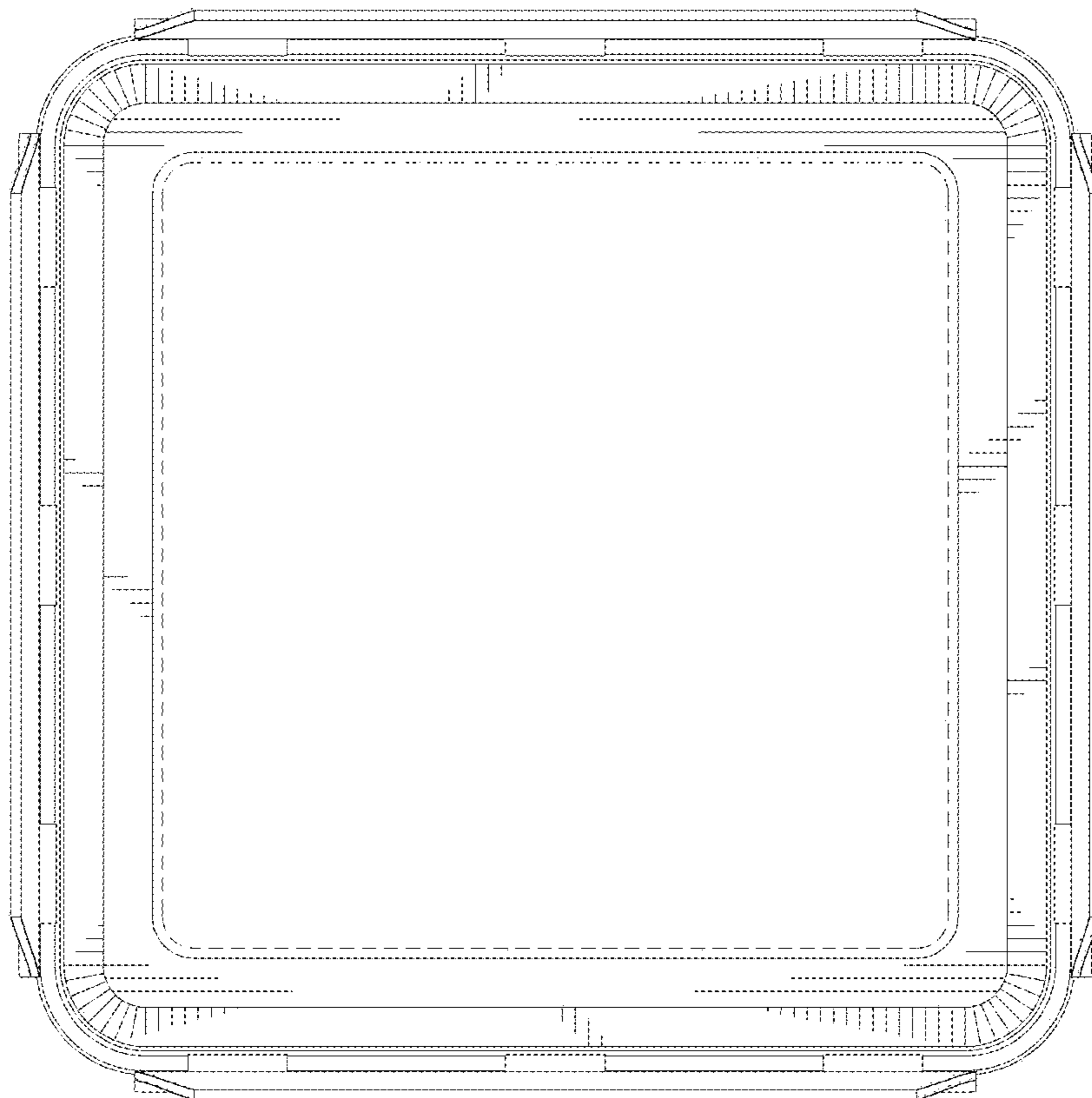


FIG. 14