



US00D891197S

(12) **United States Design Patent**  
**Campion**

(10) **Patent No.:** **US D891,197 S**

(45) **Date of Patent:** **\*\* Jul. 28, 2020**

(54) **PORTABLE SUCTION CUP HOLDER**

(71) Applicant: **Amy Campion**, Hampton Bay, NY  
(US)

(72) Inventor: **Amy Campion**, Hampton Bay, NY  
(US)

(\*\*) Term: **15 Years**

(21) Appl. No.: **29/690,664**

(22) Filed: **May 9, 2019**

(51) **LOC (12) Cl.** ..... **09-03**

(52) **U.S. Cl.**  
USPC ..... **D7/620**

(58) **Field of Classification Search**  
USPC ..... D7/500, 584, 602, 600.4, 601, 605, 607,  
D7/608, 619.1, 620, 622, 624.1, 624.2,  
D7/624.3, 701, 704; D8/373; D6/526  
CPC ..... A47G 23/02; A47G 23/0216; A47G  
23/0225; A47G 7/044; A47B 73/004;  
A47F 7/021; B01L 9/06; B60N 3/103;  
B60N 3/102

See application file for complete search history.

(56) **References Cited**

**U.S. PATENT DOCUMENTS**

- D162,127 S \* 2/1951 Chicorel ..... D7/701
- D191,444 S \* 10/1961 Schwartz et al. .... D7/620
- 3,257,092 A \* 6/1966 Blundell ..... A47G 23/03  
248/346.11
- D244,821 S \* 6/1977 Pomerantz ..... D7/624.1
- D331,174 S \* 11/1992 Polski ..... D7/621
- D350,456 S \* 9/1994 Linder ..... D7/620
- D371,735 S \* 7/1996 Motta ..... D6/535
- D441,236 S \* 5/2001 Gottwald ..... D6/540
- D540,669 S \* 4/2007 George ..... D7/392.1
- D707,496 S \* 6/2014 Dorn ..... D7/619.1
- 9,254,053 B2 \* 2/2016 Arzumanyan ..... G09F 23/08

- D823,071 S \* 7/2018 Woods ..... A47G 23/0313  
D7/624.1
- D828,115 S \* 9/2018 Erickson ..... D7/624.1
- D871,166 S \* 12/2019 DeBoer ..... D7/624.1

\* cited by examiner

*Primary Examiner* — Karen S Acker

*Assistant Examiner* — Steven B Reinholdt, Jr.

(74) *Attorney, Agent, or Firm* — The Rapacke Law Group  
P.A.

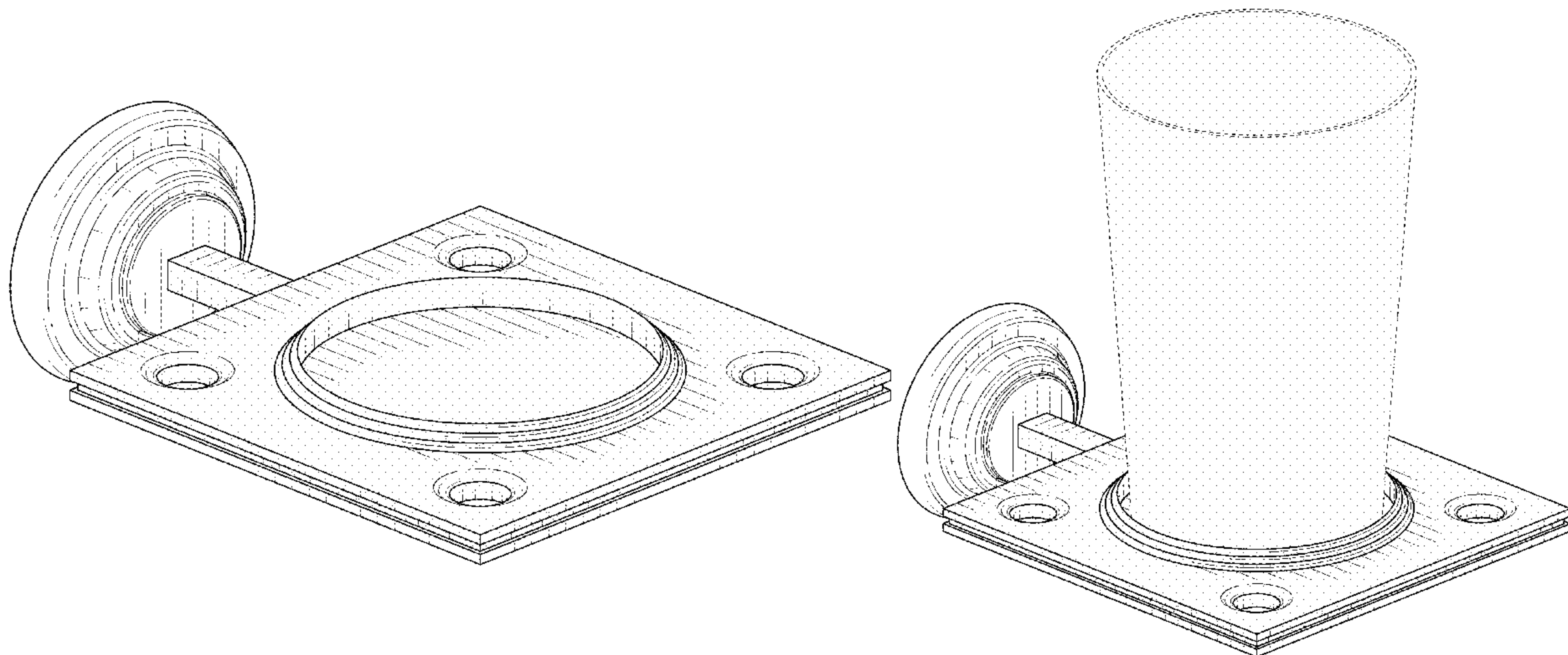
(57) **CLAIM**

The ornamental design for a portable suction cup holder, as shown and described.

**DESCRIPTION**

FIG. 1 is a perspective view of the portable suction cup holder showing the new design;  
 FIG. 2 is a front elevational view of the portable suction cup holder thereof;  
 FIG. 3 is a rear elevational view of the portable suction cup holder thereof;  
 FIG. 4 is a left side elevational view of the portable suction cup holder thereof;  
 FIG. 5 is a right side elevational view of the portable suction cup holder thereof;  
 FIG. 6 is a top plan view of the portable suction cup holder thereof;  
 FIG. 7 is a bottom plan view of the portable suction cup holder thereof; and,  
 FIG. 8 is a perspective view of the portable suction cup holder thereof in a use configuration with environment.  
 The broken lines in FIG. 8 illustrate environmental subject matter of a cup that forms no part of the claimed design.

**1 Claim, 6 Drawing Sheets**



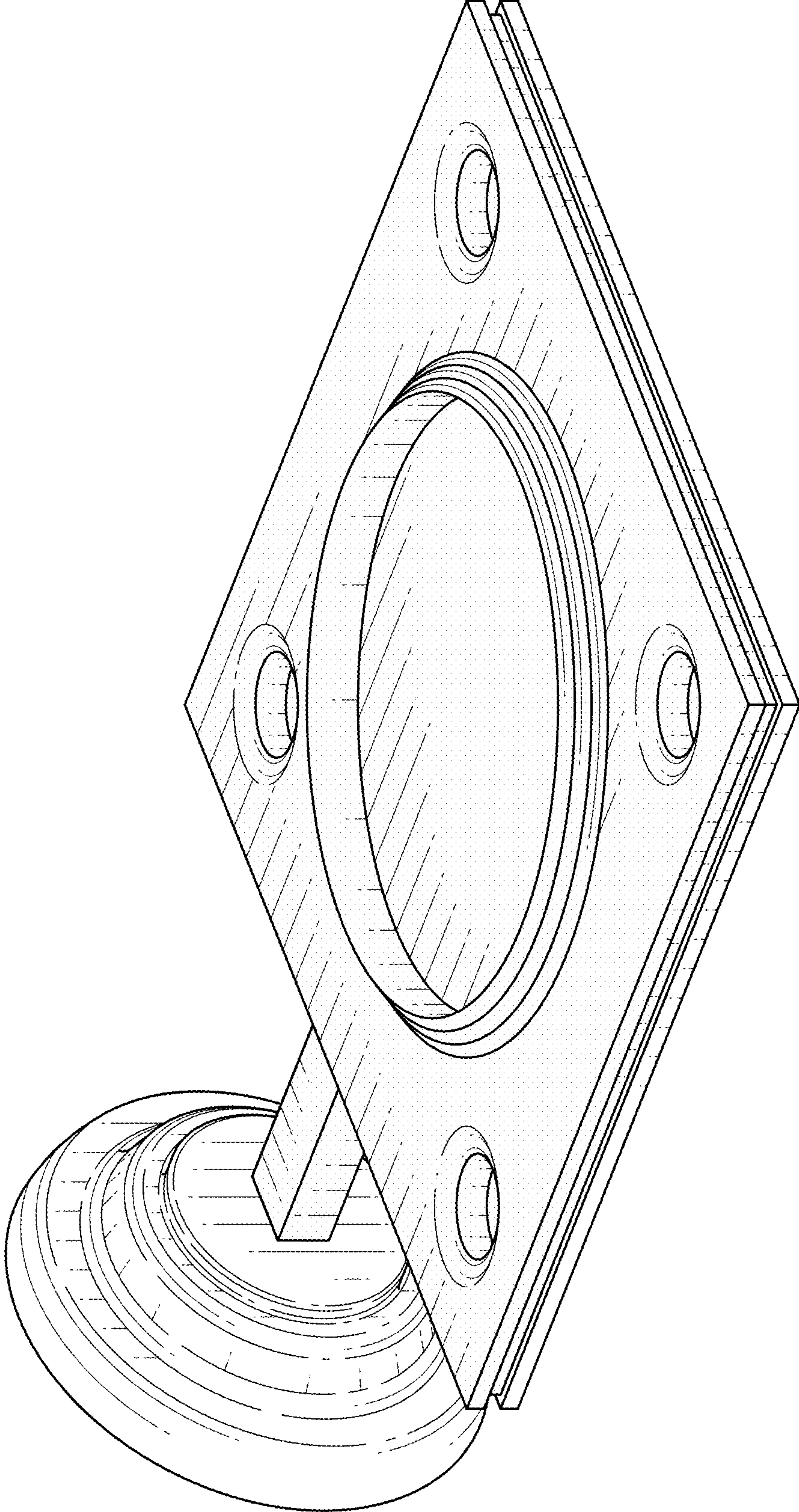


FIG. 1

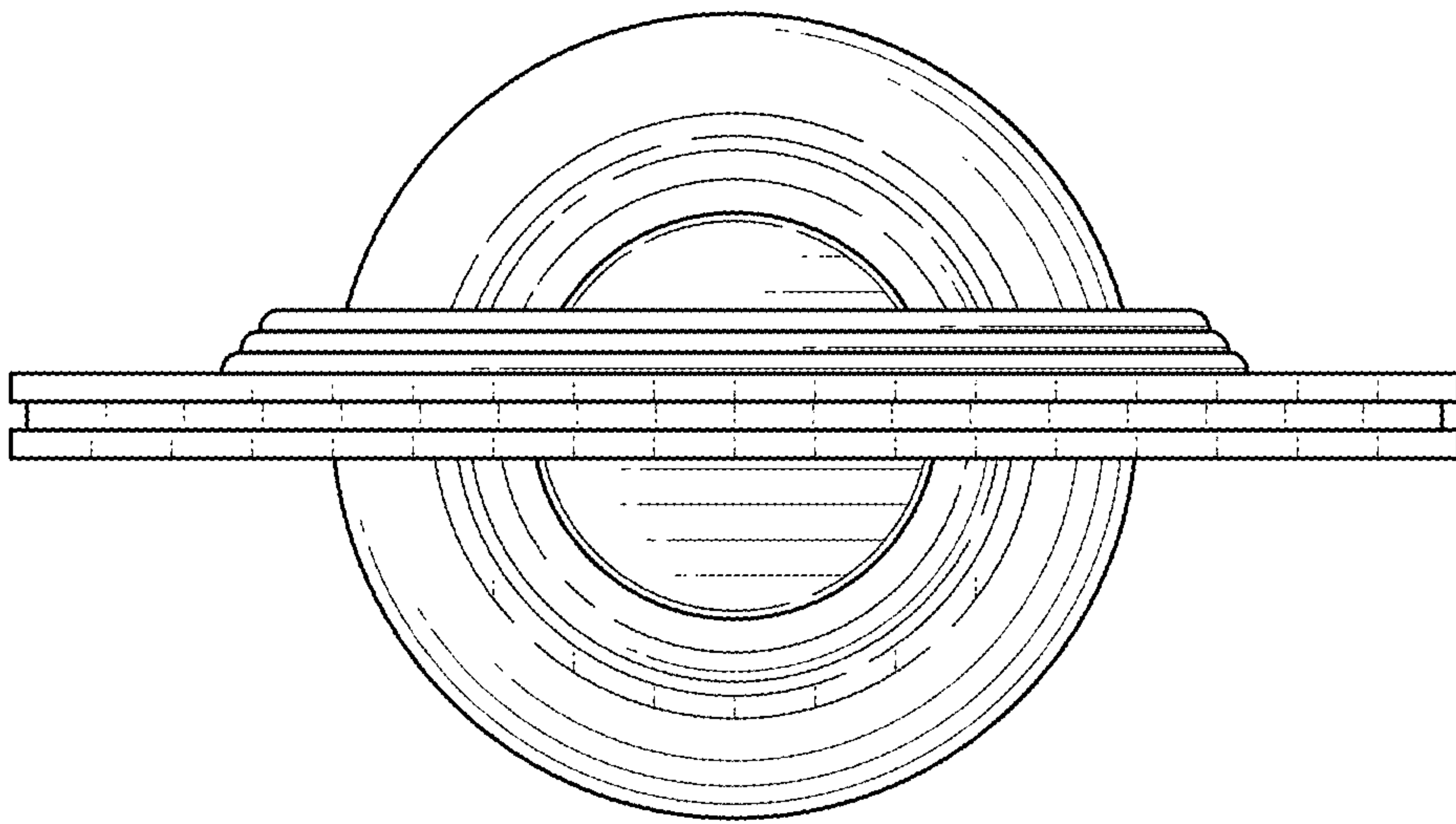


FIG. 2

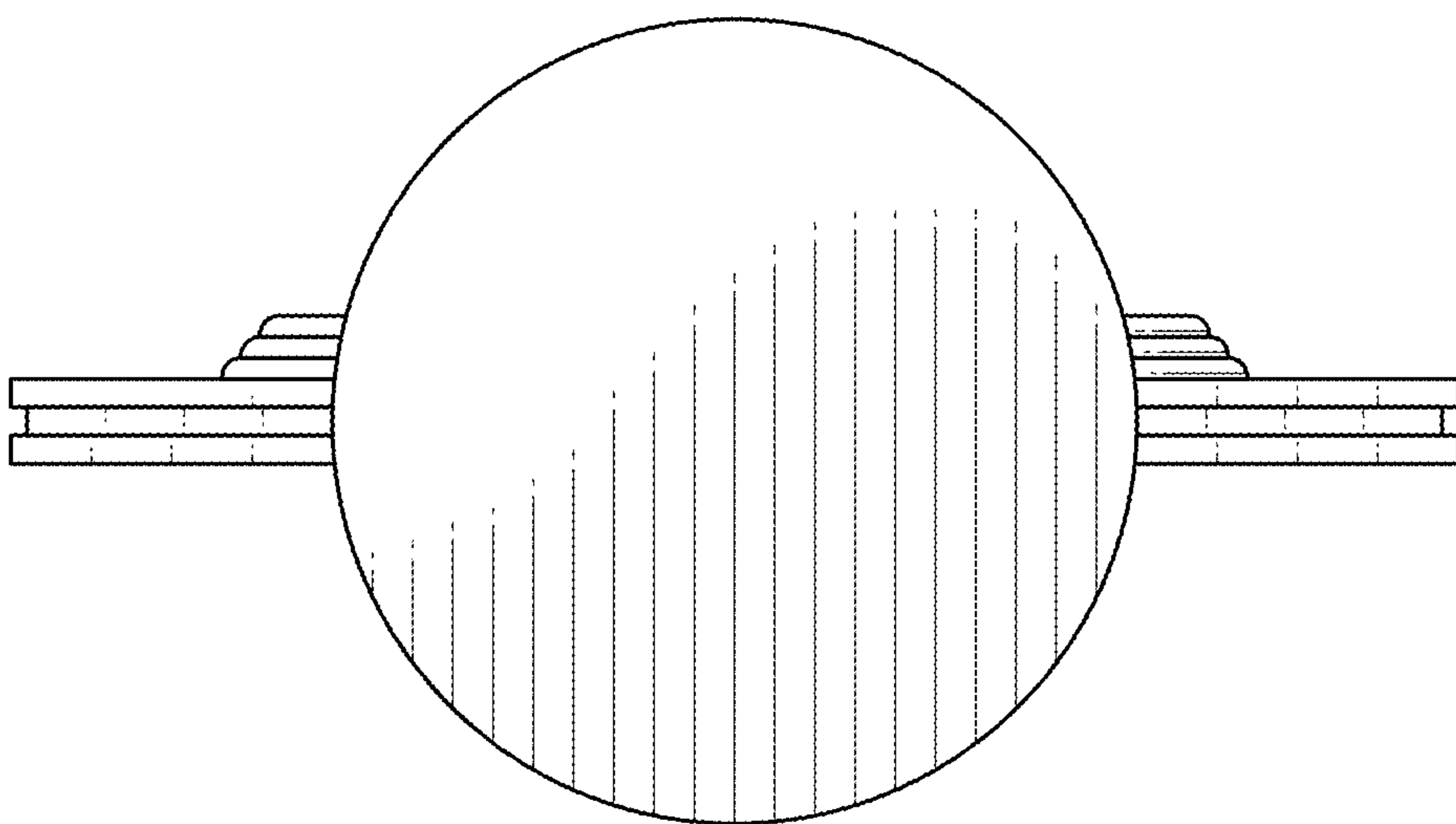


FIG. 3



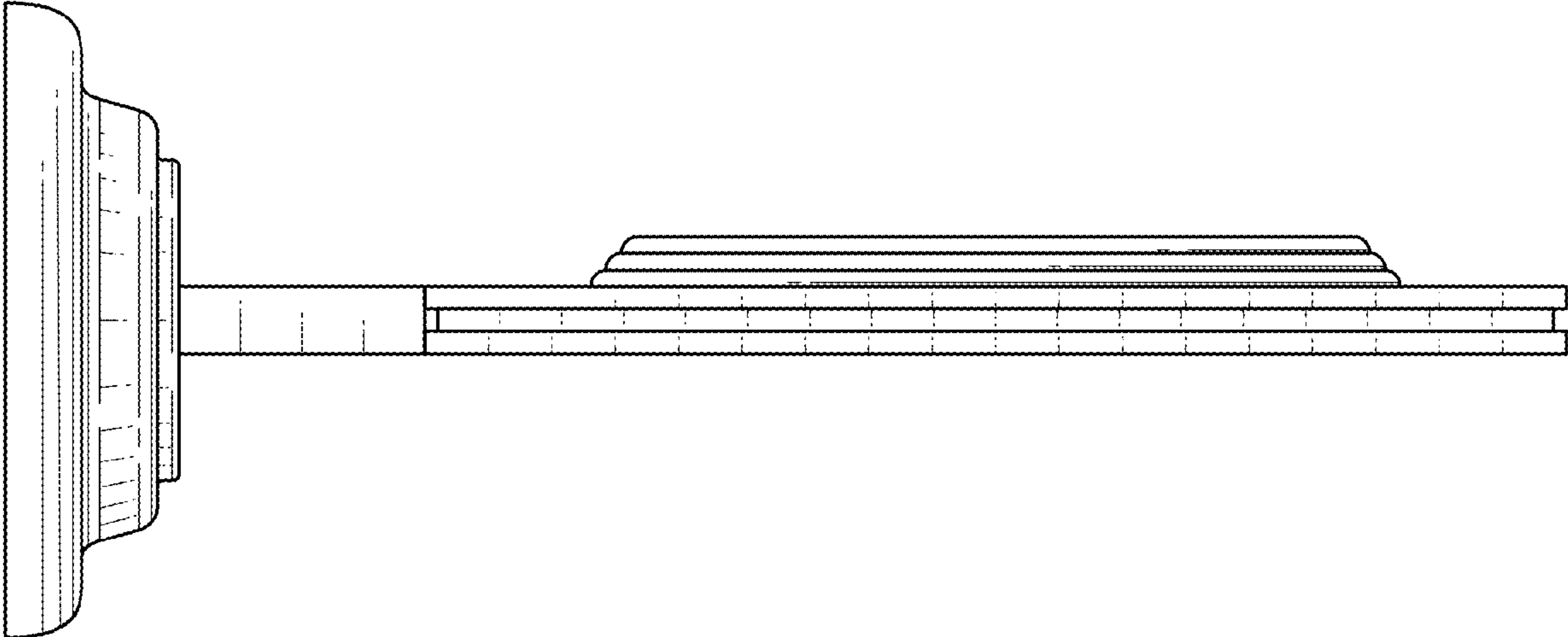


FIG. 4

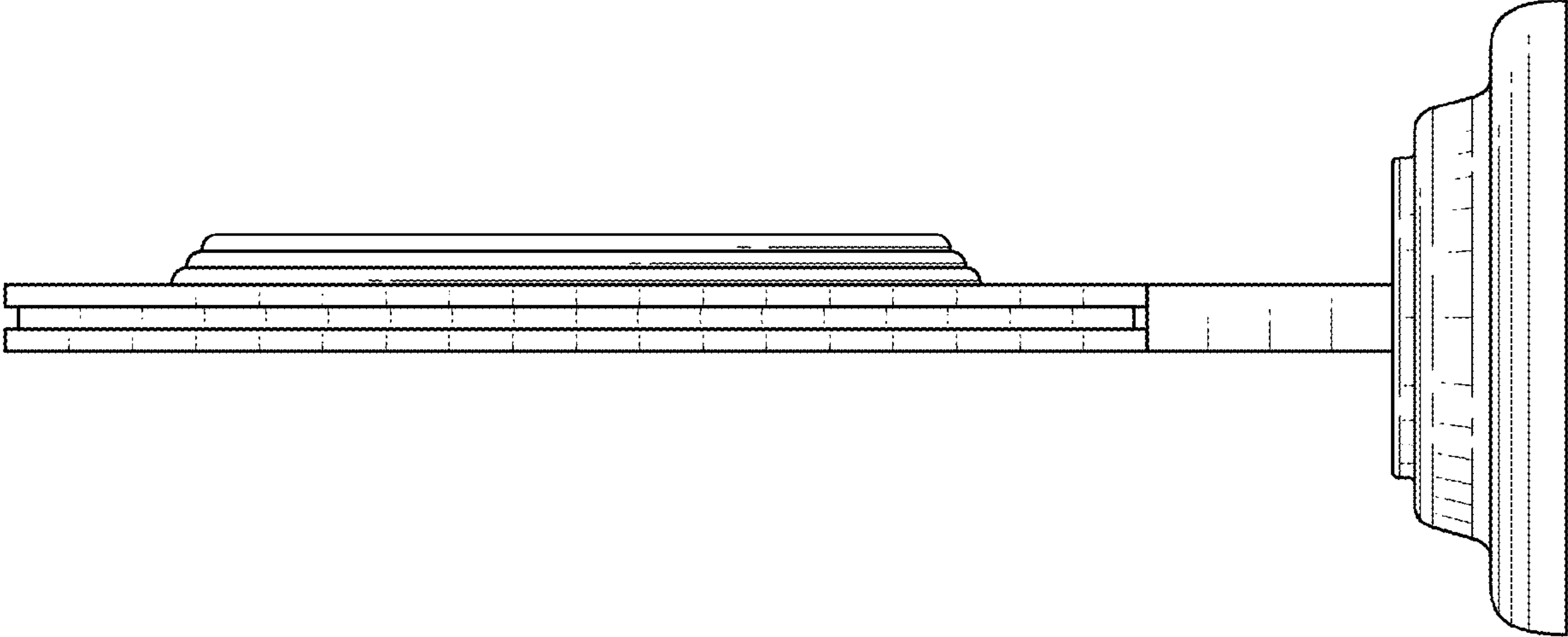


FIG. 5

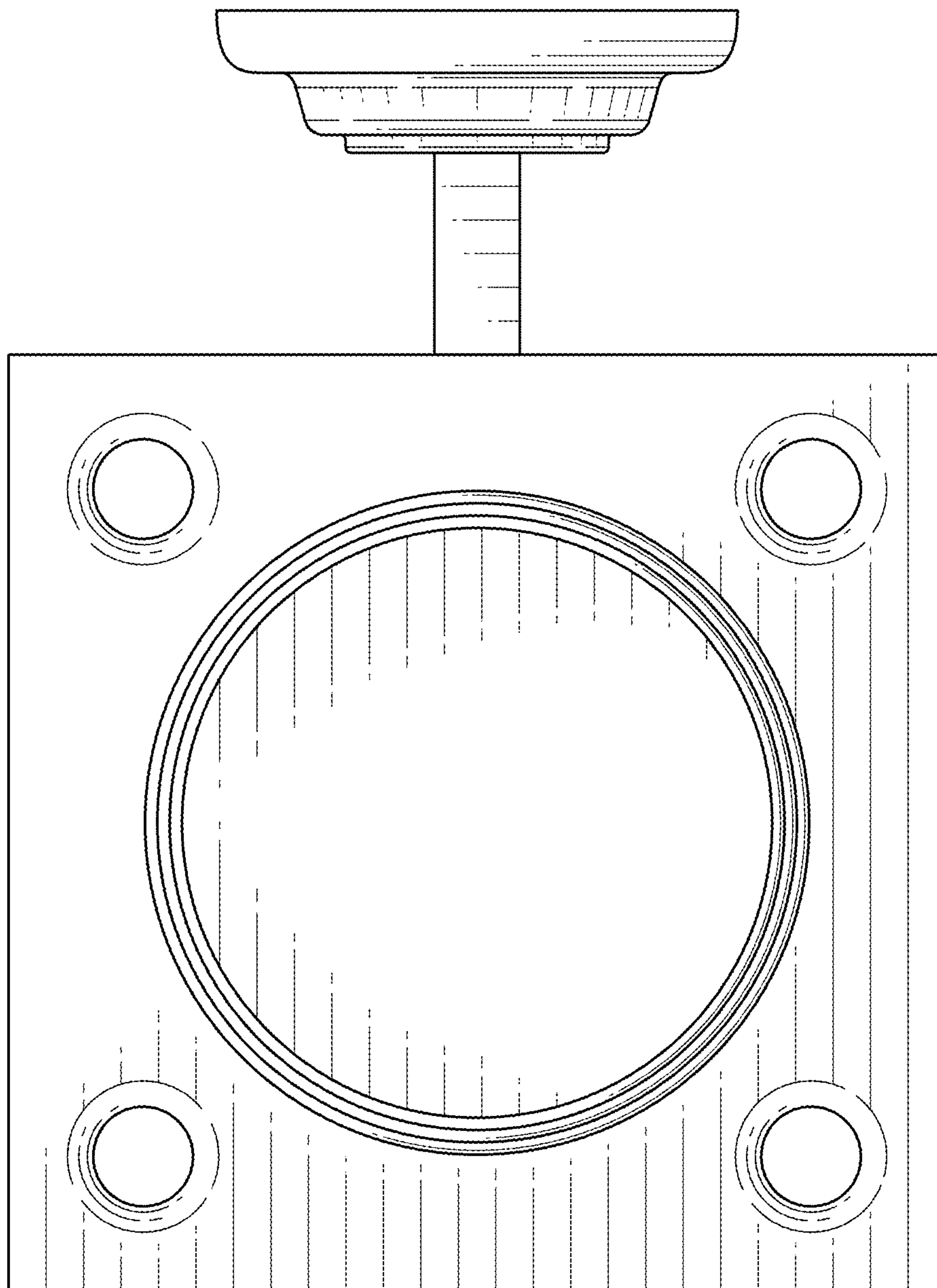


FIG. 6

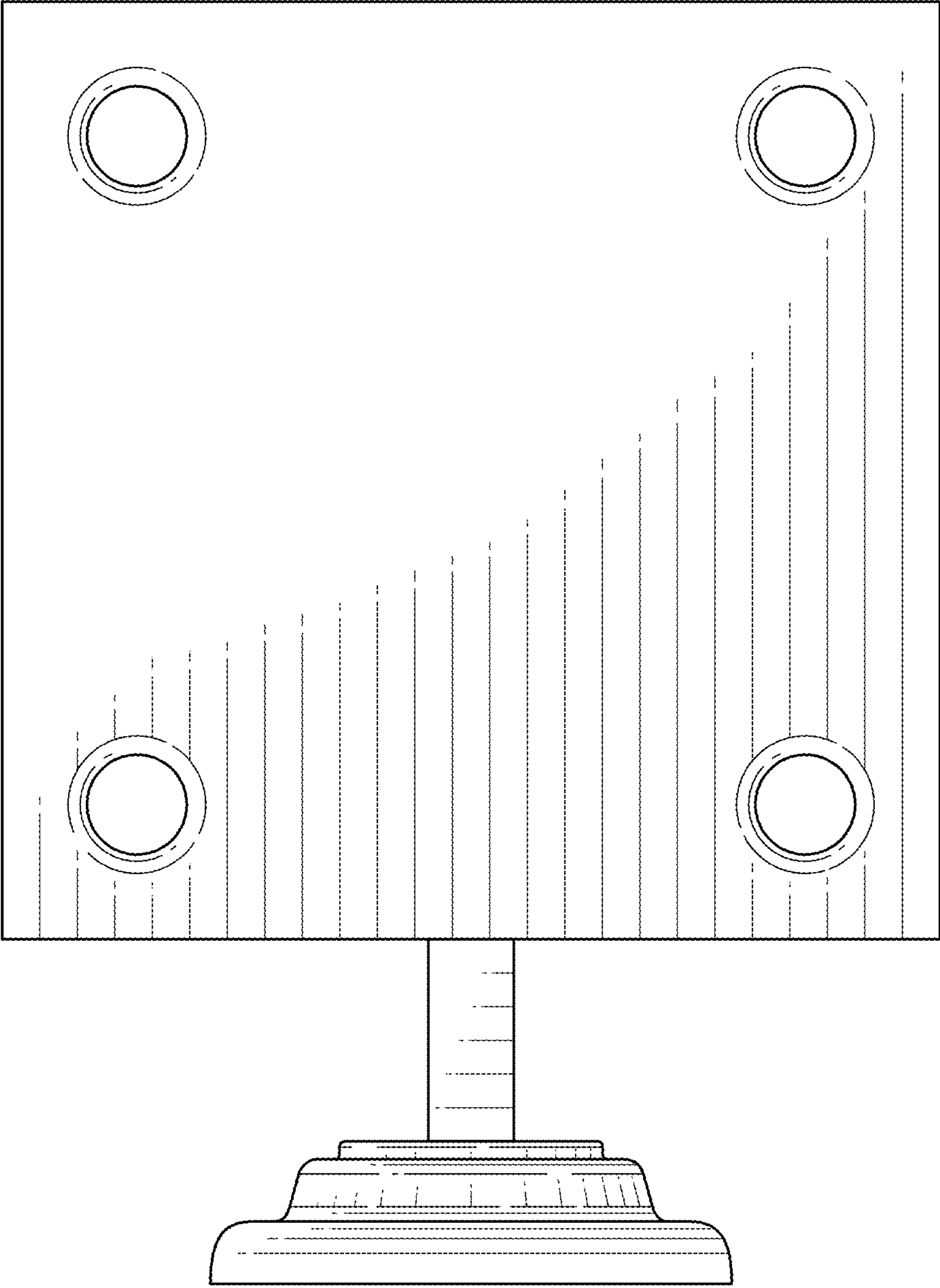


FIG. 7

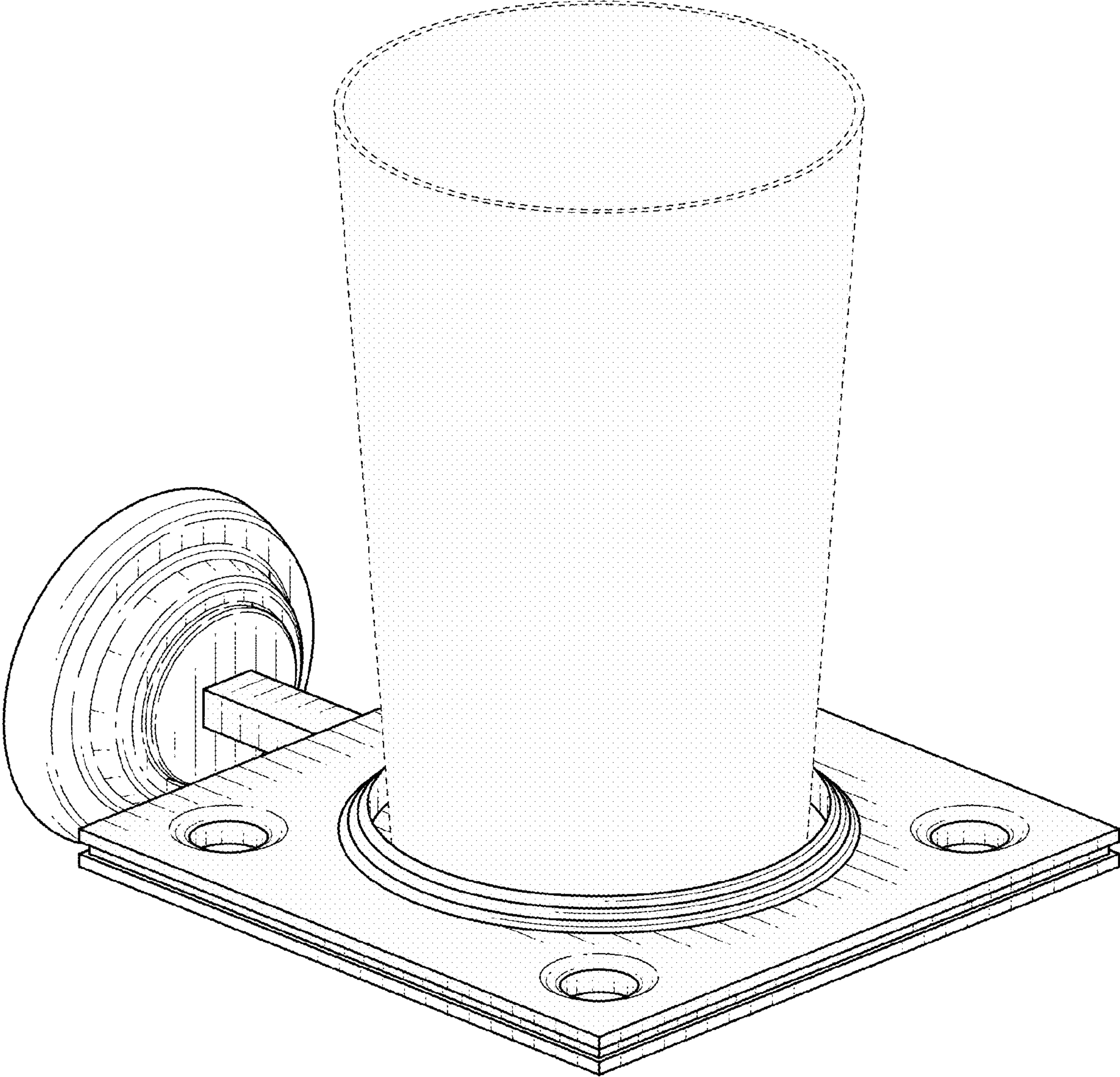


FIG. 8