



US00D891196S

(12) **United States Design Patent** (10) **Patent No.:** **US D891,196 S**
Downie et al. (45) **Date of Patent:** **** Jul. 28, 2020**

(54) **POCKET FOR A COOLER PACK**
(71) Applicant: **MEDELA HOLDING AG**, Baar (CH)
(72) Inventors: **Kathy Downie**, McHenry, IL (US);
Carl Huval, McHenry, IL (US);
Claudia Kowanda, McHenry, IL (US)
(73) Assignee: **MEDELA HOLDING AG**, Baar (CH)
(**) Term: **15 Years**
(21) Appl. No.: **29/719,600**
(22) Filed: **Jan. 6, 2020**

(56) **References Cited**
U.S. PATENT DOCUMENTS
D492,160 S * 6/2004 Lanman D7/605
2005/0103044 A1* 5/2005 Mogil A45C 11/20
62/457.7
2007/0237432 A1* 10/2007 Mogil A45C 7/0077
383/38
* cited by examiner
Primary Examiner — Terry A Wallace
(74) *Attorney, Agent, or Firm* — Marshall, Gerstein & Borun LLP

(57) **CLAIM**
The ornamental design for a pocket for a cooler pack, as shown and described.

Related U.S. Application Data

(62) Division of application No. 29/638,278, filed on Feb. 26, 2018, now Pat. No. Des. 875,477.
(51) **LOC (12) Cl.** **07-01**
(52) **U.S. Cl.**
USPC **D7/605**
(58) **Field of Classification Search**
USPC D7/605, 607, 709, 710, 629; D3/283,
D3/289
CPC F25D 2331/804; F25D 3/08; B65D 30/08;
B65D 81/3858; B65D 81/3823; B65D
81/3888; B65D 81/18; B65D 31/04;
B65D 8/18; A45C 11/20
See application file for complete search history.

DESCRIPTION

FIG. 1 is a front perspective view of a pocket for a cooler pack of the present invention;
FIG. 2 is a front view of the invention illustrated in FIG. 1;
FIG. 3 is a rear view of the invention illustrated in FIG. 1;
FIG. 4 is a top plan view of the invention illustrated in FIG. 1;
FIG. 5 is a bottom plan view of the invention illustrated in FIG. 1; and,
FIG. 6 is a right side view of the invention illustrated in FIG. 1, the left side view being a mirror image thereof.
The broken lines in the drawings illustrate environment, or portions of the pocket for cooler pack, and form no part of the claimed design.

1 Claim, 6 Drawing Sheets

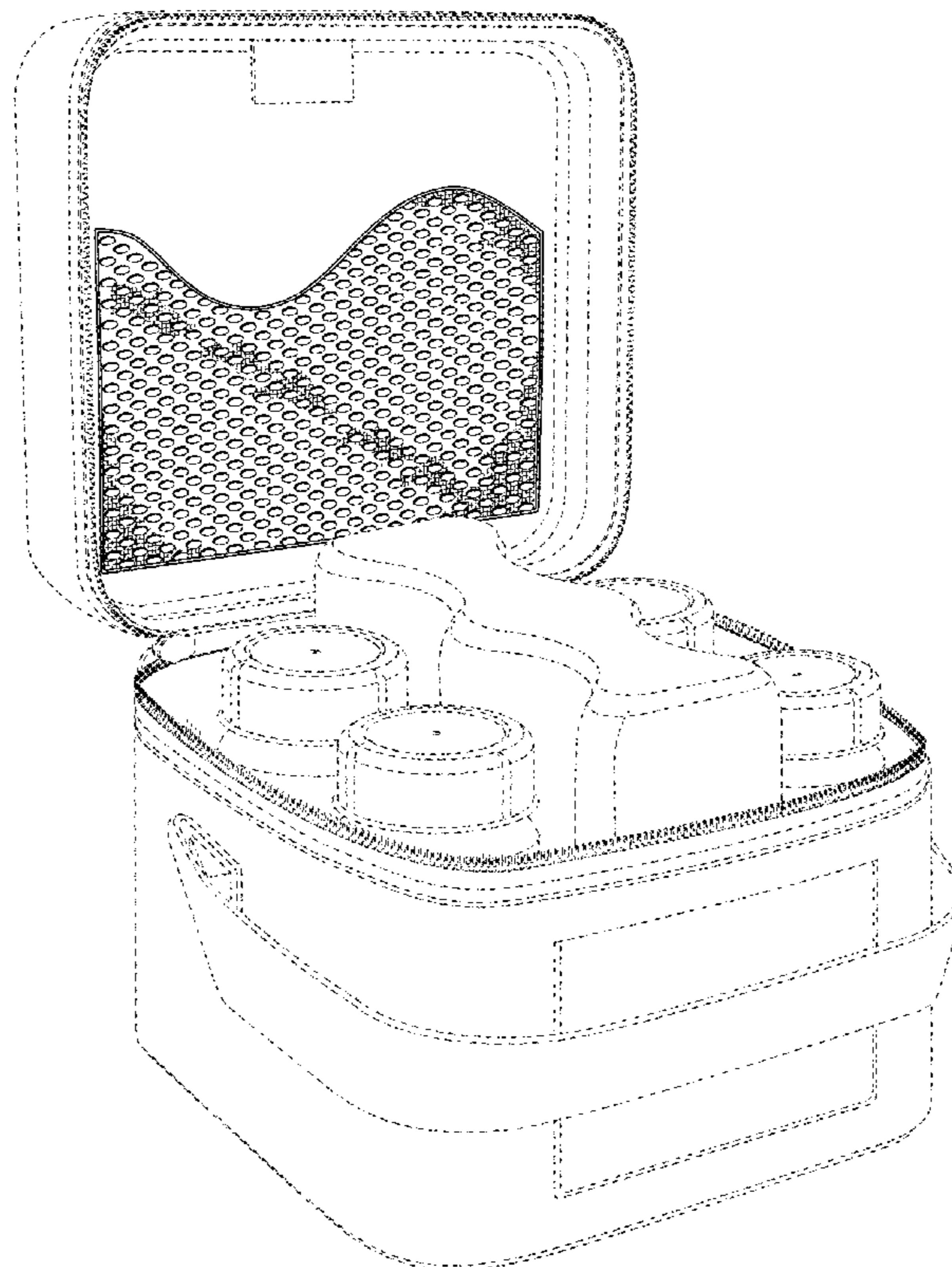


FIG. 1

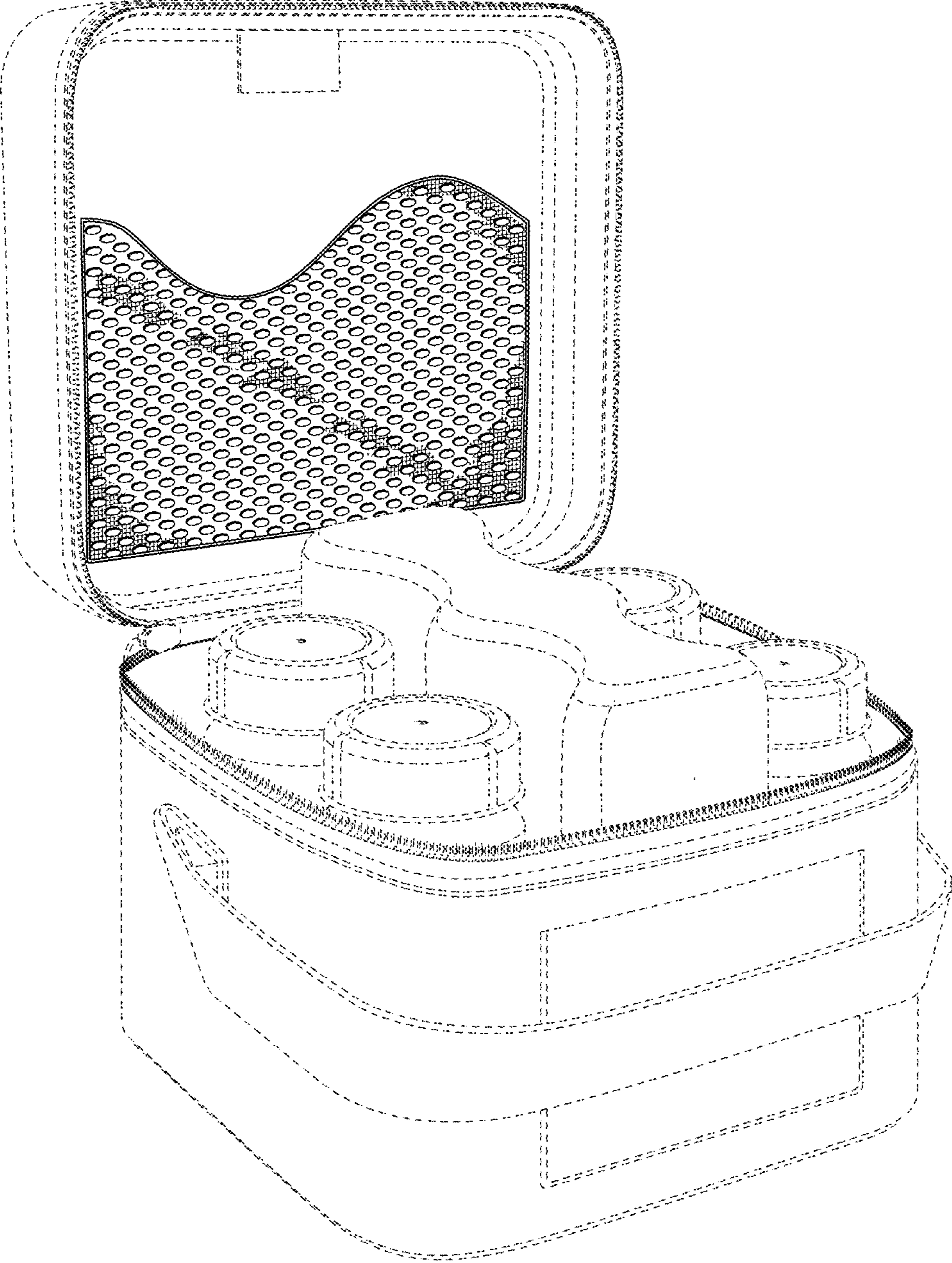


FIG. 2

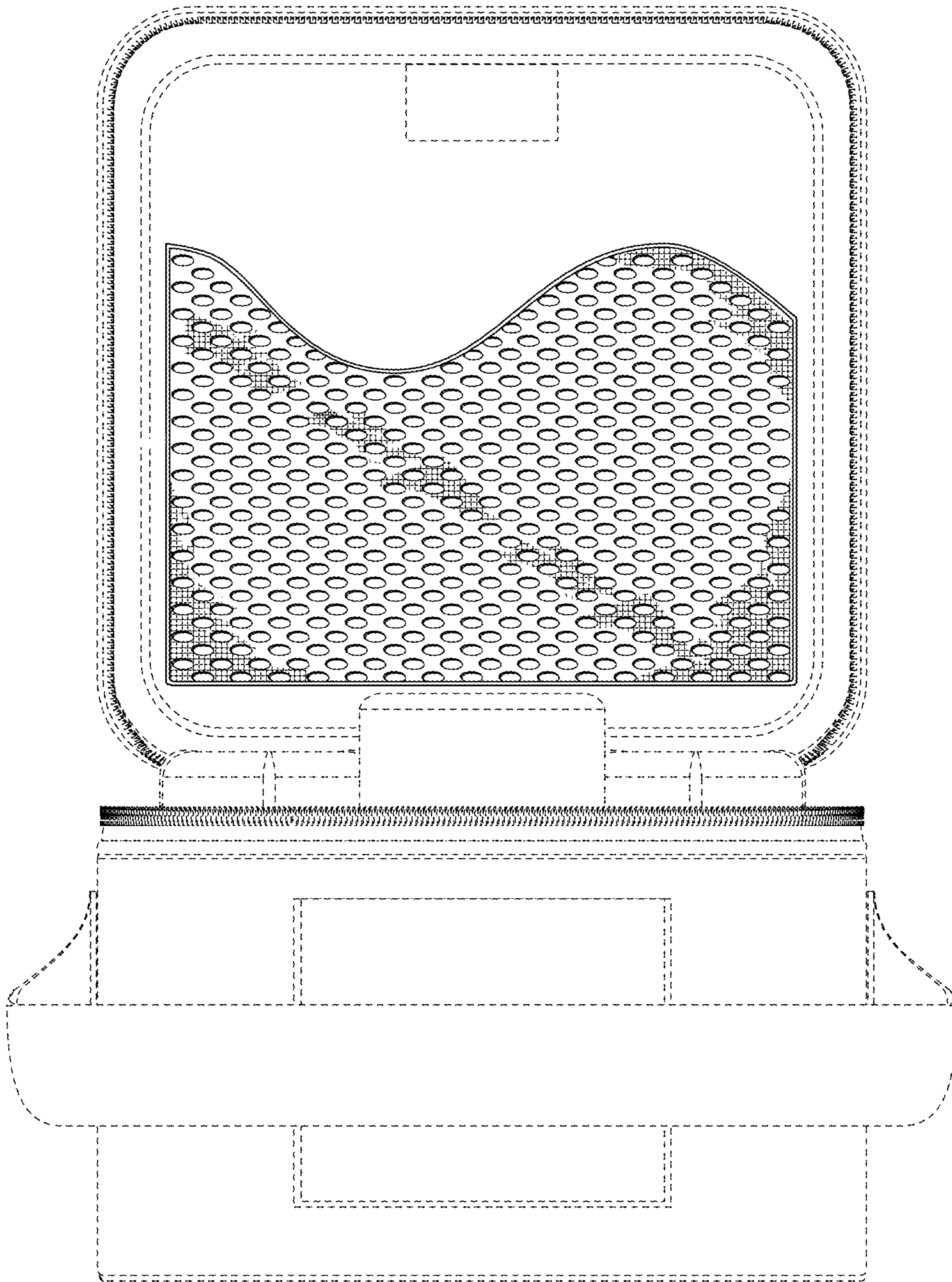


FIG. 3

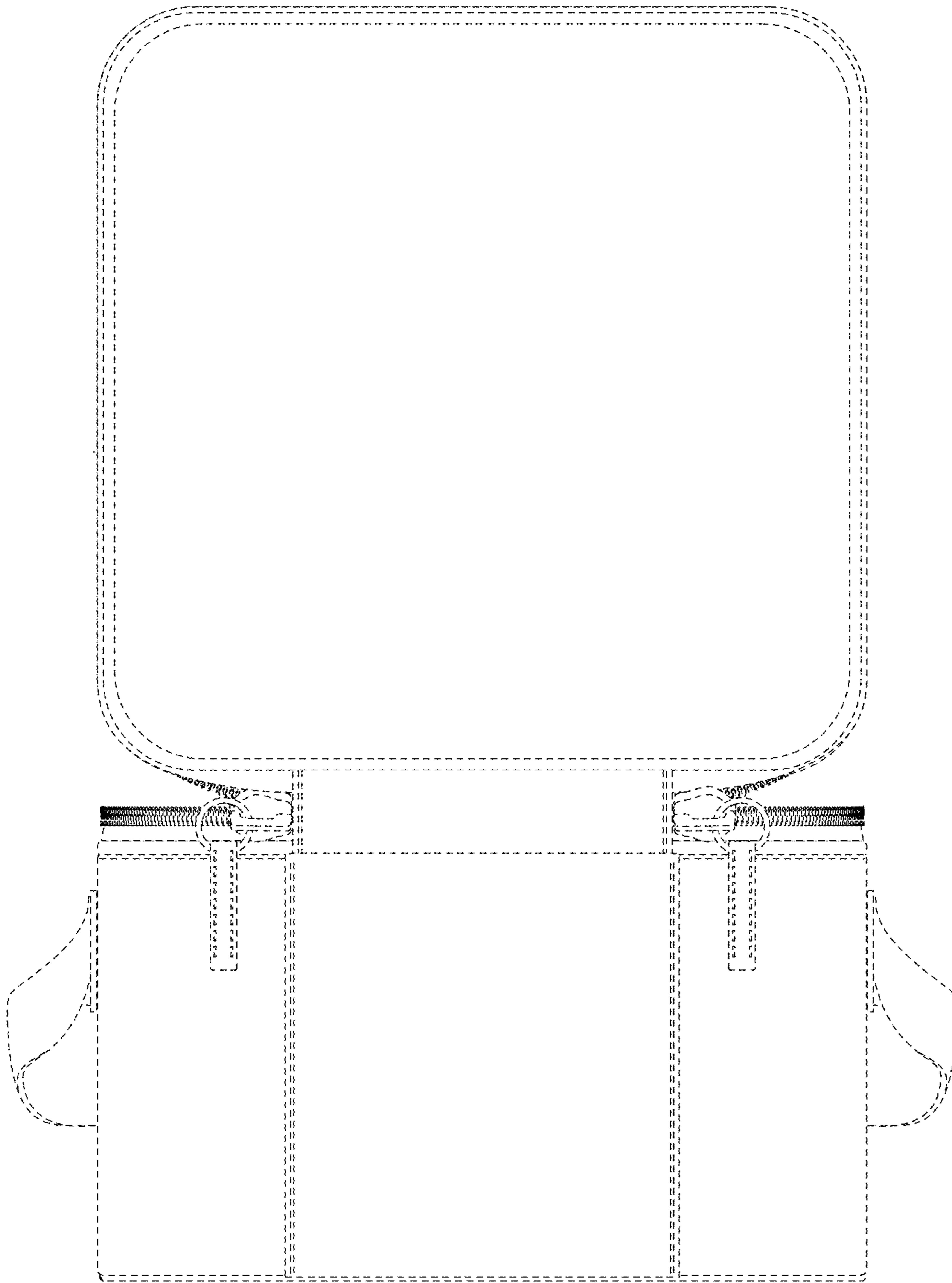


FIG. 4

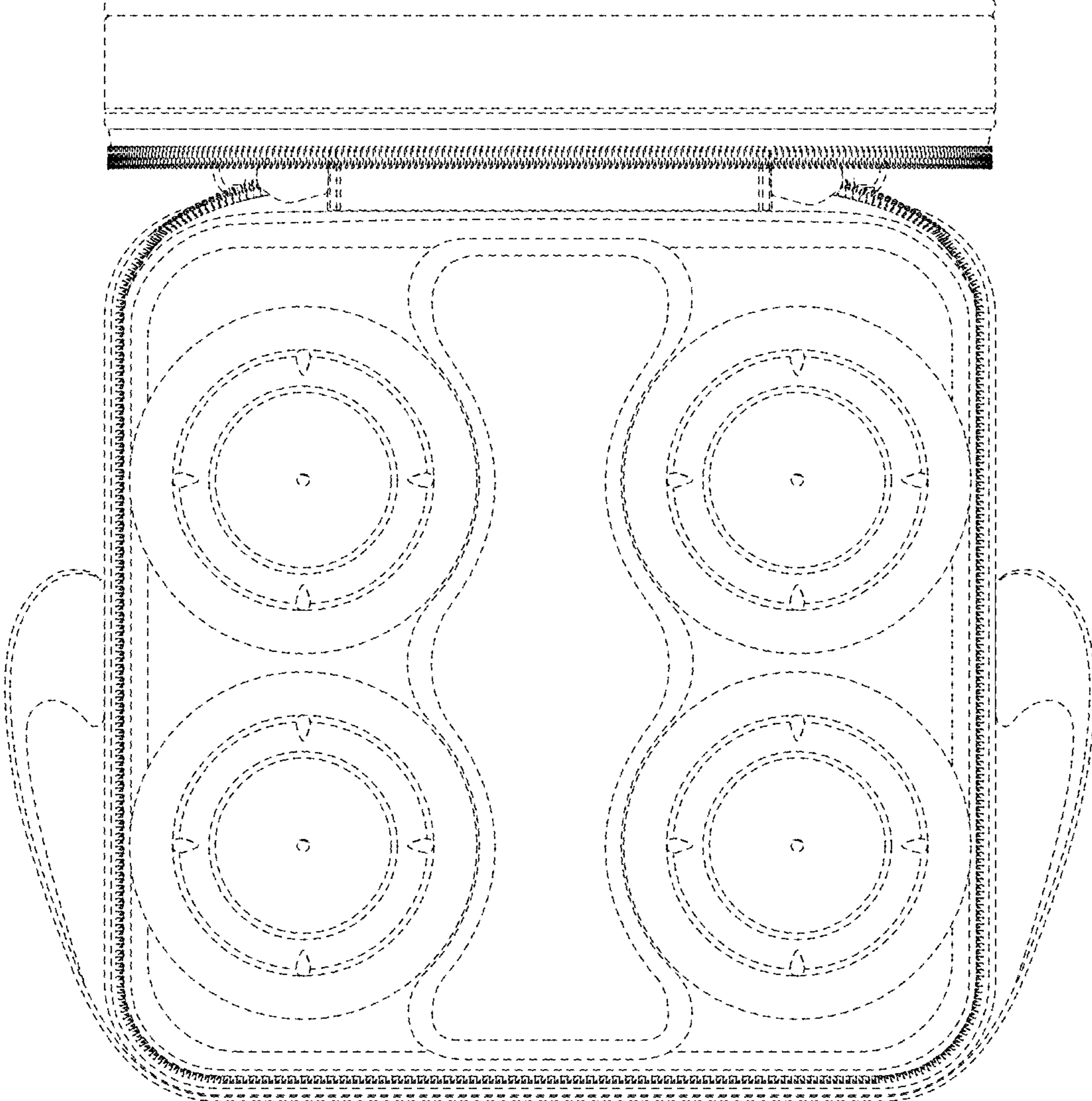


FIG. 5

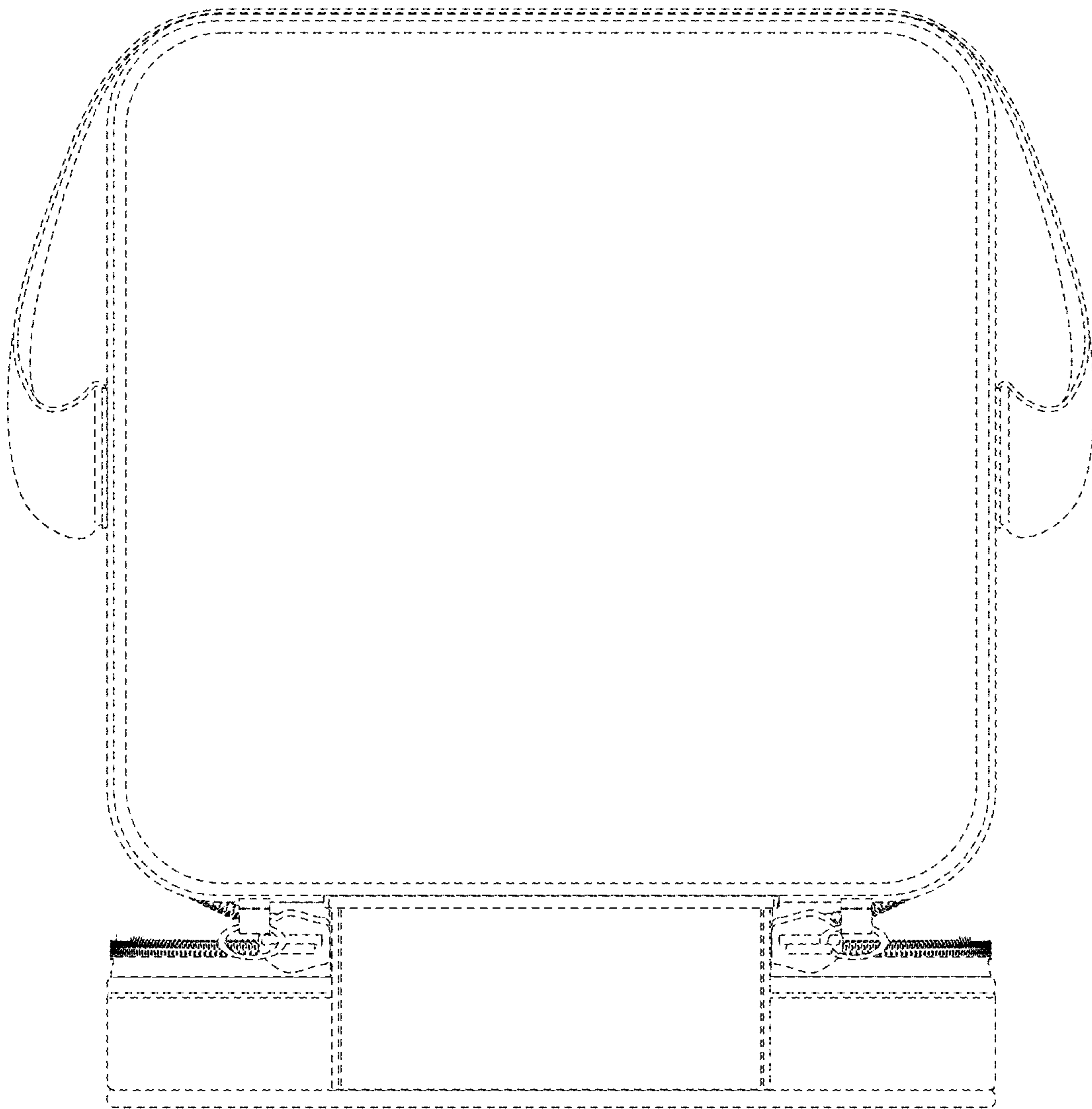


FIG. 6

