



US00D891195S

(12) **United States Design Patent** (10) **Patent No.:** **US D891,195 S**
Zhou (45) **Date of Patent:** **** Jul. 28, 2020**

(54) **INSULATED BOX** 4,592,482 A * 6/1986 Seager A45C 11/20
 220/318
 (71) Applicant: **En-Yuan Zhou**, Guangdong (CN) D318,175 S * 7/1991 Venanzini D3/260
 D429,966 S * 8/2000 Israel D7/605
 (72) Inventor: **En-Yuan Zhou**, Guangdong (CN) D451,765 S * 12/2001 Israel D7/605
 D494,021 S * 8/2004 Huthmaker D7/605
 D566,479 S * 4/2008 Kabalin D3/273
 (**) Term: **15 Years** 2009/0025417 A1 * 1/2009 Azzara A01K 97/20
 62/457.1
 (21) Appl. No.: **29/676,793** 2012/0132657 A1 * 5/2012 Seiders B65D 81/3816
 220/592.2
 (22) Filed: **Jan. 15, 2019** 2013/0062356 A1 * 3/2013 Deka F25D 3/08
 220/592.25

(51) **LOC (12) Cl.** **07-01**
 (52) **U.S. Cl.**
 USPC **D7/605**

(58) **Field of Classification Search**
 USPC D7/603–608, 709, 710, 629; D3/283,
 D3/287, 289, 233, 267, 268, 273, 276,
 D3/315, 318
 CPC F25D 2331/804; F25D 2331/801; F25D
 3/08; B65D 30/08; B65D 30/22; B65D
 81/3858; B65D 81/3828; B65D 81/3888;
 B65D 81/18; B65D 81/3897; B65D
 81/3816; B65D 31/04; B65D 53/00;
 B65D 69/00; B65D 8/18; A45C 11/20;
 A45C 13/02; A45F 3/02; A45F 3/12;
 A45F 3/14; A45F 3/04; A45F 4/02; A01K
 97/20

See application file for complete search history.

(56) **References Cited**

U.S. PATENT DOCUMENTS

2,960,216 A * 11/1960 Brady F25D 3/08
 206/544
 D281,695 S * 12/1985 Ryan, Jr. D7/605

* cited by examiner

Primary Examiner — Terry A Wallace

(74) *Attorney, Agent, or Firm* — W&K IP

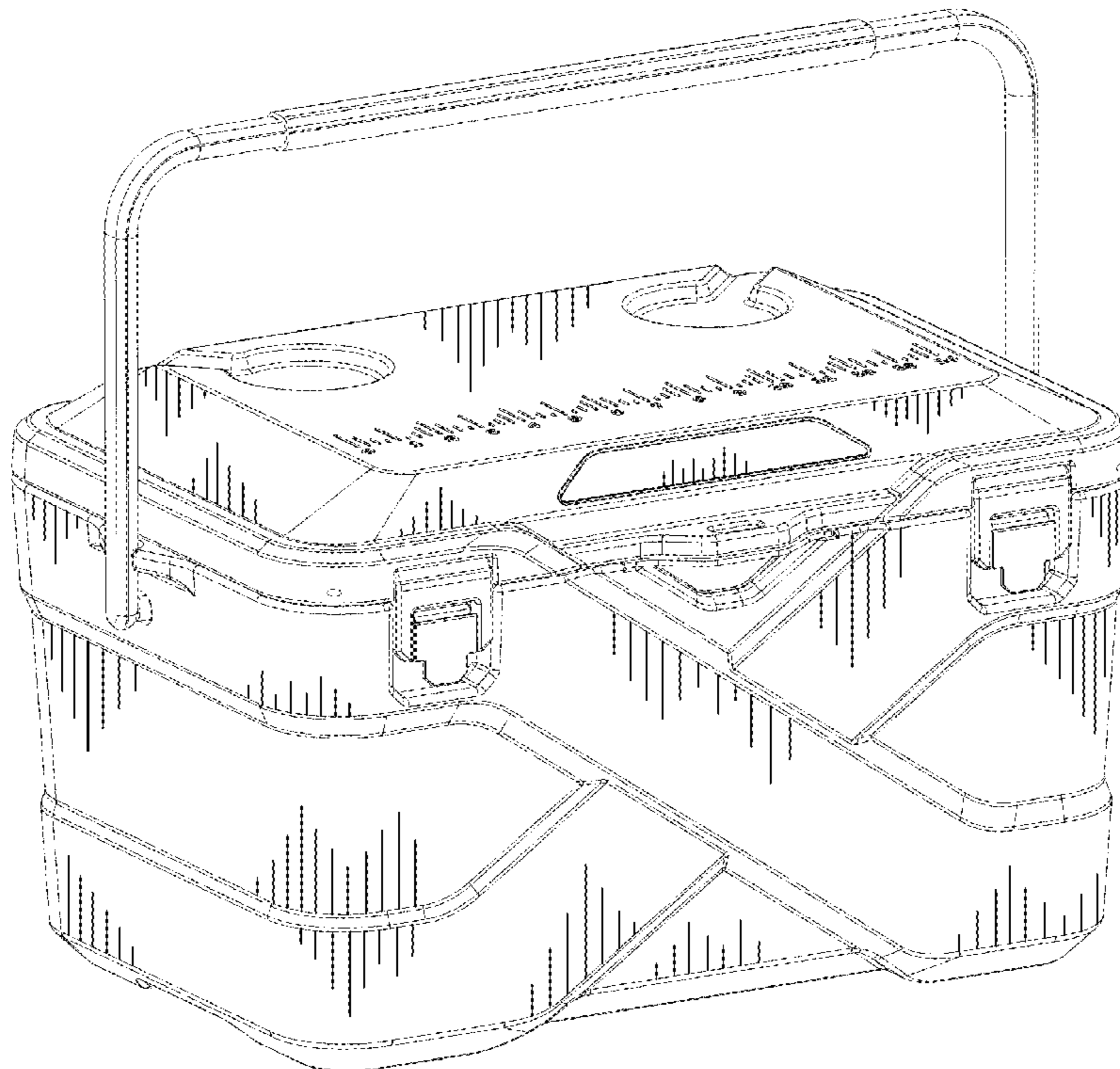
(57) **CLAIM**

The ornamental design for a insulated box, as shown and described.

DESCRIPTION

FIG. 1 is a perspective view of a insulated box showing my new design;
 FIG. 2 is a front elevational view thereof;
 FIG. 3 is a top plan view thereof;
 FIG. 4 is a left side elevational view thereof;
 FIG. 5 is a rear elevational view thereof;
 FIG. 6 is a right side view thereof; and,
 FIG. 7 is a bottom plan view thereof.

1 Claim, 7 Drawing Sheets



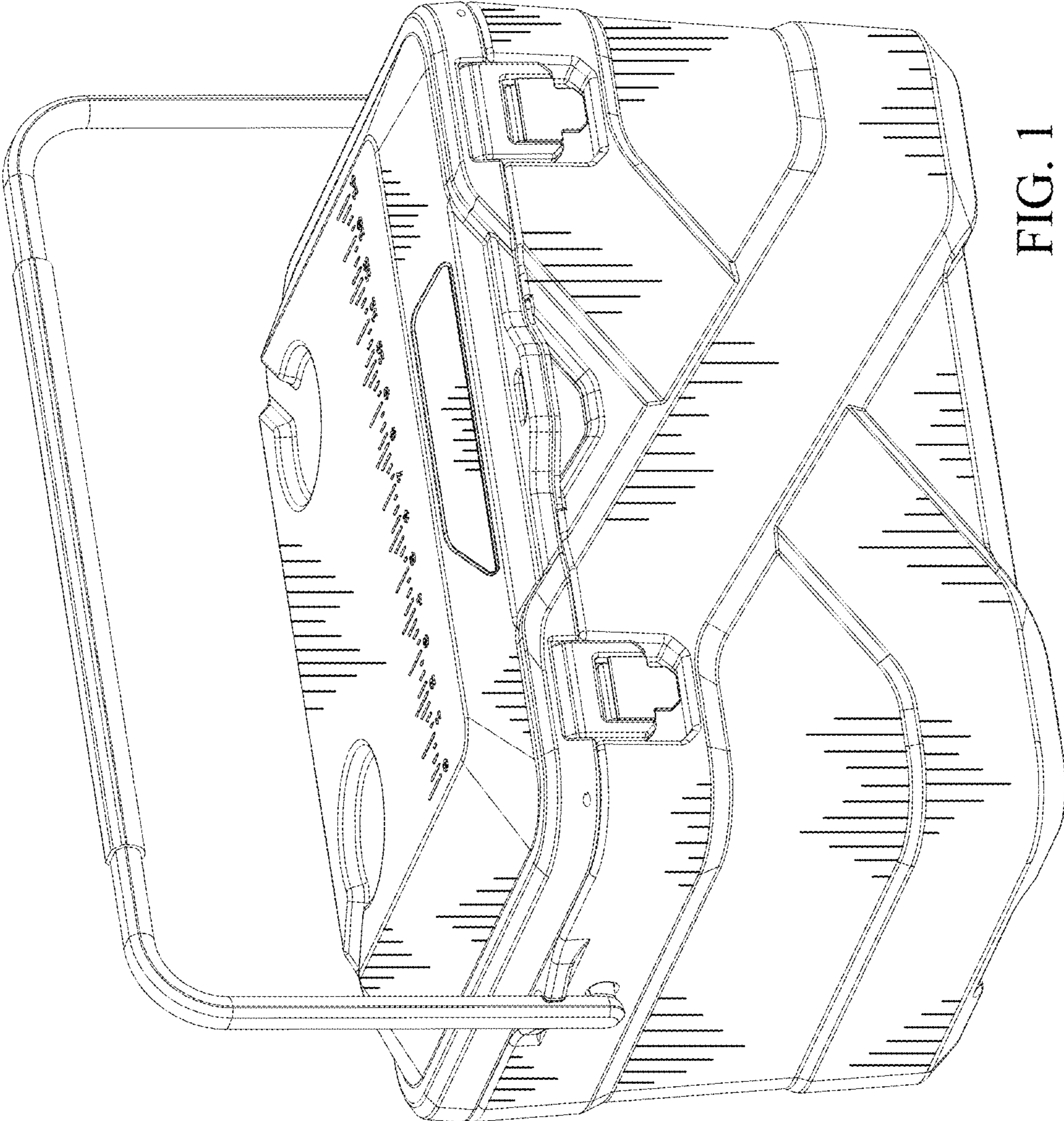


FIG. 1

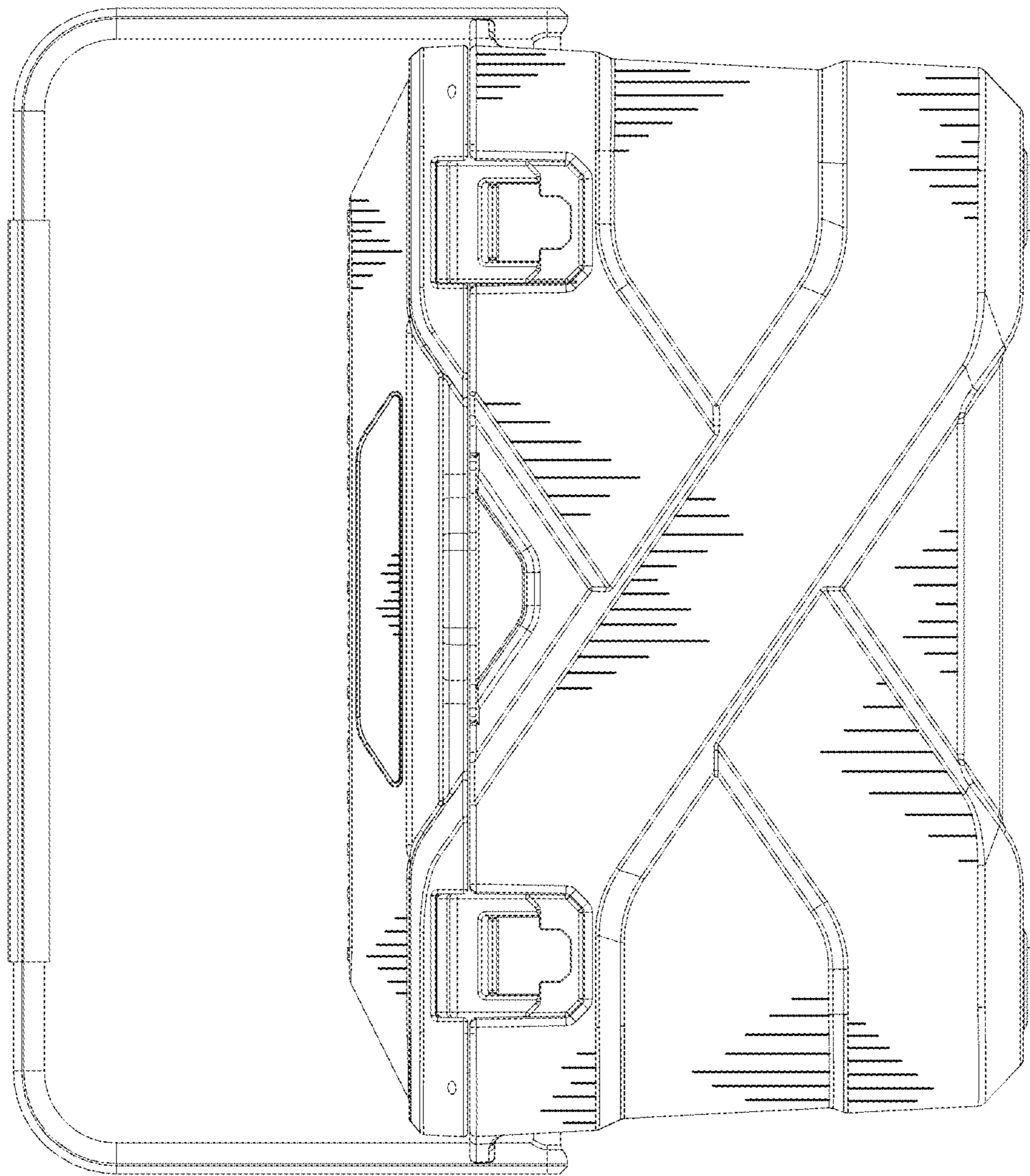


FIG. 2

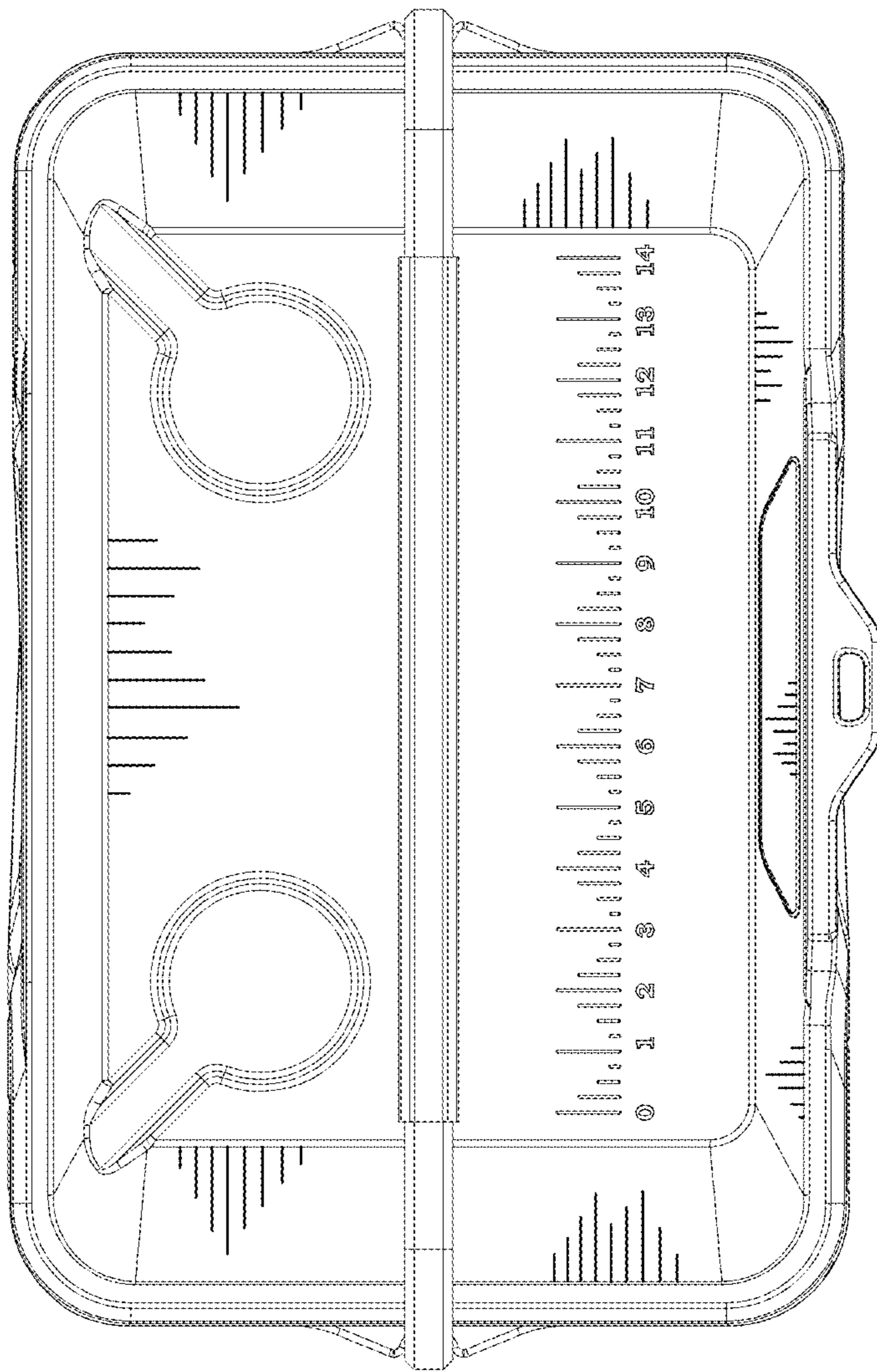


FIG. 3

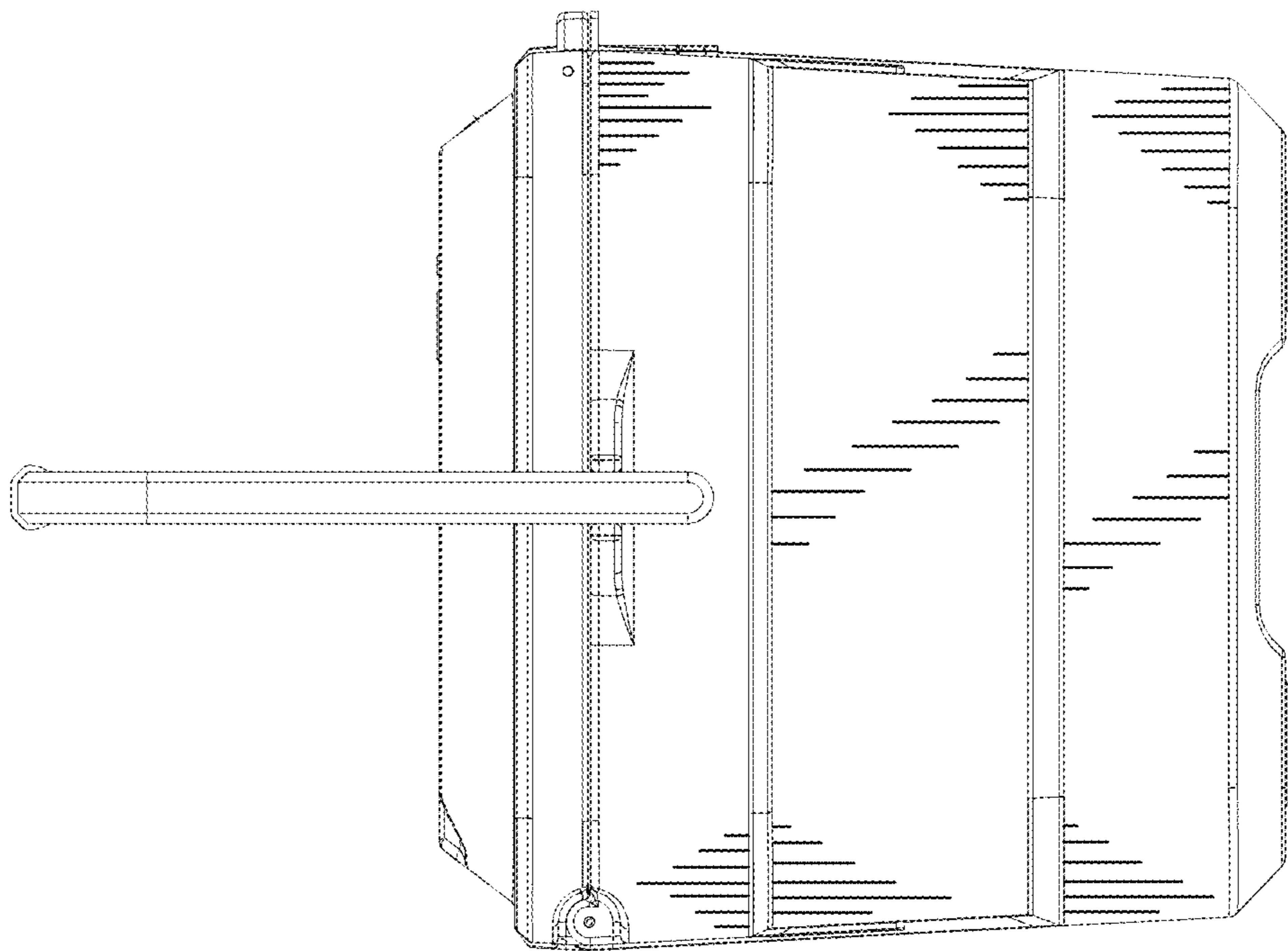


FIG. 4

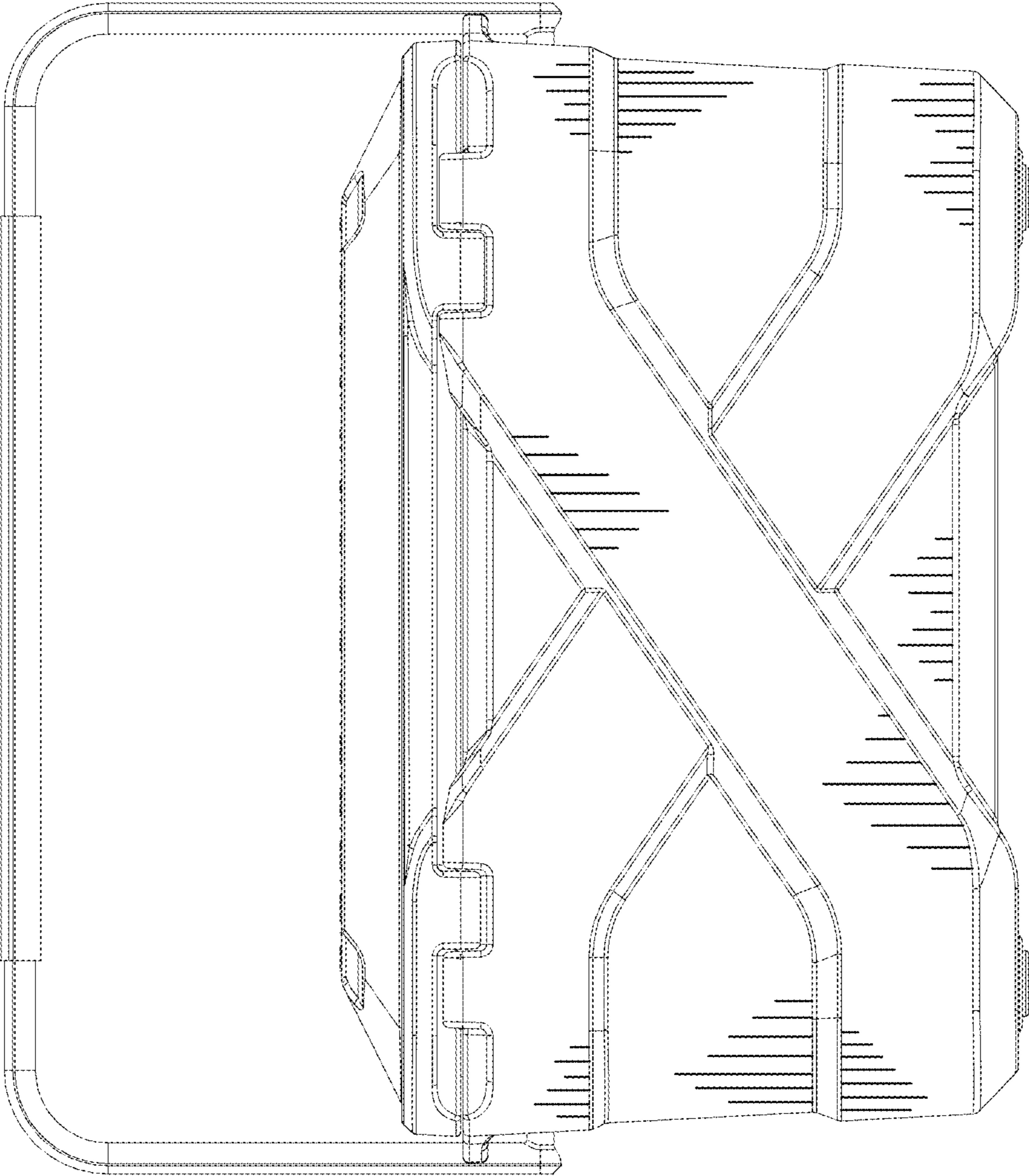


FIG. 5

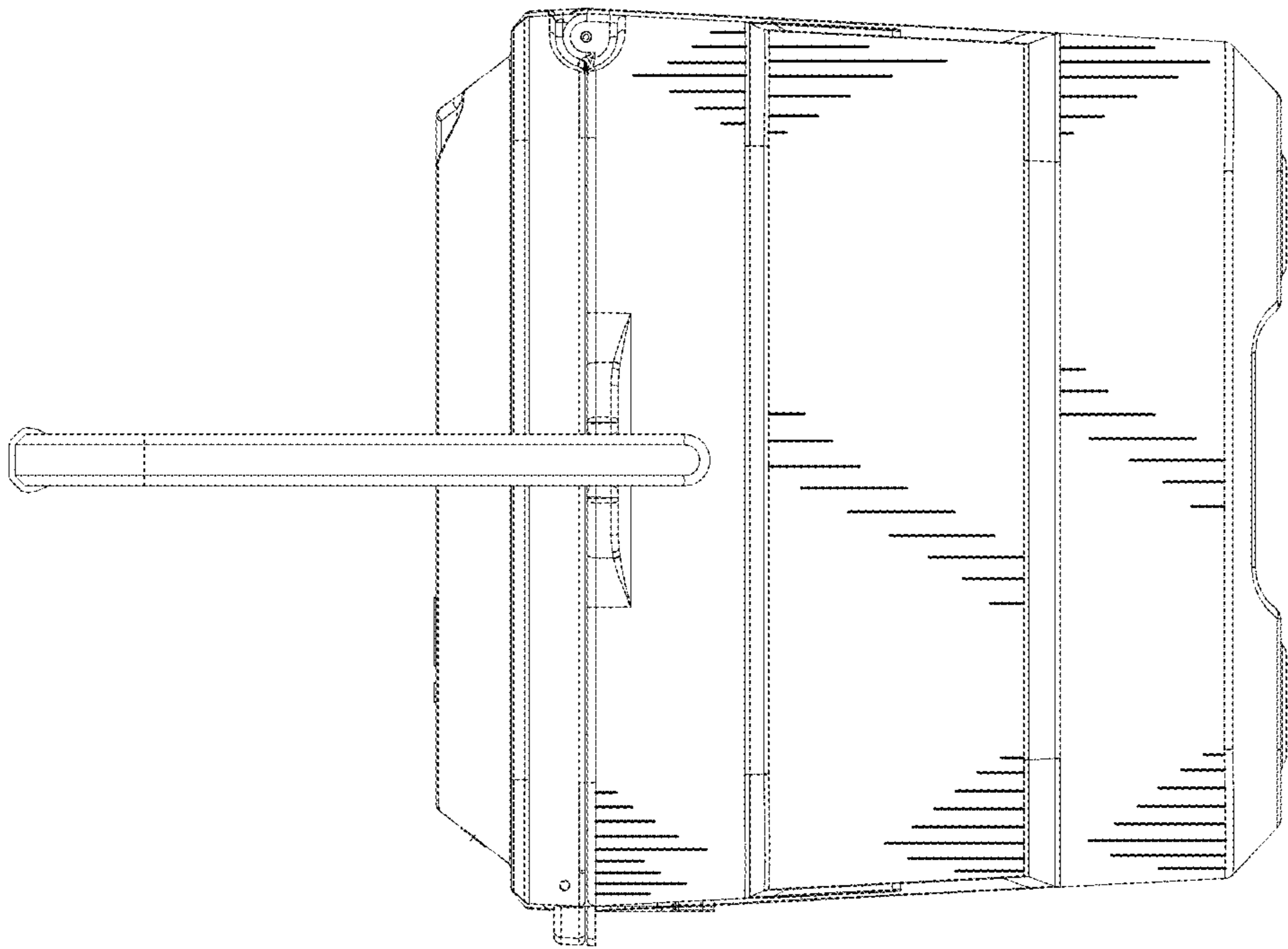


FIG. 6

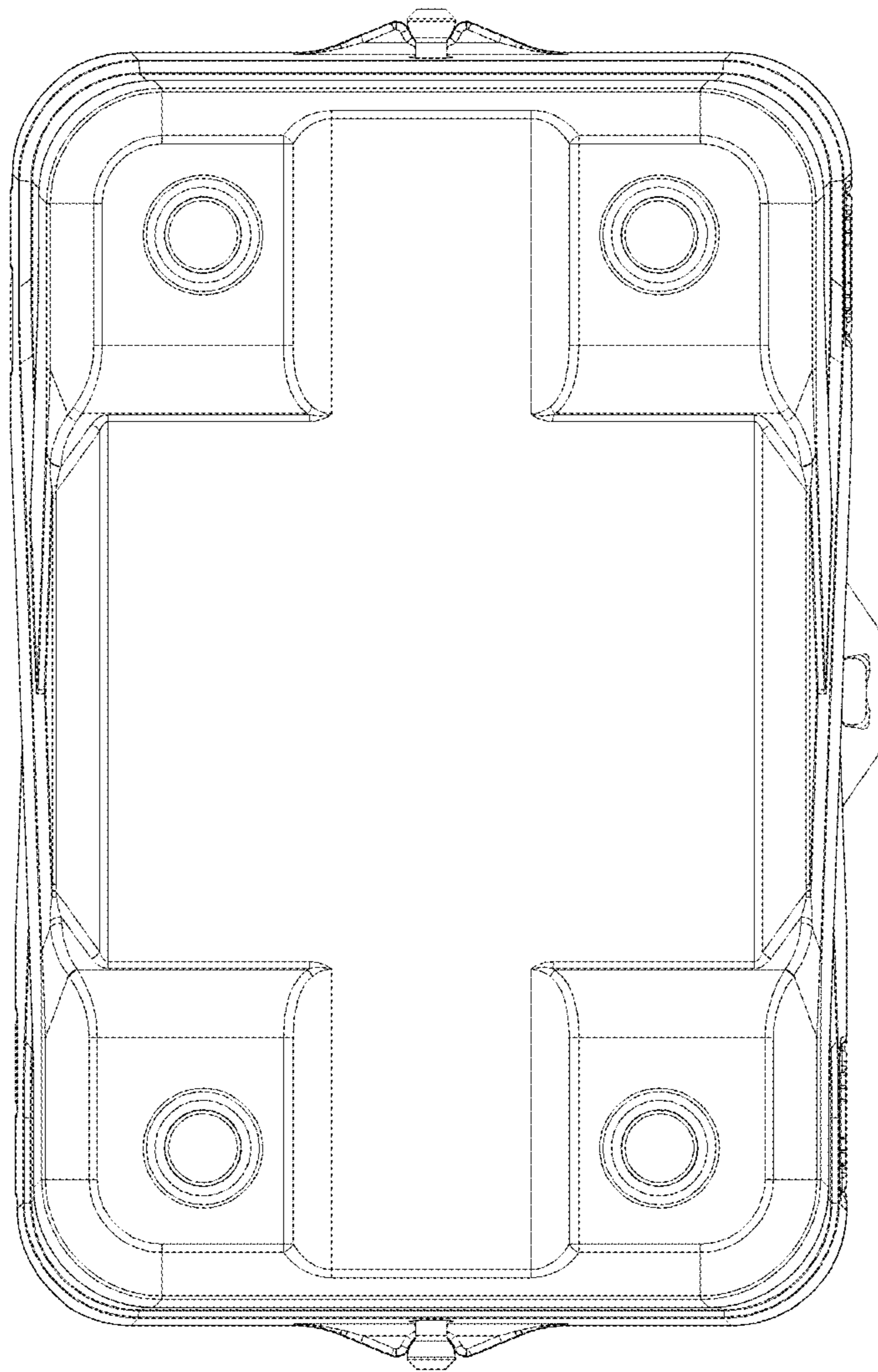


FIG. 7