

US00D891194S

(12) **United States Design Patent**  
**Stanford et al.**

(10) **Patent No.:** **US D891,194 S**  
(45) **Date of Patent:** **\*\* Jul. 28, 2020**

(54) **COOLER**

(71) Applicant: **LIFETIME PRODUCTS, INC.,**  
Clearfield, UT (US)

(72) Inventors: **Carl R. Stanford**, Clearfield, UT (US);  
**Robert A. Astle**, Kaysville, UT (US)

(73) Assignee: **Lifetime Products, Inc.**, Clearfield, UT  
(US)

(\*\*) Term: **15 Years**

(21) Appl. No.: **29/644,911**

(22) Filed: **Apr. 20, 2018**

**Related U.S. Application Data**

(63) Continuation of application No. 29/602,023, filed on  
Apr. 27, 2017, now Pat. No. Des. 816,425.

(51) **LOC (12) Cl.** ..... **07-01**

(52) **U.S. Cl.**  
USPC ..... **D7/605**

(58) **Field of Classification Search**  
USPC ..... D7/603-608, 709, 710, 629; D3/283,  
D3/287, 289, 233, 267, 268, 273, 276,  
D3/315, 318

CPC ..... F25D 2331/804; F25D 2331/801; F25D  
3/08; B65D 30/08; B65D 30/22; B65D  
81/3858; B65D 81/3828; B65D 81/3888;  
B65D 81/18; B65D 81/3897; B65D  
31/04; B65D 53/00; B65D 69/00; B65D  
8/18; A45C 11/20; A45C 13/02; A45F  
3/02; A45F 3/12; A45F 3/14; A45F 3/04;  
A45F 4/02

See application file for complete search history.

(56) **References Cited**

**U.S. PATENT DOCUMENTS**

D325,323 S \* 4/1992 Kahl ..... D7/605  
D325,324 S \* 4/1992 Kahl ..... D7/605

D354,419 S \* 1/1995 Kahl ..... D7/605  
D374,772 S 10/1996 Hotaling  
D429,606 S 8/2000 Israel  
D429,966 S \* 8/2000 Israel ..... D7/605  
D451,765 S 12/2001 Israel  
D455,934 S \* 4/2002 Culp ..... D7/605  
D527,225 S \* 8/2006 Krieger ..... D7/605  
D545,633 S 7/2007 Hussaini  
D566,479 S 4/2008 Kabalin  
D652,262 S 1/2012 Yang  
8,356,712 B2 1/2013 Piazza, Jr.  
D712,720 S 9/2014 Seiders  
D712,721 S 9/2014 Seiders  
D712,722 S 9/2014 Seiders  
D712,723 S 9/2014 Seiders  
D714,125 S 9/2014 Seiders  
8,887,515 B2 \* 11/2014 Patstone ..... F25D 3/08  
62/457.2

(Continued)

**OTHER PUBLICATIONS**

U.S. Appl. No. 29/602,023, filed Apr. 24, 2017, Stanford et al.

(Continued)

*Primary Examiner* — Terry A Wallace

(74) *Attorney, Agent, or Firm* — Maschoff Brennan

(57) **CLAIM**

The ornamental design for a cooler, as shown and described.

**DESCRIPTION**

FIG. 1 is a top perspective view of a cooler showing our new design.

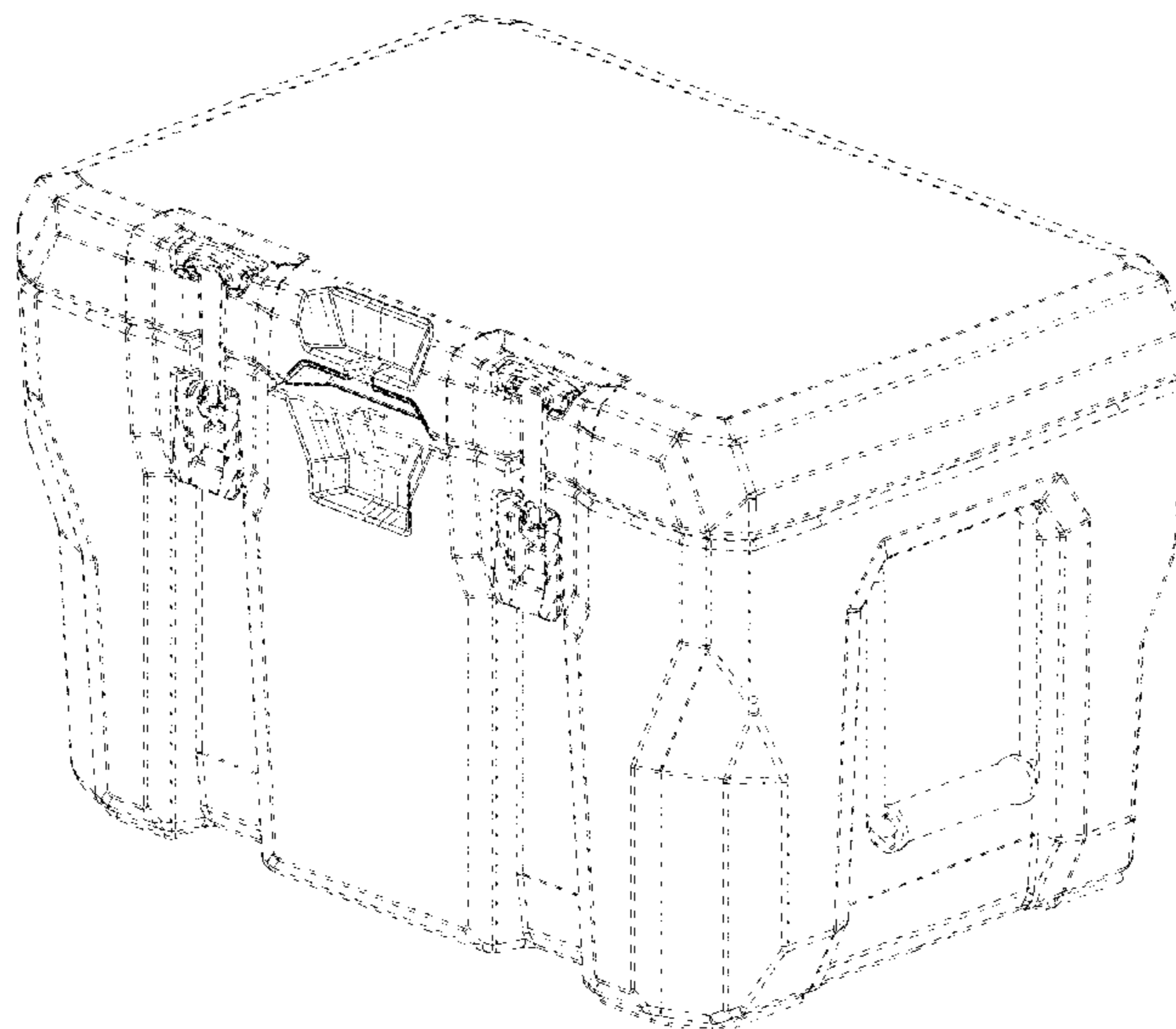
FIG. 2 is a front view thereof.

FIG. 3 is a top plan view thereof; and,

FIG. 4 is a bottom plan view thereof.

The broken lines are for illustrative purposes only and form no part of the claimed design.

**1 Claim, 4 Drawing Sheets**



(56)

**References Cited**

U.S. PATENT DOCUMENTS

8,910,819	B2	12/2014	Seiders	
D722,474	S	2/2015	Seiders	
D722,475	S	2/2015	Seiders	
9,187,232	B2	11/2015	Seiders	
9,694,521	B2	7/2017	French et al.	
D806,483	S	1/2018	Stanford et al.	
D816,425	S	5/2018	Stanford et al.	
2014/0013789	A1*	1/2014	Conrad	..... F25D 3/08 62/331
2015/0060470	A1	3/2015	Seiders	
2015/0225164	A1	8/2015	Seiders et al.	
2015/0322698	A1	11/2015	Seiders	
2015/0353263	A1	12/2015	Seiders et al.	
2016/0236849	A1	8/2016	Seiders et al.	
2016/0257479	A1	9/2016	Seiders et al.	

OTHER PUBLICATIONS

Notice of Allowance from U.S. Appl. No. 29/585,896 dated Oct. 18, 2017.

U.S. Appl. No. 29/585,896, filed Nov. 29, 2016, Stanford et al.

Notice of Allowance from U.S. Appl. No. 29/602,023, dated Mar. 29, 2018.

U.S. Appl. No. 15/885,657, filed Jan. 31, 2018, Stanford et al.

U.S. Appl. No. 29/644,909, filed Apr. 20, 2018, Stanford et al.

U.S. Appl. No. 29/644,448, filed Apr. 17, 2018, Stanford et al.

U.S. Appl. No. 29/677,028, filed Jan. 16, 2019, Astle et al.

U.S. Appl. No. 29/677,025, filed Jan. 16, 2019, Astle et al.

U.S. Appl. No. 29/688,014, filed Apr. 17, 2019, Astle et al.

U.S. Appl. No. 29/713,735, filed Nov. 18, 2019, Astle et al.

\* cited by examiner

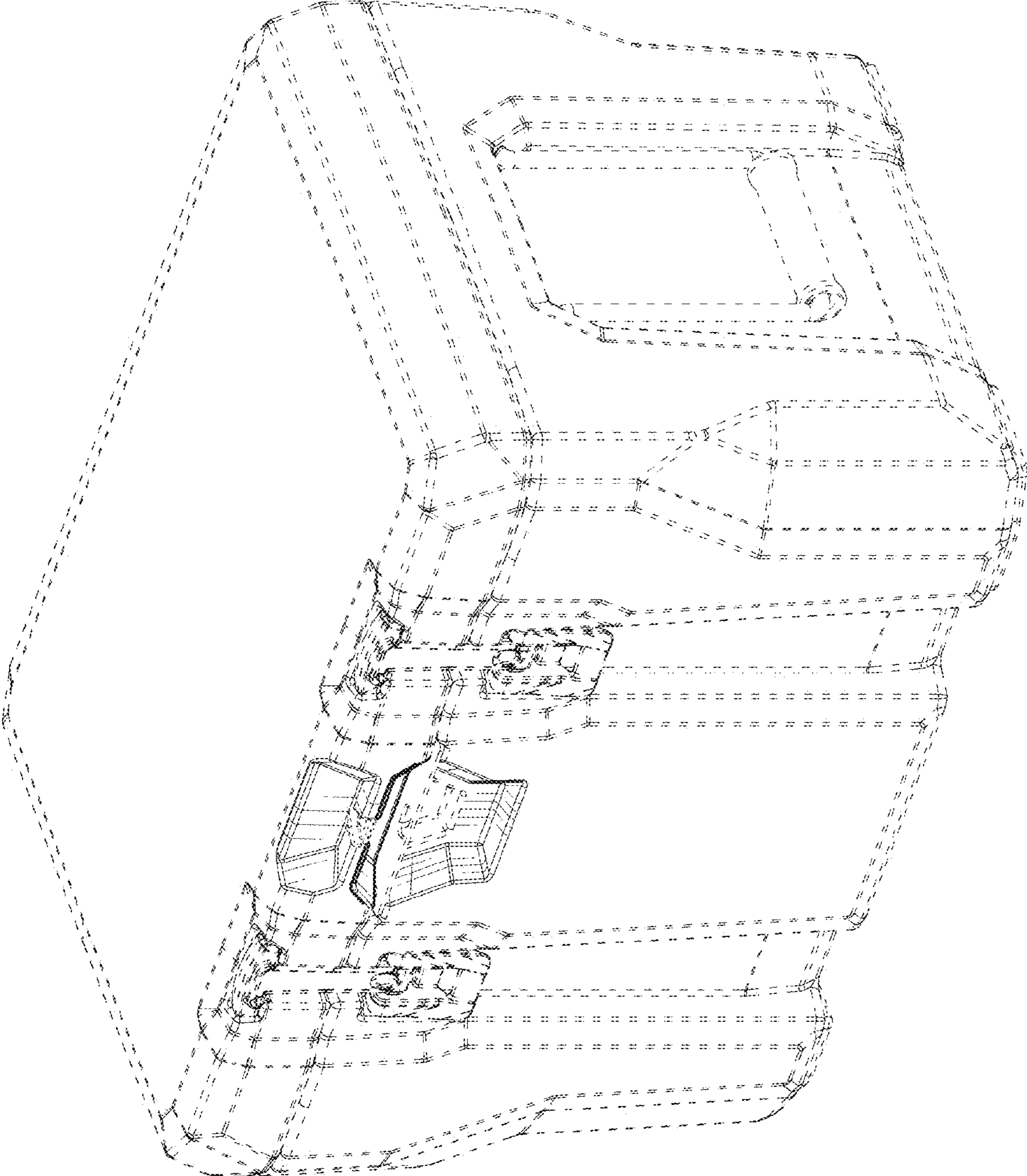


FIG. 1

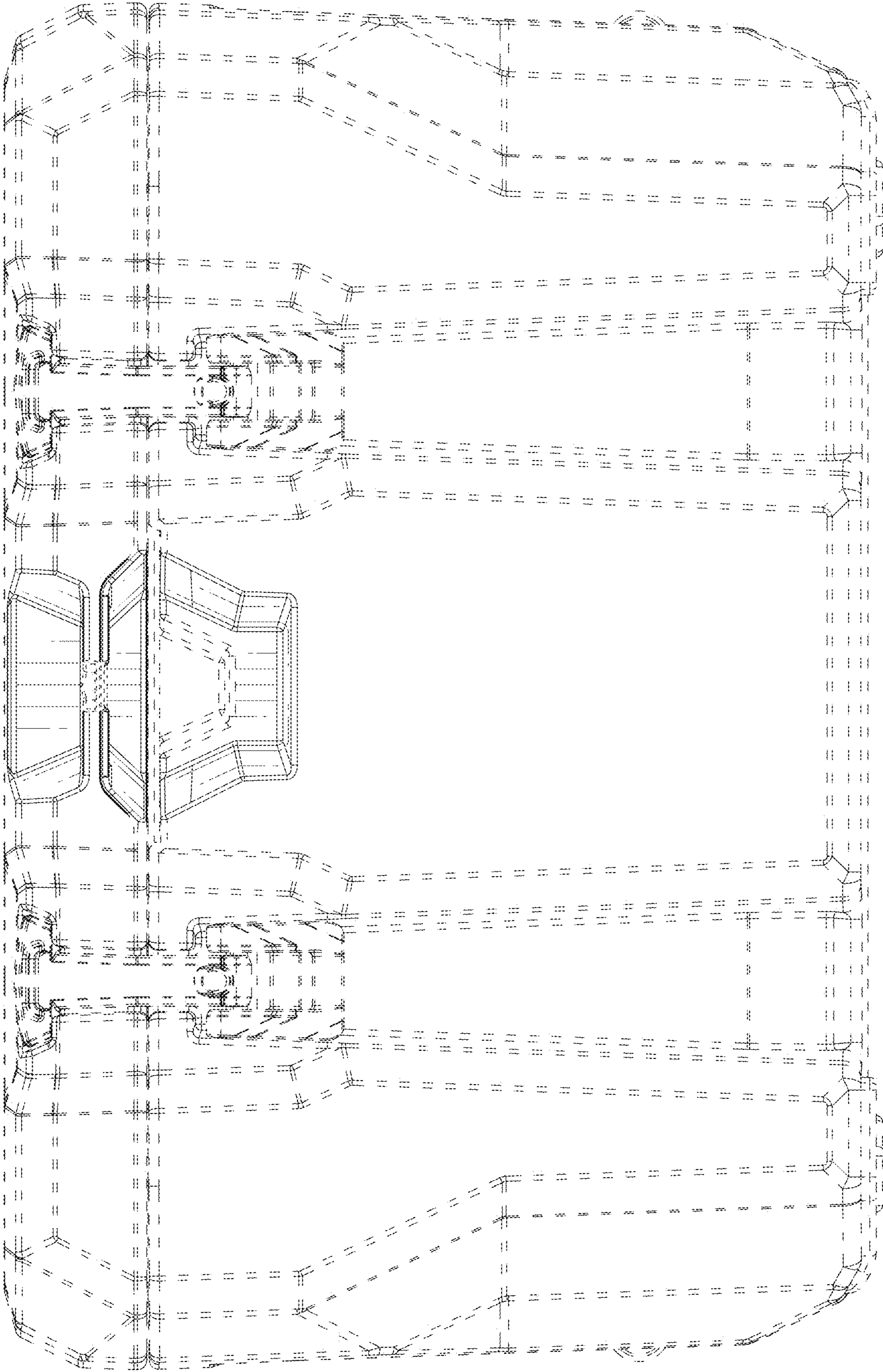


FIG. 2

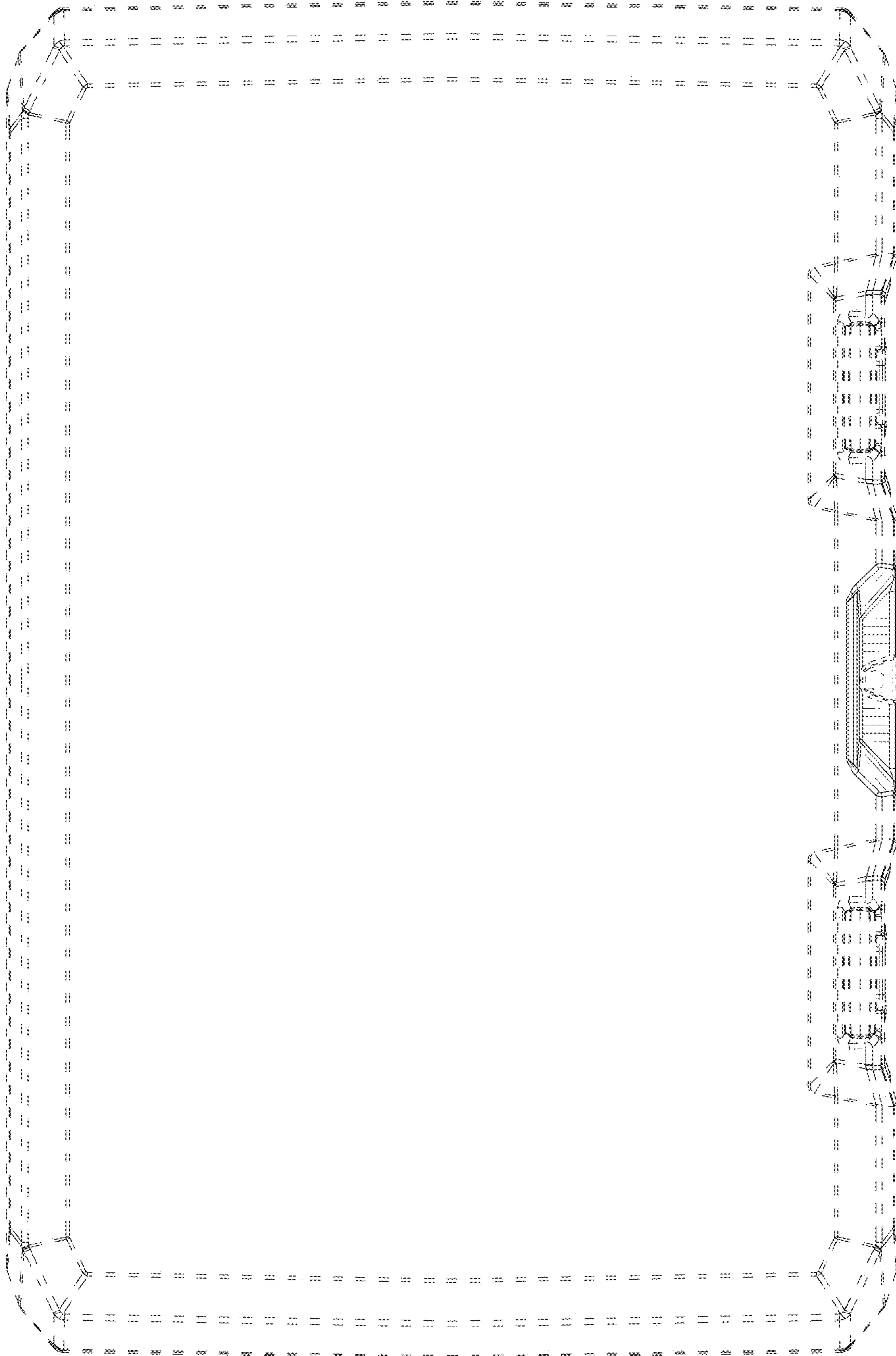


FIG. 3

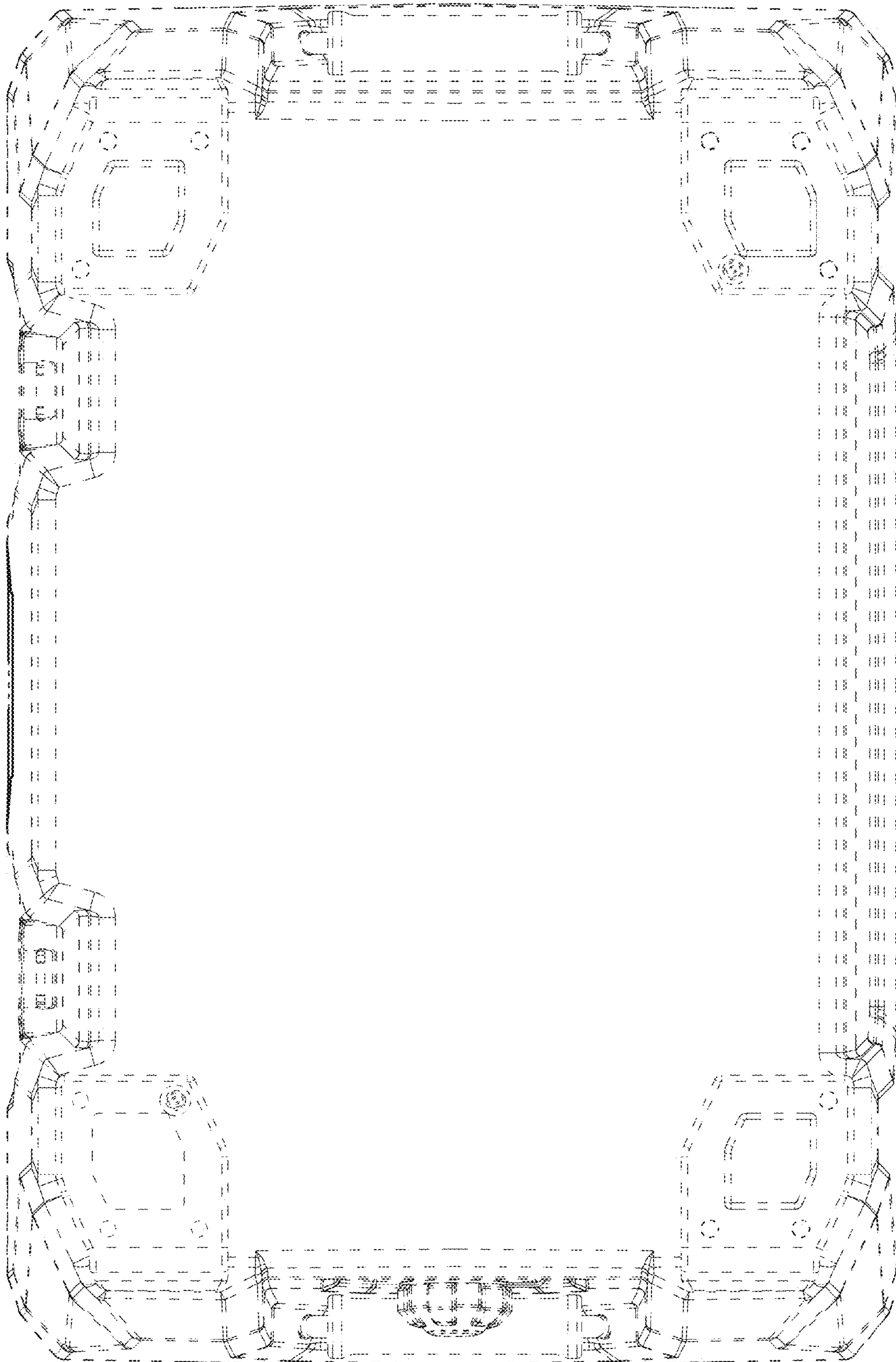


FIG. 4