

US00D891193S

(12) **United States Design Patent** (10) **Patent No.:** **US D891,193 S**
Stanford et al. (45) **Date of Patent:** **** Jul. 28, 2020**

(54) COOLER	D429,966 S * 8/2000 Israel D7/605
	D451,765 S * 12/2001 Israel D7/605
(71) Applicant: LIFETIME PRODUCTS, INC., Clearfield, UT (US)	D545,633 S 7/2007 Hussaini
	D566,479 S * 4/2008 Kabalin D3/273
	D652,262 S 1/2012 Yang
(72) Inventors: Carl R. Stanford, Clearfield, UT (US); Robert A. Astle, Kaysville, UT (US)	8,356,712 B2 1/2013 Piazza, Jr.
	D712,720 S 9/2014 Seiders
	D712,721 S 9/2014 Seiders
	D712,722 S 9/2014 Seiders
(73) Assignee: Lifetime Products, Inc., Clearfield, UT (US)	D712,723 S 9/2014 Seiders
	D714,125 S 9/2014 Seiders
(**) Term: 15 Years	8,887,515 B2 * 11/2014 Patstone F25D 3/08 62/457.2
(21) Appl. No.: 29/644,909	8,910,819 B2 12/2014 Seiders
	D722,474 S 2/2015 Seiders
(22) Filed: Apr. 20, 2018	(Continued)

Related U.S. Application Data

(63) Continuation of application No. 29/602,023, filed on Apr. 27, 2017, now Pat. No. Des. 816,425.

(51) **LOC (12) Cl.** **07-01**

(52) **U.S. Cl.**
USPC **D7/605**

(58) **Field of Classification Search**
USPC D7/603-608, 629, 630; D3/272-274
CPC .. A45C 11/20; A45C 9/00; A45C 5/14; A45C 5/03; F25D 3/14; F25D 3/08; F25D 3/12; F25D 2400/08; F25D 31/005; B65D 81/3813; B65D 81/3823; B65D 81/3888; B65D 81/3889; B65D 81/3816; B65D 81/3858; F24D 2331/804; F25B 19/00; A47J 41/022; A47G 19/2288
See application file for complete search history.

References Cited

U.S. PATENT DOCUMENTS

D325,323 S *	4/1992	Kahl	D7/605
D354,419 S *	1/1995	Kahl	D7/605
D374,772 S *	10/1996	Hotaling	D3/273
D429,606 S	8/2000	Israel		

OTHER PUBLICATIONS

U.S. Appl. No. 29/602,023, filed Apr. 24, 2017, Stanford et al.
(Continued)

Primary Examiner — Terry A Wallace
(74) *Attorney, Agent, or Firm* — Maschoff Brennan

(57) **CLAIM**

The ornamental design for a cooler, as shown and described.

DESCRIPTION

FIG. 1 is a top perspective view of a cooler showing our new design.

FIG. 2 is a bottom perspective view thereof.

FIG. 3 is a front view thereof.

FIG. 4 is a rear view thereof.

FIG. 5 is a left side view thereof.

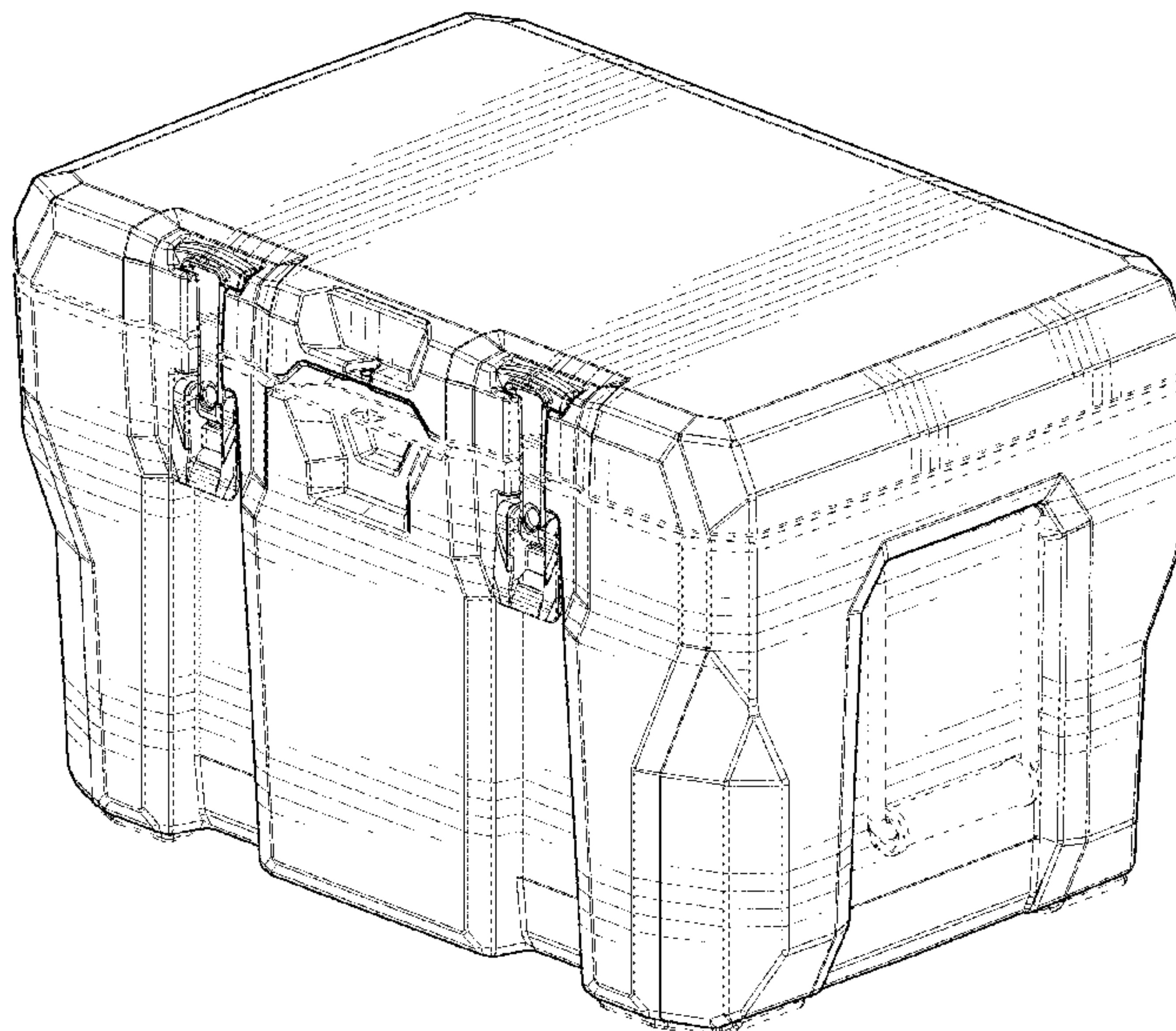
FIG. 6 is a right side view thereof.

FIG. 7 is a top plan view thereof; and,

FIG. 8 is a bottom plan view thereof.

The broken lines are for illustrative purposes only and form no part of the claimed design.

1 Claim, 8 Drawing Sheets



(56)

References Cited

U.S. PATENT DOCUMENTS

D722,475	S	2/2015	Seiders	
9,187,232	B2	11/2015	Seiders	
9,694,521	B2	7/2017	French et al.	
D806,483	S	1/2018	Stanford	
D816,425	S	5/2018	Stanford et al.	
2014/0013789	A1 *	1/2014	Conrad F25D 3/08 62/331
2015/0060470	A1	3/2015	Seiders	
2015/0225164	A1	8/2015	Seiders et al.	
2015/0322698	A1	11/2015	Seiders	
2015/0353263	A1	12/2015	Seiders et al.	
2016/0236849	A1	8/2016	Seiders et al.	
2016/0257479	A1	9/2016	Seiders et al.	

OTHER PUBLICATIONS

Notice of Allowance from U.S. Appl. No. 29/585,896 dated Oct. 18, 2017.

U.S. Appl. No. 29/585,896, filed Nov. 29, 2016, Stanford et al.

Notice of Allowance from U.S. Appl. No. 29/602,023, dated Mar. 29, 2018.

U.S. Appl. No. 15/885,657, filed Jan. 31, 2018, Stanford et al.

U.S. Appl. No. 29/644,911, filed Apr. 20, 2018, Stanford et al.

U.S. Appl. No. 29/644,448, filed Apr. 17, 2018, Stanford et al.

U.S. Appl. No. 29/677,028, filed Jan. 16, 2019, Astle et al.

U.S. Appl. No. 29/677,025, filed Jan. 16, 2019, Astle et al.

U.S. Appl. No. 29/688,014, filed Apr. 17, 2019, Astle et al.

U.S. Appl. No. 29/713,735, filed Nov. 18, 2019, Astle et al.

* cited by examiner

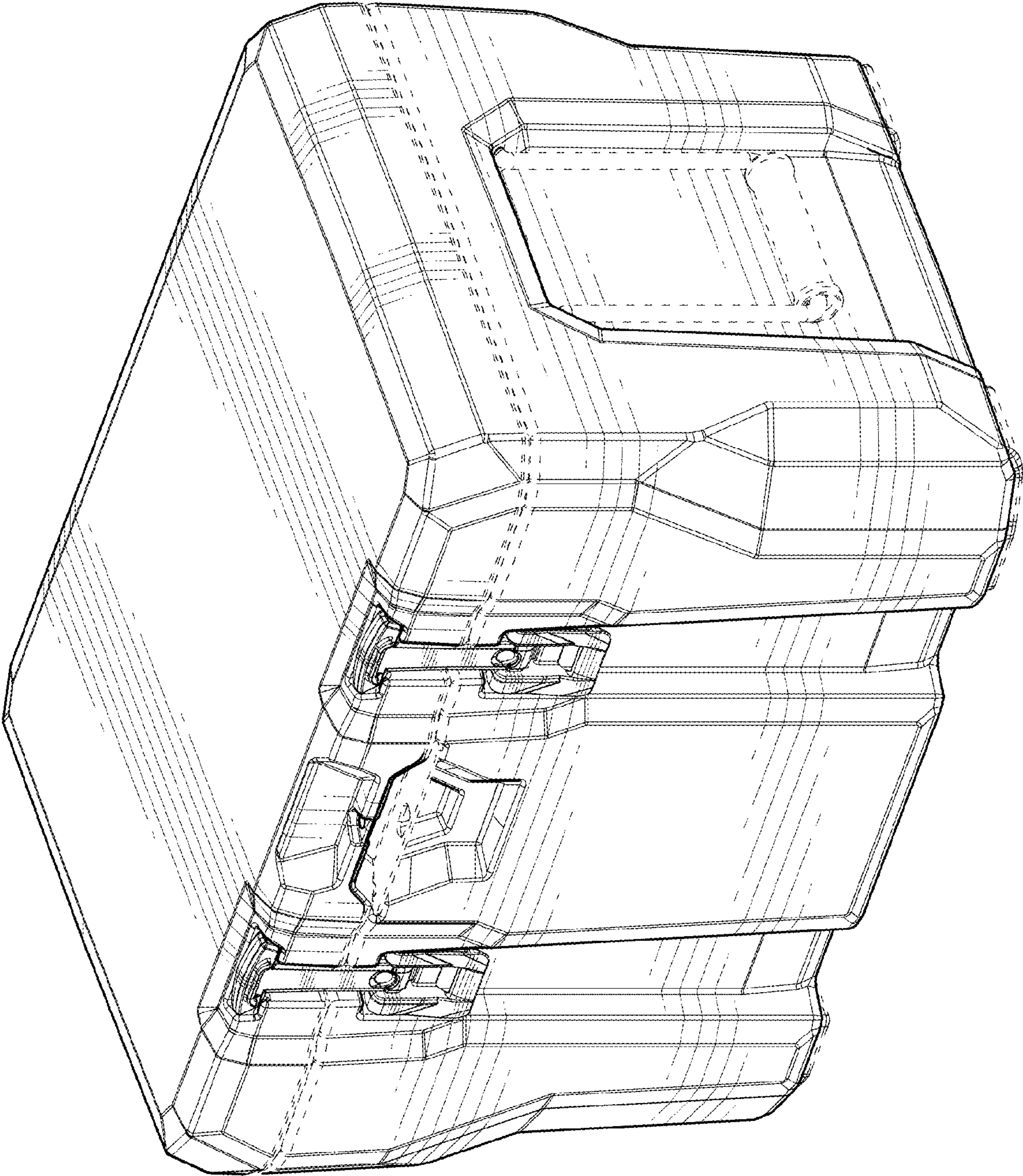


FIG. 1

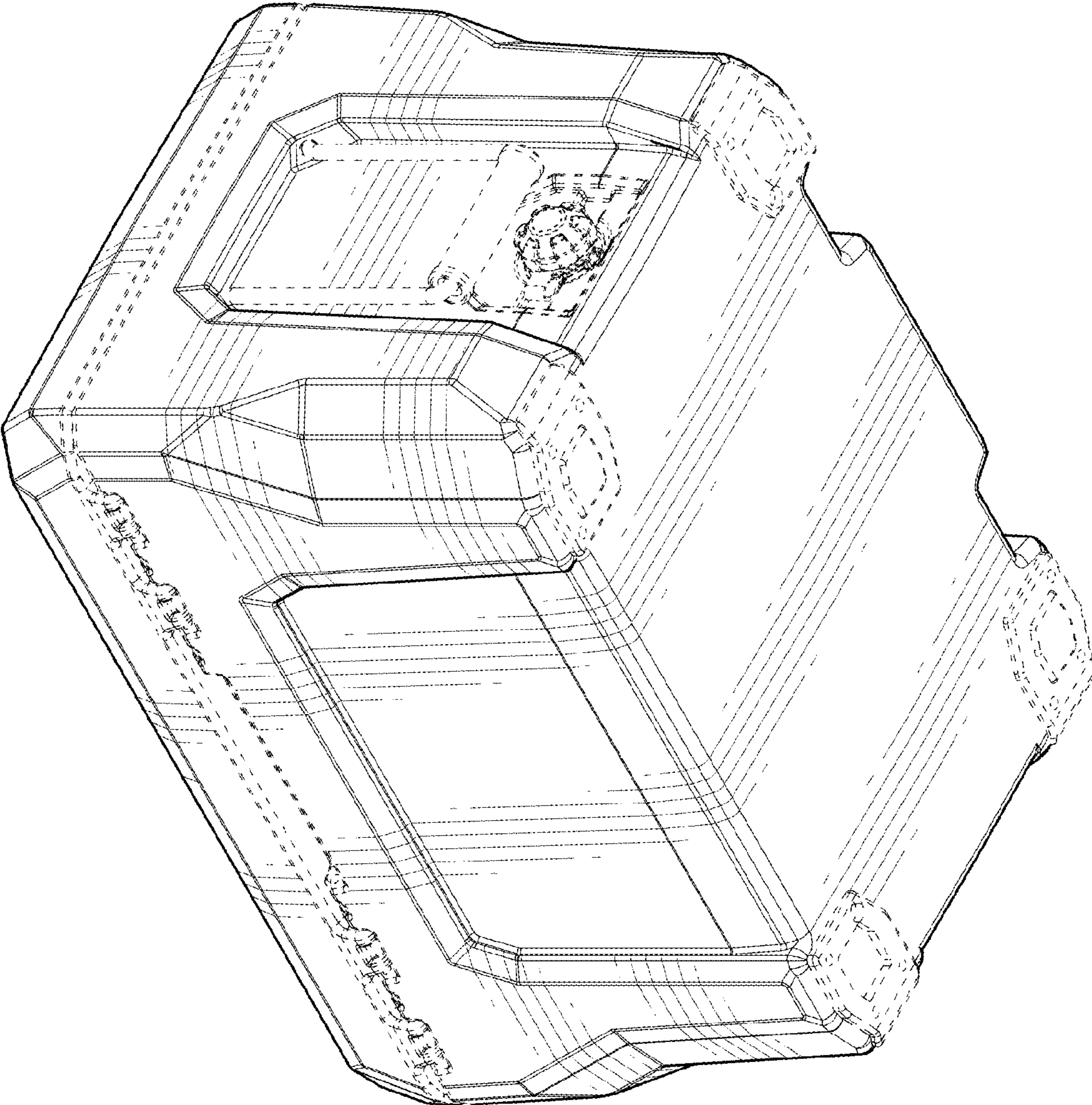


FIG. 2

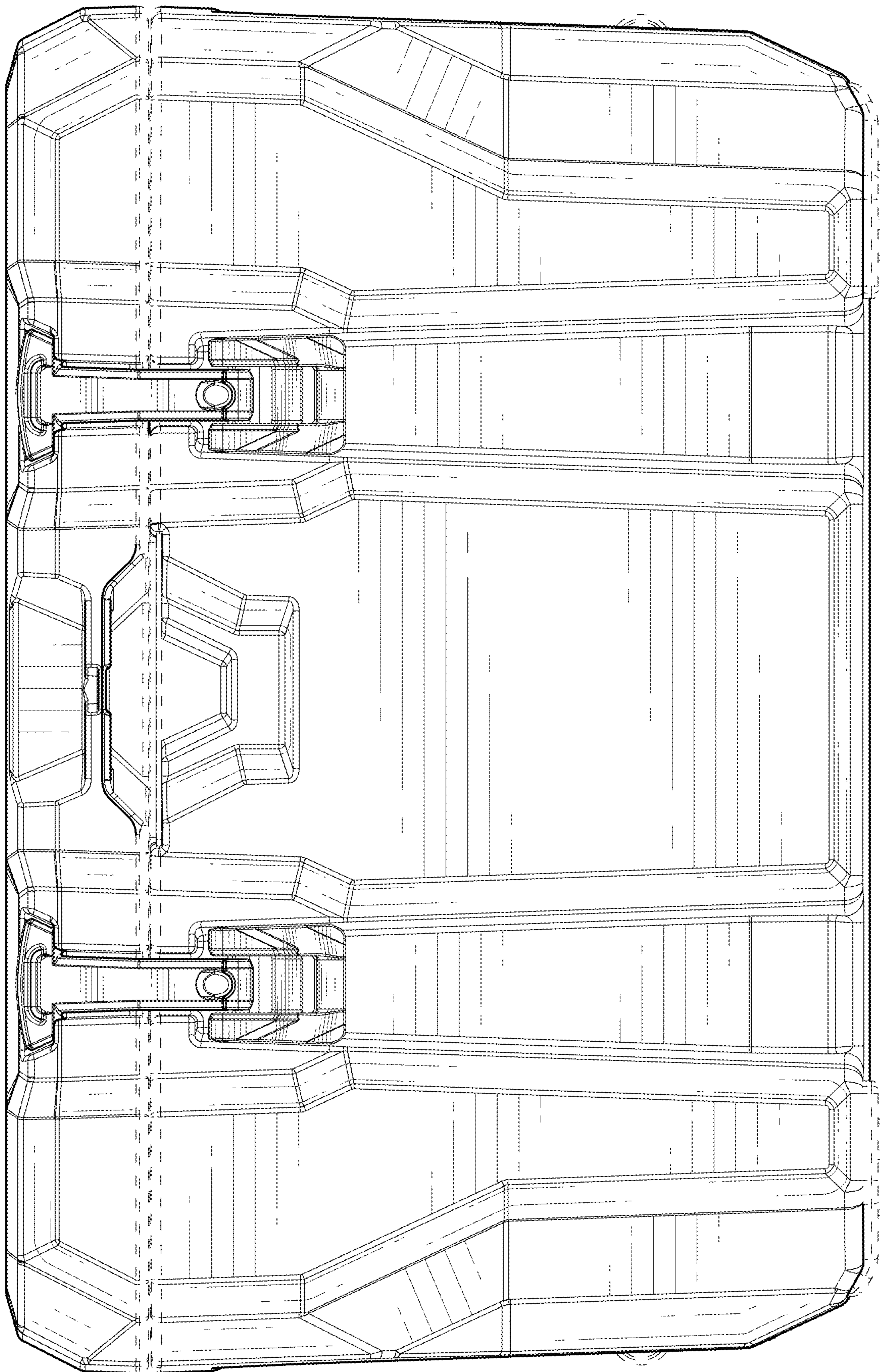


FIG. 3

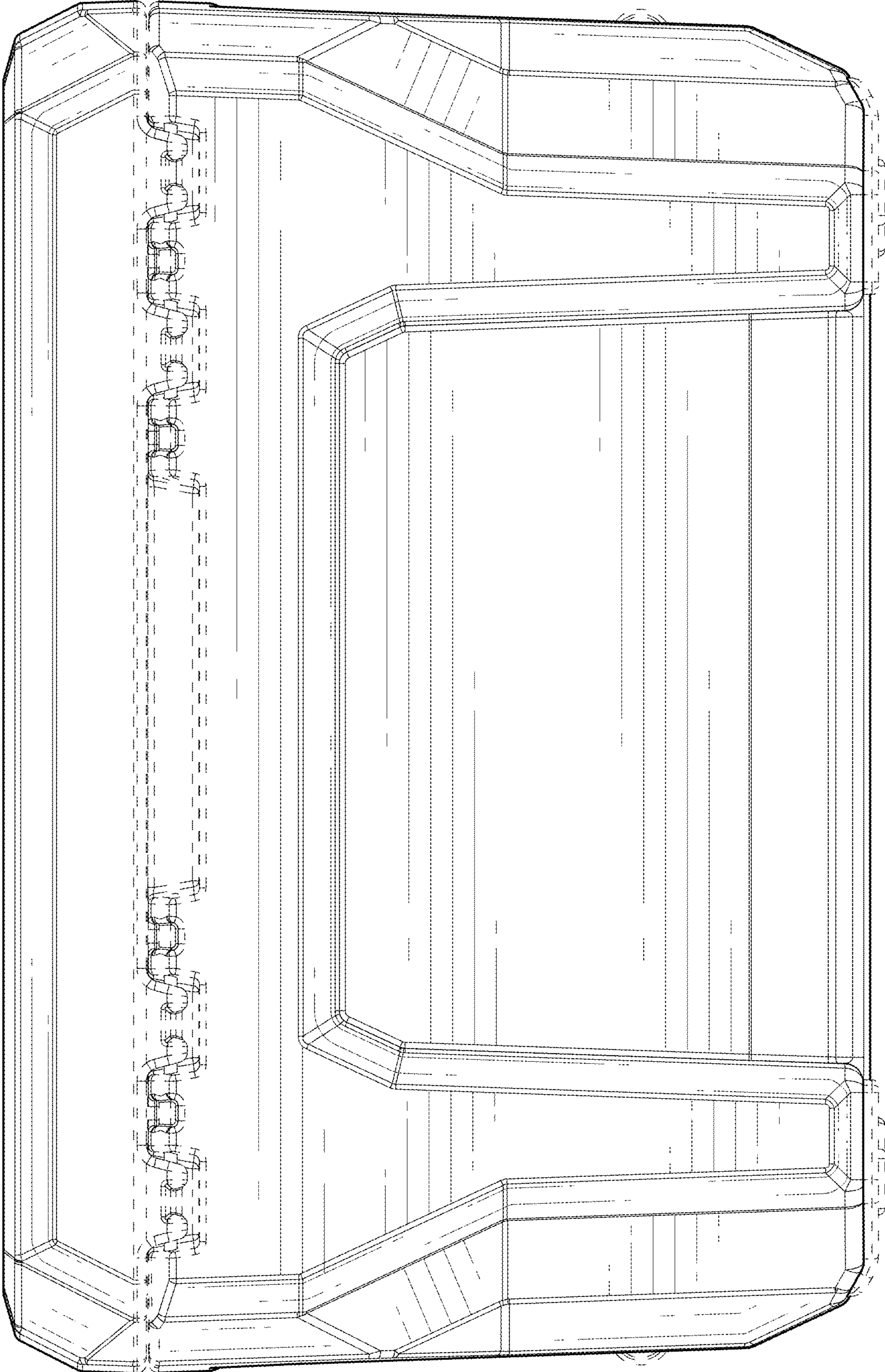


FIG. 4

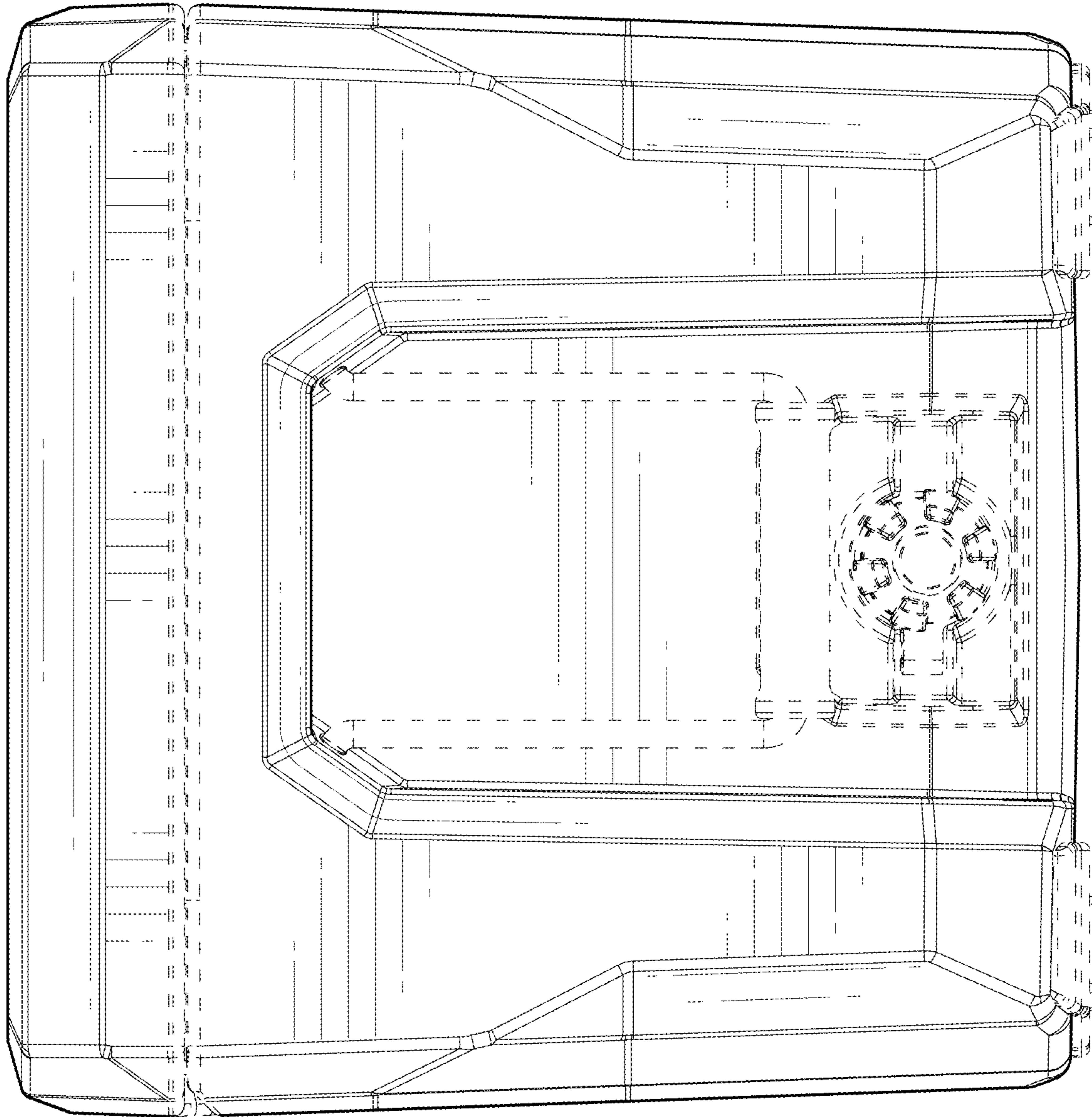


FIG. 5

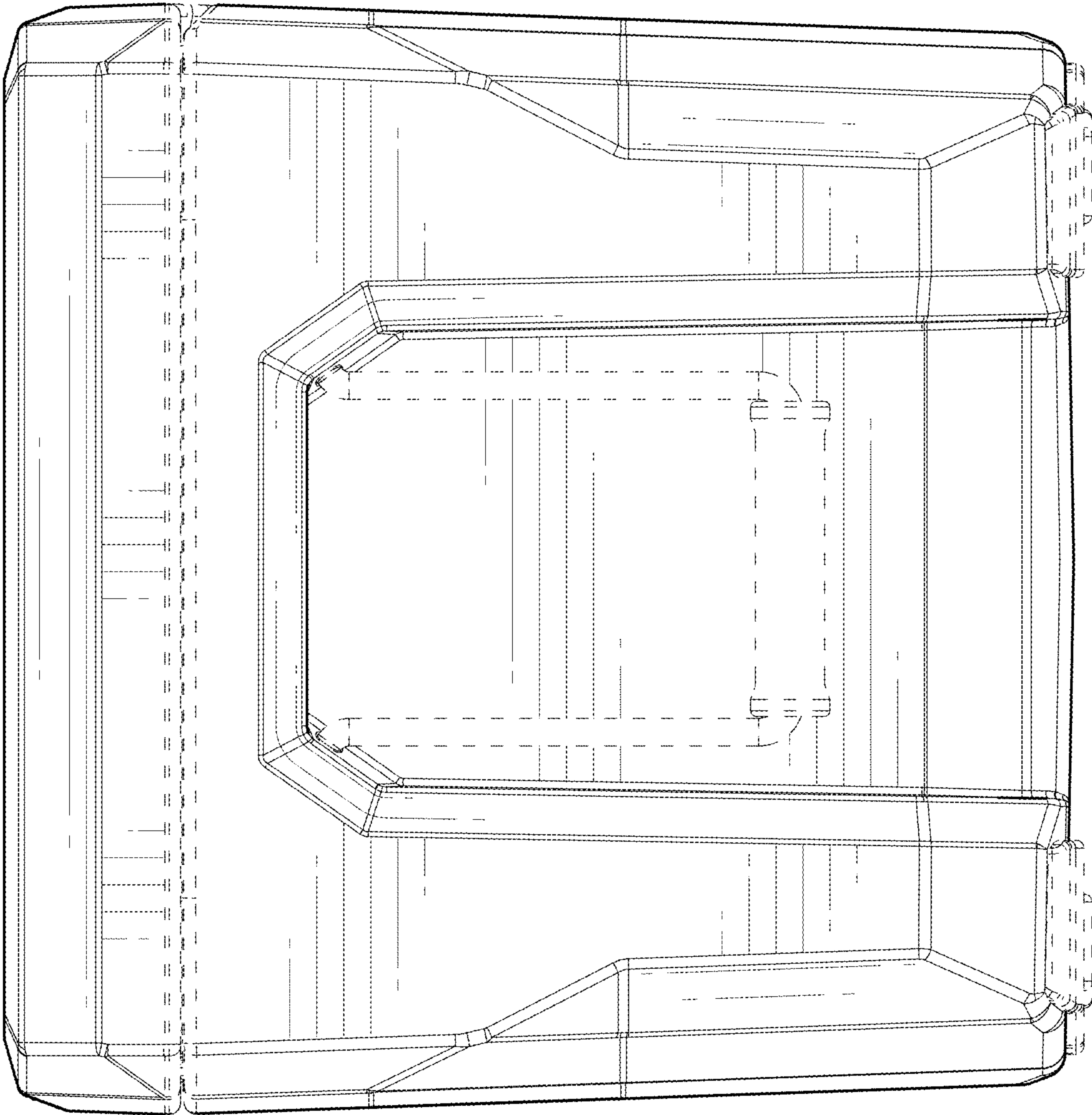


FIG. 6

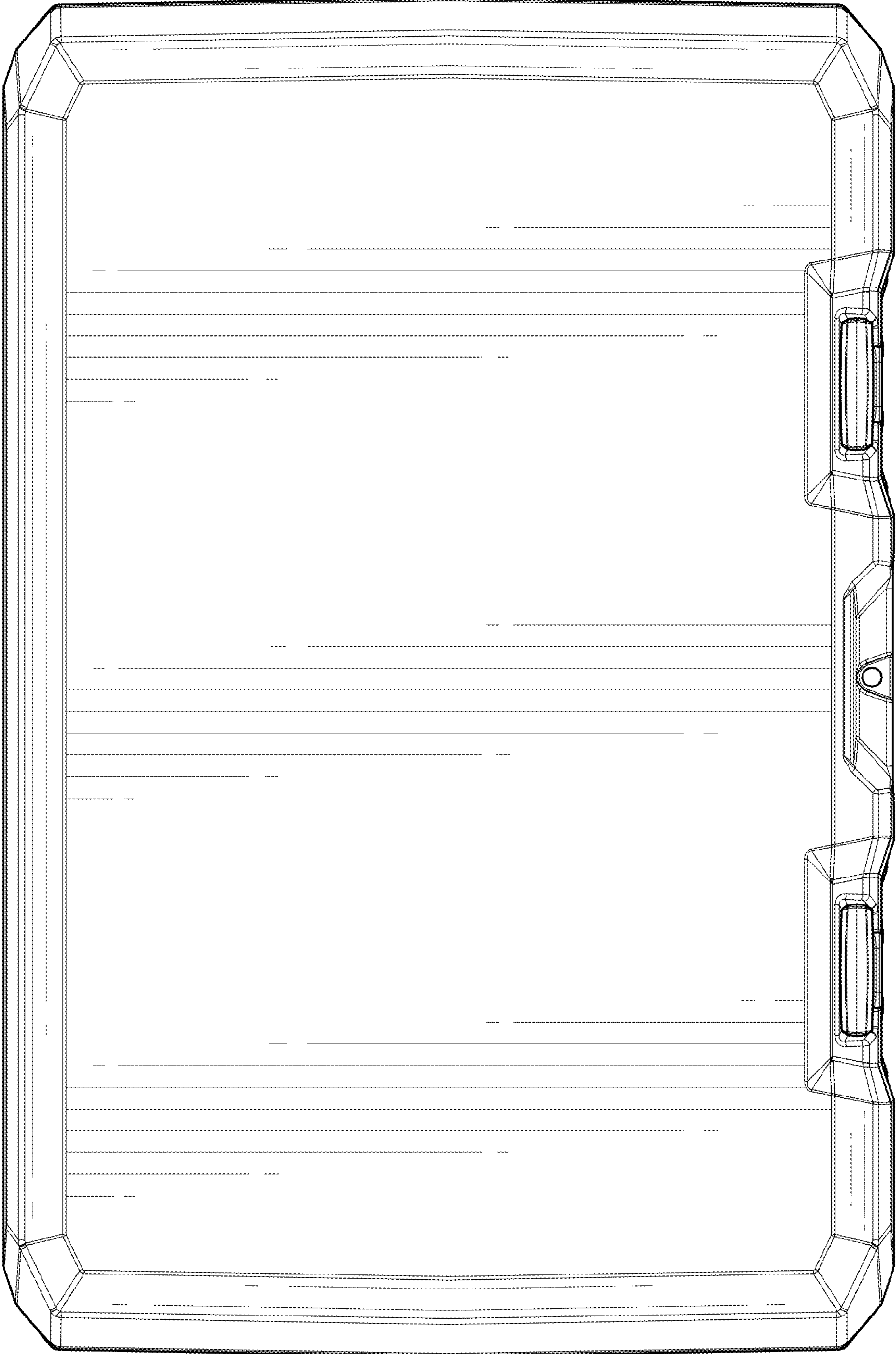


FIG. 7

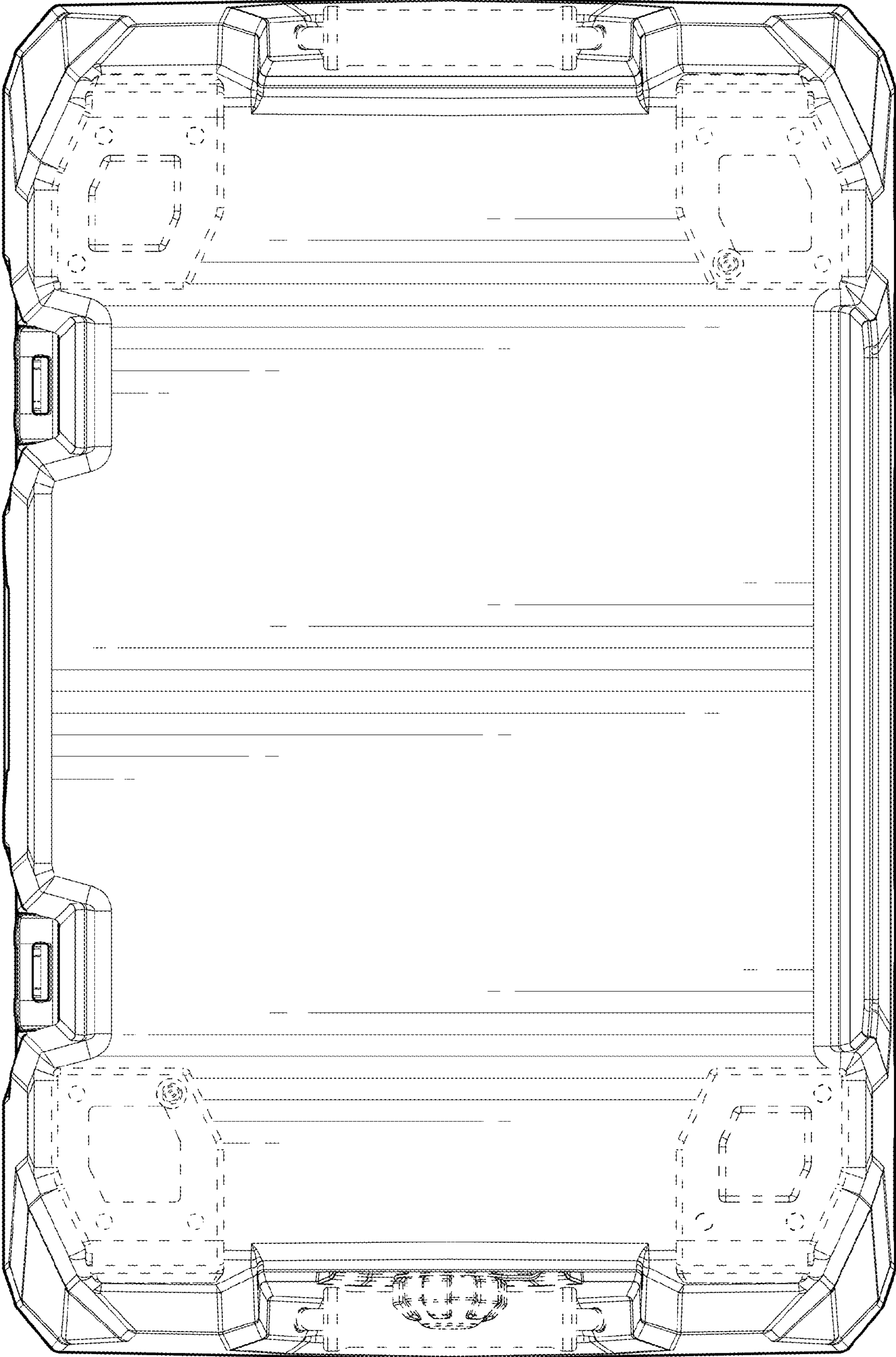


FIG. 8