



US00D891190S

(12) **United States Design Patent** (10) **Patent No.:** **US D891,190 S**
Pierce (45) **Date of Patent:** **** Jul. 28, 2020**

(54) **BOTTLE HOLDER**
(71) Applicant: **Carrick J. Pierce**, New York, NY (US)
(72) Inventor: **Carrick J. Pierce**, New York, NY (US)
(**) Term: **15 Years**
(21) Appl. No.: **29/692,364**
(22) Filed: **May 24, 2019**
(51) **LOC (12) Cl.** **07-07**
(52) **U.S. Cl.**
USPC **D7/601; D7/600.1**
(58) **Field of Classification Search**
USPC D7/500, 584, 602, 600.4, 601, 605, 607,
D7/608, 619.1, 620, 622, 624.1, 624.2,
D7/624.3, 701, 704, 600.1, 600.2, 590;
D3/306; D6/705, 677.1, 574, 571
CPC . A47F 5/01; A47F 5/02; A47F 7/0064; A47G
23/0216; A47G 23/0225; A47G 23/03;
A47G 19/02; A47G 19/025; B65D 1/24;
B65D 1/36; A45C 11/20
See application file for complete search history.

D509,354 S * 9/2005 Tannenhauser D3/229
D509,691 S 9/2005 Doran
7,562,853 B2 7/2009 Mazzola
8,439,209 B2 5/2013 Stollo
D711,189 S * 8/2014 Everard D7/300
9,282,842 B1 3/2016 Brooks
D801,177 S * 10/2017 Gillespie D9/455
D846,300 S * 4/2019 Morales D6/545
D868,048 S * 11/2019 Kepniss D14/238.1
D868,547 S * 12/2019 Moore D7/620
10,631,634 B1 * 4/2020 Pierce A47B 87/007
2014/0360955 A1 12/2014 Presenty
2016/0109176 A1 * 4/2016 Harms F25D 3/08
62/457.5

* cited by examiner

Primary Examiner — Karen S Acker
Assistant Examiner — Steven B Reinholdt, Jr.
(74) *Attorney, Agent, or Firm* — Goldstein Law Offices,
P.C.

(57) **CLAIM**

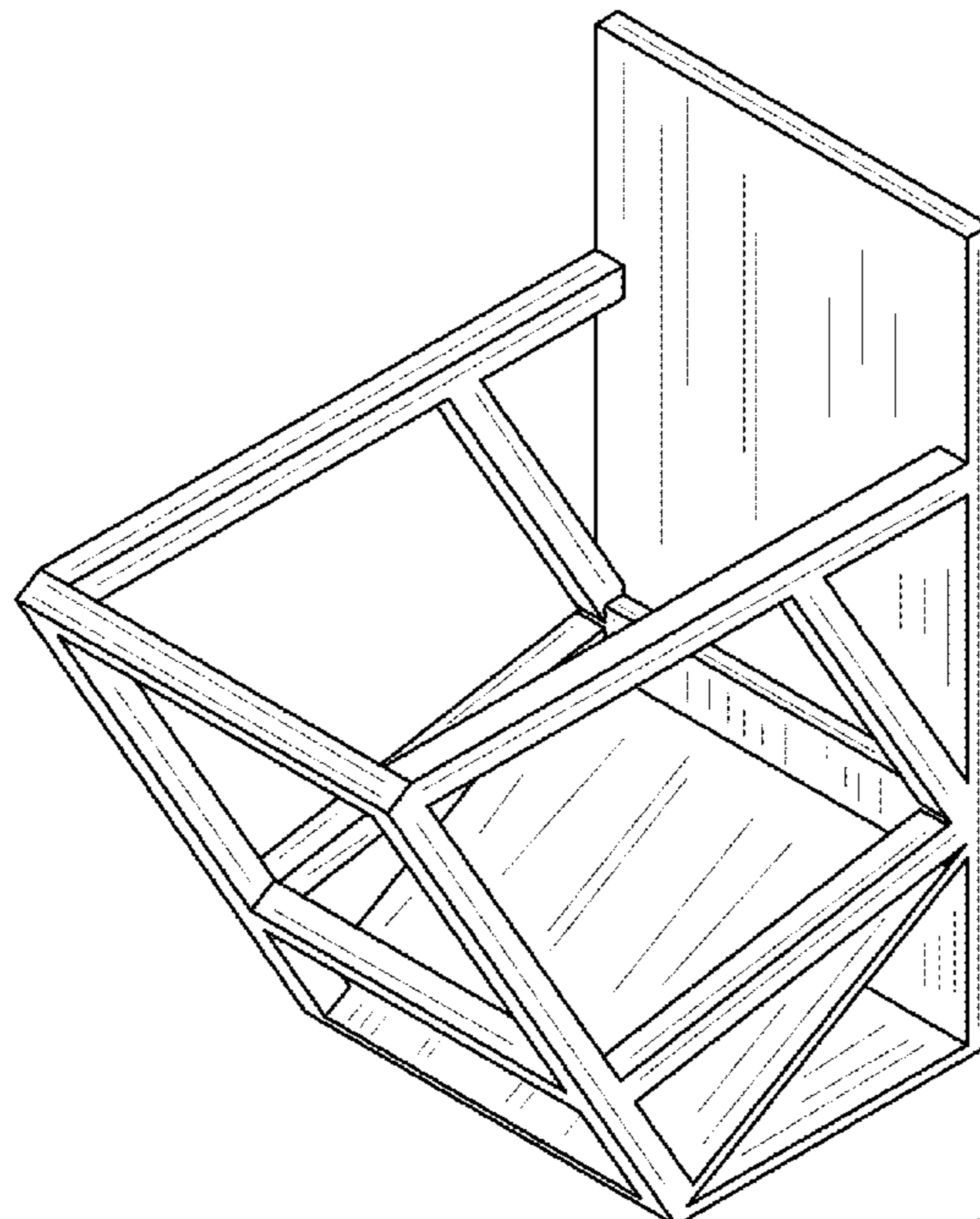
The ornamental design for a bottle holder, as shown and described.

DESCRIPTION

FIG. 1 is a perspective view of the bottle holder showing my new design.
FIG. 2 is a front elevational view thereof.
FIG. 3 is a rear elevational view thereof.
FIG. 4 is a left side elevational view thereof.
FIG. 5 is a right side elevational view thereof.
FIG. 6 is a top plan view thereof; and,
FIG. 7 is a bottom plan view thereof.
The broken lines in FIG. 3 and the area within the broken lines depict portions of the bottle holder that form no part of the claimed design.

(56) **References Cited**
U.S. PATENT DOCUMENTS
1,378,902 A 5/1921 Roehl
D125,285 S * 2/1941 Ohlhaber D7/619.1
D137,129 S * 1/1944 Oconnell et al. D7/619.1
D175,159 S * 7/1955 Dunkle D7/620
4,064,992 A 12/1977 Ralston et al.
D251,352 S * 3/1979 Menius D7/619.1
4,378,889 A 4/1983 Lebowitz
D340,622 S * 10/1993 Park D6/513
D355,336 S * 2/1995 Dickey D7/620
D402,512 S 12/1998 Lee et al.
6,808,149 B1 10/2004 Sendowski et al.

1 Claim, 4 Drawing Sheets



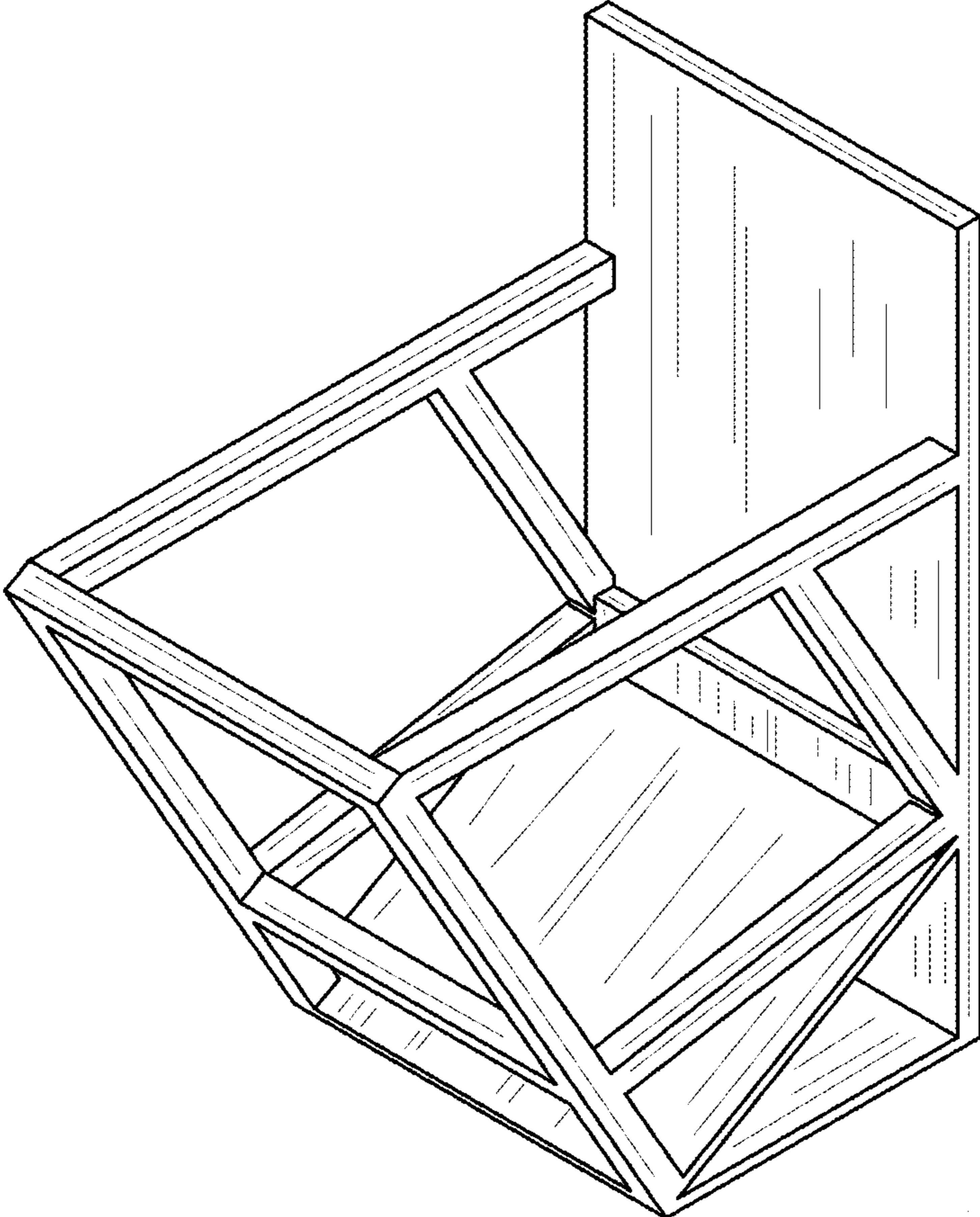


FIG. 1

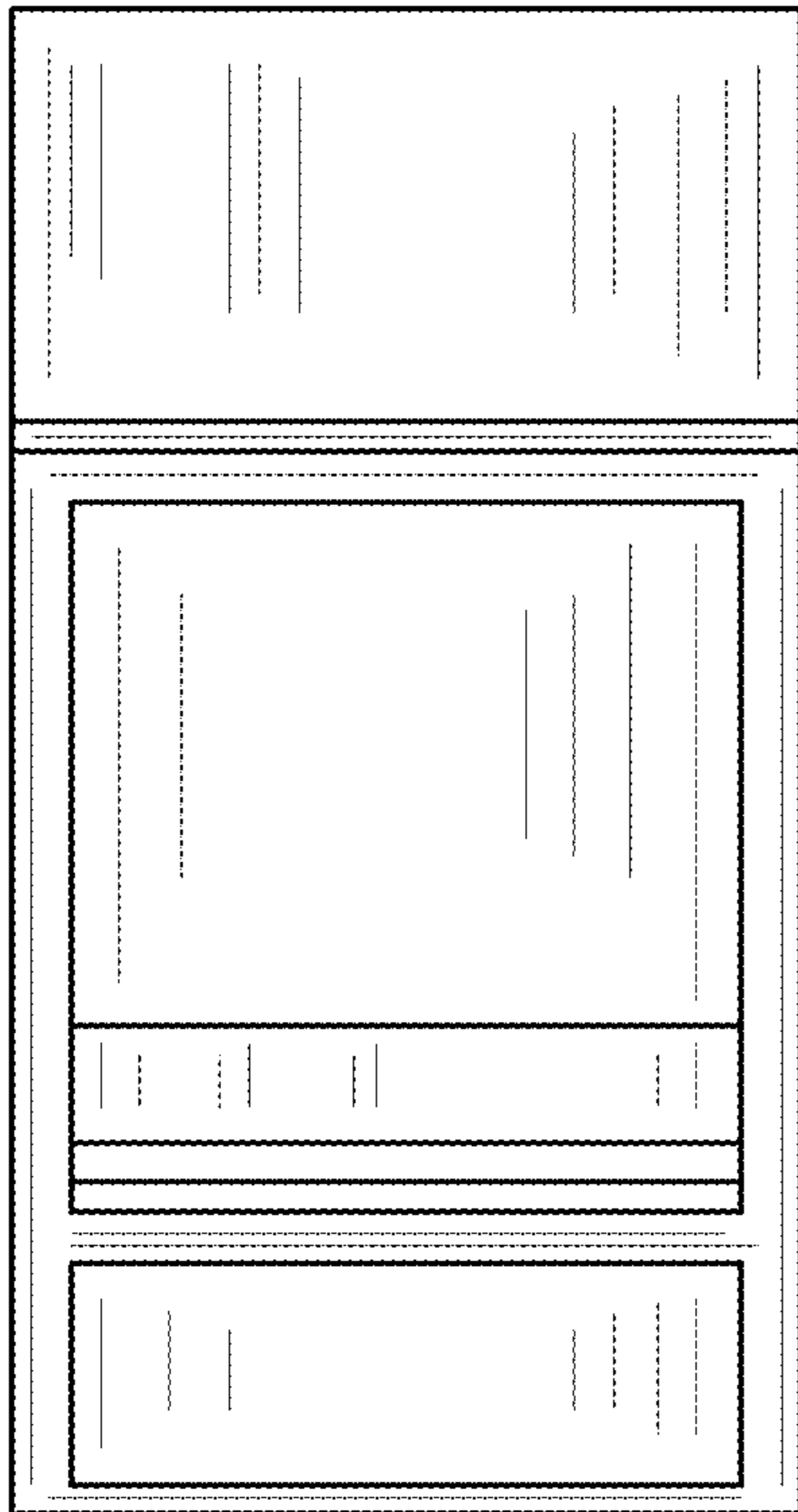


FIG. 2

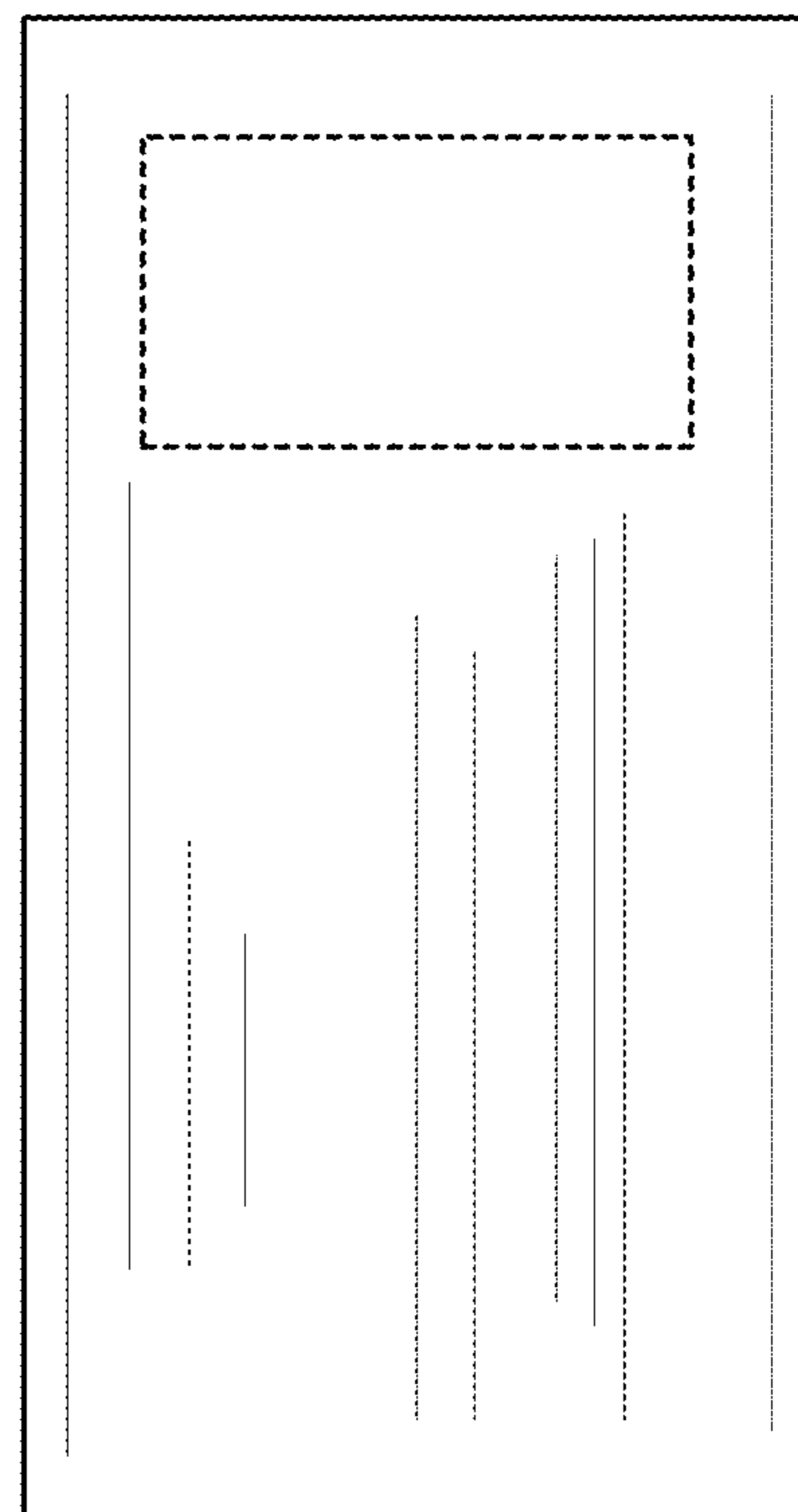
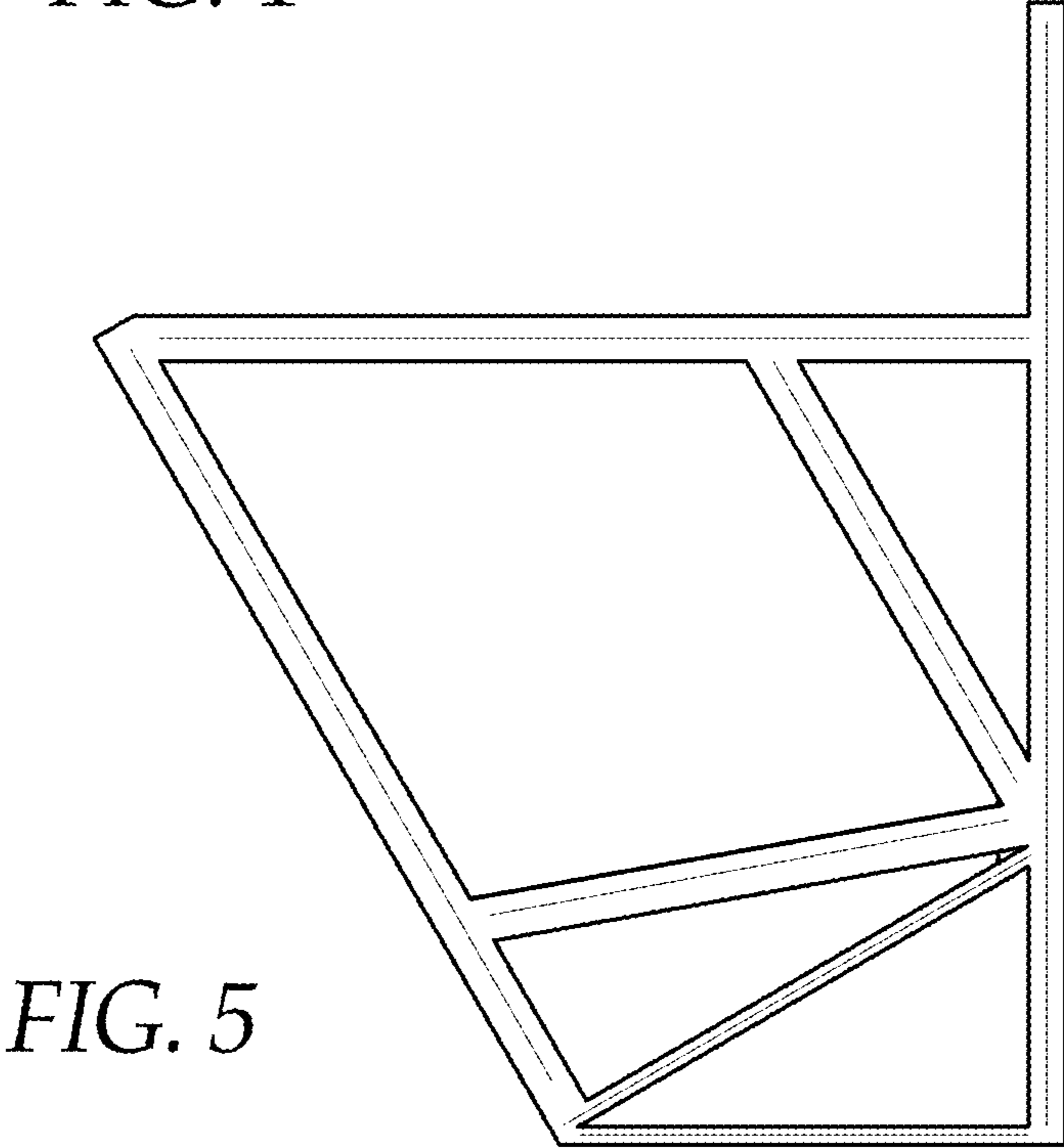
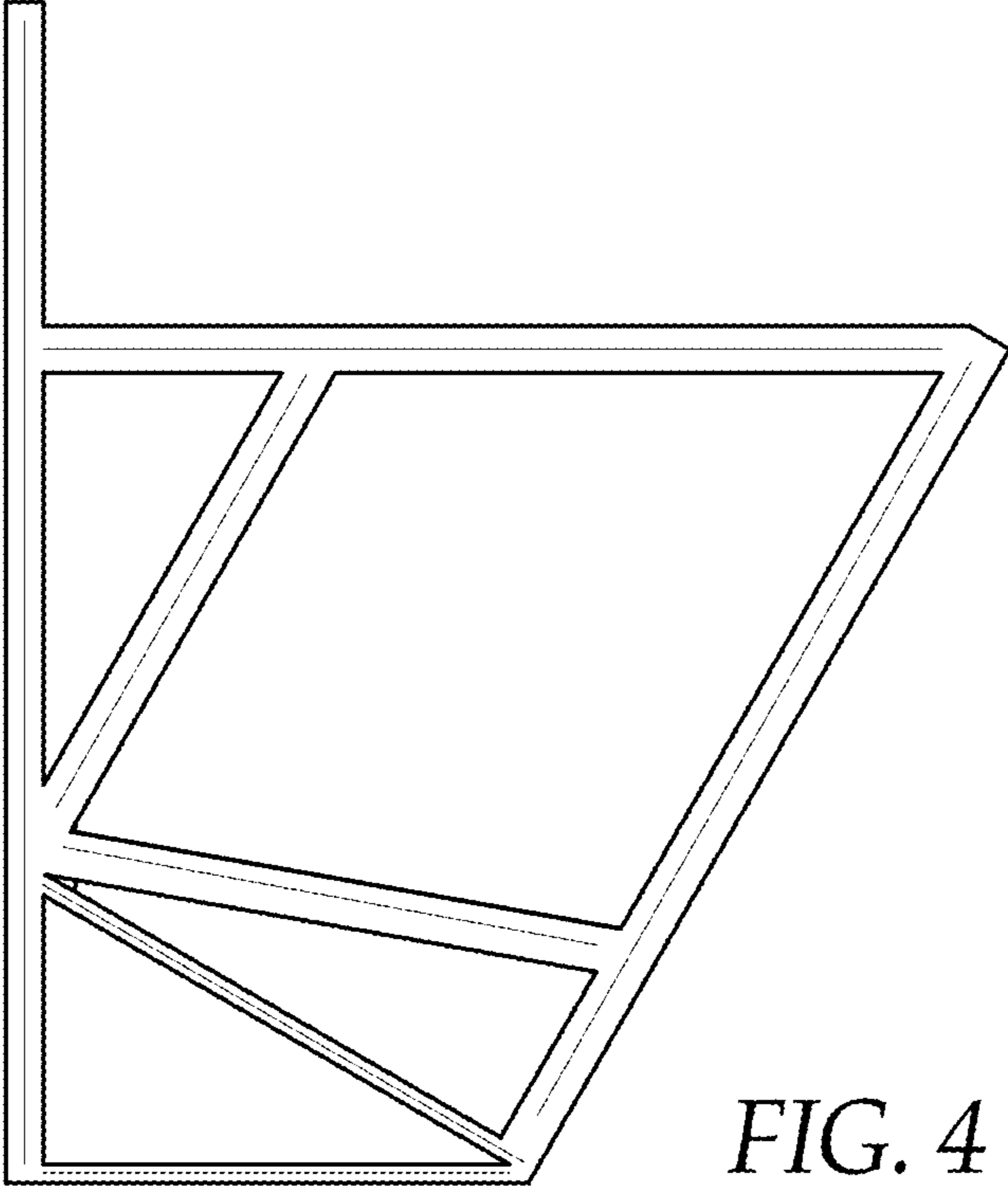


FIG. 3



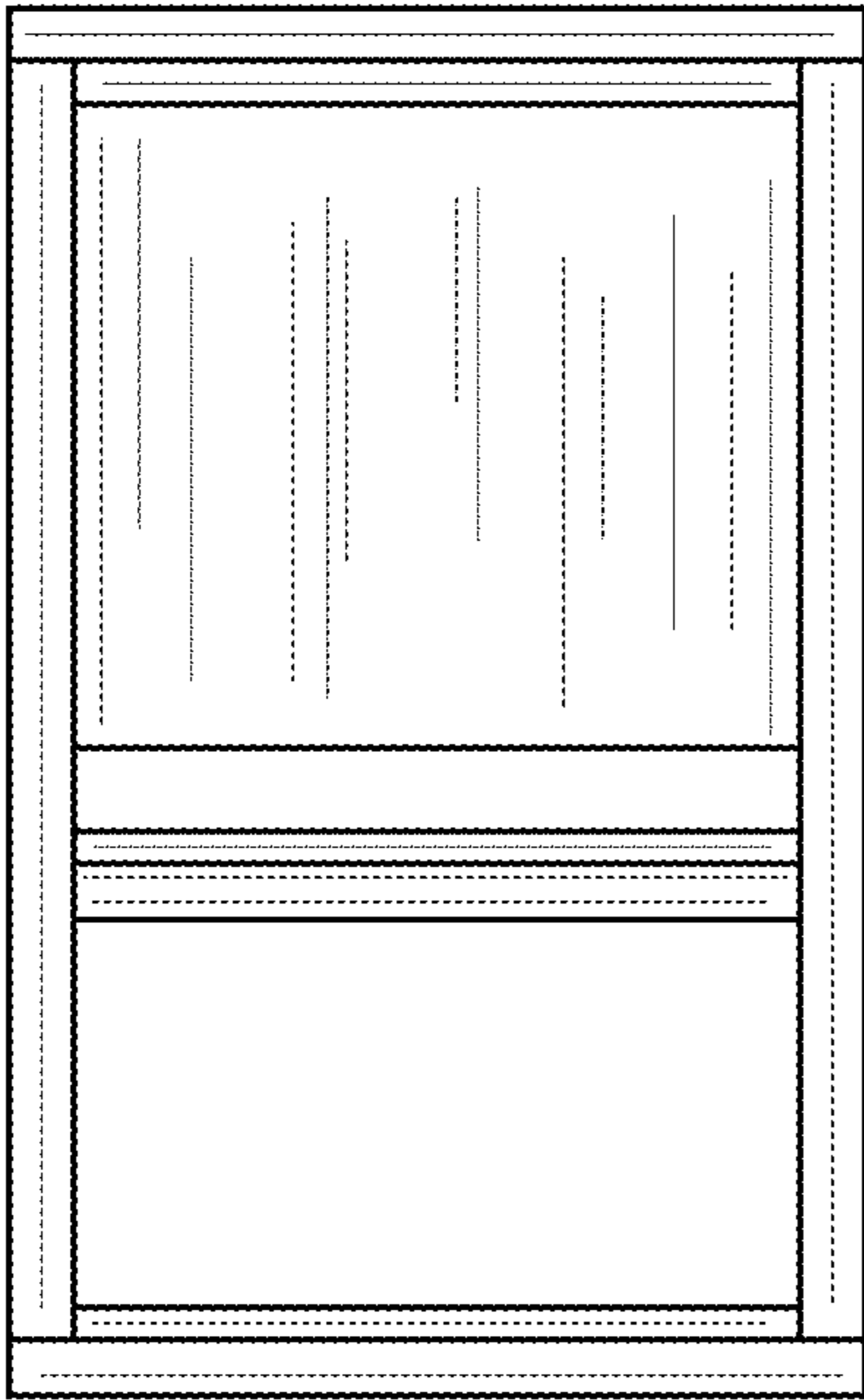


FIG. 6

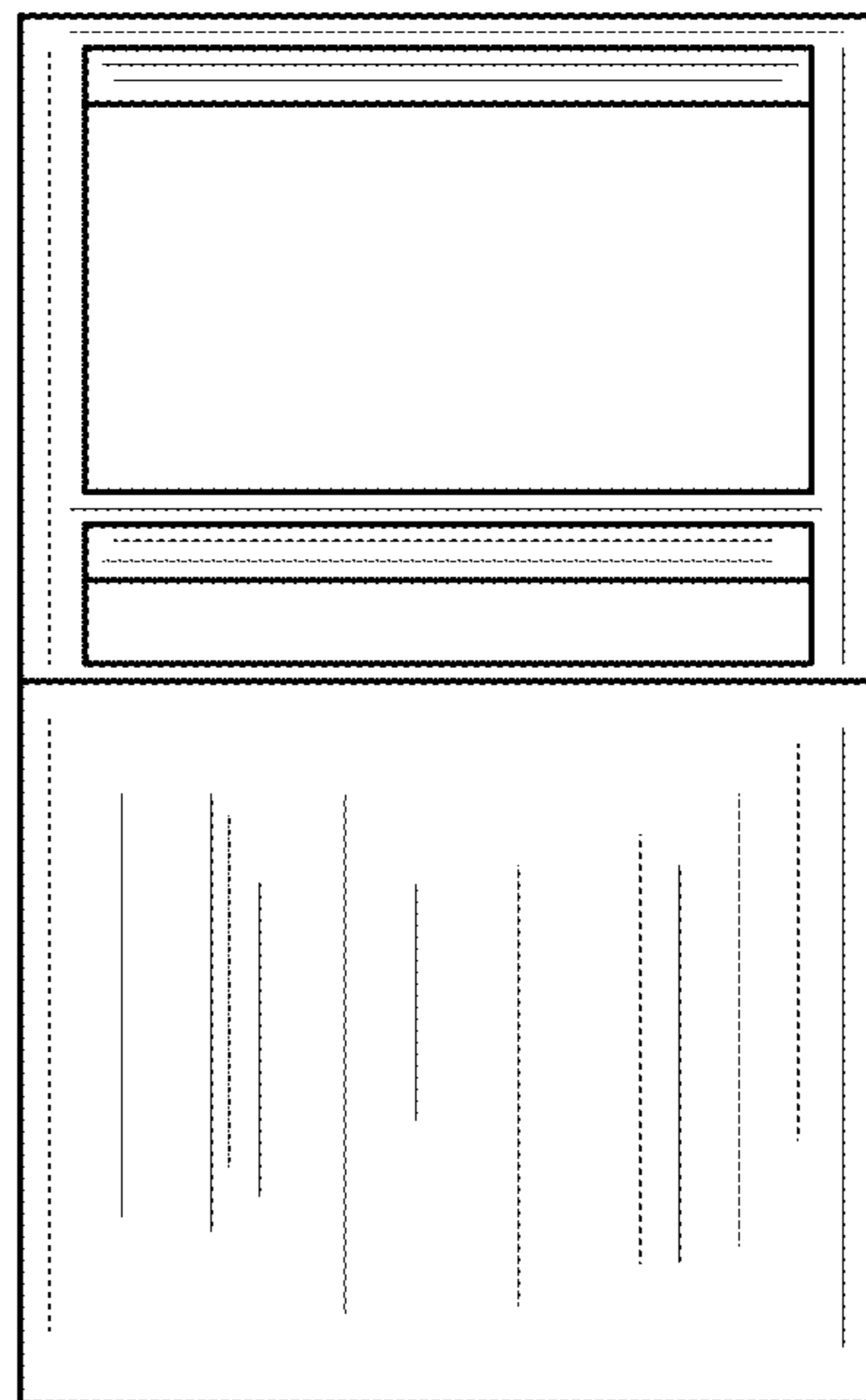


FIG. 7