



US00D891189S

(12) **United States Design Patent**
Gee, II

(10) **Patent No.:** **US D891,189 S**
(45) **Date of Patent:** **** Jul. 28, 2020**

- (54) **TIERED SERVER**
- (71) Applicant: **Spectrum Diversified Designs, LLC**,
Streetsboro, OH (US)
- (72) Inventor: **Jack W. Gee, II**, Willoughby, OH (US)
- (73) Assignee: **SPECTRUM DIVERSIFIED**
DESIGNS, LLC, Streetsboro, OH (US)
- (**) Term: **15 Years**
- (21) Appl. No.: **29/688,934**
- (22) Filed: **Apr. 25, 2019**
- (51) **LOC (12) Cl.** **07-07**
- (52) **U.S. Cl.**
USPC **D7/601**
- (58) **Field of Classification Search**
USPC D7/500, 584, 602, 600.4, 601, 605, 607,
D7/608, 619.1, 620, 622, 624.1, 624.2,
D7/624.3, 701, 704; D3/306
CPC A47G 19/02; A47G 19/025; B65D 1/24;
B65D 1/36; A45C 11/20
See application file for complete search history.

D876,170 S * 2/2020 Wilson D7/601
D876,171 S * 2/2020 Dittrich D7/601
2011/0253711 A1* 10/2011 Hertaus A47F 5/05
220/4.27

OTHER PUBLICATIONS

Spectrum, Opus Arched 2-Tier Server, Publication date unknown,
[site visited Apr. 22, 2020], Available on the Internet URL <https://www.spectrumdiversified.com/products/opus-arched-2-tier-server> (Year:
2020).*

Contempo Ellipse Fruit Tree, Amazon.com website page, <https://www.spectrumdiversified.com/products/contempo-ellipse-fruit-tree>,
dated Apr. 5, 2019, 1 page.

* cited by examiner

Primary Examiner — Karen S Acker
Assistant Examiner — Steven B Reinholdt, Jr.
(74) *Attorney, Agent, or Firm* — Tucker Ellis LLP

(57) **CLAIM**

The ornamental design for a tiered server, as shown and described.

(56) **References Cited**

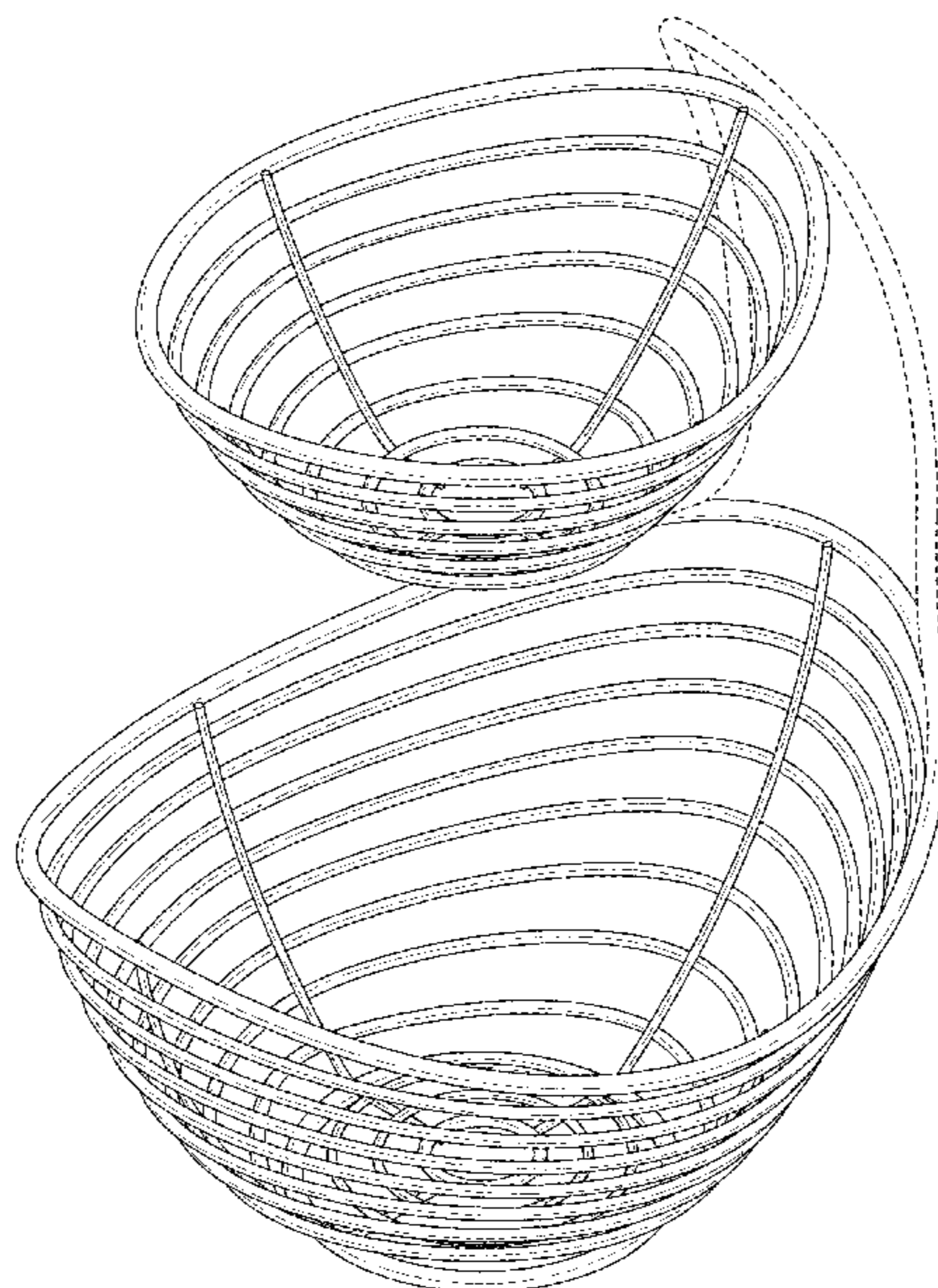
U.S. PATENT DOCUMENTS

- 4,250,664 A * 2/1981 Remke A01G 23/04
47/76
- D664,006 S * 7/2012 Goodman D7/601
- D664,007 S * 7/2012 Goodman D7/601
- D748,439 S * 2/2016 Goodman D7/601
- D771,442 S * 11/2016 Goodman D7/602
- D784,762 S * 4/2017 Goodman D7/500
- D785,404 S * 5/2017 Goodman D7/500
- D788,528 S * 6/2017 Goodman D7/500
- D794,396 S * 8/2017 Goodman D7/601
- D811,170 S * 2/2018 Goodman D7/601
- D833,223 S * 11/2018 Wilson D7/500
- D849,480 S * 5/2019 Goodman D7/500

DESCRIPTION

FIG. 1 is a perspective view of a tiered server showing my new design;
FIG. 2 is a front view thereof;
FIG. 3 is a rear view thereof;
FIG. 4 is a right side view thereof;
FIG. 5 is a left side view thereof;
FIG. 6 is a top view thereof; and,
FIG. 7 is a bottom view thereof.
The broken lines show portions of the design that form no part of the claimed design.

1 Claim, 5 Drawing Sheets



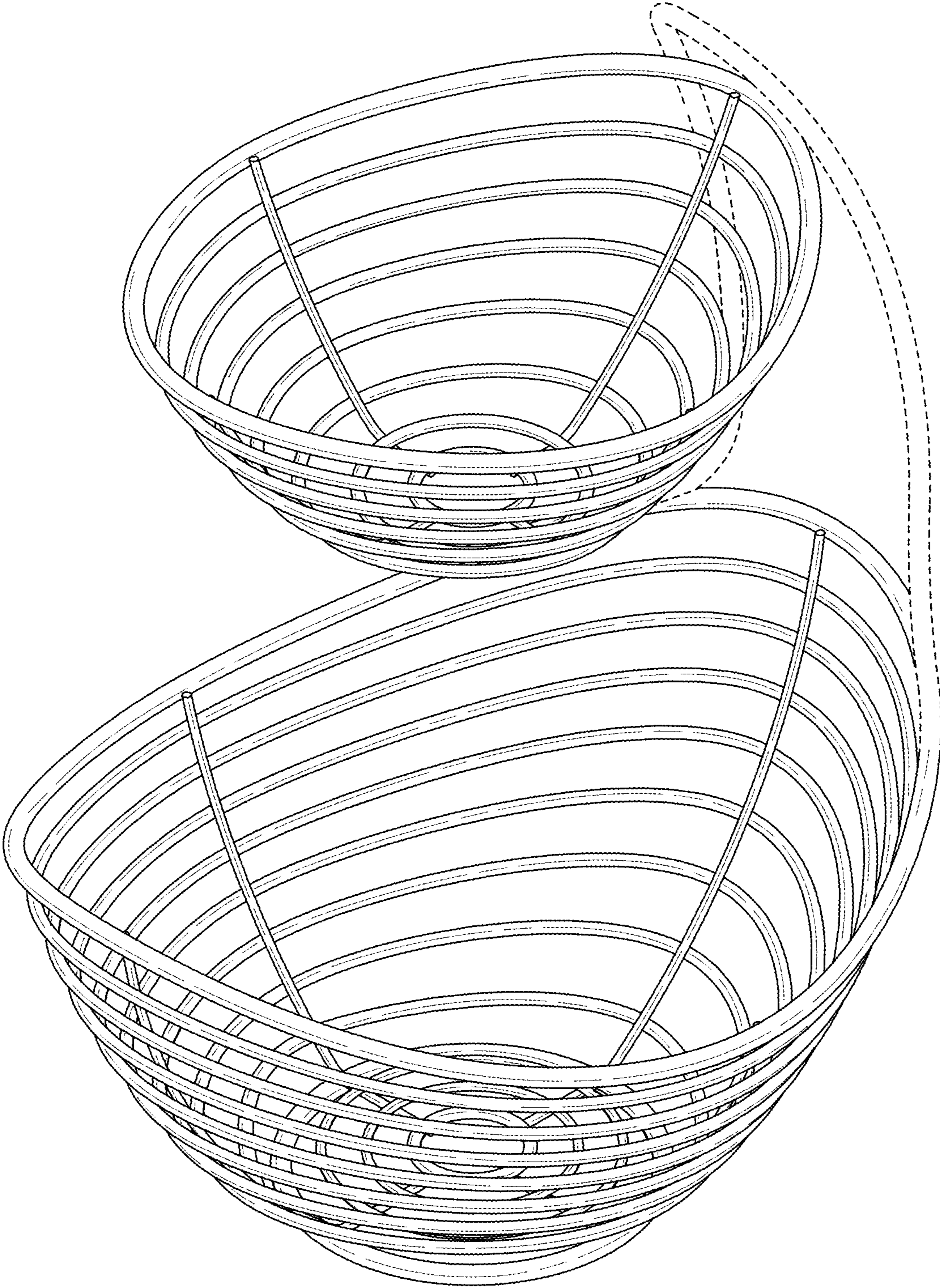


FIG. 1

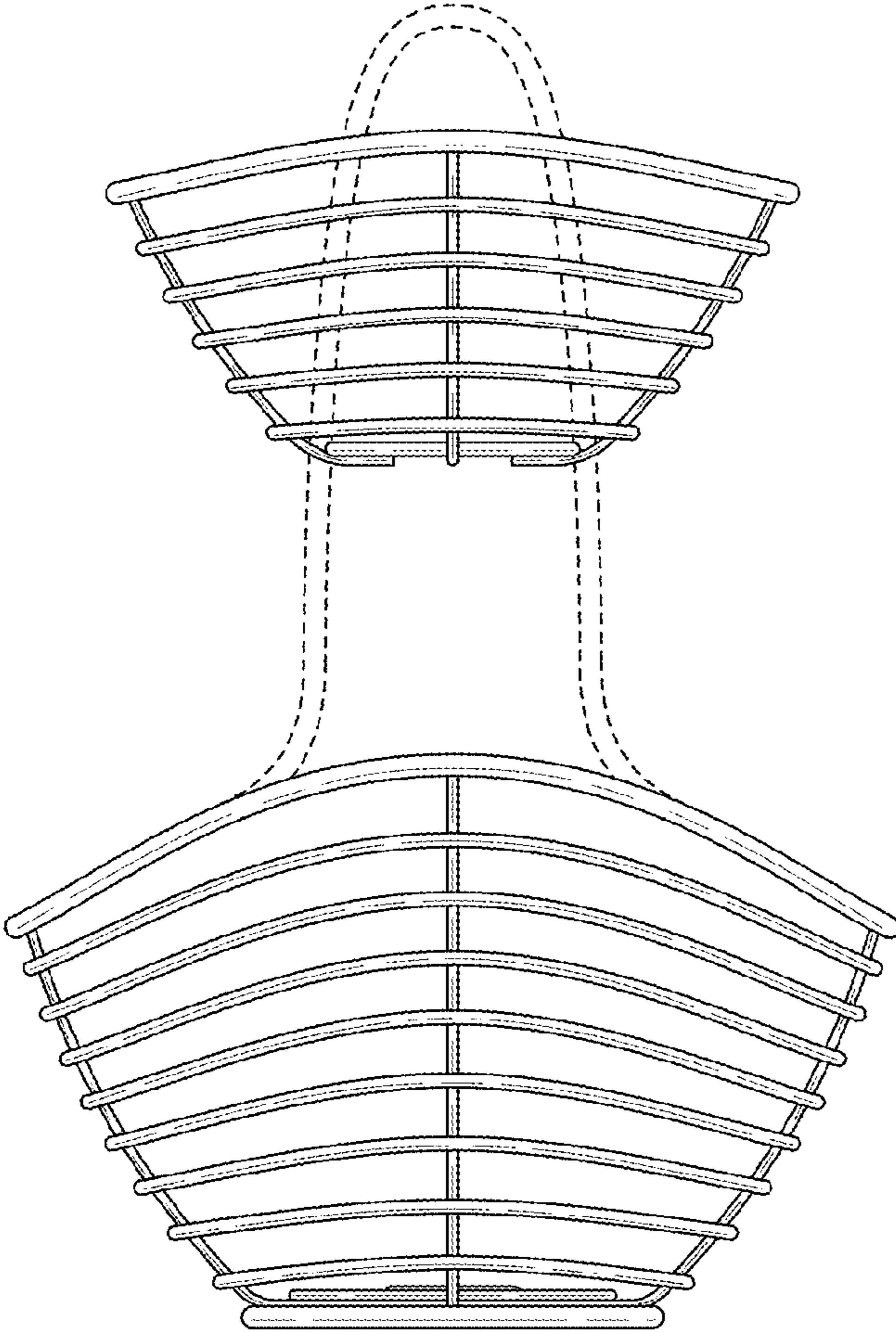


FIG. 2

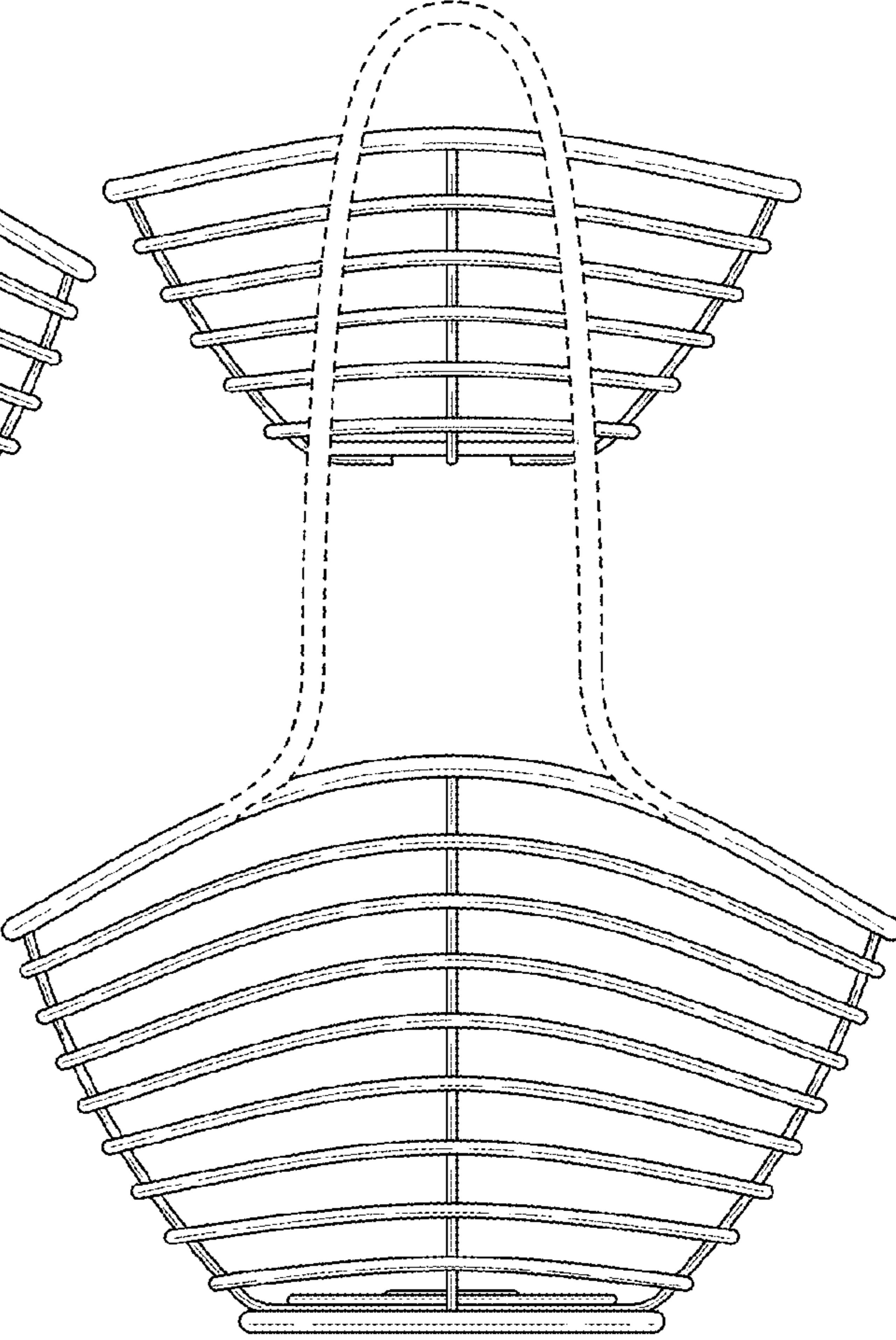


FIG. 3

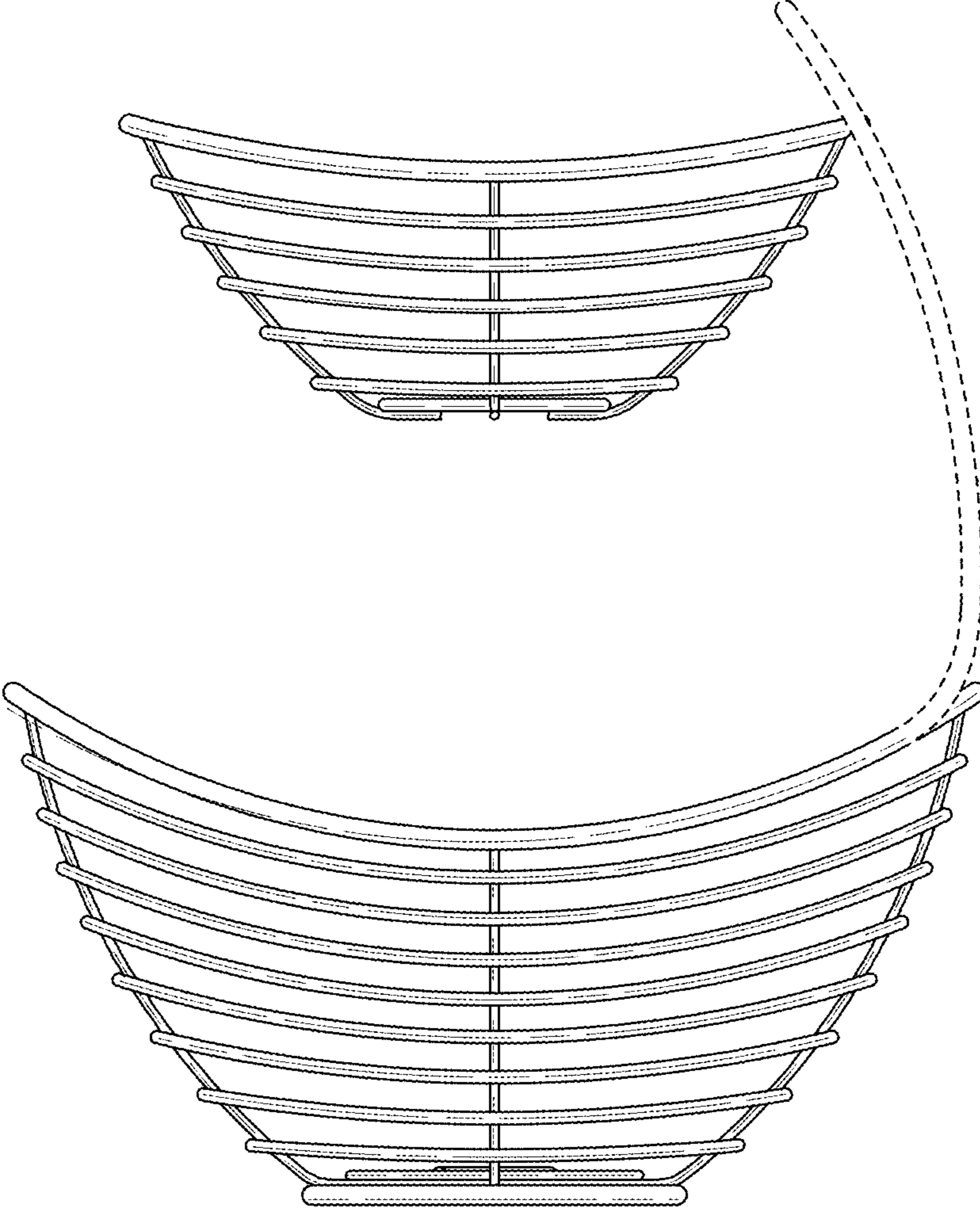


FIG. 4

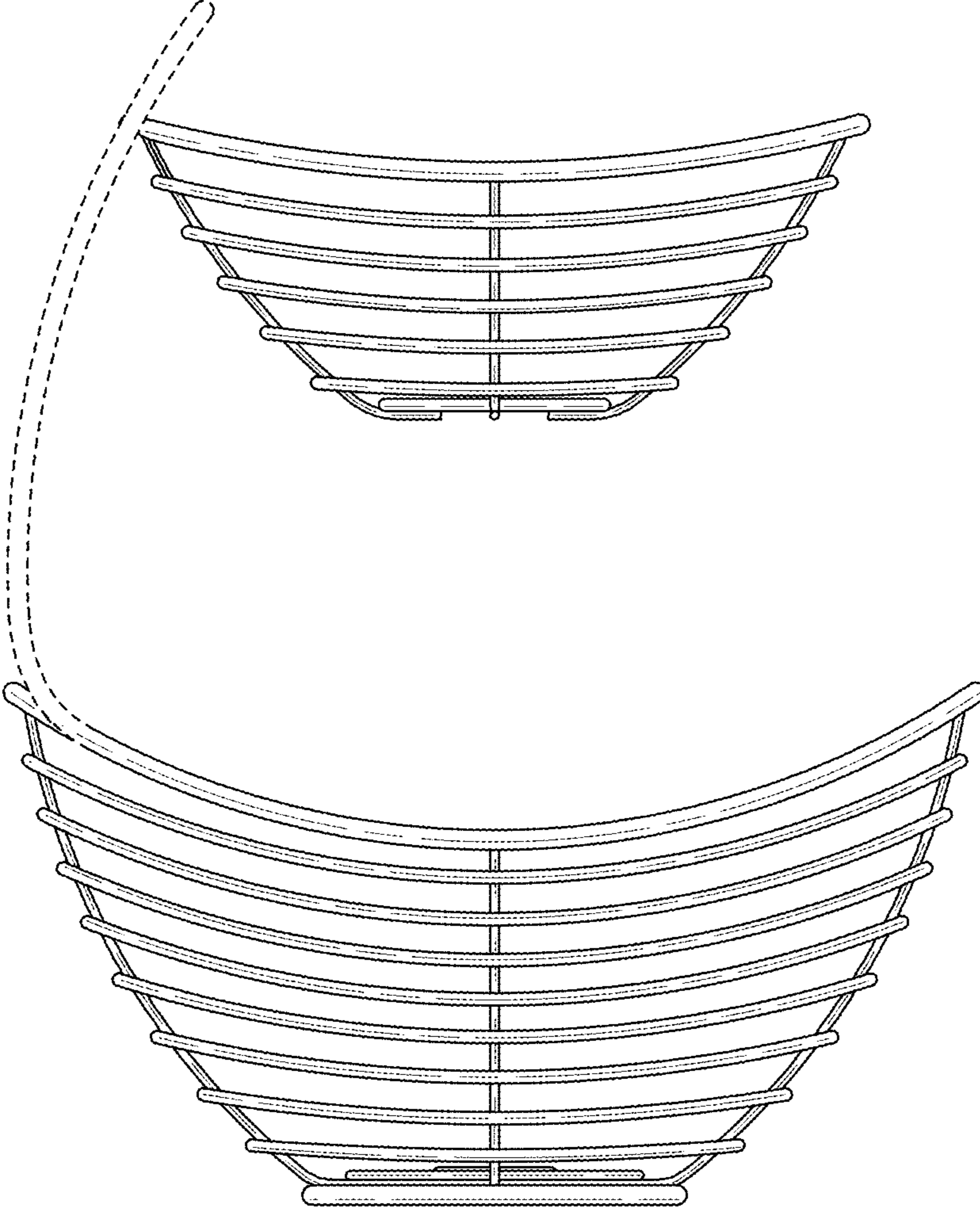


FIG. 5

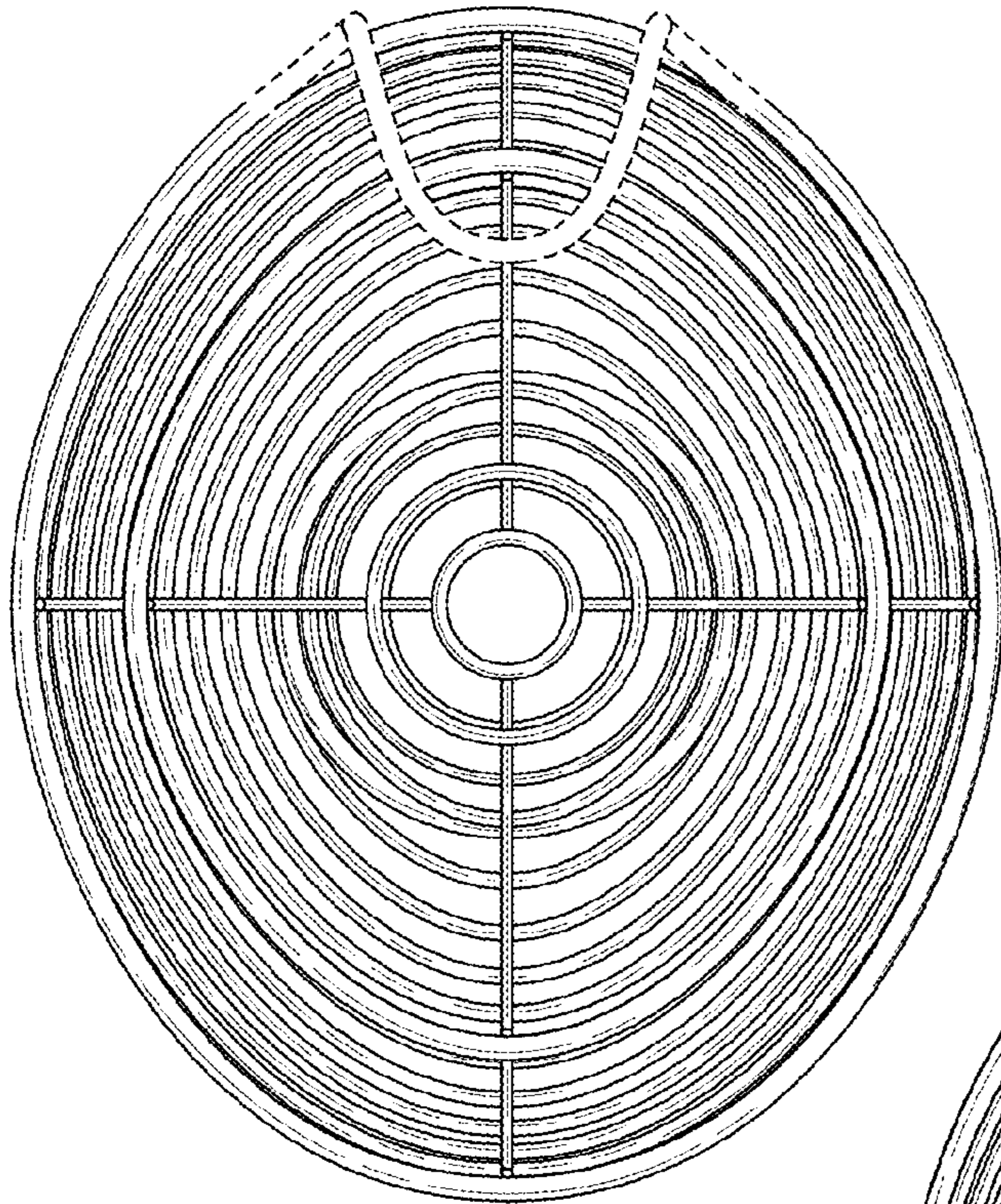


FIG. 6

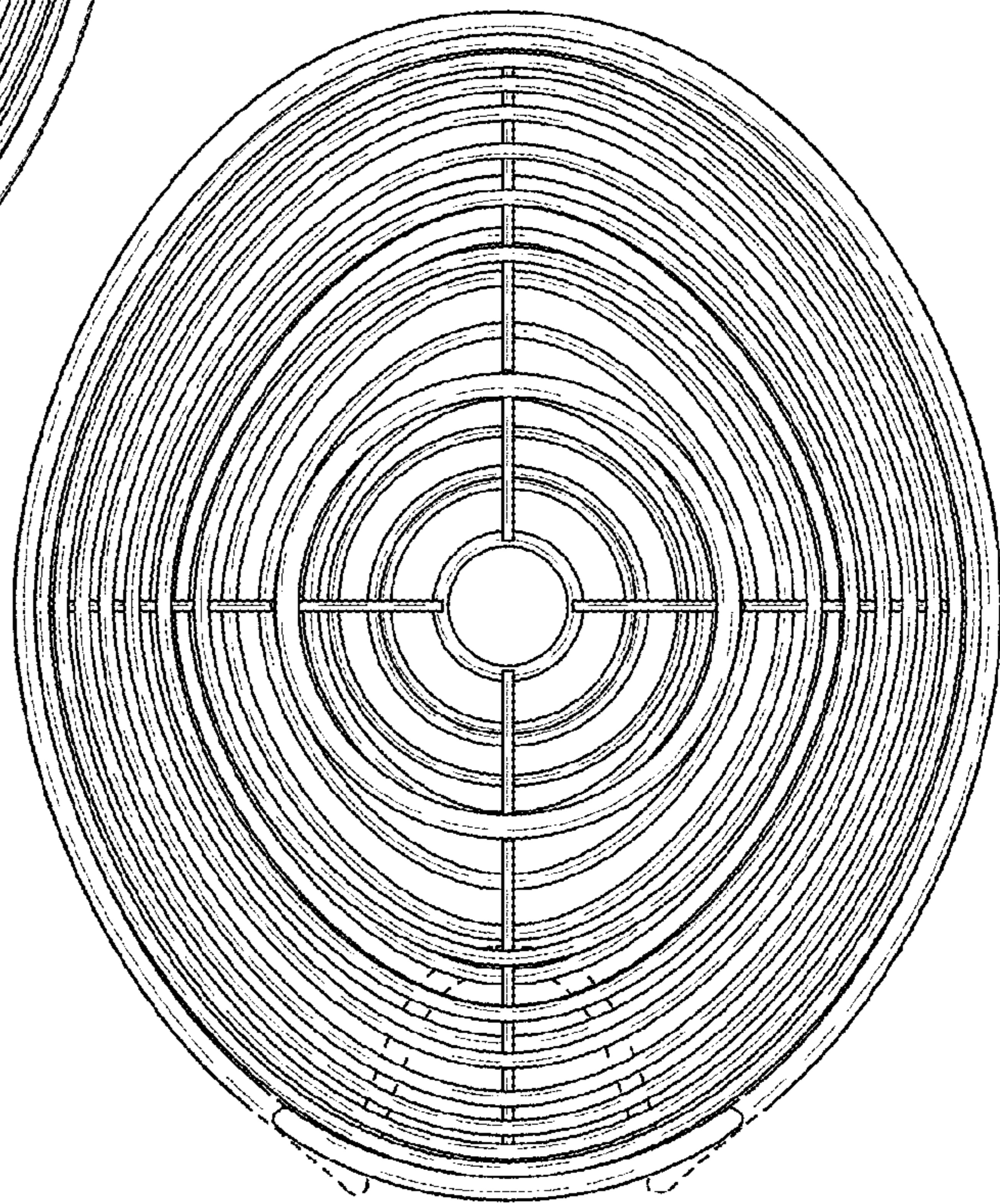


FIG. 7