



US00D891188S

(12) **United States Design Patent** (10) **Patent No.:** **US D891,188 S**
Mitchell et al. (45) **Date of Patent:** **** Jul. 28, 2020**

- (54) **FOOD DISPENSER**
- (71) Applicant: **Gehl Foods, LLC**, Germantown, WI (US)
- (72) Inventors: **Thomas Mitchell**, Chicago, IL (US); **Anders Olof Rostlund**, Chicago, IL (US); **David Mucci**, Chicago, IL (US)
- (73) Assignee: **Gehl Foods, LLC**, Germantown, WI (US)
- (**) Term: **15 Years**
- (21) Appl. No.: **29/653,393**
- (22) Filed: **Jun. 14, 2018**

- 2,244,071 A 6/1941 Landrus
- 2,442,126 A 5/1948 Halstead
- 2,609,122 A 9/1952 Stenerson
- D173,909 S 1/1955 Muller-Munk
- 2,713,988 A 7/1955 Kitterman
- 2,737,880 A 3/1956 Johnson
- 2,775,368 A 12/1956 De Vries

(Continued)

FOREIGN PATENT DOCUMENTS

- CN 1390751 1/2003
- CN 101223100 A 7/2008

(Continued)

OTHER PUBLICATIONS

Alibaba, 3-way Ball Valve, 2016, https://www.alibaba.com/product-detail/10000psi-cng-dispenser-3-way-ball_1797882372.html.

(Continued)

Related U.S. Application Data

- (60) Continuation of application No. 29/607,605, filed on Jun. 14, 2017, now Pat. No. Des. 820,643, which is a division of application No. 29/501,025, filed on Aug. 29, 2014, now Pat. No. Des. 792,164.
- (51) **LOC (12) Cl.** **07-07**
- (52) **U.S. Cl.**
USPC **D7/589**
- (58) **Field of Classification Search**
USPC D7/589, 311
CPC B67D 1/0044; B65D 85/60; B65D 1/00
See application file for complete search history.

Primary Examiner — Cynthia R Underwood
(74) *Attorney, Agent, or Firm* — Foley & Lardner LLP

(57) **CLAIM**

We claim the ornamental design for a food dispenser, as shown and described.

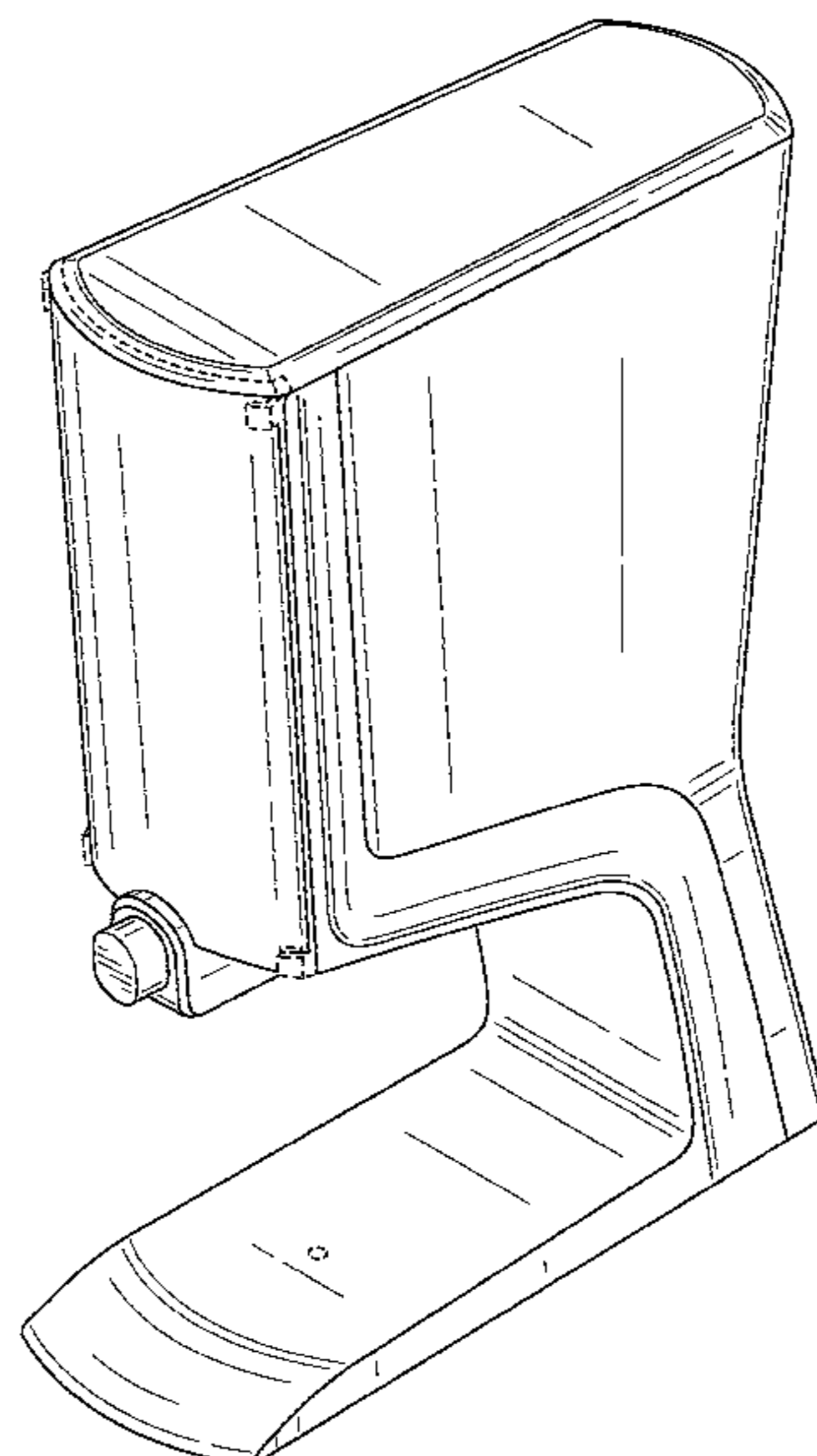
DESCRIPTION

FIG. 1 is a top, front, right perspective view of the claimed design;
FIG. 2 is a bottom, front, right perspective view thereof;
FIG. 3 is a front elevation view thereof;
FIG. 4 is a rear elevation view thereof;
FIG. 5 is a right elevation view thereof;
FIG. 6 is a left elevation view thereof;
FIG. 7 is a top plan view thereof; and,
FIG. 8 is a bottom plan view thereof.
The broken lines represent portions of the structure that forms no part of the claim.

(56) **References Cited**
U.S. PATENT DOCUMENTS

- 1,006,623 A 10/1911 Barrett
- D50,625 S 4/1917 Lund
- 1,556,206 A 4/1923 Dickey
- 1,528,283 A 3/1925 Whitesides
- 1,576,388 A 3/1926 Whitesides
- D83,729 S 3/1931 Hills
- 1,859,126 A 5/1932 Boeuf
- 1,912,304 A 5/1933 Phillips

1 Claim, 6 Drawing Sheets



(56)

References Cited

U.S. PATENT DOCUMENTS

2,845,201 A	4/1958	Henry	D327,432 S	6/1992	Farricielli
D183,532 S	9/1958	McCauley	5,121,658 A	6/1992	Lew
D184,606 S	3/1959	Cramer et al.	5,125,542 A	6/1992	Blanc
D185,626 S *	7/1959	Craig D6/515	D328,007 S	7/1992	Mondry et al.
D185,833 S	8/1959	Bruntjen	D328,008 S	7/1992	Avery
D194,658 S	2/1963	Gilson	D328,220 S *	7/1992	Barnard D7/313
3,089,619 A	5/1963	Kass et al.	5,142,610 A	8/1992	Augustine et al.
D196,874 S *	11/1963	Fites D6/515	5,150,802 A	9/1992	Jeffers
3,114,480 A	12/1963	Sauter	5,158,210 A	10/1992	Du
D199,046 S	9/1964	Felske	D332,200 S	1/1993	Credle, Jr.
3,173,579 A	3/1965	Curie et al.	5,230,443 A	7/1993	Du
3,186,596 A	6/1965	Badgett	D345,085 S	3/1994	Sewell
3,239,104 A	3/1966	Scholle	5,325,995 A	7/1994	Harrison et al.
3,248,011 A	4/1966	Brodsky et al.	5,337,775 A	8/1994	Lane et al.
D204,822 S	5/1966	Barker	5,350,083 A	9/1994	Du
D205,702 S	9/1966	Christine et al.	5,361,943 A	11/1994	Du
3,312,468 A	4/1967	Lynch	5,428,066 A	6/1995	Larner et al.
3,343,724 A	9/1967	Malpas	D359,874 S	7/1995	Smith et al.
D209,127 S	10/1967	Martin	5,429,681 A	7/1995	Mesenbring
3,366,278 A	1/1968	Fobes	5,435,463 A	7/1995	Hodgson
3,369,720 A	2/1968	Libit et al.	5,435,466 A	7/1995	Du
3,387,903 A	6/1968	Karlen	D365,962 S	1/1996	Amundsen et al.
3,445,039 A	5/1969	Brodsky et al.	5,490,613 A	2/1996	Taylor et al.
D215,045 S	8/1969	Benjamin	D372,650 S	8/1996	Bundy
3,549,049 A	12/1970	Weber	D375,431 S	11/1996	Credle et al.
D220,303 S	3/1971	Gran	5,573,047 A	11/1996	Akin
D223,325 S	4/1972	Mox	5,579,945 A	12/1996	Ichikawa et al.
D231,808 S	6/1974	Fossella	5,579,959 A	12/1996	Bennett et al.
3,878,360 A	4/1975	Augustine et al.	5,622,484 A	4/1997	Taylor-McCune et al.
3,881,641 A	5/1975	Pliml et al.	5,624,056 A	4/1997	Martindale
3,924,777 A	12/1975	Peyser	D384,863 S	10/1997	Danemayer
D240,108 S	6/1976	McGrew	D385,715 S	11/1997	Curry
4,018,357 A	4/1977	Ostrem	D390,753 S	2/1998	Danemayer
4,049,157 A	9/1977	Carson	D392,843 S	3/1998	Mulvihill
D246,310 S	11/1977	Syverson et al.	5,752,319 A	5/1998	Su et al.
4,176,767 A	12/1979	Franche, IV	D398,964 S	9/1998	Doughty et al.
D253,987 S	1/1980	Painter	5,803,317 A	9/1998	Wheeler
D254,184 S	2/1980	Martin et al.	5,833,120 A	11/1998	Evans et al.
4,214,675 A	7/1980	Schmit	5,836,482 A	11/1998	Ophardt et al.
4,314,654 A	2/1982	Gaubert	5,845,812 A	12/1998	Morrison
4,322,019 A	3/1982	Smith	D408,667 S	4/1999	Curry
D265,653 S	8/1982	Arzberger et al.	6,003,733 A	12/1999	Wheeler
4,406,247 A	9/1983	Baughman et al.	6,016,935 A	1/2000	Huegerich et al.
4,416,395 A	11/1983	Gaubert	6,036,166 A	3/2000	Olson
4,417,672 A	11/1983	Eppenbach	D425,792 S	5/2000	Haller
D272,976 S	3/1984	Lalumiere	6,056,157 A	5/2000	Gehl et al.
4,440,316 A	4/1984	Christine	6,082,587 A	7/2000	Martindale et al.
4,446,988 A	5/1984	Chronis	6,089,406 A	7/2000	Feldner
D274,779 S	7/1984	Lalumiere	6,138,878 A	10/2000	Savage et al.
D277,633 S	2/1985	McClellan	6,142,340 A	11/2000	Watanabe et al.
4,497,351 A	2/1985	Garcia	6,158,623 A	12/2000	Benavides et al.
4,513,885 A	4/1985	Hogan	6,189,736 B1	2/2001	Phallen et al.
4,515,294 A	5/1985	Udall	6,193,111 B1	2/2001	Adams
D282,617 S	2/1986	Hogan	6,196,420 B1	3/2001	Gutierrez et al.
4,602,725 A	7/1986	Malpas et al.	6,223,944 B1	5/2001	Gehl et al.
4,621,750 A	11/1986	Roethel	6,227,420 B1	5/2001	Jepson
D290,074 S	6/1987	Braun	6,273,297 B1	8/2001	Schalow et al.
4,690,307 A	9/1987	Hogan	D448,633 S	10/2001	Langlois
4,712,714 A	12/1987	Mucciarone	D453,663 S	2/2002	Mori
4,724,981 A	2/1988	Realmuto	6,345,734 B2	2/2002	Schalow et al.
D296,405 S	6/1988	Weaver	6,378,730 B1	4/2002	Reddy et al.
D297,105 S	8/1988	Hollinshead	6,405,897 B1	6/2002	Jepson et al.
4,776,488 A	10/1988	Gurzan	6,419,121 B1	7/2002	Gutierrez et al.
4,795,062 A	1/1989	Bedwell et al.	6,460,735 B1	10/2002	Greenwald et al.
4,846,236 A	7/1989	Deruntz	D467,477 S	12/2002	Berens et al.
4,856,681 A	8/1989	Murray	6,488,179 B1	12/2002	Vujicic et al.
4,913,713 A	4/1990	Bender et al.	6,668,643 B1	12/2003	Pettinaroli et al.
4,925,034 A	5/1990	Robichaud et al.	D486,698 S	2/2004	Hutchison
D309,395 S	7/1990	Thompson et al.	6,691,894 B2	2/2004	Chrisman et al.
4,946,040 A	8/1990	Ipenburg	6,698,624 B2	3/2004	Ufheil et al.
4,961,508 A	10/1990	Weimer et al.	6,708,741 B1	3/2004	Berry et al.
4,997,108 A	3/1991	Hata	6,722,530 B1	4/2004	King et al.
D321,453 S	11/1991	Ophardt	6,726,061 B2	4/2004	Good
5,096,092 A	3/1992	Devine	6,814,262 B1	11/2004	Adams et al.
5,102,015 A	4/1992	Barnard et al.	6,860,407 B2	3/2005	Gosselin
			6,871,015 B2	3/2005	Gutierrez et al.
			D506,369 S	6/2005	Norton
			D509,137 S	9/2005	Hierzer et al.
			6,938,801 B1	9/2005	Reddy et al.

(56)

References Cited

U.S. PATENT DOCUMENTS

D515,919 S 2/2006 Hierzer et al.
 7,007,824 B2 3/2006 Danby et al.
 7,025,230 B1 4/2006 Salmela
 D531,457 S * 11/2006 Gold D7/589
 7,147,134 B2 12/2006 Gutierrez et al.
 7,262,838 B2 8/2007 Fritz
 7,278,553 B2 10/2007 Py et al.
 7,322,491 B2 1/2008 Py et al.
 7,357,277 B2 4/2008 Verespej et al.
 7,455,200 B2 11/2008 Gehl et al.
 D583,022 S 12/2008 Soulier
 D585,965 S 2/2009 Kohler et al.
 D589,123 S 3/2009 Soulier
 7,651,015 B2 1/2010 Girard et al.
 D613,558 S 4/2010 Gold et al.
 D616,707 S * 6/2010 Gold D7/589
 7,731,060 B2 6/2010 Jones
 7,770,408 B2 8/2010 Kim et al.
 7,789,269 B2 9/2010 Pritchard
 D627,223 S 11/2010 Storti et al.
 D628,035 S 11/2010 Paige
 7,828,020 B2 11/2010 Girard et al.
 7,850,051 B2 12/2010 Py et al.
 D632,144 S 2/2011 Weisenbach
 7,971,604 B2 7/2011 McDonald et al.
 7,980,424 B2 7/2011 Johnson
 8,091,735 B2 1/2012 Girard et al.
 8,146,780 B2 4/2012 Compton et al.
 D659,008 S 5/2012 Gately et al.
 8,205,771 B2 6/2012 Compton
 8,206,034 B2 6/2012 Keen et al.
 D671,620 S 11/2012 March et al.
 8,336,740 B1 12/2012 Daansen
 8,353,428 B2 1/2013 Pritchard
 8,371,476 B2 2/2013 Weissbrod
 D684,013 S * 6/2013 Vance D7/589
 8,474,495 B2 7/2013 Singleton et al.
 8,528,807 B2 9/2013 Kaneko
 D696,943 S 1/2014 Kim
 8,881,948 B1 * 11/2014 Lassota B67D 1/0044
 222/129.1
 8,887,960 B2 11/2014 Hardman
 D718,621 S 12/2014 Mitchell et al.
 D719,403 S 12/2014 Halioua
 D720,188 S 12/2014 Burke et al.
 D731,273 S 6/2015 McPeak Ford et al.
 D731,310 S 6/2015 Demey et al.
 D731,839 S 6/2015 Tomasson et al.
 D732,330 S 6/2015 Cha et al.
 9,045,260 B2 6/2015 Norris et al.
 D754,536 S 4/2016 Arriaga
 D755,045 S 5/2016 Kuo
 D758,810 S 6/2016 Peterson et al.
 9,370,273 B2 6/2016 Li et al.
 D763,077 S 8/2016 Mitchell et al.
 D764,912 S 8/2016 Houyoux
 9,585,513 B2 3/2017 Hanes et al.
 D782,907 S 4/2017 Sowieja et al.
 D792,164 S 7/2017 Mitchell et al.
 9,717,354 B2 8/2017 Gehl et al.
 D798,106 S 9/2017 Sowieja et al.
 9,878,892 B2 * 1/2018 Jersey B67D 1/1272
 D872,513 S * 1/2020 Kaplan D7/306
 2002/0092879 A1 7/2002 Chrisman et al.
 2002/0179605 A1 12/2002 Miani et al.
 2003/0015556 A1 1/2003 Wild et al.
 2003/0066978 A1 4/2003 Enerson
 2003/0116584 A1 6/2003 Gutierrez et al.
 2004/0222233 A1 11/2004 Gosselin
 2004/0238563 A1 12/2004 Lin
 2005/0121464 A1 6/2005 Miller et al.
 2005/0167443 A1 8/2005 Sanfilippo et al.
 2005/0167444 A1 8/2005 Sanfilippo et al.
 2005/0252937 A1 11/2005 Gehl et al.
 2006/0011640 A1 1/2006 Shaygan

2006/0071020 A1 4/2006 Wiesner et al.
 2006/0138167 A1 6/2006 McMahon et al.
 2007/0029343 A1 2/2007 Sanfilippo et al.
 2008/0029540 A1 2/2008 Johnson
 2008/0078781 A1 4/2008 Py et al.
 2008/0083788 A1 4/2008 Py et al.
 2008/0105701 A1 5/2008 Niss et al.
 2008/0116225 A1 5/2008 Py et al.
 2008/0116226 A1 5/2008 Py et al.
 2008/0169309 A1 7/2008 Kroeger
 2008/0314923 A1 12/2008 Faller et al.
 2009/0020559 A1 1/2009 Sanfilippo et al.
 2009/0283541 A1 11/2009 Compton et al.
 2010/0038380 A1 2/2010 Compton
 2010/0147884 A1 6/2010 Compton et al.
 2010/0176155 A1 7/2010 Baron et al.
 2010/0264146 A1 10/2010 Casale et al.
 2010/0288767 A1 11/2010 Seelhofer
 2011/0017774 A1 1/2011 Pritchard
 2011/0024463 A1 2/2011 Py et al.
 2011/0042410 A1 2/2011 Paulen
 2011/0108572 A1 5/2011 Murray
 2012/0046785 A1 2/2012 Deo et al.
 2012/0152976 A1 7/2012 Yoshida et al.
 2012/0211519 A1 8/2012 Hauner et al.
 2014/0069963 A1 3/2014 Stein
 2015/0102057 A1 4/2015 Gehl et al.
 2016/0129464 A1 5/2016 Frommer
 2017/0121167 A1 5/2017 Johnson et al.
 2017/0251846 A1 9/2017 Sowieja et al.
 2017/0251847 A1 9/2017 Gehl et al.

FOREIGN PATENT DOCUMENTS

CN 101516762 A 8/2009
 EM 000574843-0003 8/2006
 EP 0 150 144 7/1985
 EP 0 538 91 2/1986
 EP 0 409 759 A1 1/1991
 EP 0 962 421 12/1999
 EP 1 264 776 A1 12/2002
 GB 2 068 910 A 8/1981
 GB 2 154 991 9/1985
 JP 52-001760 2/1955
 JP H09-104474 4/1997
 JP 2002-211596 A 7/2002
 JP 2009-249042 A 10/2009
 KR 10-2012-0099678 9/2012
 KR 1020120099678 9/2012
 TW D122024 3/2008
 TW D122218 4/2008
 TW D165705 2/2015
 WO WO-2013/029163 3/2013

OTHER PUBLICATIONS

Balaji Tube Corporation, Valves, 2016, http://www.balajitube.com/?page_id=55.
 Communication on EP Application No. 14851552.1, dated Mar. 13, 2019, 2 pages.
 Communication on EP Application No. 14851552.1, dated Sep. 14, 2018, 2 pages.
 Examination Report on AU Application No. 2014332235, dated Apr. 3, 2018, 5 pages.
 Examiner's Report on CA Application No. 161166, dated May 14, 2015, 23 pages.
 Examiner's Report on CA Application No. 161166, dated Nov. 3, 2015, 12 pages.
 Examiner's Report on CA Application No. 161167, dated May 14, 2015, 25 pages.
 Examiner's Report on CA Application No. 161168, dated May 14, 2015, 32 pages.
 Extended European Search Report on EP Application No. 15835591.7, dated Jul. 19, 2018, 4 pages.
 International Preliminary Report on Patentability for International Application No. PCT/US2015/047491, dated Feb. 28, 2017, 10 pages.

(56)

References Cited

OTHER PUBLICATIONS

Office Action on CN Application No. 201480067462.3, dated Mar. 1, 2019, 8 pages with translation.
Office Action on CN Application No. 201480067462.3, dated May 30, 2018, 21 pages with translation.
Office Action on CN Application No. 201580054261.4, dated Aug. 2, 2018, 7 pages, with translation.
Office Action on CN Application No. 201580054261.4, dated Feb. 24, 2018, 5 pages with translation.
Office Action on IN Application No. 280876, dated Jun. 20, 2016, 2 pages.
Office Action on JP Application No. 2016-547839, dated Jan. 22, 2018 25 pages with translation.
Office Action on JP Application No. 2016-547839, dated Nov. 5, 2018, 16 pages with translation.
Office Action on JP Application No. 2017-510573 dated Sep. 6, 2019 (16 pages).
Office Action on TW Application No. 105300945, dated Oct. 25, 2016, 4 pages with translation.
Partial European Search Report on EP Application No. 15835591.7, dated Apr. 11, 2018, 4 pages.
Steeltubedirect.co.uk: ERW Tunnel Section Steel Tube and Pipe, 1 page, Jan. 7, 2016, http://www.steeltubedirect.co.uk/product_selector.aspx?category=100002&shape=155.

Supplementary European Search Report on EP 14851552.1, dated Jun. 23 2017, 4 pages.
DS Smith Plastics, <http://www.dssmith.com/plastics/offering/flexible-packaging--dispensing-solutions/rapak/rapak-bags/>, date accessed: Sep. 30, 2014, 3 pages.
International Preliminary Report on Patentability for Application No. PCT/US2014/059119, dated Apr. 21, 2016, 10 pages.
International Search Report and Written Opinion for International Application No. PCT/US2014/059119, dated Feb. 25, 2015, 12 pages.
International Search Report and Written Opinion for International Application No. PCT/US2015/047491, dated Oct. 29, 2015, 14 pages.
Liqui-Box, "Fitments", <http://www.liquibox.com/fitments>, date accessed: Sep. 26, 2014, 2 pages.
Scholle Packaging, <http://www.scholle.com/products>, date accessed: Sep. 30, 2014, 3 pages.
Communication pursuant to Rule 164(1) from the European Patent Office regarding European Application No. 15835591.7 dated Apr. 11, 2018, 16 pps.
Dispenser Value with Chili Sauce Bag in Box by Gehls, dated Jan. 6, 2014, found online Apr. 28, 2018, <https://www.roundeyesupply.com/Gehls-Dispenser-Value-With-Chili-Sauce-Bag-In-Box-p/de439156.htm>.

* cited by examiner

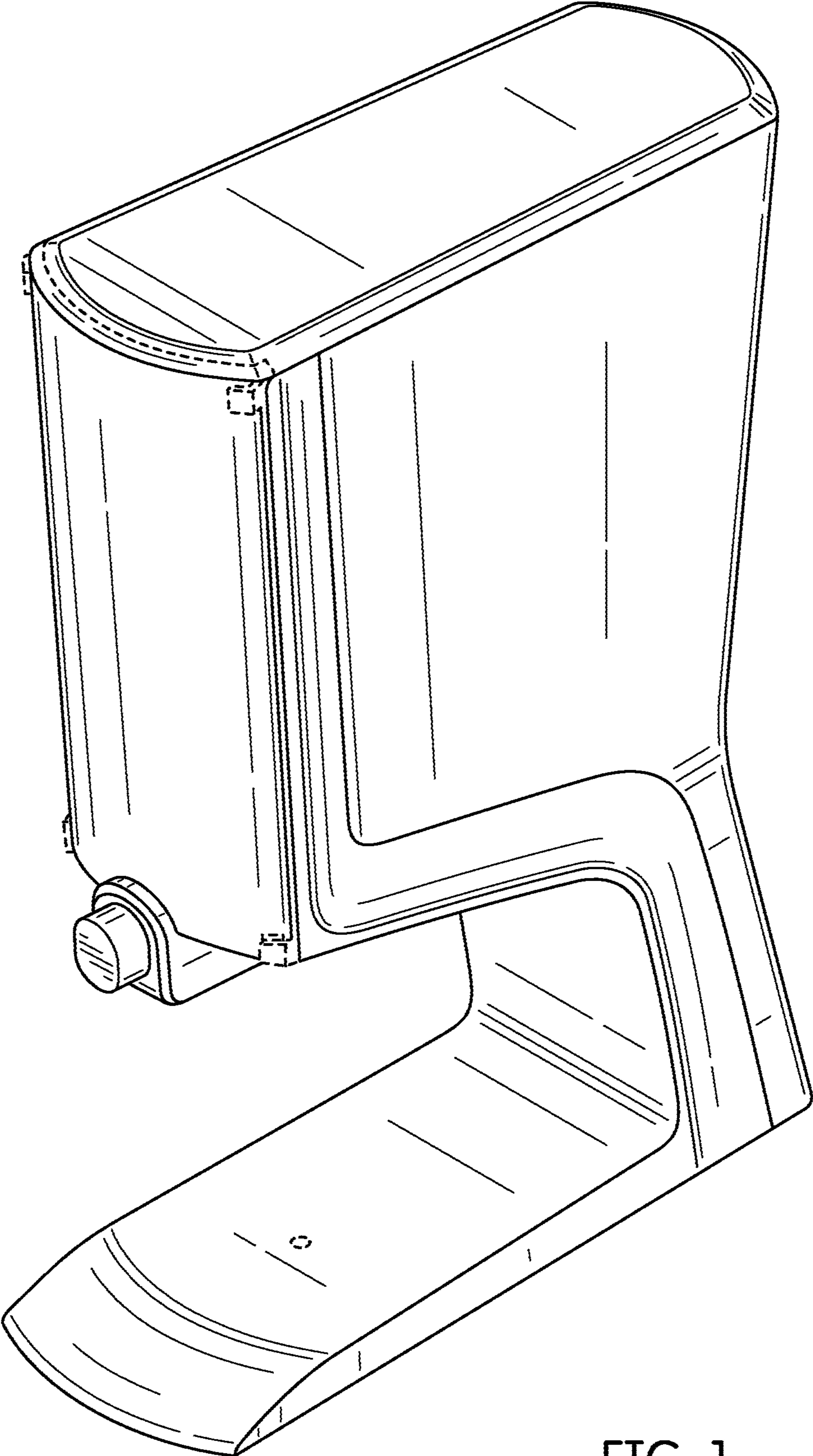


FIG. 1

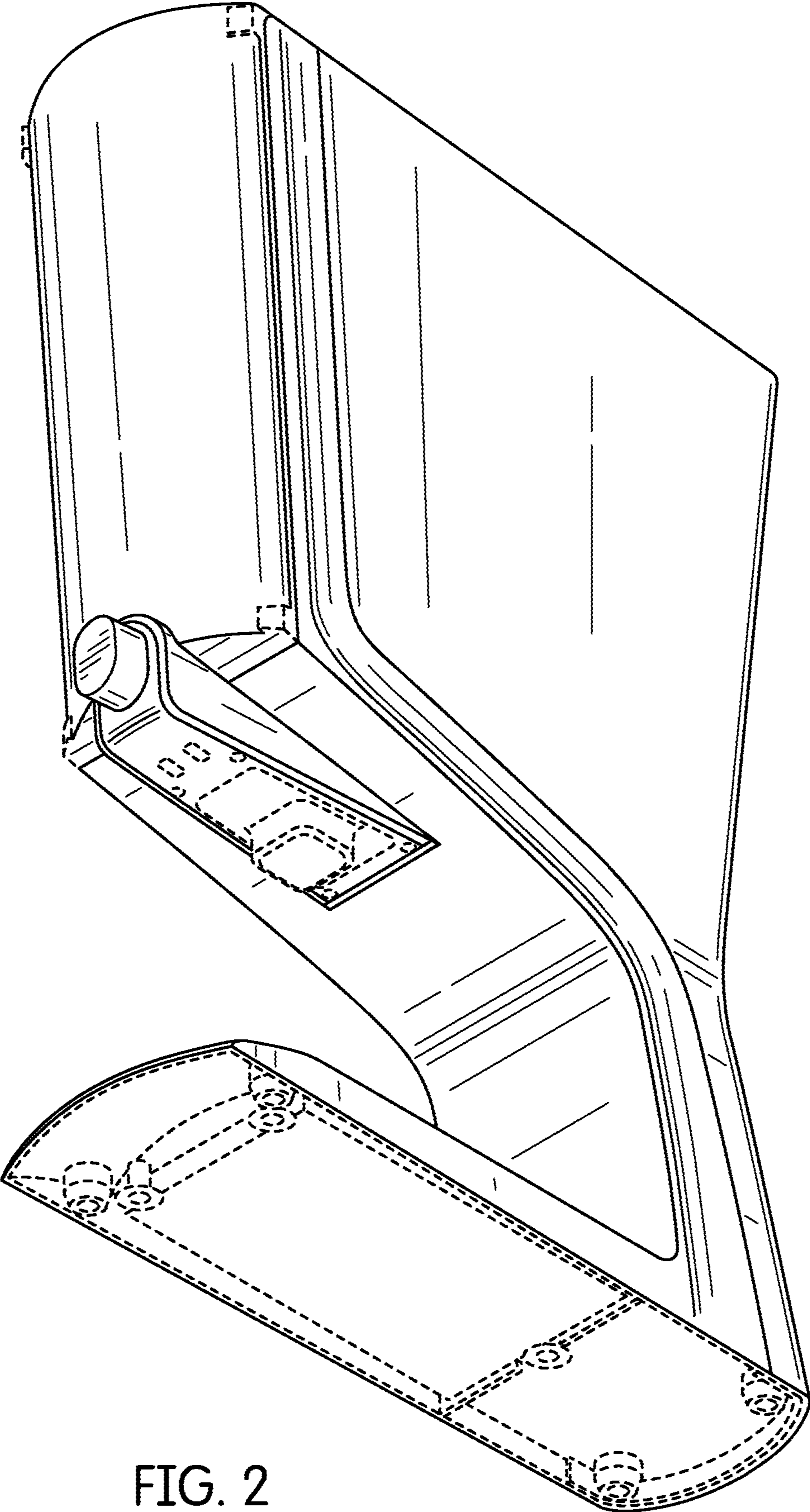


FIG. 2

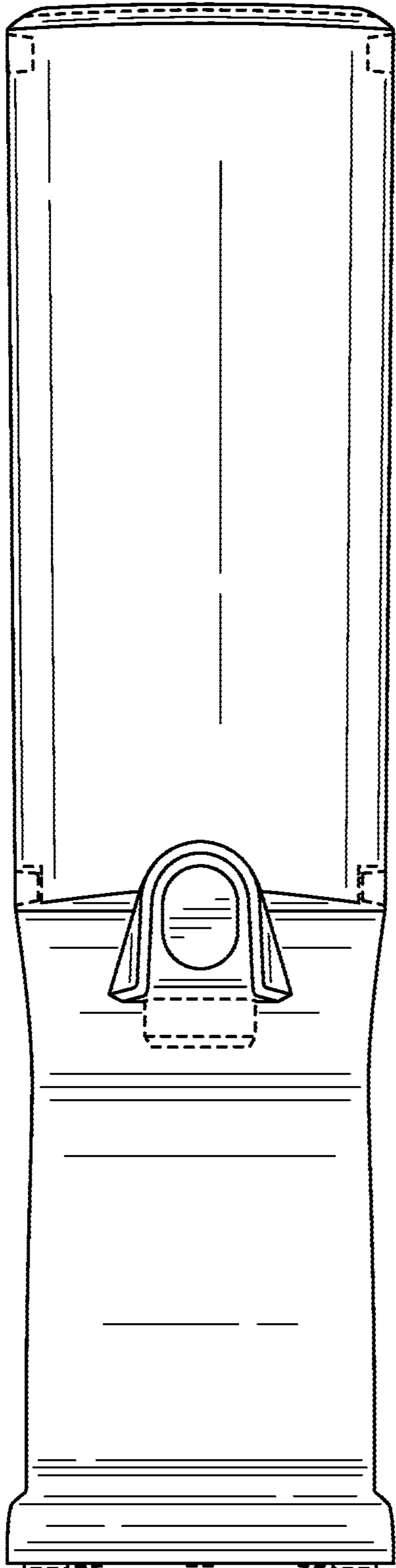


FIG. 3

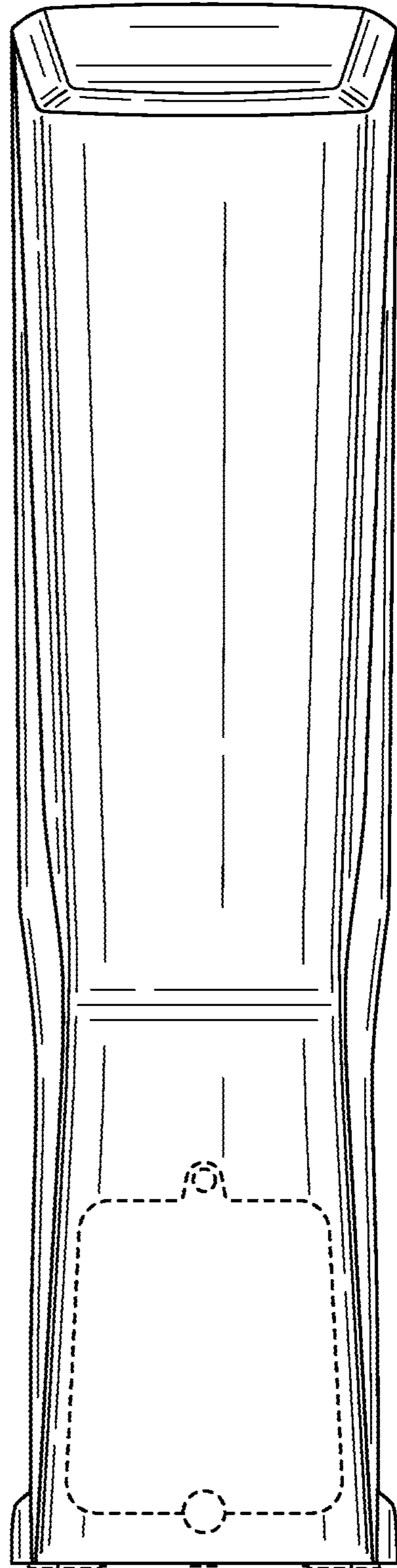


FIG. 4

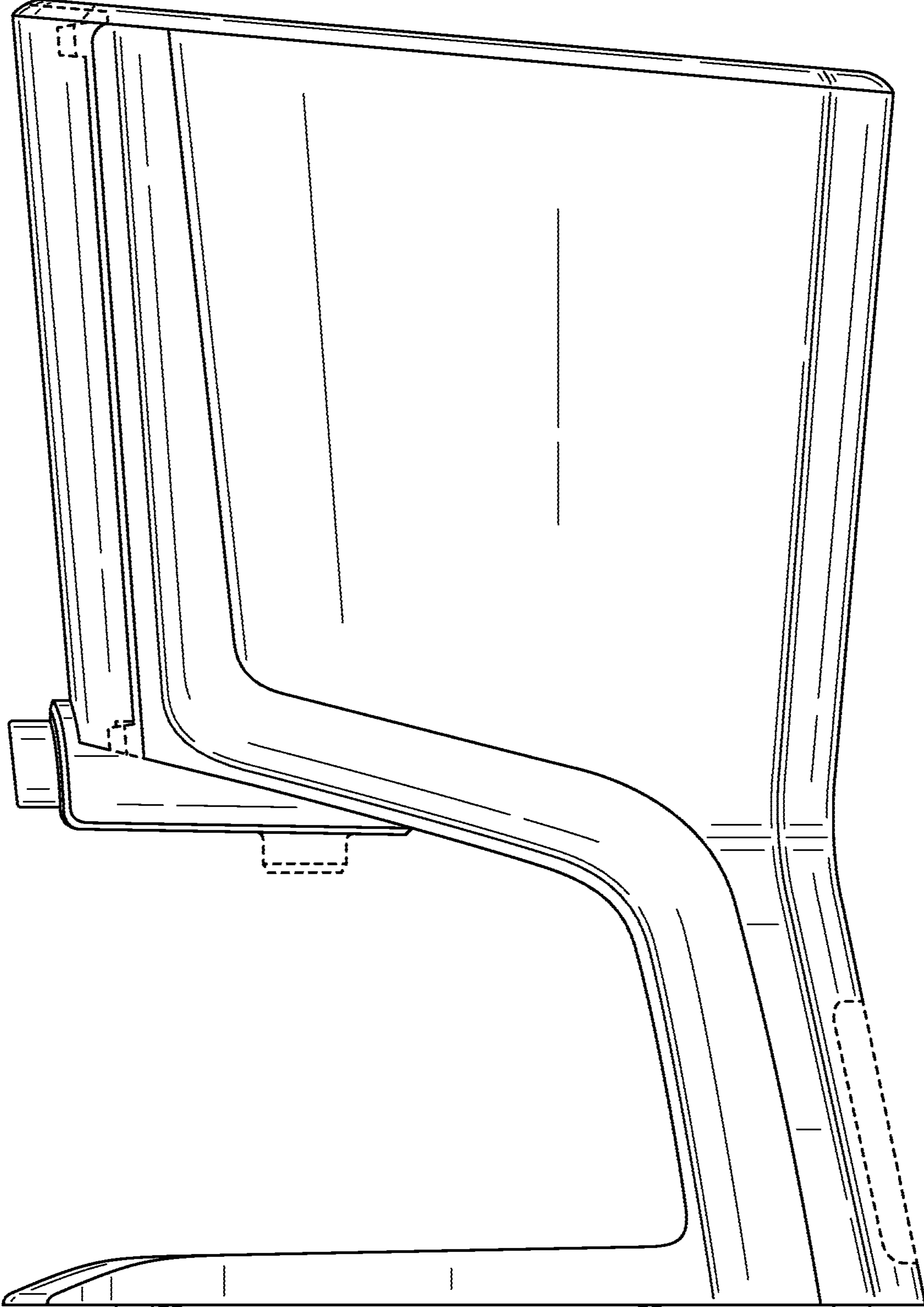


FIG. 5

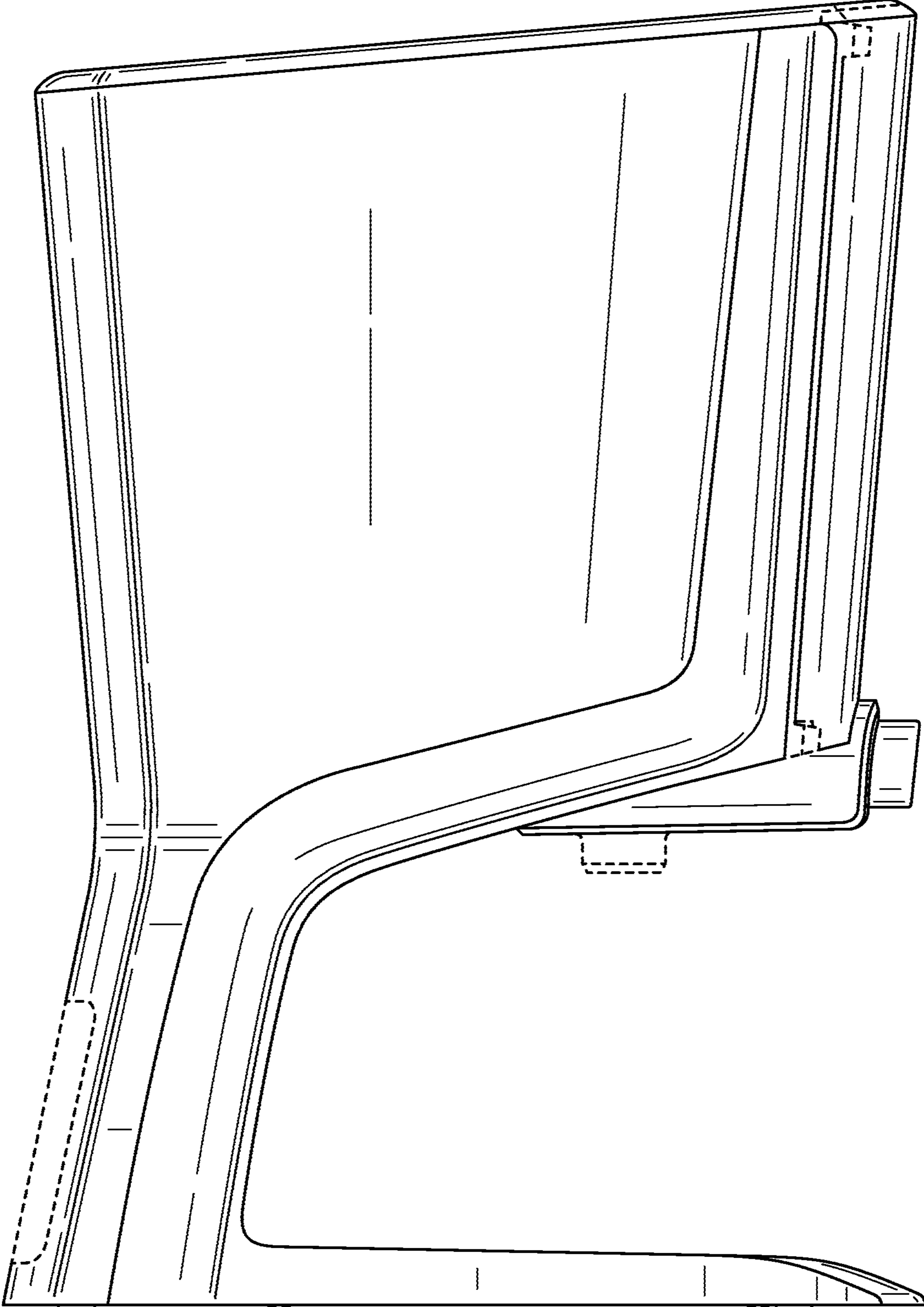


FIG. 6

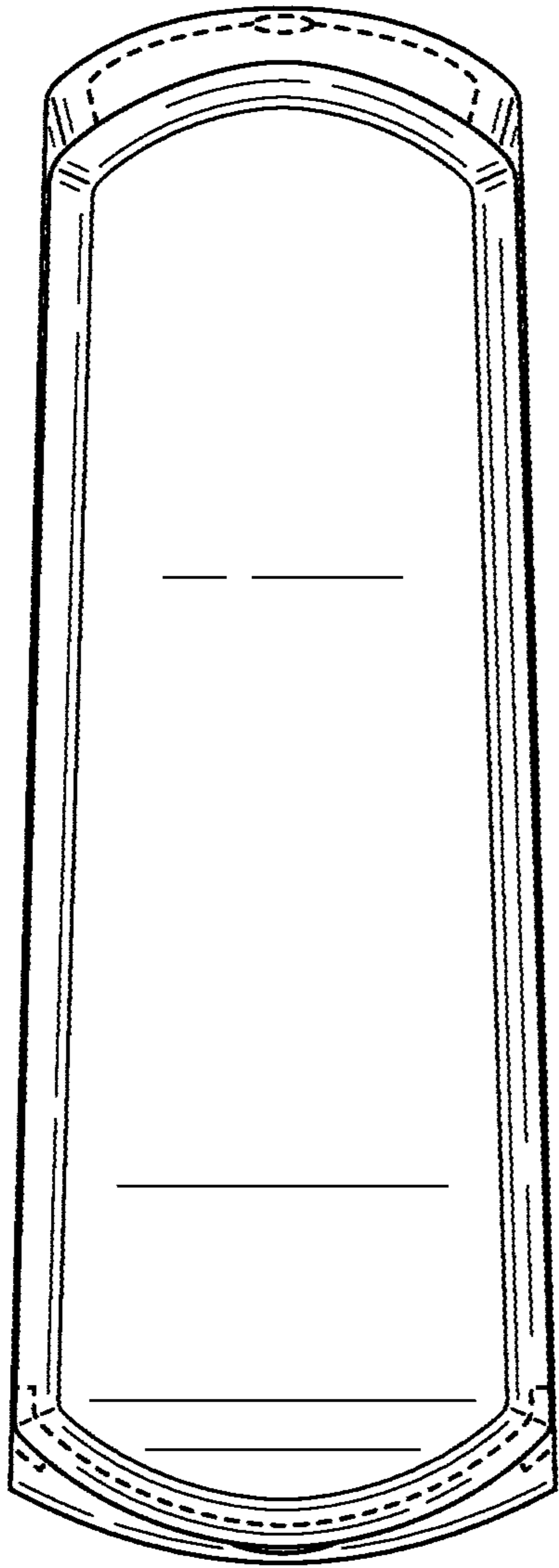


FIG. 7

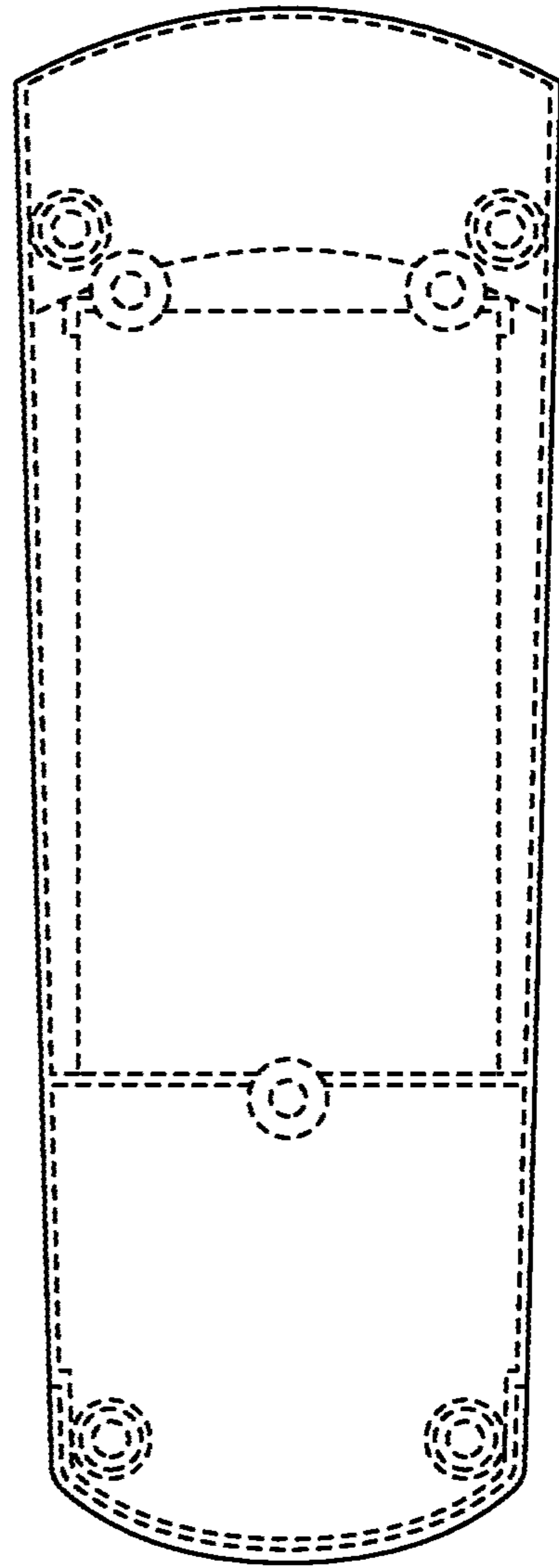


FIG. 8