



US00D891186S

(12) **United States Design Patent** (10) **Patent No.:** **US D891,186 S**  
**Ballard et al.** (45) **Date of Patent:** **\*\* Jul. 28, 2020**

- (54) **NESTING CANNING JAR**
- (71) Applicant: **Hearthmark, LLC**, Boca Raton, FL (US)
- (72) Inventors: **Jacob Henry Ballard**, Kalamazoo, MI (US); **Mark Alan Zavada**, Kalamazoo, MI (US); **Stephen James Galucki**, Huntersville, NC (US); **William Frank Croft**, Huntersville, NC (US); **Stephen Craig Pennington**, Kalamazoo, MI (US)
- (73) Assignee: **Rubbermaid, Inc.**, Atlanta, GA (US)
- (\*\*) Term: **15 Years**

D474,110 S *	5/2003	Sweeney .....	D9/425
6,588,654 B2 *	7/2003	Nakashima .....	B65D 3/06 229/402
D478,478 S *	8/2003	Soohoo .....	D11/152
D482,240 S *	11/2003	Soohoo .....	D7/584
D503,074 S	3/2005	Norris et al.	
D514,886 S	2/2006	Kingsley	
D526,847 S	8/2006	Freeman	
D577,288 S *	9/2008	Wilson .....	D9/428
D584,925 S *	1/2009	Buchman .....	D7/602
7,673,767 B2	3/2010	Vovan	
D631,699 S	2/2011	Moreau	
D648,181 S *	11/2011	Kraemer .....	D7/523
D660,653 S *	5/2012	Smyers .....	D7/615
8,245,847 B2	8/2012	Davis	
D680,377 S *	4/2013	Romley .....	D7/523
D682,617 S *	5/2013	Miksovsky .....	D7/507

(Continued)

- (21) Appl. No.: **29/653,089**
- (22) Filed: **Jun. 12, 2018**
- (51) **LOC (12) Cl.** ..... **07-01**
- (52) **U.S. Cl.**  
USPC ..... **D7/532; D7/615**
- (58) **Field of Classification Search**  
USPC ..... D7/615, 532, 630; D9/744  
CPC ..... B65D 3/06; B65D 1/46; B65D 21/086;  
B65D 25/34; B65D 3/10; B65D 15/14;  
A47J 41/0022  
See application file for complete search history.

**FOREIGN PATENT DOCUMENTS**

CA	2908713	10/2014
CA	167218	10/2016
WO	2005037678	4/2005

*Primary Examiner* — Cynthia R Underwood

(57) **CLAIM**

The ornamental design for a nesting canning jar, as shown and described.

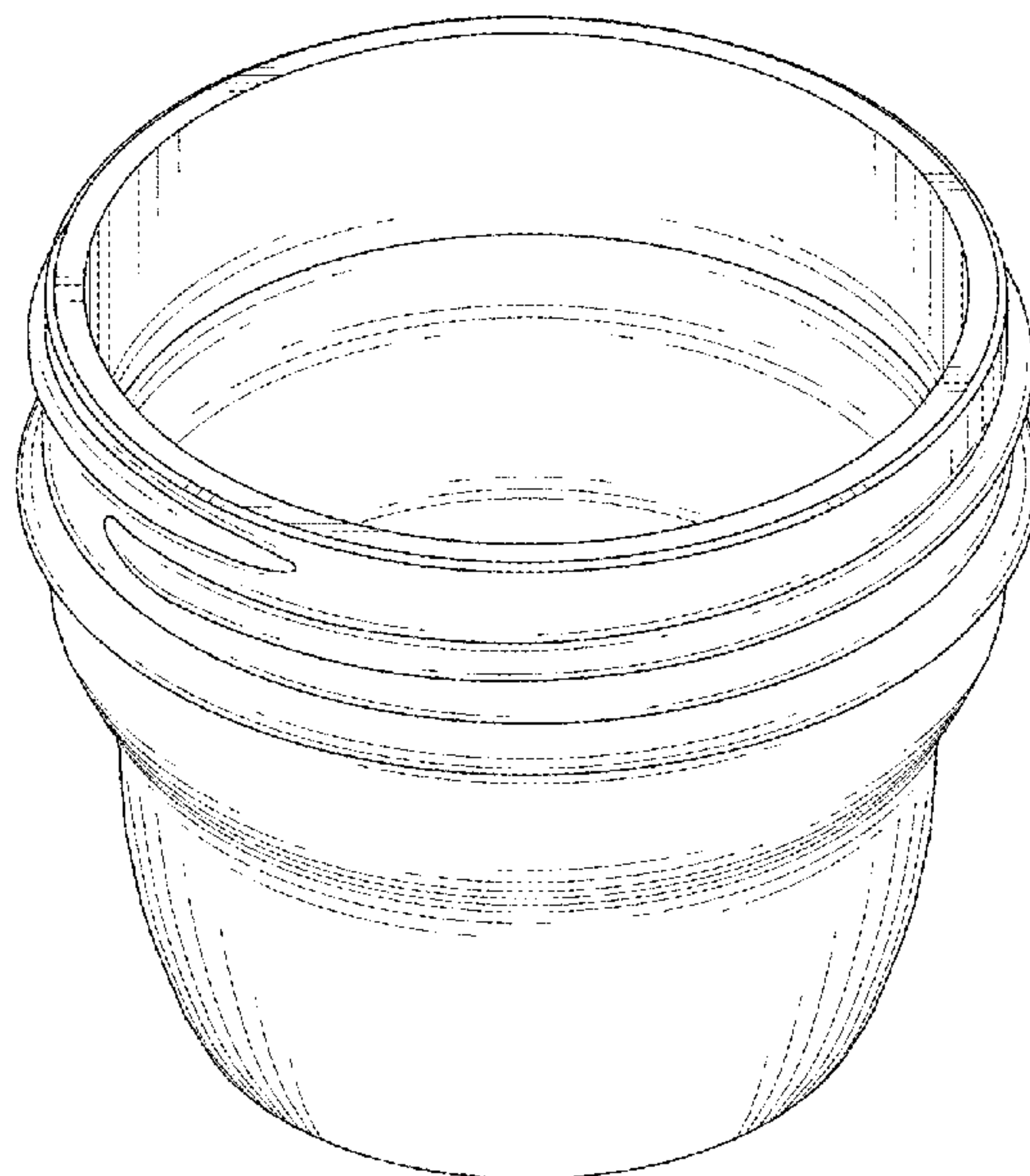
**DESCRIPTION**

FIG. 1 is a front perspective view of a nesting canning jar; FIG. 2 is a front elevation view thereof; FIG. 3 is a rear elevation view thereof; FIG. 4 is left side elevation view thereof; FIG. 5 is a right side elevation view thereof; FIG. 6 is a top plan view; and, FIG. 7 is a bottom plan view thereof.  
The broken lines shown in the figures depict portions of the nesting canning jar that form no part of the claimed design.

**1 Claim, 4 Drawing Sheets**

(56) **References Cited**  
U.S. PATENT DOCUMENTS

3,734,393 A *	5/1973	Stump .....	B65D 3/10 229/5.5
D368,234 S *	3/1996	Dickinson .....	D11/152
5,862,932 A *	1/1999	Walsh .....	B65D 21/086 220/484
6,065,603 A	5/2000	Filice et al.	
D429,150 S *	8/2000	Lindsay .....	D7/602
6,269,949 B1	8/2001	Gottlieb	



(56)

**References Cited**

U.S. PATENT DOCUMENTS

9,119,507	B2 *	9/2015	Abrams .....	A47J 41/0022
D742,695	S	11/2015	Pendleton et al.	
D743,206	S	11/2015	Pendleton et al.	
D743,207	S	11/2015	Pendleton et al.	
D743,209	S	11/2015	Maas et al.	
D744,286	S	12/2015	Morris, II et al.	
9,321,555	B2	4/2016	Roodnat et al.	
9,363,952	B2	6/2016	Zak et al.	
D769,069	S	10/2016	Sanbar	
9,511,896	B2 *	12/2016	Bougoulas .....	B65D 15/14
D797,510	S	9/2017	Ke	
D813,606	S	3/2018	O’Nan et al.	
D824,214	S *	7/2018	Albers .....	D7/523
10,189,604	B2 *	1/2019	McMunn .....	B65D 25/34
D842,038	S *	3/2019	Seiders .....	D7/510
D873,616	S *	1/2020	Kaiser .....	D7/523
2008/0000795	A1	1/2008	Deakin et al.	
2009/0050595	A1	2/2009	Lackey	
2014/0312067	A1	10/2014	Loomis	
2015/0041478	A1 *	2/2015	Abrams .....	A47J 41/0022
				220/592.17
2017/0251852	A1 *	9/2017	O’Nan .....	B65D 1/46

\* cited by examiner

FIG. 1

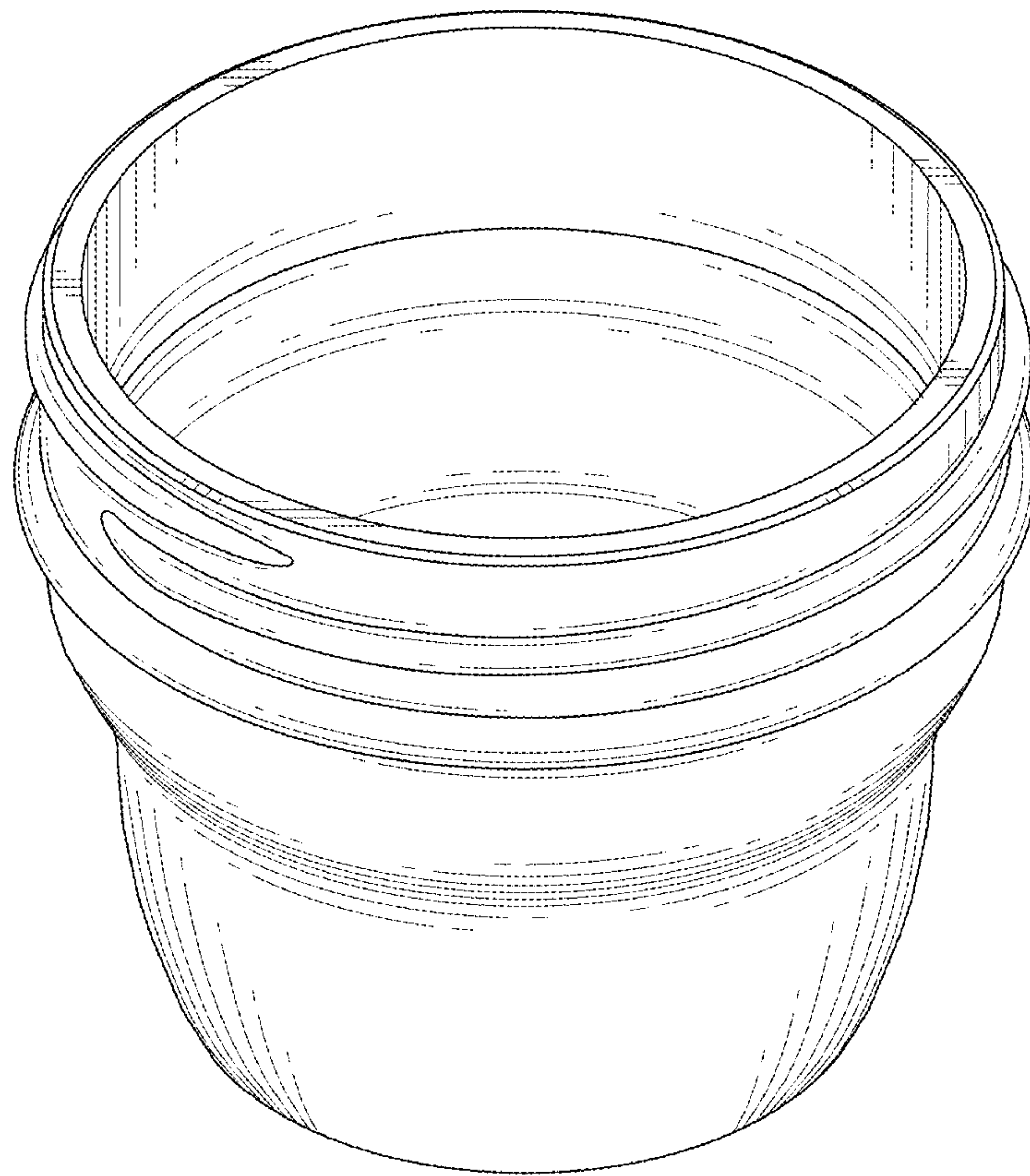


FIG. 2

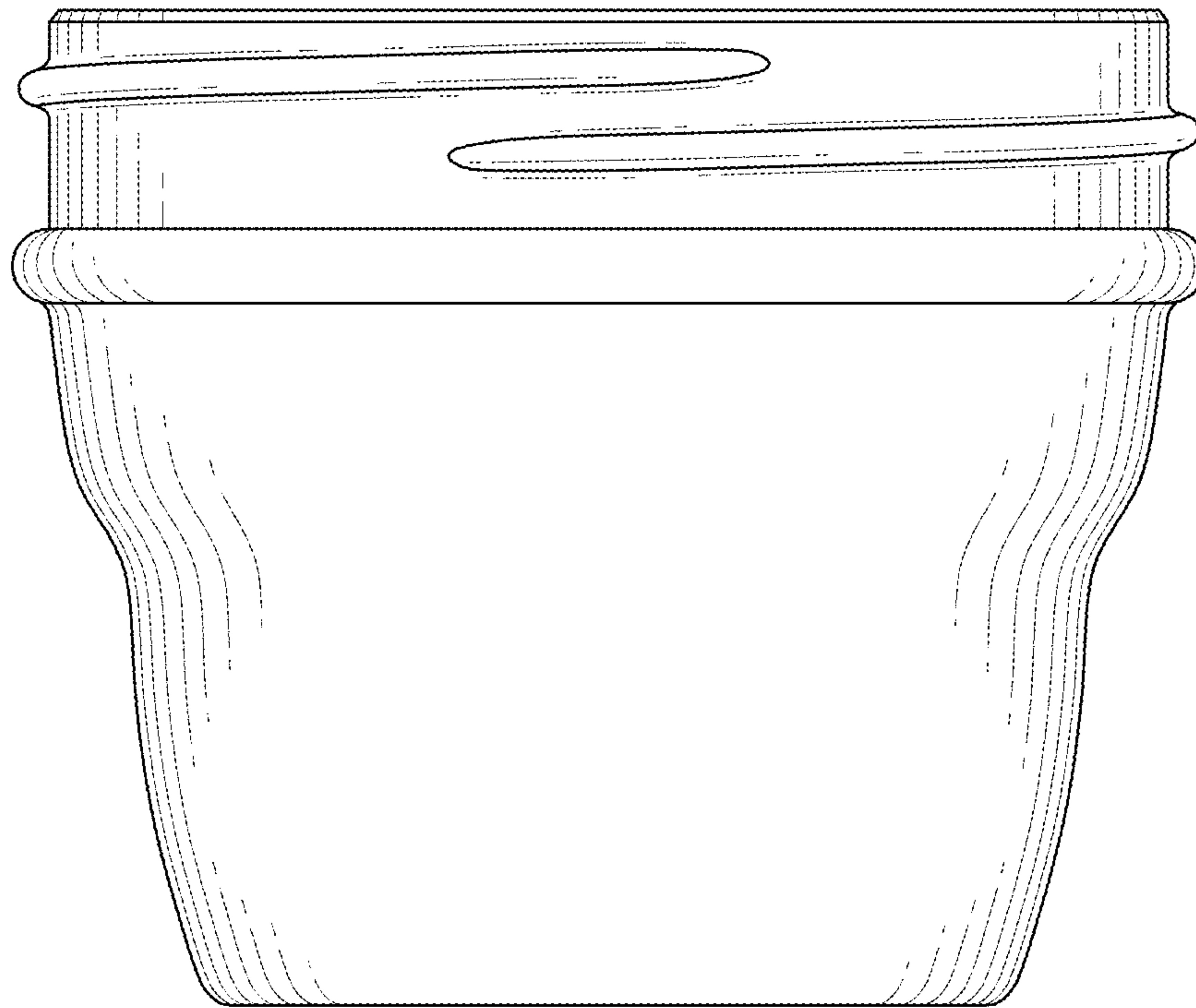


FIG. 3

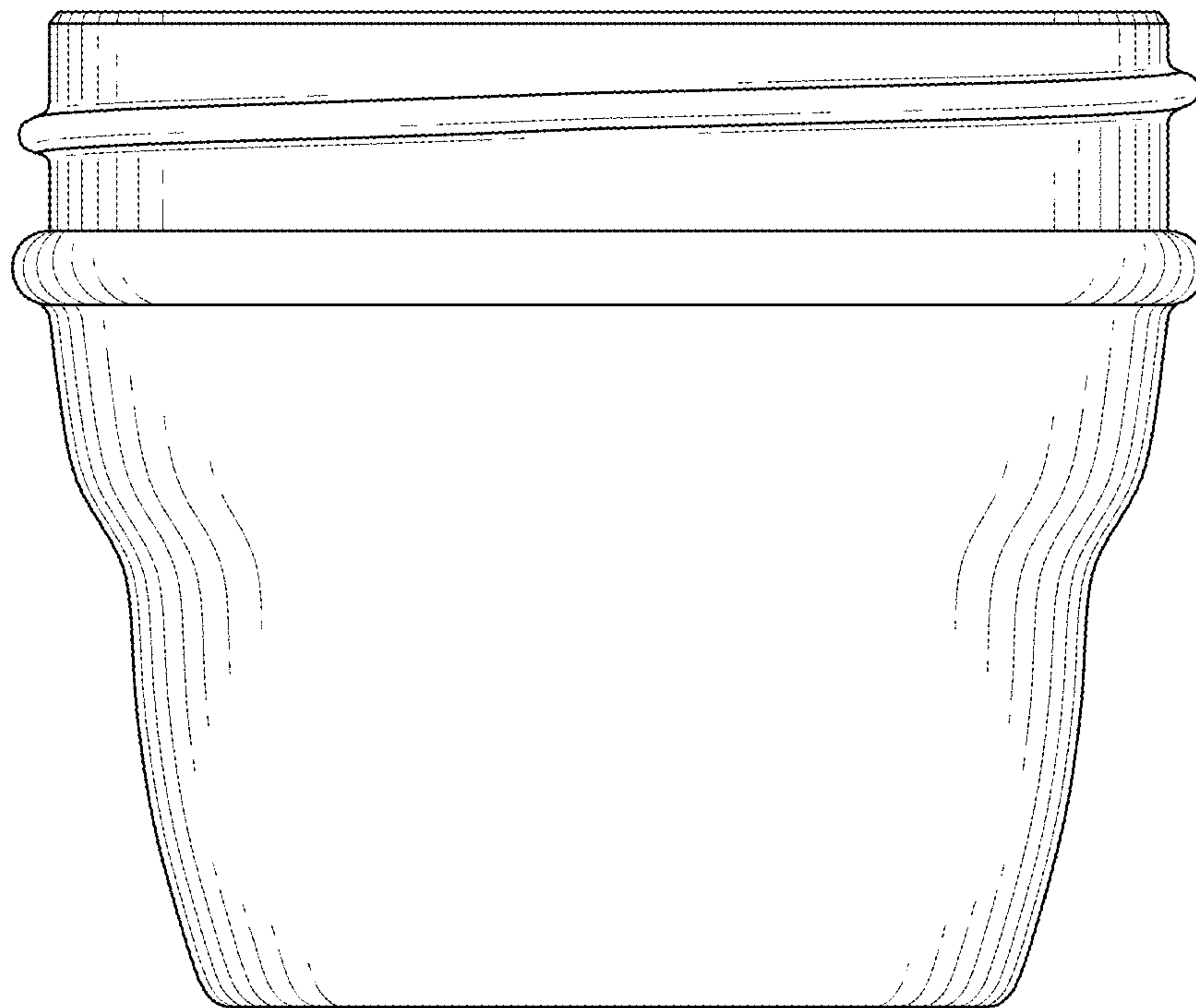




FIG. 4

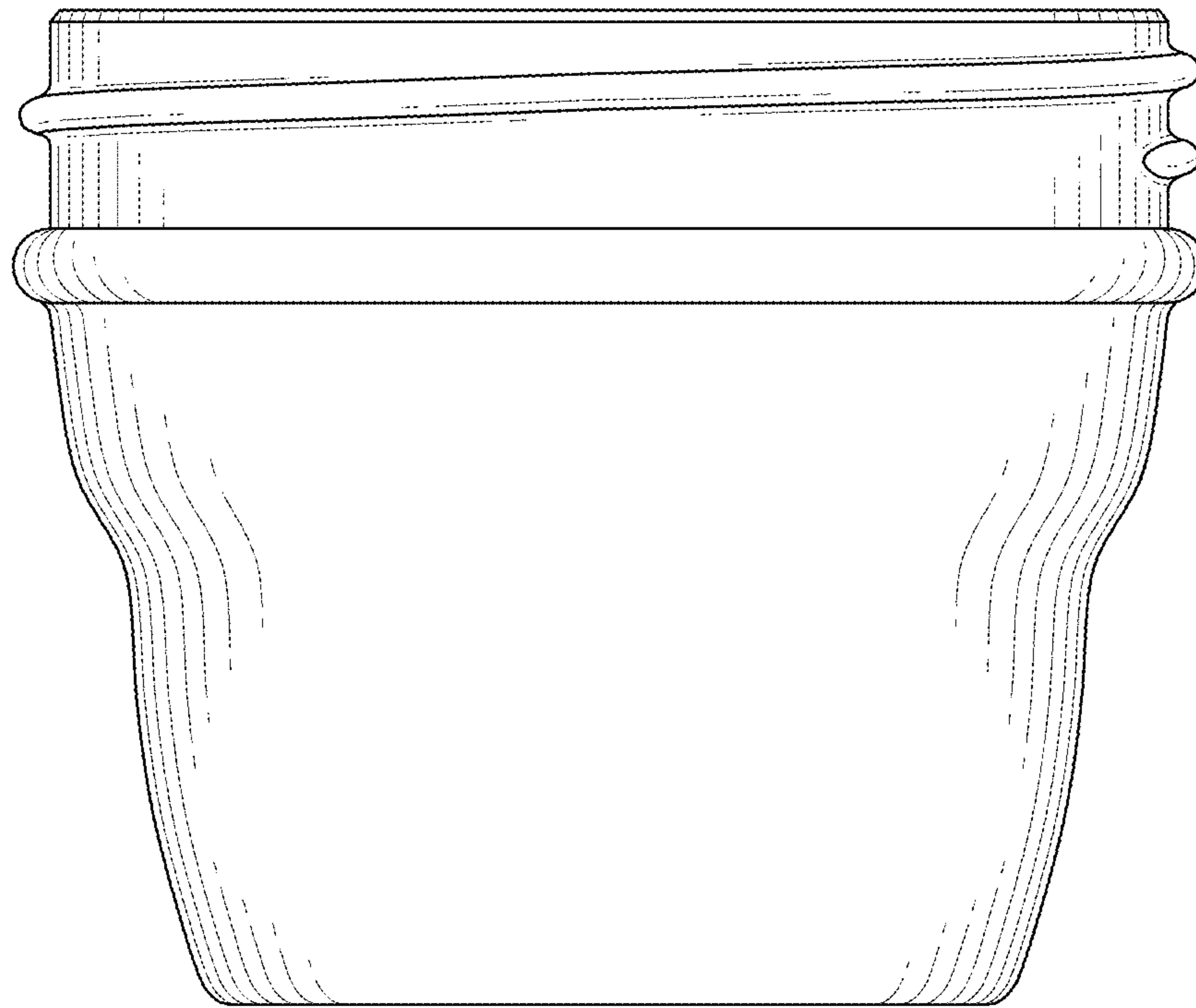


FIG. 5

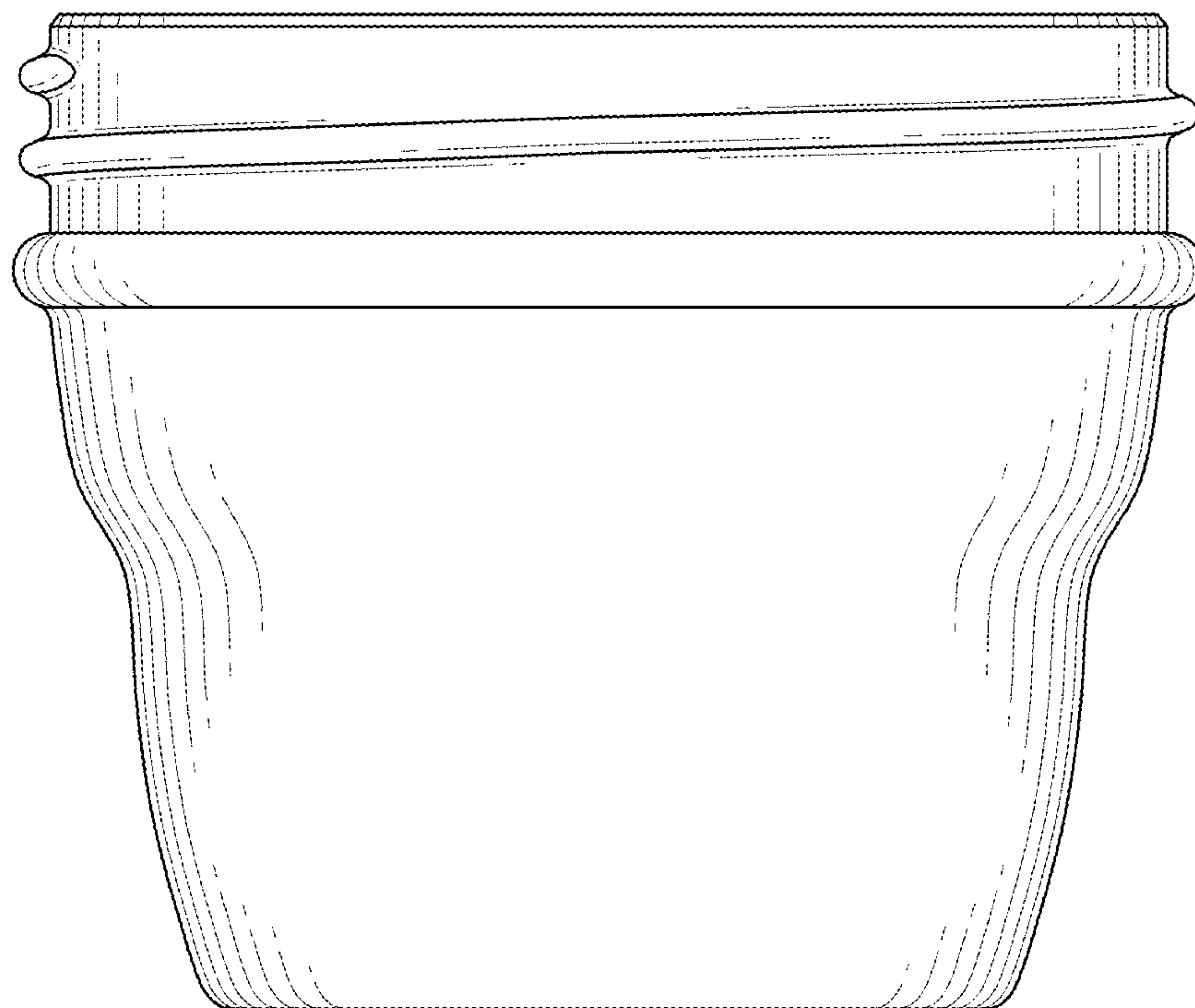


FIG. 6



FIG. 7

