



US00D891184S

(12) **United States Design Patent** (10) **Patent No.:** **US D891,184 S**
Ayres (45) **Date of Patent:** **** Jul. 28, 2020**

(54) **WATER BOTTLE**
(71) Applicant: **DYLN INC.**, Irvine, CA (US)
(72) Inventor: **Dorian R. Ayres**, Costa Mesa, CA (US)
(73) Assignee: **DYLN INC.**, Irvine, CA (US)
(**) Term: **15 Years**
(21) Appl. No.: **29/666,067**
(22) Filed: **Oct. 9, 2018**
(51) **LOC (12) Cl.** **07-01**
(52) **U.S. Cl.**
USPC **D7/523**; D9/500
(58) **Field of Classification Search**
USPC D7/517, 519, 510, 511, 523, 532, 300,
D7/300.1, 313, 509; D9/500, 501, 502,
D9/503, 504, 516, 530, 539, 549, 562,
D9/571, 574, 575
CPC A47G 19/22; A47G 19/2288; A47G
19/2205; A47J 43/27; A47J 41/0077;
A47J 41/0088
See application file for complete search history.

(56) **References Cited**

U.S. PATENT DOCUMENTS

D58,203 S	6/1921	Anderson	
2,090,320 A	8/1937	Amick	
D217,585 S *	5/1970	Lambelet	D9/500
3,578,415 A	5/1971	Hiltz	
D286,617 S *	11/1986	Goodwin	D9/538
D379,151 S	5/1997	Stevens	
D383,677 S	9/1997	Darr	
D398,193 S	9/1998	Sanchez	
D412,281 S	7/1999	Lindsay et al.	
D422,902 S *	4/2000	Kikuchi	D9/504
D436,501 S	1/2001	Huang	
D456,714 S *	5/2002	Brauner	D9/500
D499,336 S *	12/2004	Flecheux	D9/500

7,055,706 B2	6/2006	Kurs	
D531,903 S	11/2006	Haubein	
D576,044 S	9/2008	Lamb et al.	
D582,279 S	12/2008	Darr et al.	
D604,641 S *	11/2009	Renz	D9/500
D608,642 S	1/2010	Black	
D617,195 S *	6/2010	Williams	D9/500
D621,709 S *	8/2010	Minakuchi	D9/503
D622,553 S	8/2010	Bollenbacher	
D626,416 S	11/2010	Cresswell et al.	
D633,793 S *	3/2011	Reagan	D9/500
D640,559 S	6/2011	Llerena	
D640,561 S	6/2011	Seys	
D655,571 S	3/2012	Tuttle	
D656,025 S	3/2012	Carreno	
D658,449 S	5/2012	Ying	
D664,809 S	8/2012	Eyal	
D672,655 S *	12/2012	Huffman	D9/500

(Continued)

FOREIGN PATENT DOCUMENTS

KR 2003188810000 7/2003

Primary Examiner — Jae Liang

(74) *Attorney, Agent, or Firm* — Stetina Brunda Garred and Brucker

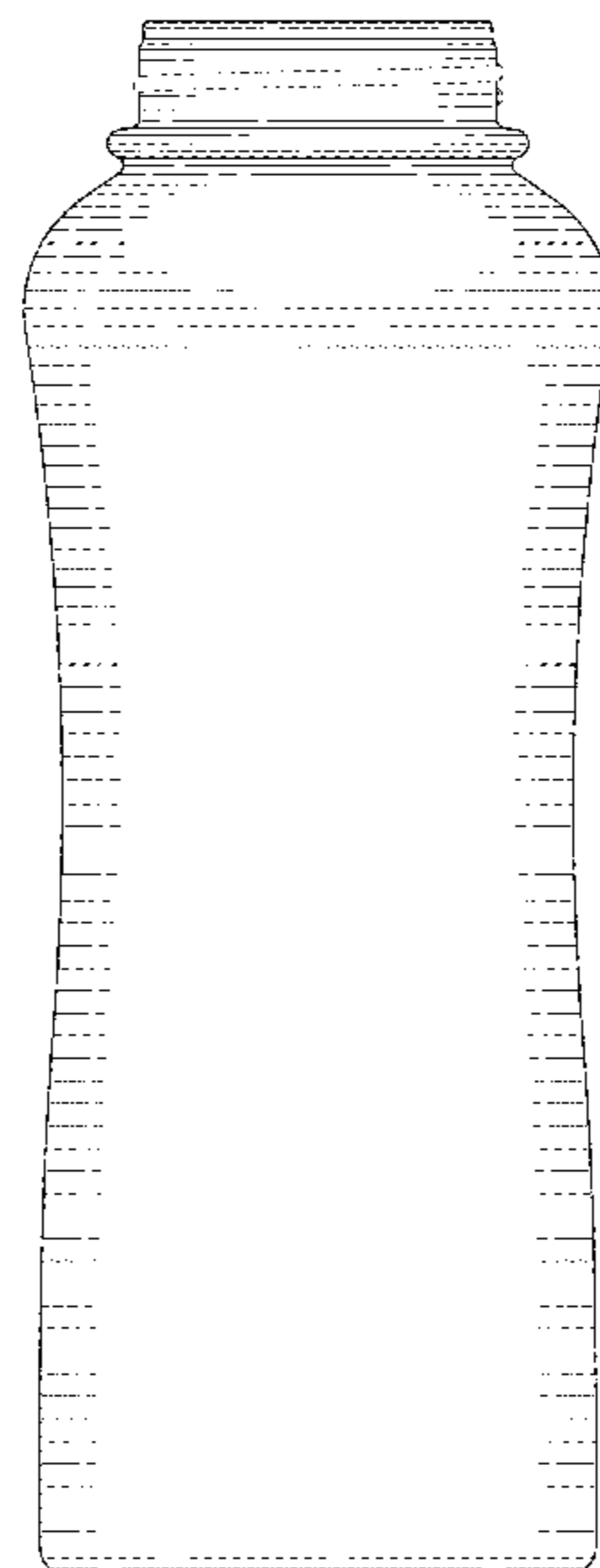
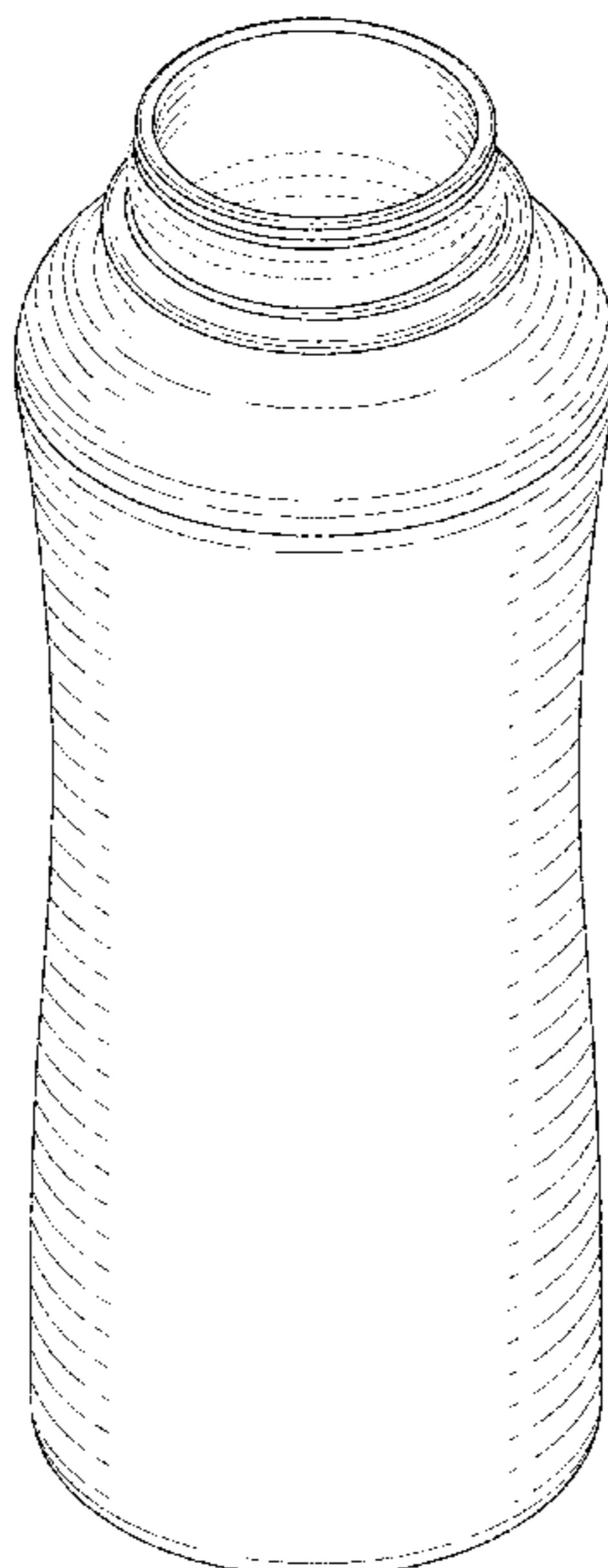
(57) **CLAIM**

The ornamental design for a water bottle, as shown and described.

DESCRIPTION

FIG. 1 is a perspective view of a water bottle showing my new design;
FIG. 2 is a front view thereof; the rear, left side and right side views being identical;
FIG. 3 is a top view thereof; and,
FIG. 4 is a bottom view thereof.
The broken lines depict portions of the water bottle that form no part of the claim.

1 Claim, 2 Drawing Sheets



(56)

References Cited

U.S. PATENT DOCUMENTS

D687,302	S	8/2013	Reynolds	
D699,108	S	2/2014	Cox et al.	
D699,109	S *	2/2014	Cox	D9/500
D699,516	S	2/2014	Kim et al.	
D699,577	S	2/2014	Rogers et al.	
D700,517	S	3/2014	Oommen et al.	
D703,049	S	4/2014	Riley et al.	
D703,403	S	4/2014	Dey et al.	
D710,206	S *	8/2014	Rajesh	D9/538
D718,575	S	12/2014	Khan	
D740,609	S *	10/2015	Ayres	D7/523
D753,442	S	4/2016	Weernink	
D772,014	S	11/2016	Ayres	
9,688,445	B2	6/2017	Ayres et al.	
D792,769	S *	7/2017	Bischoff	D9/500
D798,719	S *	10/2017	Carpenter	D9/503
D808,268	S *	1/2018	Bischoff	D9/500
D811,818	S	3/2018	Wu	
D812,428	S	3/2018	Wu	
D813,674	S *	3/2018	Peacock	D9/500
D822,489	S *	7/2018	Bischoff	D9/500
D829,058	S	9/2018	Seiders et al.	
D830,783	S	10/2018	Diener et al.	
D832,651	S	11/2018	Wiet et al.	
D849,482	S	5/2019	Diener et al.	
2007/0221556	A1	9/2007	Chung	
2009/0045194	A1	2/2009	Rhee	
2009/0321440	A1	12/2009	Fedusa et al.	
2016/0088960	A1	3/2016	Liang	
2017/0066573	A1	3/2017	Karussi et al.	
2017/0173769	A1	6/2017	Ayres	
2017/0259983	A1	9/2017	Tolman et al.	
2017/0305640	A1	10/2017	Thompson	

* cited by examiner

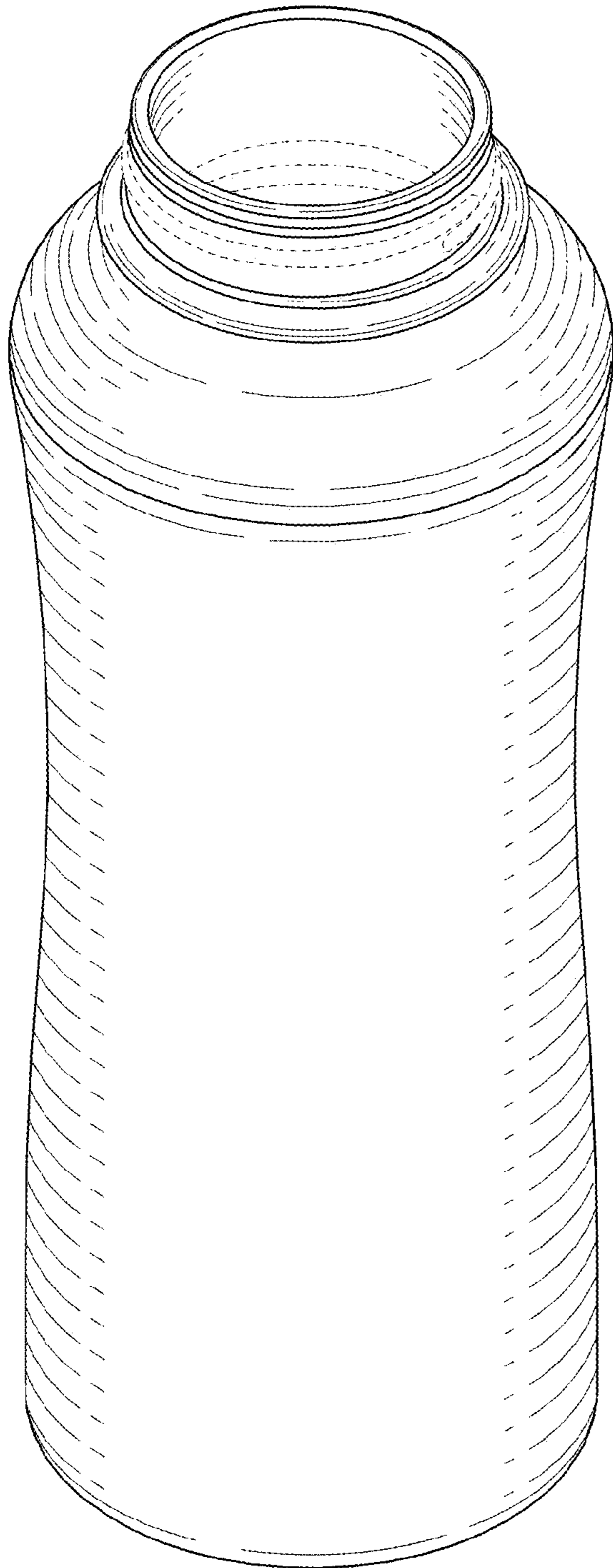


FIG. 1

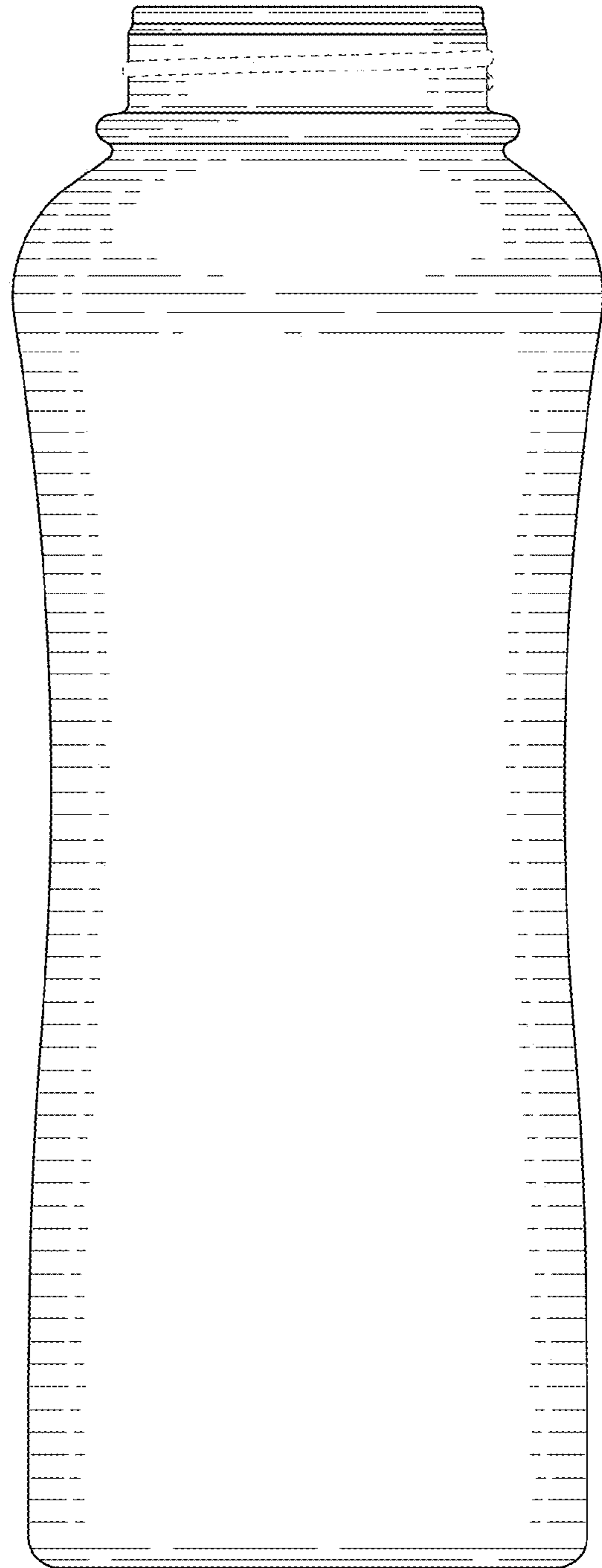


FIG. 2

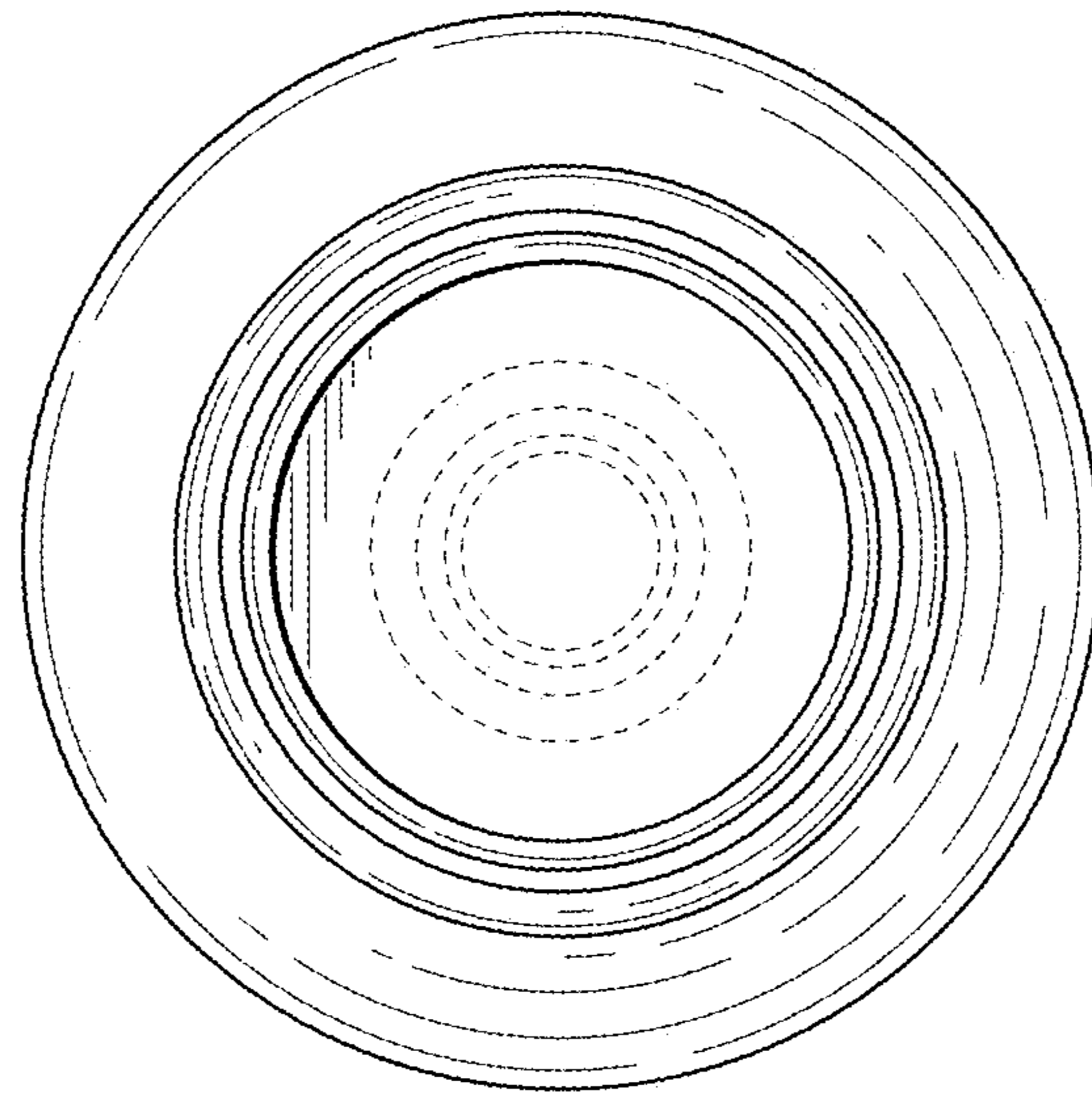


FIG. 3

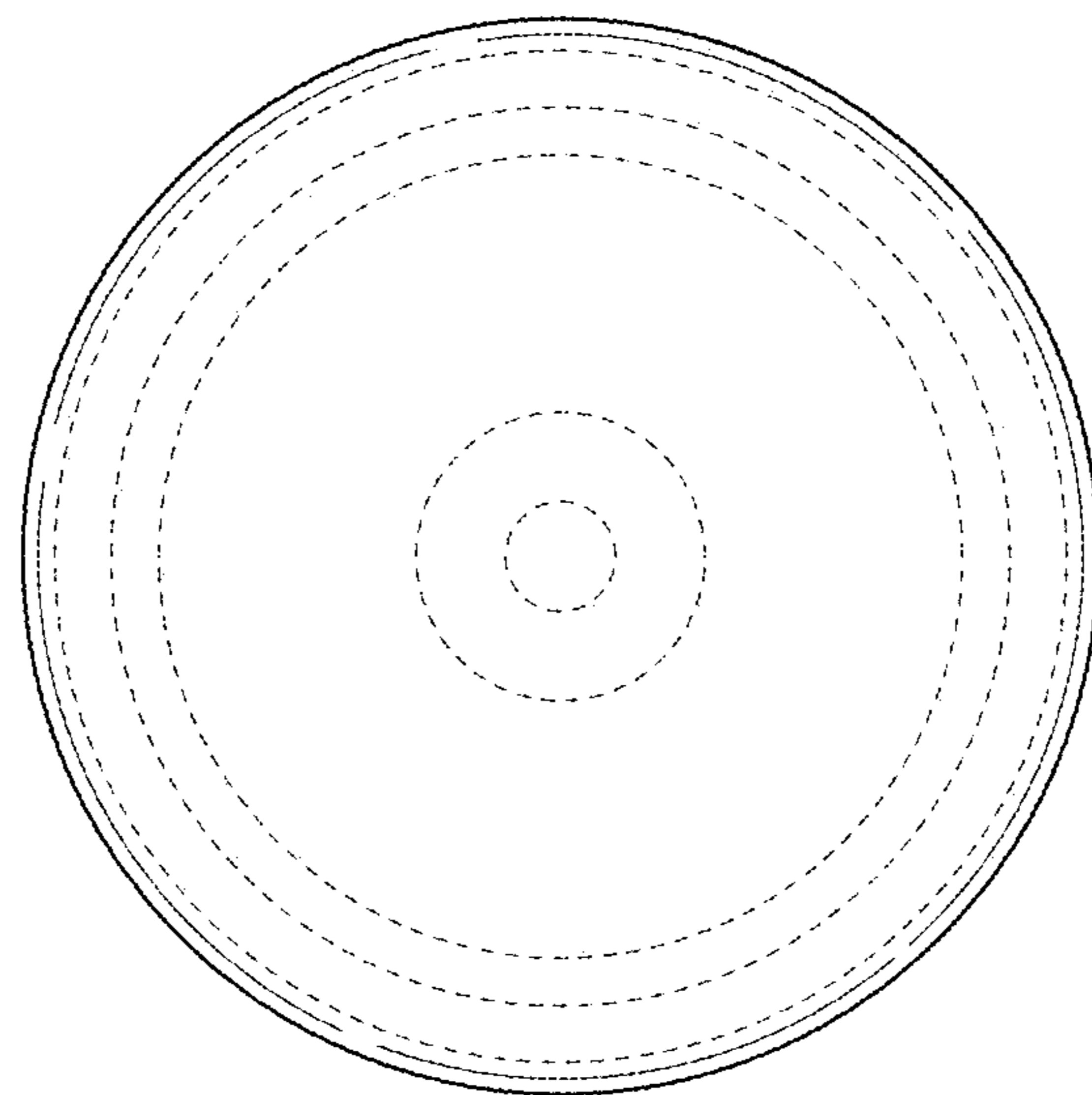


FIG. 4