

US00D891183S

(12) **United States Design Patent**
Patel

(10) **Patent No.:** **US D891,183 S**
(45) **Date of Patent:** **** Jul. 28, 2020**

(54) **DRINKING VESSEL**

(71) Applicant: **Abdul Ebrahim Patel**, Essex (GB)

(72) Inventor: **Abdul Ebrahim Patel**, Essex (GB)

(**) Term: **15 Years**

(21) Appl. No.: **29/633,323**

(22) Filed: **Jan. 12, 2018**

(51) **LOC (12) Cl.** **07-01**

(52) **U.S. Cl.**
USPC **D7/523; D7/507**

(58) **Field of Classification Search**
USPC D7/507, 509, 510, 511, 523, 528, 529,
D7/530, 531, 397, 622, 533, 536, 500,
D7/608; D9/523, 552, 542, 569, 530,
D9/531, 570, 453, 500, 452, 444, 439,
D9/434, 435
CPC A47G 19/22; A47G 19/2272; A47G
19/2266; B65D 1/265; B65D 47/066;
B65D 3/06
See application file for complete search history.

(56) **References Cited**

U.S. PATENT DOCUMENTS

2,982,440 A * 5/1961 Harrison B65D 1/265
220/609

3,199,757 A * 8/1965 McConnell B65D 1/265
229/400

3,406,868 A * 10/1968 Rogers B65D 77/28
220/710

3,442,420 A * 5/1969 Edwards B65D 1/265
206/520

4,726,553 A * 2/1988 Wischusen, III .. A47G 23/0216
215/393

5,001,907 A * 3/1991 LaCroix A47G 19/2227
62/438

5,361,935 A * 11/1994 Sagucio A47G 19/2266
215/229

D367,413 S * 2/1996 Ballin D10/46.2

D484,361 S * 12/2003 Jeung D7/300.2

D552,930 S * 10/2007 Huffman D7/523

D554,764 S * 11/2007 Gerretz D24/224

D561,534 S * 2/2008 Marks D7/500

D624,276 S * 9/2010 Green D1/106

D635,399 S * 4/2011 DeVecchio D7/509

D655,982 S * 3/2012 Liu D7/509

D720,963 S * 1/2015 Jarvis D7/523

D724,386 S * 3/2015 Royer D7/523

D725,969 S * 4/2015 Garner D7/523

D733,496 S * 7/2015 Pisarevsky D7/507

D737,100 S * 8/2015 Ross D7/523

D772,013 S * 11/2016 O'Connor D7/509

D772,653 S * 11/2016 Miller D7/523

D777,519 S * 1/2017 Levy D7/509

D798,663 S * 10/2017 Matsui D7/507

D804,900 S * 12/2017 Choe D7/509

D811,821 S * 3/2018 Arora D7/523

D817,097 S * 5/2018 Arora D7/523

(Continued)

Primary Examiner — Jae Liang

(74) *Attorney, Agent, or Firm* — Adler, Pollock & Sheehan P.C.

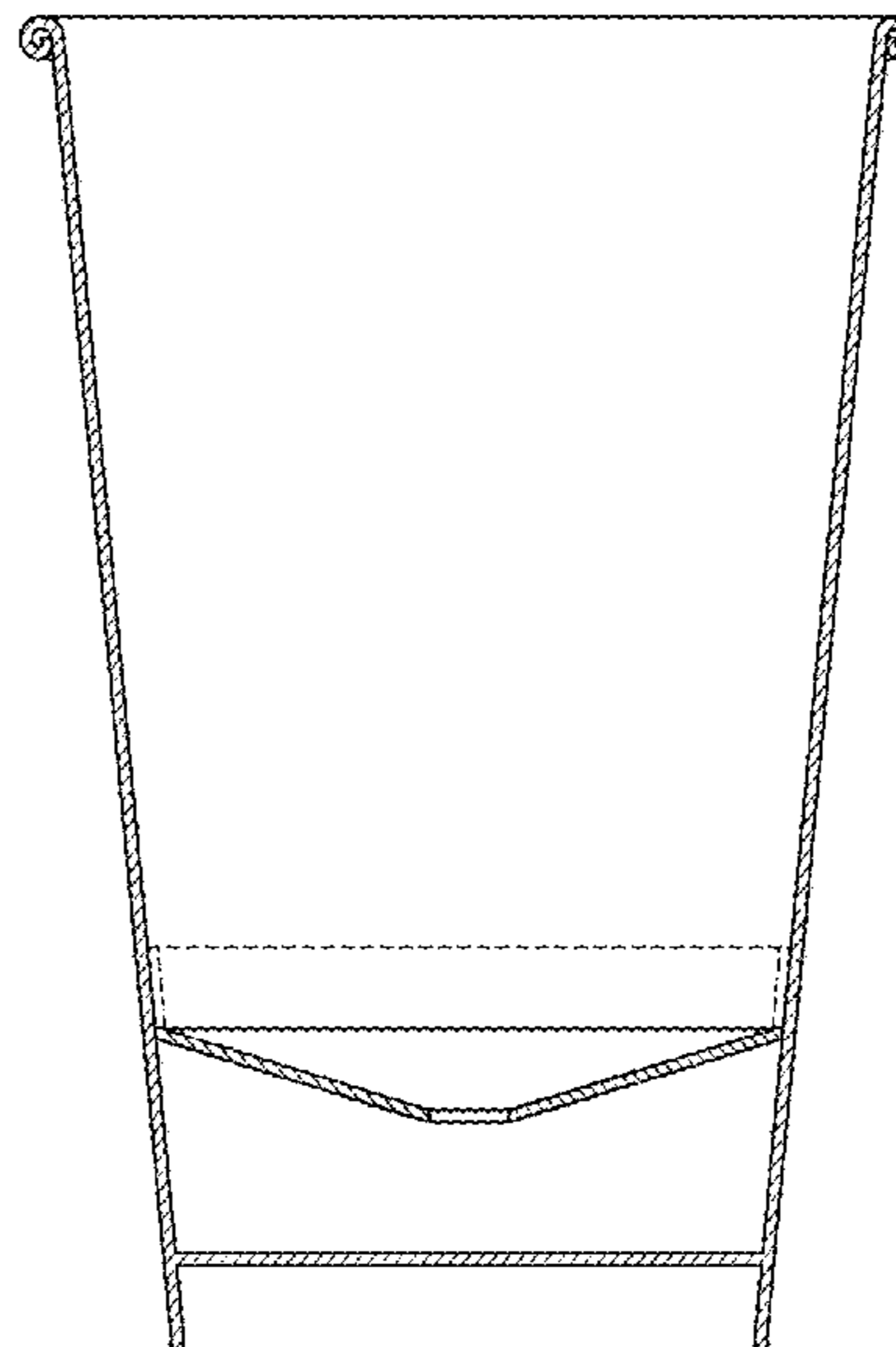
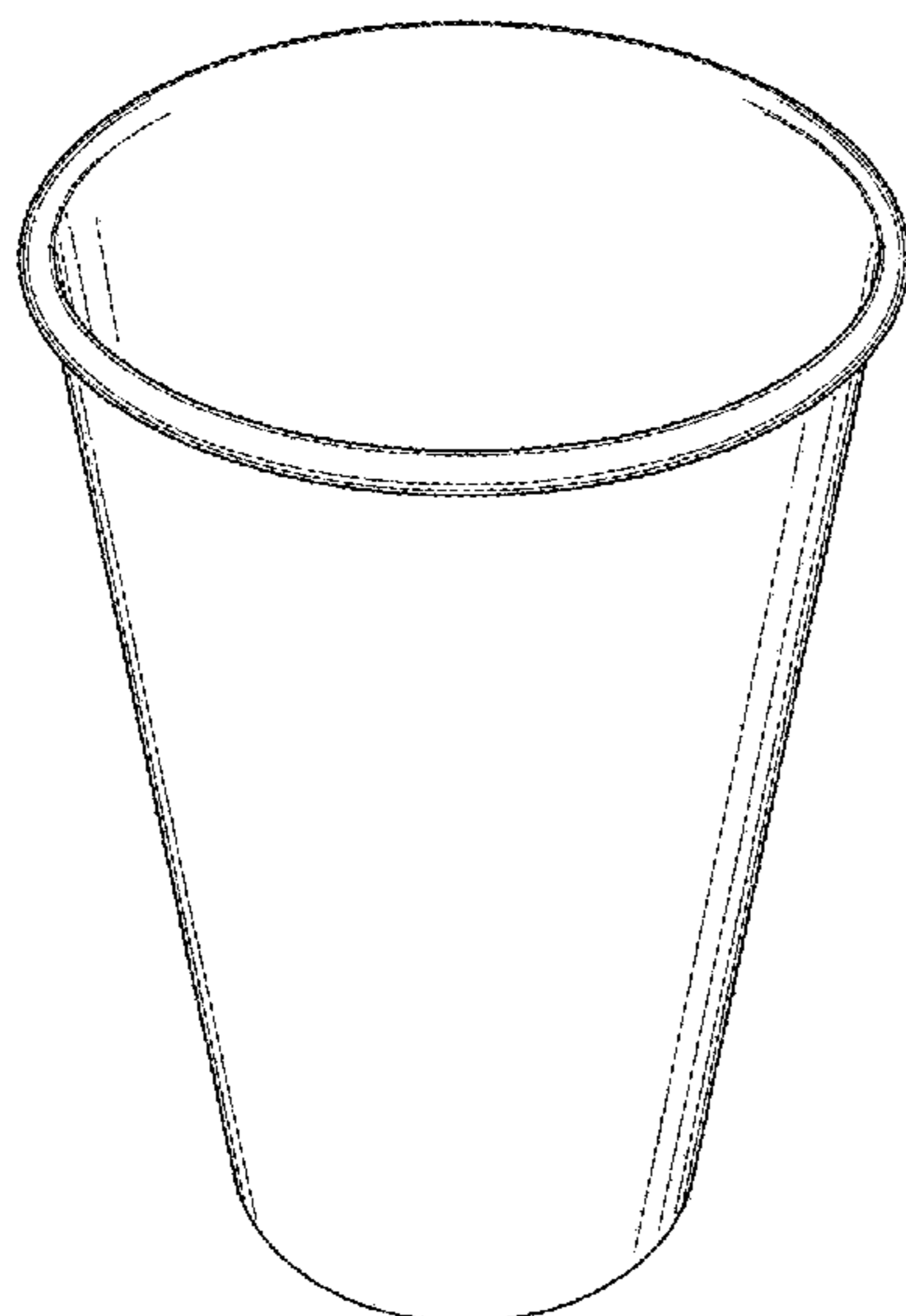
(57) **CLAIM**

The ornamental design for a drinking vessel, as shown and described.

DESCRIPTION

FIG. 1 is a front perspective view of a drinking vessel;
FIG. 2 is a front view thereof;
FIG. 3 is a cross-sectional view showing a section taken along line 3-3 of FIG. 4;
FIG. 4 is a top view thereof;
FIG. 5 is a bottom view thereof; and,
FIG. 6 is a top perspective view thereof.
The elements depicted in broken lines in the various figures are included for environmental purposes only, and form no part of the claimed design.

1 Claim, 6 Drawing Sheets



(56)

References Cited

U.S. PATENT DOCUMENTS

D817,098	S *	5/2018	Arora	D7/523
D839,672	S *	2/2019	Naber	D7/509
D843,785	S *	3/2019	Arora	D7/523
2003/0089725	A1 *	5/2003	Kang	A47G 19/065 220/703
2003/0219616	A1 *	11/2003	Cheng	A47G 19/2227 428/542.2
2008/0210694	A1 *	9/2008	Castonguay	A47G 19/2261 220/592.17
2014/0263367	A1 *	9/2014	Robertson	B65D 81/3874 220/592.2

* cited by examiner

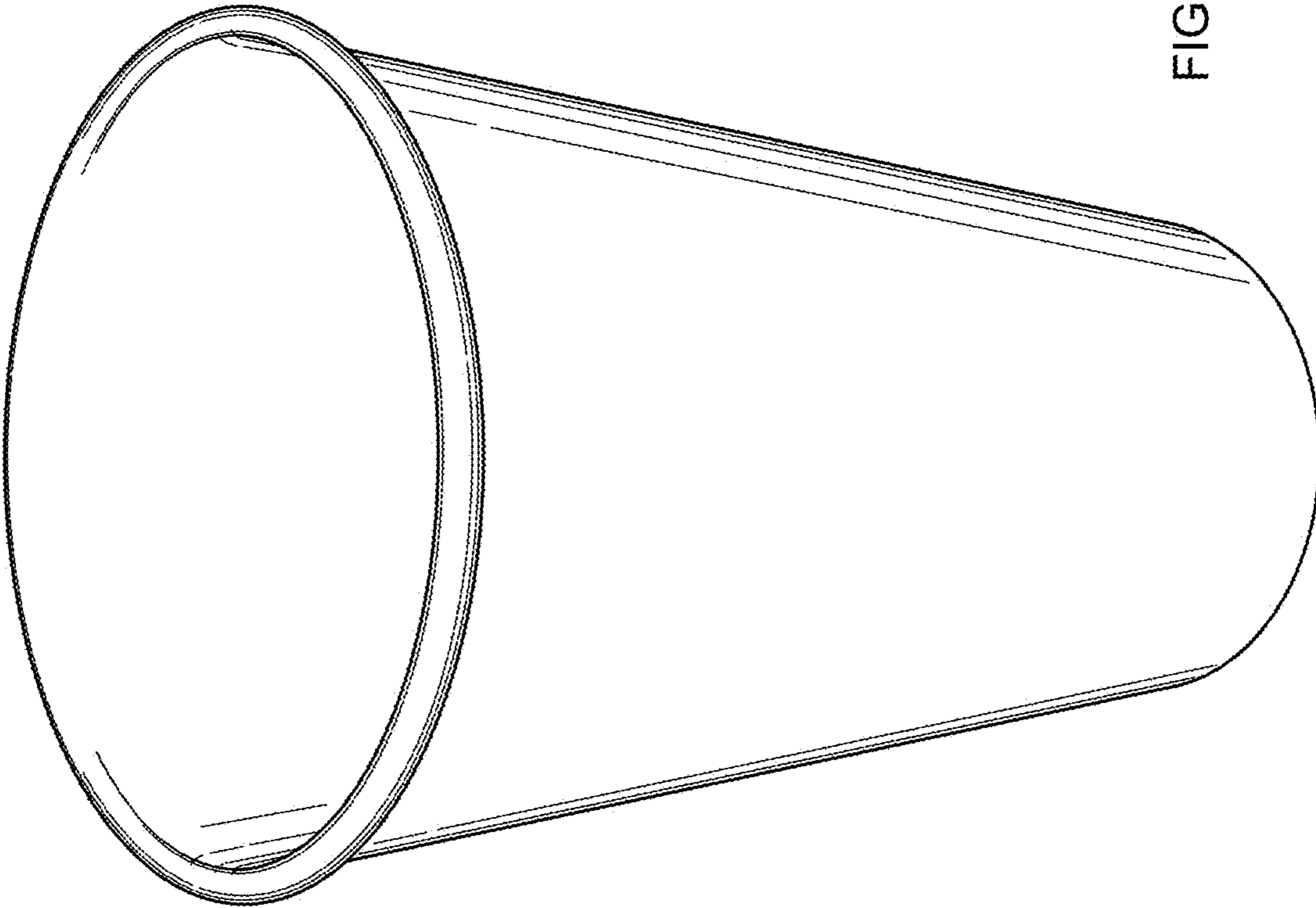


FIG. 1

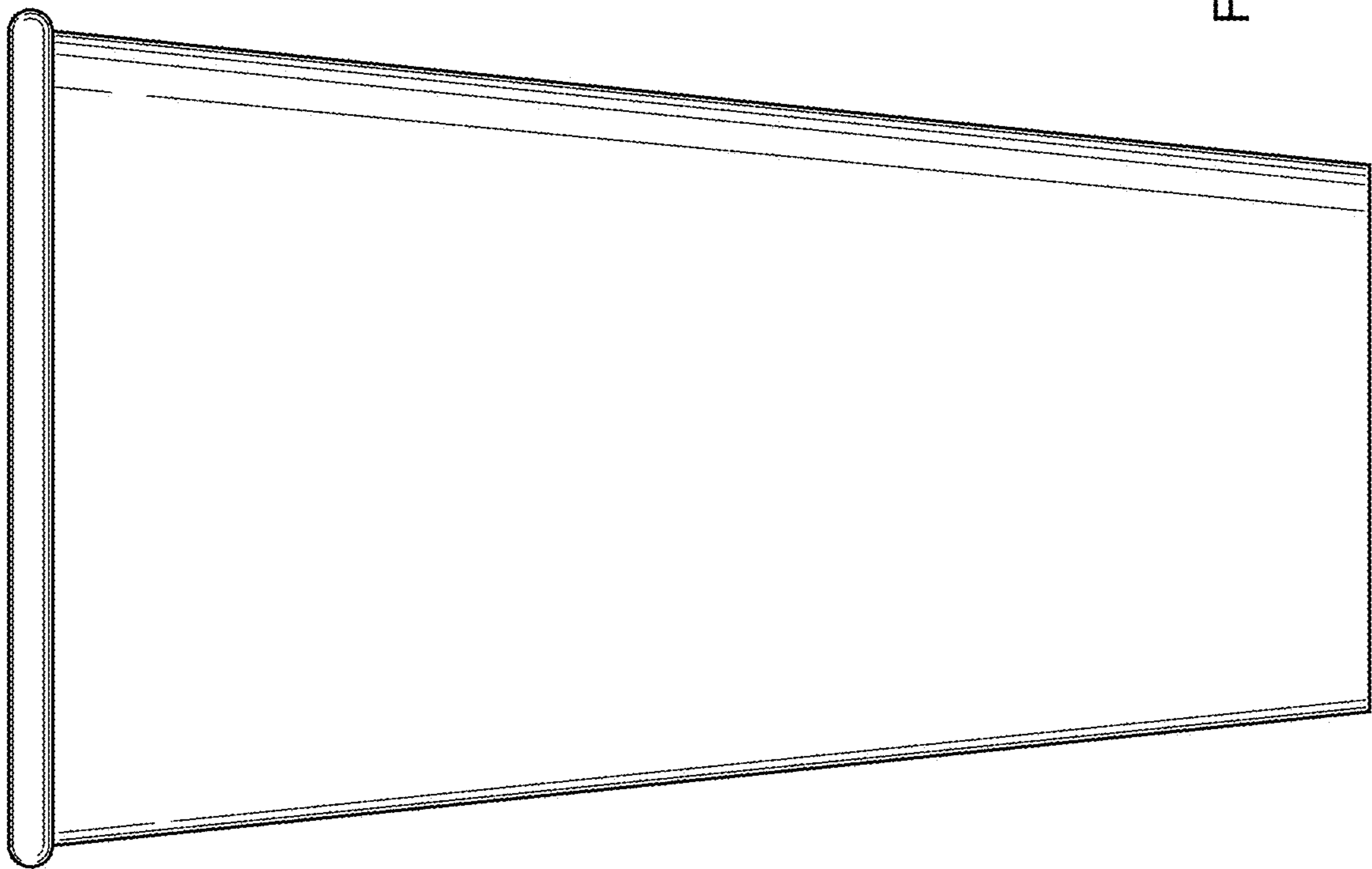


FIG. 2

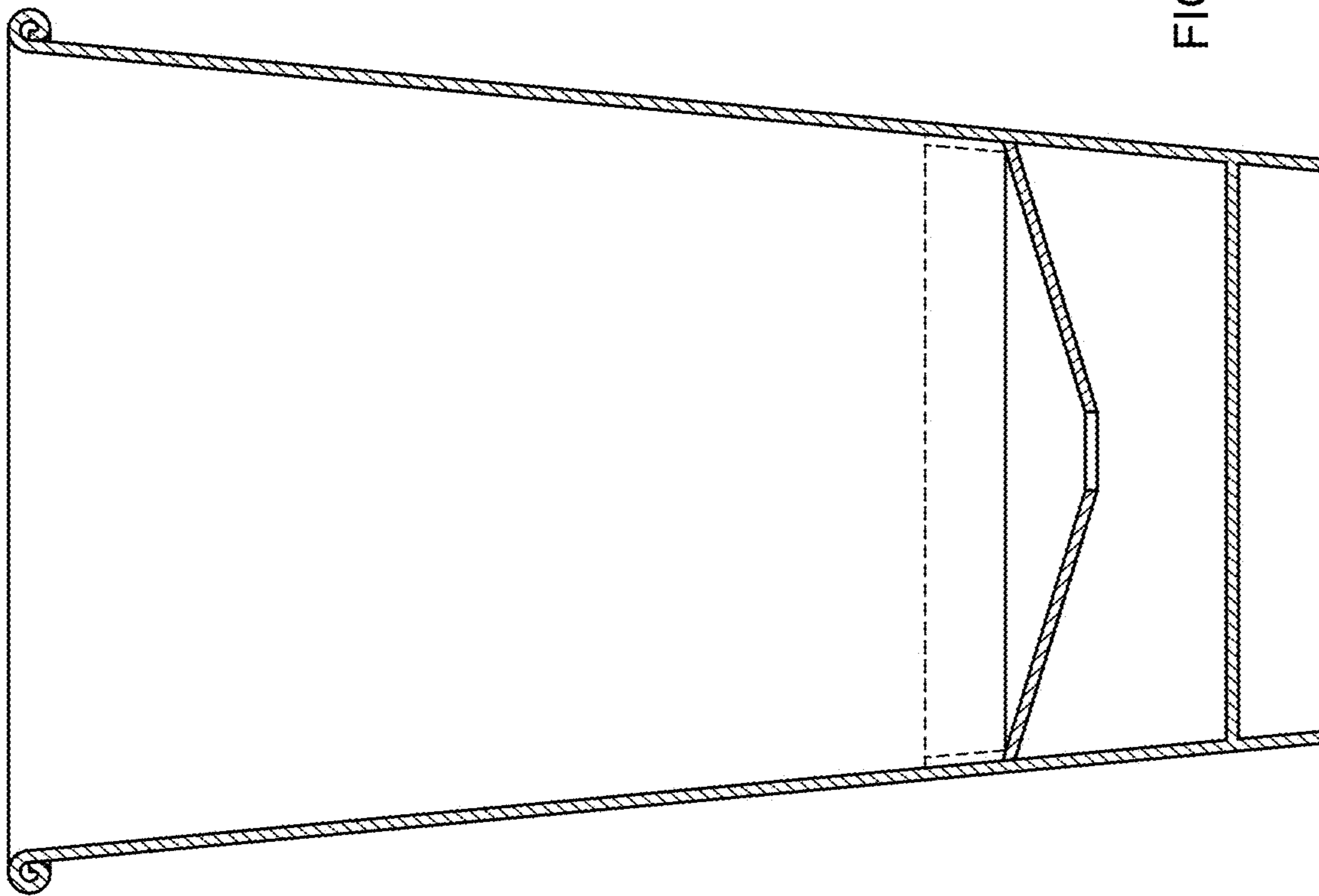


FIG. 3

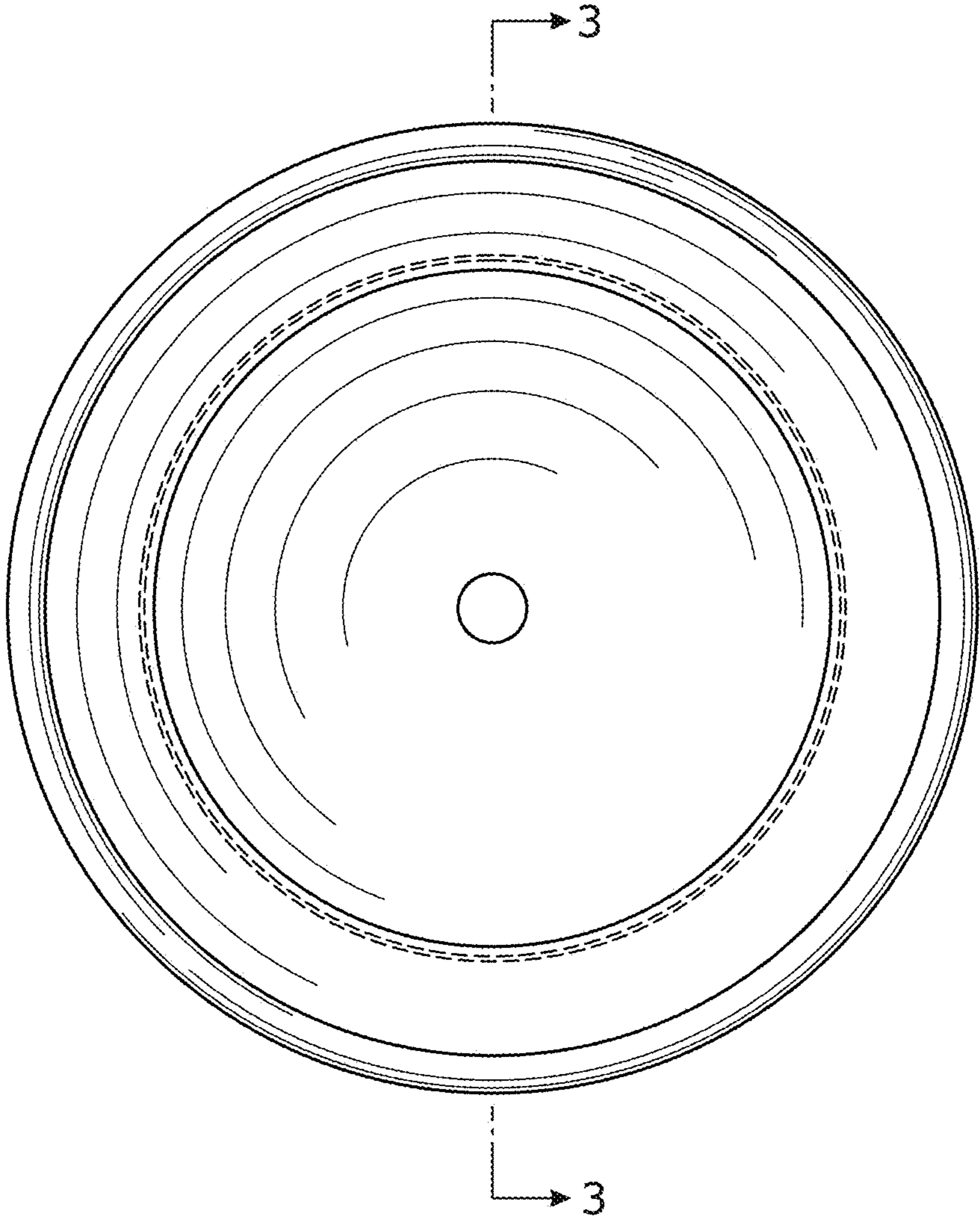


Fig. 4

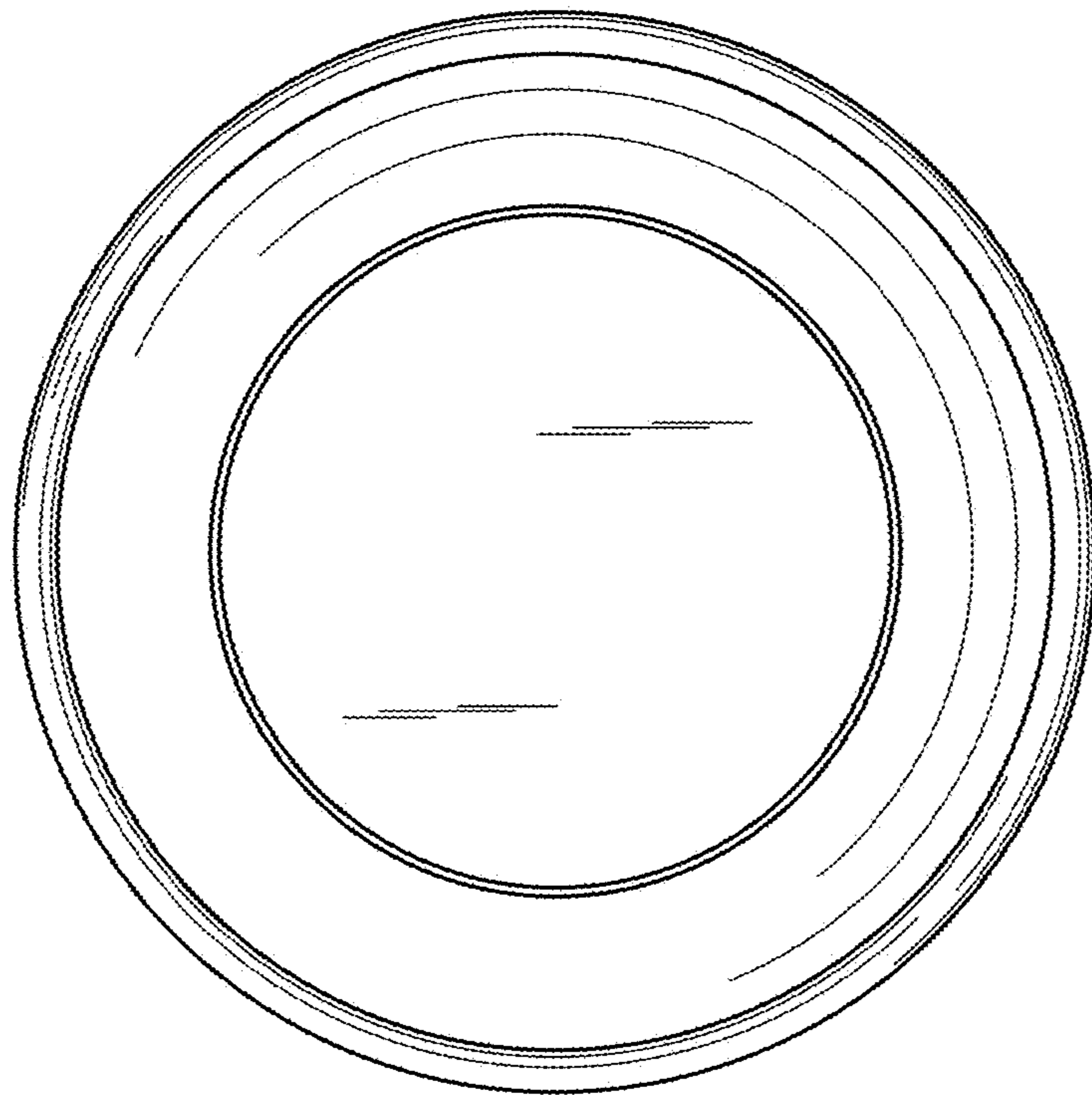


FIG. 5

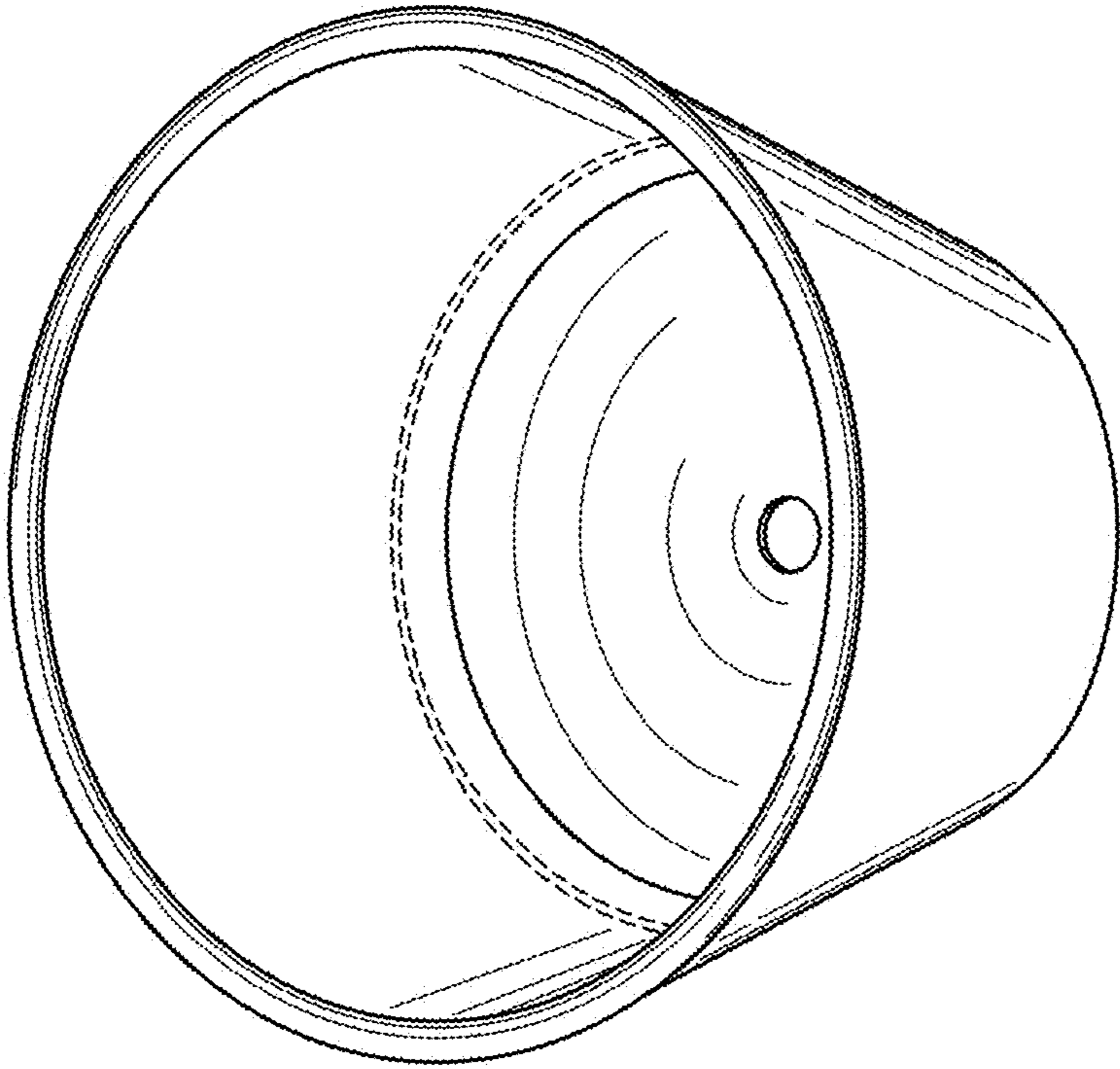


FIG. 6