



US00D891182S

(12) **United States Design Patent**
Lane et al.

(10) **Patent No.:** **US D891,182 S**
(45) **Date of Patent:** **** Jul. 28, 2020**

(54) **TUMBLER**

- (71) Applicant: **THERMOS L.L.C.**, Schaumburg, IL (US)
- (72) Inventors: **Marvin Lane**, Wheeling, IL (US);
Dwayne Boroski, Lake in the Hills, IL (US);
Ryan Stuart Biery, Chicago, IL (US);
Kelly Tina Lin, Plainfield, IL (US)
- (73) Assignee: **Thermos L.L.C.**, Schaumburg, IL (US)
- (**) Term: **15 Years**
- (21) Appl. No.: **29/711,641**
- (22) Filed: **Nov. 1, 2019**

Related U.S. Application Data

- (62) Division of application No. 29/660,272, filed on Aug. 20, 2018.
- (51) **LOC (12) Cl.** **07-01**
- (52) **U.S. Cl.**
USPC **D7/510**
- (58) **Field of Classification Search**
USPC D7/393, 396.1, 396.2, 397, 509, 510,
D7/511, 533, 543; D9/763, 767, 772,
D9/516, 530, 531, 537, 549, 564
CPC A45F 3/16; A45F 3/18; A47G 19/2266;
B65D 41/04; B65D 41/0414; B65D
51/18; B65D 1/265

See application file for complete search history.

(56) **References Cited**

U.S. PATENT DOCUMENTS

6,098,834 A *	8/2000	Hatsumoto	B65D 47/249 220/212.5
D545,129 S *	6/2007	Tien	D7/510
D712,701 S *	9/2014	Boroski	D7/533
8,899,440 B2 *	12/2014	Arnold	B65D 47/265 220/253
D804,902 S *	12/2017	Weernink	D7/510
D814,240 S *	4/2018	Kabalin	D7/510
D814,870 S *	4/2018	Spivey	D7/533
D844,382 S *	4/2019	Seiders	D7/510

* cited by examiner

Primary Examiner — Derrick E Holland

Assistant Examiner — Andrew Kerr

(74) *Attorney, Agent, or Firm* — Polsinelli PC

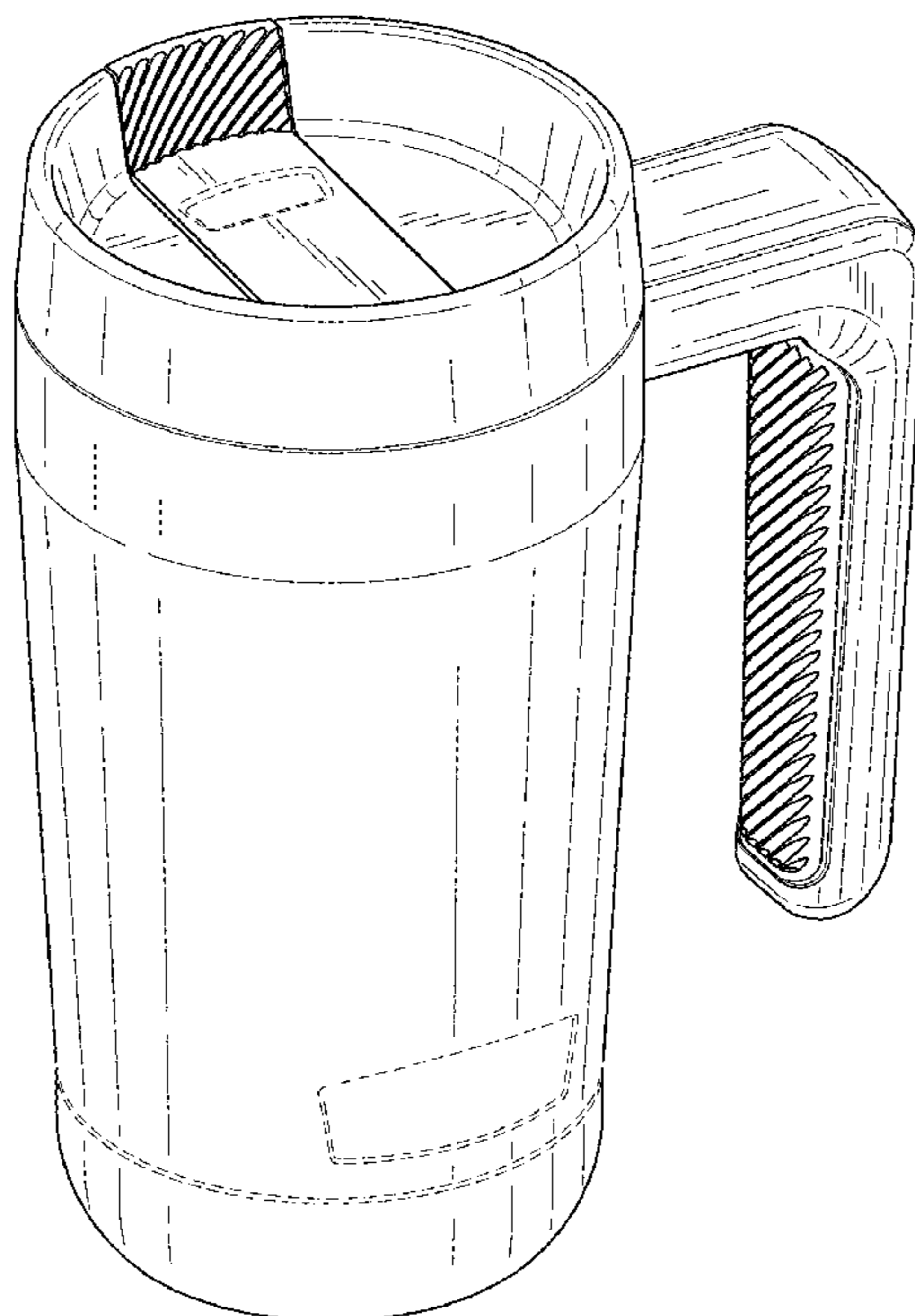
(57) **CLAIM**

The ornamental design for a tumbler, as shown and described.

DESCRIPTION

FIG. 1 is a perspective view of a tumbler, showing our new design;
 FIG. 2 is a front view of the tumbler;
 FIG. 3 is a rear view of the tumbler;
 FIG. 4 is a left side view of the tumbler;
 FIG. 5 is a right side view of the tumbler;
 FIG. 6 is a top view of the tumbler; and,
 FIG. 7 is a bottom view of the tumbler.
 The broken lines showing in the figures are included for the purpose of illustrating portions of the tumbler that form no part of the claimed design. The dash-dot lines showing in the figures are included for defining the bounds of the claimed design that form no part thereof.

1 Claim, 6 Drawing Sheets



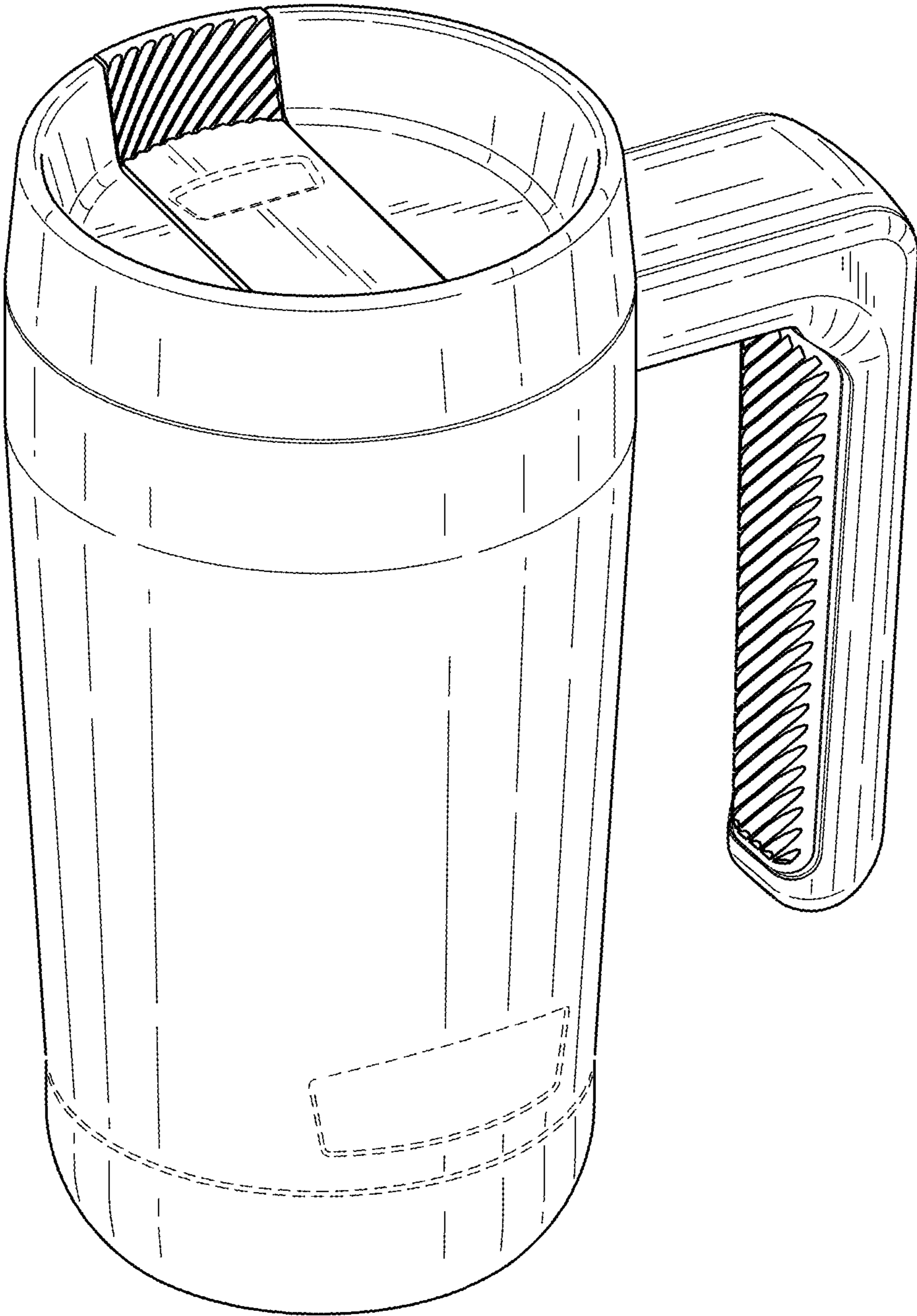


FIG. 1

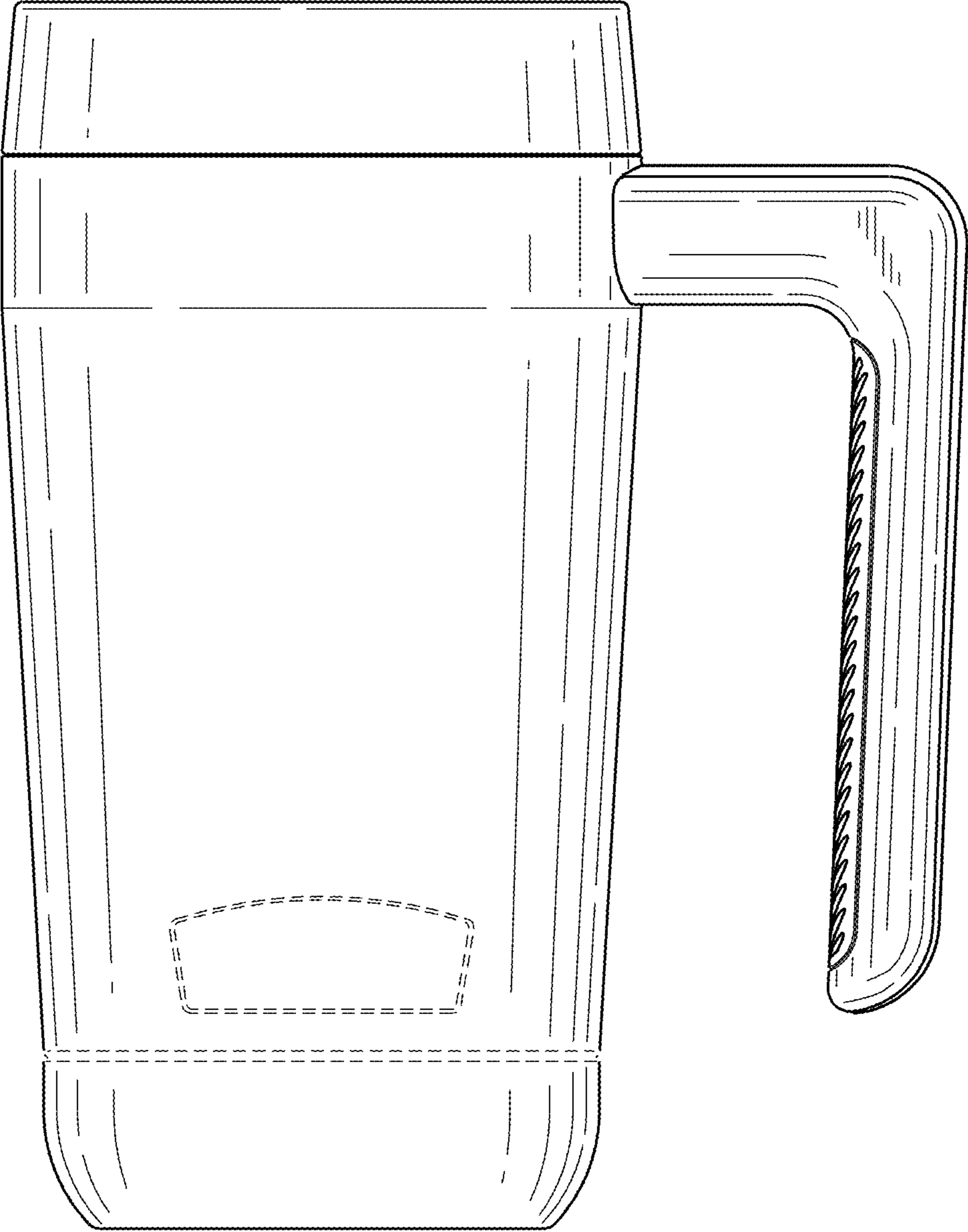


FIG. 2

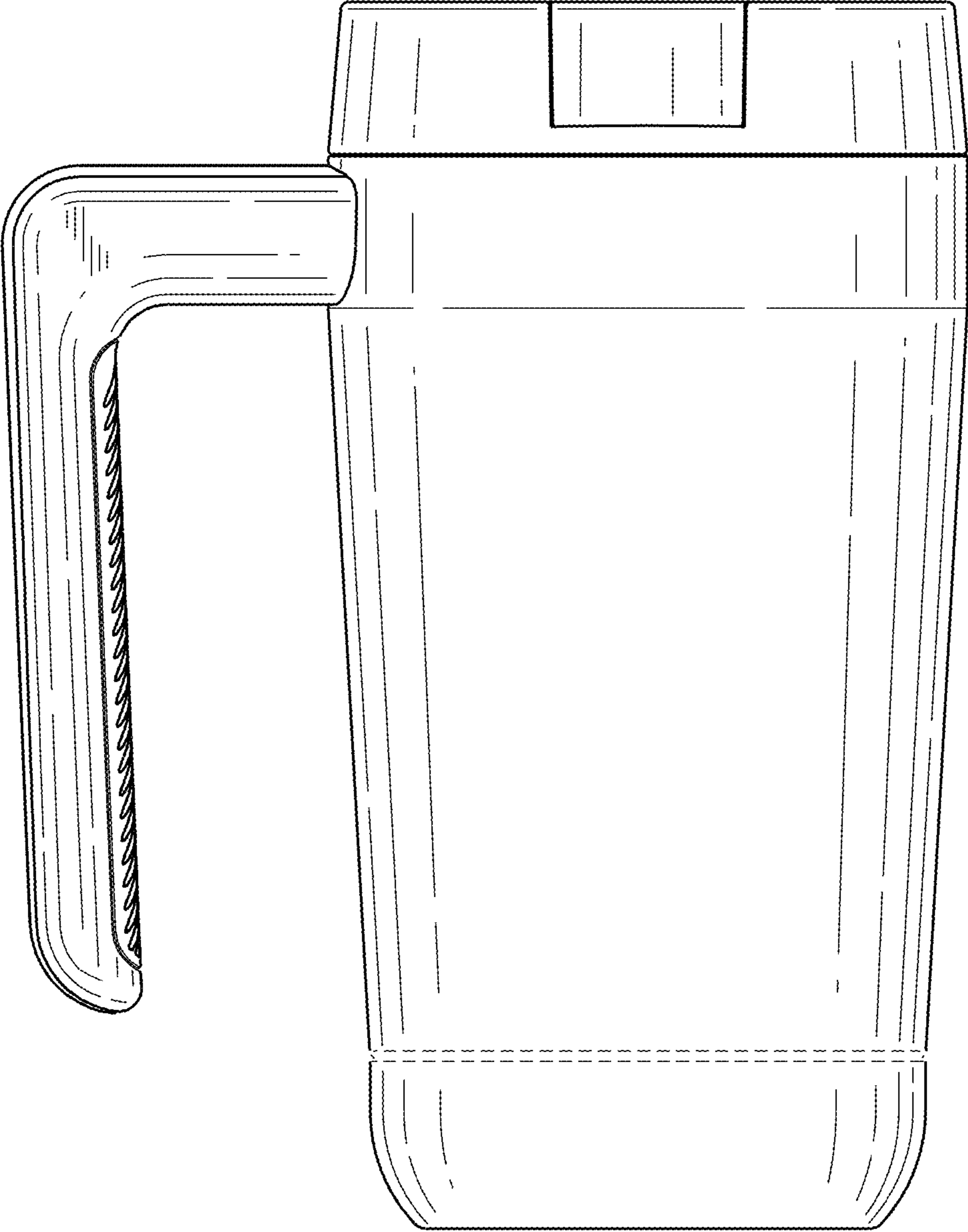


FIG. 3

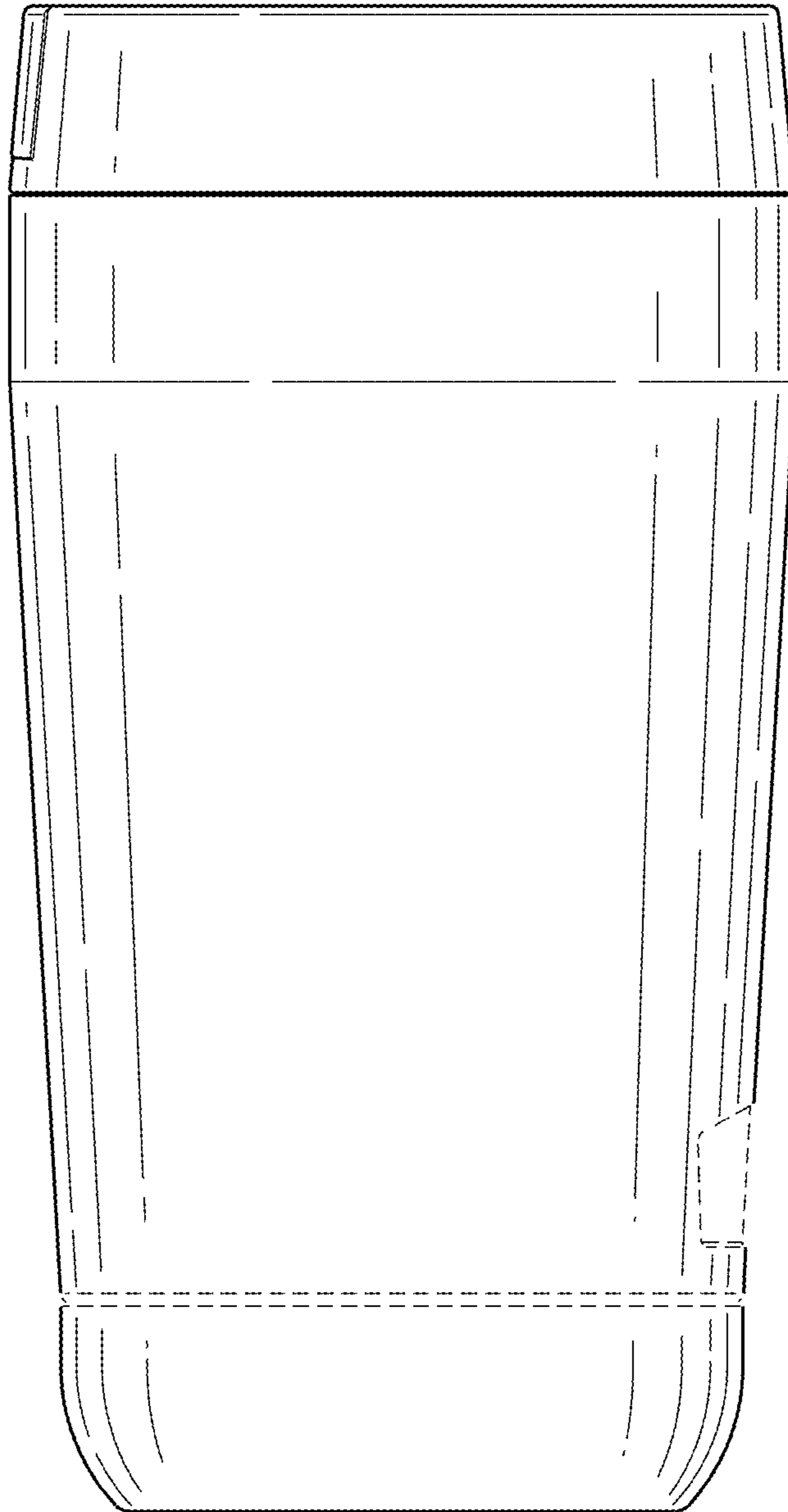


FIG. 4

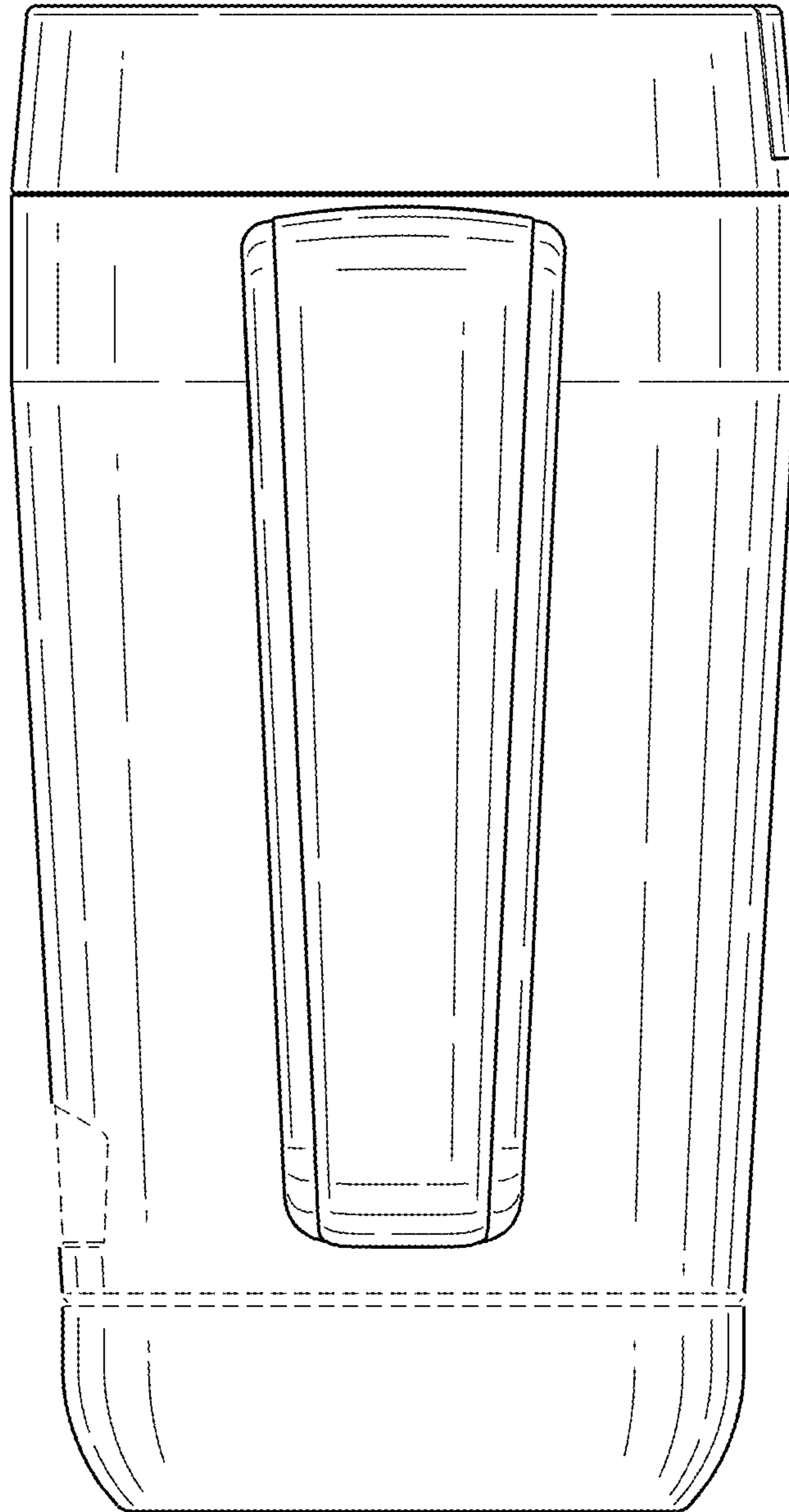


FIG. 5

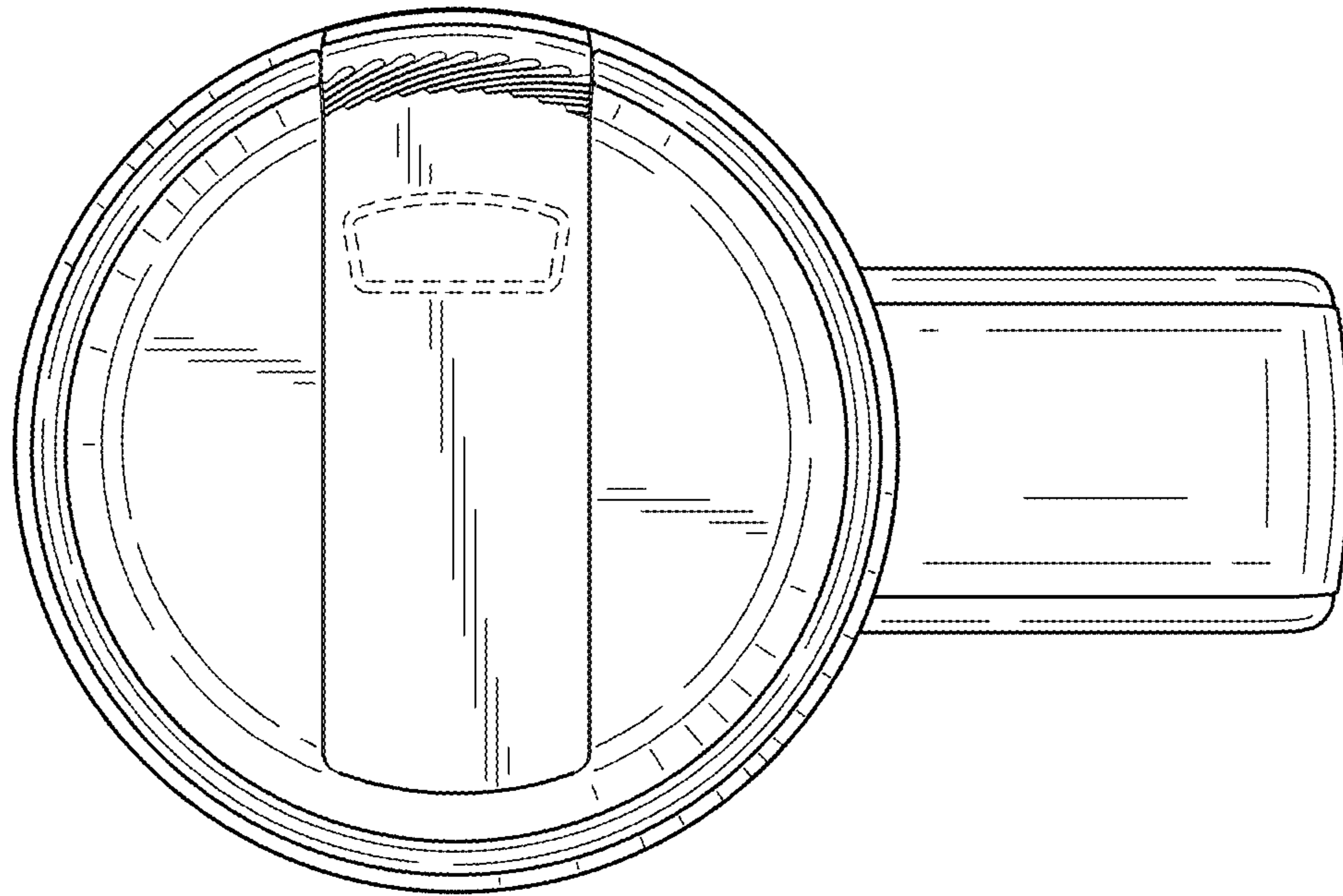


FIG. 6

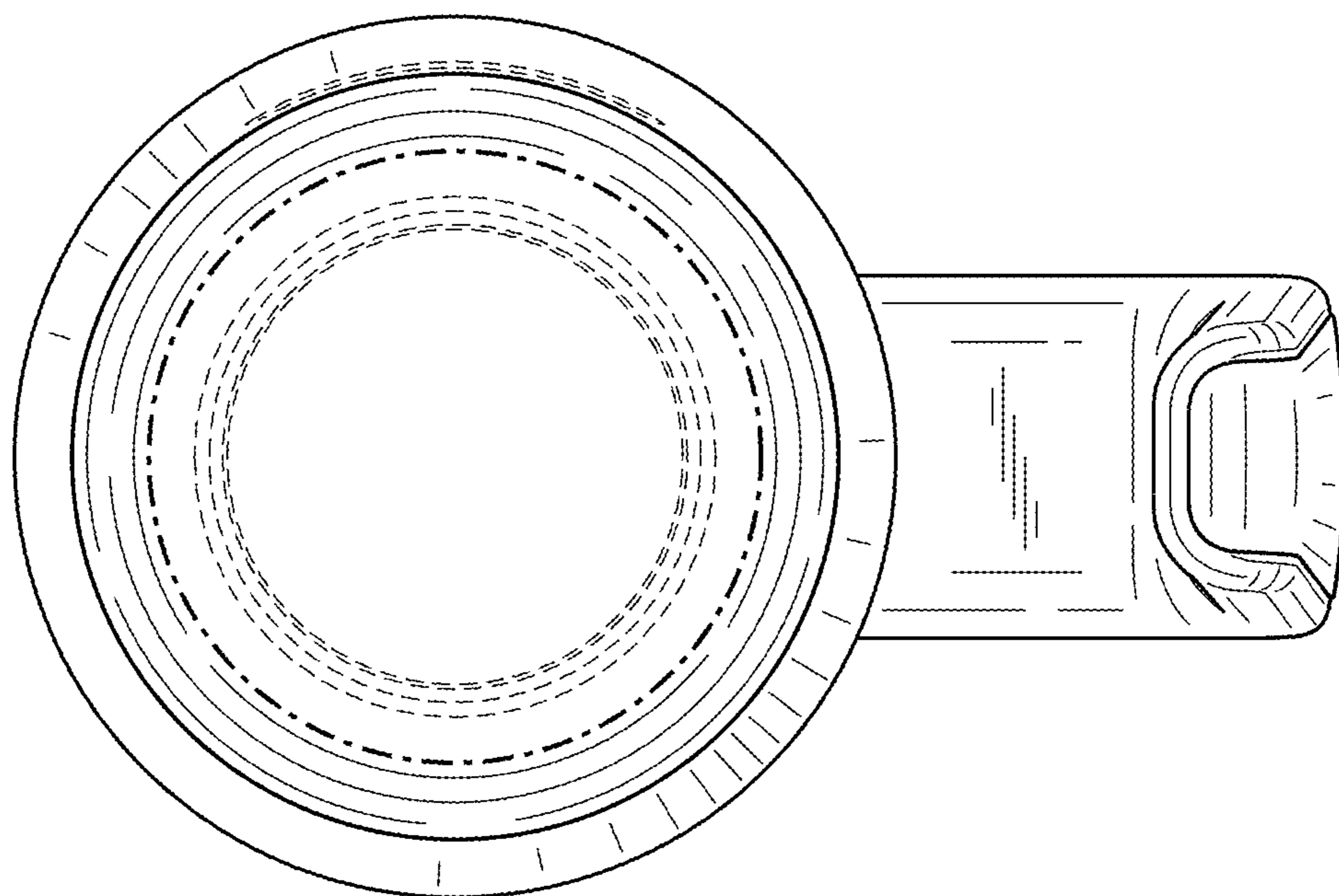


FIG. 7