

US00D891180S

(12) **United States Design Patent**
Fastabend et al.

(10) **Patent No.:** **US D891,180 S**
(45) **Date of Patent:** **** Jul. 28, 2020**

- (54) **WEDGER PUSHER**
- (71) Applicant: **Prince Castle LLC**, Carol Stream, IL (US)
- (72) Inventors: **Mark Fastabend**, Chicago, IL (US);
Aleksandr Yazvin, Glenview, IL (US);
Scott R. Hammac, Joliet, IL (US)
- (73) Assignee: **Prince Castle LLC**, Carol Stream, IL (US)
- (**) Term: **15 Years**
- (21) Appl. No.: **29/649,789**
- (22) Filed: **Jun. 1, 2018**
- (51) **LOC (12) Cl.** **31-00**
- (52) **U.S. Cl.**
USPC **D7/412**
- (58) **Field of Classification Search**
USPC D7/352, 376-386, 409, 412, 673
CPC A21C 11/006; A21C 15/04; A23N 7/08;
A47J 37/0611; B26D 1/14; B26D 1/143;
B26D 1/15; B26D 1/153; B26D 1/157;
B26D 1/18; B26D 1/28; B26D 5/00;
B26D 5/06; B26D 5/08; B26D 5/10;
B26D 5/12; B26D 5/22; B26D 5/26;
B26D 5/38; B26D 5/42; B26D 7/00;
B26D 7/01; B26D 7/08; B26D 7/12;
B26D 7/18; B26D 7/1818; B26D 7/22;
B26D 7/225; B26D 7/24; B26D 7/26;
B26D 7/2614; B26D 7/2621; B26D
7/2628; B26D 7/2635; B26D 7/30; B26D
7/32; B26D 7/325; B27G 13/00; B27G
13/005; B27G 13/10
See application file for complete search history.

- D164,693 S 10/1951 Kooas
- 2,592,657 A 4/1952 Owen
- 2,836,212 A 5/1958 Albert
- 2,916,986 A 12/1959 Morris
- 3,145,743 A 8/1964 Crohneim
- 3,163,192 A 12/1964 Lupoli
- 3,277,574 A 10/1966 Giasi

(Continued)

FOREIGN PATENT DOCUMENTS

- DE 102004002070 8/2005
- DE 102006011386 9/2007

(Continued)

OTHER PUBLICATIONS

- Edlund, Manual Fruit & Vegetable Slicer, 2014.
- (Continued)

Primary Examiner — Ricky Pham
(74) *Attorney, Agent, or Firm* — Andrus Intellectual Property Law, LLP

(57) **CLAIM**

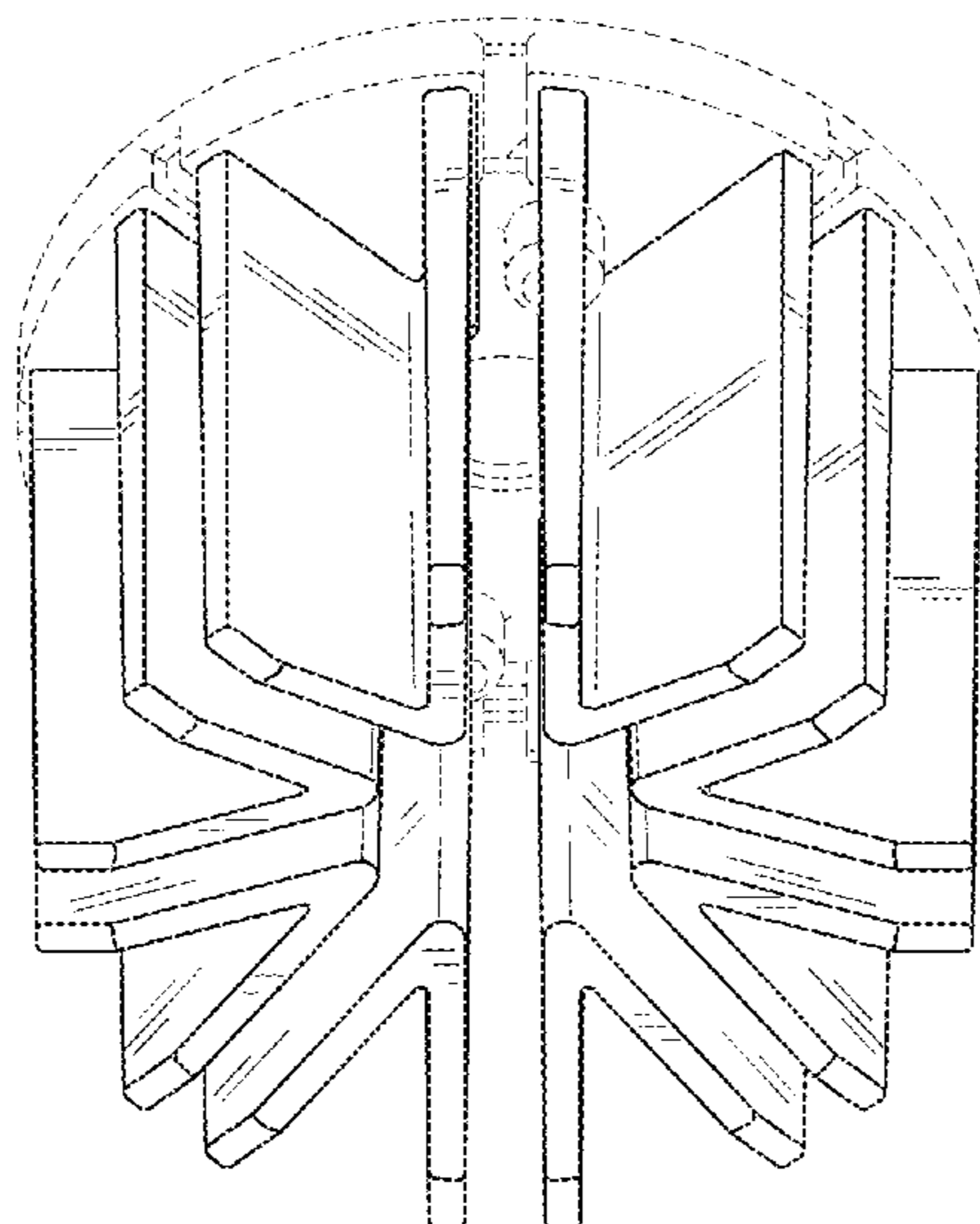
The ornamental design for a wedger pusher, as shown and described.

DESCRIPTION

FIG. 1 is a perspective view an embodiment of a wedger pusher;
FIG. 2 is a top view thereof;
FIG. 3 is a bottom view thereof;
FIG. 4 is a right side view thereof;
FIG. 5 is a left side view thereof;
FIG. 6 is a front view thereof; and,
FIG. 7 is a back view thereof.
The broken lines showing of various portions and other elements in the Figures are for the purpose of illustrating unclaimed portions and form no part of the claimed design.

- (56) **References Cited**
U.S. PATENT DOCUMENTS
2,563,237 A 6/1947 Grocoff
D148,703 S 2/1948 Ingram et al.

1 Claim, 4 Drawing Sheets



(56)

References Cited

U.S. PATENT DOCUMENTS

D207,378 S 4/1967 Levin
 3,369,582 A 2/1968 Giangiulio
 3,463,211 A 8/1969 Holz
 3,605,839 A 9/1971 Gerson
 4,059,037 A 11/1977 Gerson
 4,062,260 A 12/1977 Steinhogl
 4,254,678 A 3/1981 Novy et al.
 4,302,997 A 12/1981 Jones et al.
 D264,542 S 5/1982 Doyel
 4,383,365 A 5/1983 Metzgian
 4,436,011 A 3/1984 Jones
 4,453,458 A 6/1984 Altman
 4,567,801 A 2/1986 Jones
 4,573,384 A 3/1986 Jones
 4,579,028 A 4/1986 Neidhardt
 4,599,928 A 7/1986 Oker
 D293,194 S 12/1987 Kreth
 D297,798 S 9/1988 Leung
 4,870,719 A 10/1989 Harris
 5,245,902 A 9/1993 Pereira
 5,253,565 A * 10/1993 Burton A47J 37/0611
 219/524
 5,343,623 A 9/1994 Cole et al.
 5,419,245 A 5/1995 Short
 5,613,903 A 3/1997 Fujitaki et al.
 5,692,424 A 12/1997 Wallace
 5,749,145 A 5/1998 Bauklah
 D400,065 S 10/1998 Fohrman
 D406,990 S 3/1999 Ocampo
 5,950,515 A 9/1999 Wetzel
 5,971,847 A 10/1999 Webb
 D421,369 S 3/2000 Samarasinghe
 6,033,304 A 3/2000 Haynes
 6,041,682 A 3/2000 Jensen et al.
 D436,504 S 1/2001 Demers
 D464,851 S 10/2002 Dorion
 D475,584 S 6/2003 Bachman et al.
 D505,302 S 5/2005 Veltrop et al.
 D510,507 S 10/2005 Lo
 D531,465 S 11/2006 Tellier
 D568,117 S 5/2008 Hauser
 D573,418 S 7/2008 Ho
 7,658,010 B2 * 2/2010 So A21C 15/04
 30/114
 D648,989 S * 11/2011 Coursey D7/673
 D649,413 S * 11/2011 Coursey D7/673
 D650,247 S * 12/2011 Harris D7/673

8,286,355 B2 10/2012 Aby-Eva et al.
 D677,528 S * 3/2013 Kwon D7/352
 D679,944 S * 4/2013 Meyer D7/352
 8,438,737 B2 5/2013 Lo et al.
 8,495,941 B2 7/2013 Farid et al.
 D690,170 S * 9/2013 Harris D7/673
 D744,299 S 12/2015 Lipscomb et al.
 D773,893 S * 12/2016 Fastabend D7/412
 D781,649 S * 3/2017 Fastabend D7/412
 D805,834 S * 12/2017 Vela de Pleitez D7/352
 9,913,481 B2 * 3/2018 McCarney A21C 11/006
 2003/0079616 A1 * 5/2003 Barnard A23N 7/08
 99/537
 2005/0199115 A1 9/2005 Veltrop et al.
 2006/0185488 A1 8/2006 Short et al.
 2006/0225547 A1 10/2006 Stanojevic et al.
 2009/0249935 A1 10/2009 Kaposi
 2010/0313724 A1 12/2010 Farid et al.
 2011/0283549 A1 11/2011 Moss et al.
 2014/0208917 A1 7/2014 Whitney

FOREIGN PATENT DOCUMENTS

EP 1570961 9/2005
 EP 1759819 3/2007
 GB 132809 12/1920
 GB 398939 9/1933
 GB 1144724 3/1969
 GB 2312613 11/1997

OTHER PUBLICATIONS

Nemco, Operating and Maintenance Instruction for Lettuce Kutter, 2012.
 Nemco, Easy Cartride Onion Slicer, 2008.
 Prince Castle LLC, Dice Witch, 2009.
 Prince Castle LLC, Lettuce Kutlett, 2009.
 Prince Castle LLC, Tomato Saber Operating Instructions, 1999.
 Vollrath, Onion King Operator's Manual, 2014.
 Prince Castle Inc. Citrus Wedger Model No. CW Series Operating Instructions, 2007.
 Edland, New! Titan Series Max-Cut 2014.
 Nemco, Easy Wedger and Easy Apple Corer Operating and Maintenance Instructions, 2009.
 Vollrath, Wedgemaster Operator's Manual, 2014.
 Nemco, Easy Wedger and Easy Apple Corer, 2012.

* cited by examiner

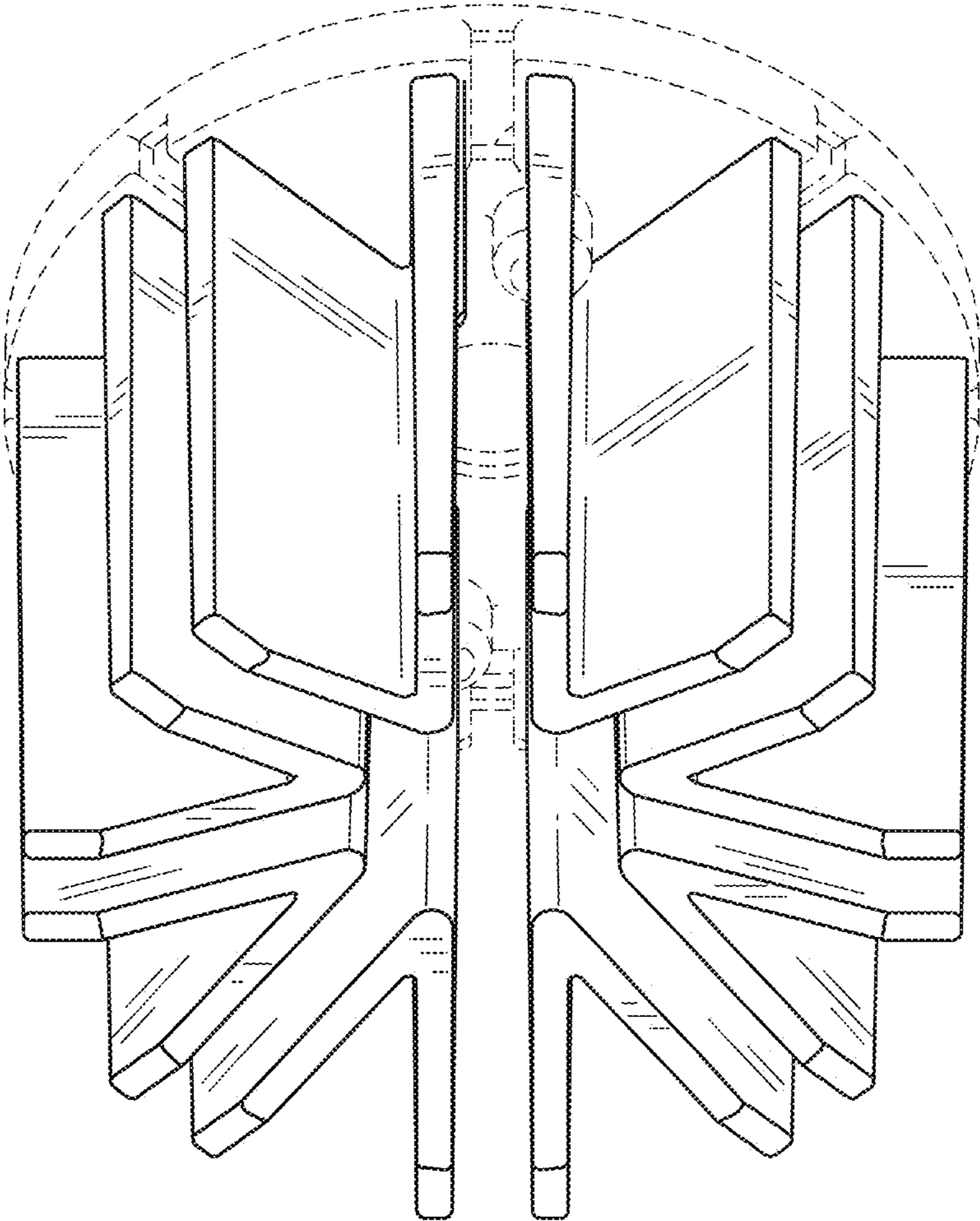


FIG. 1

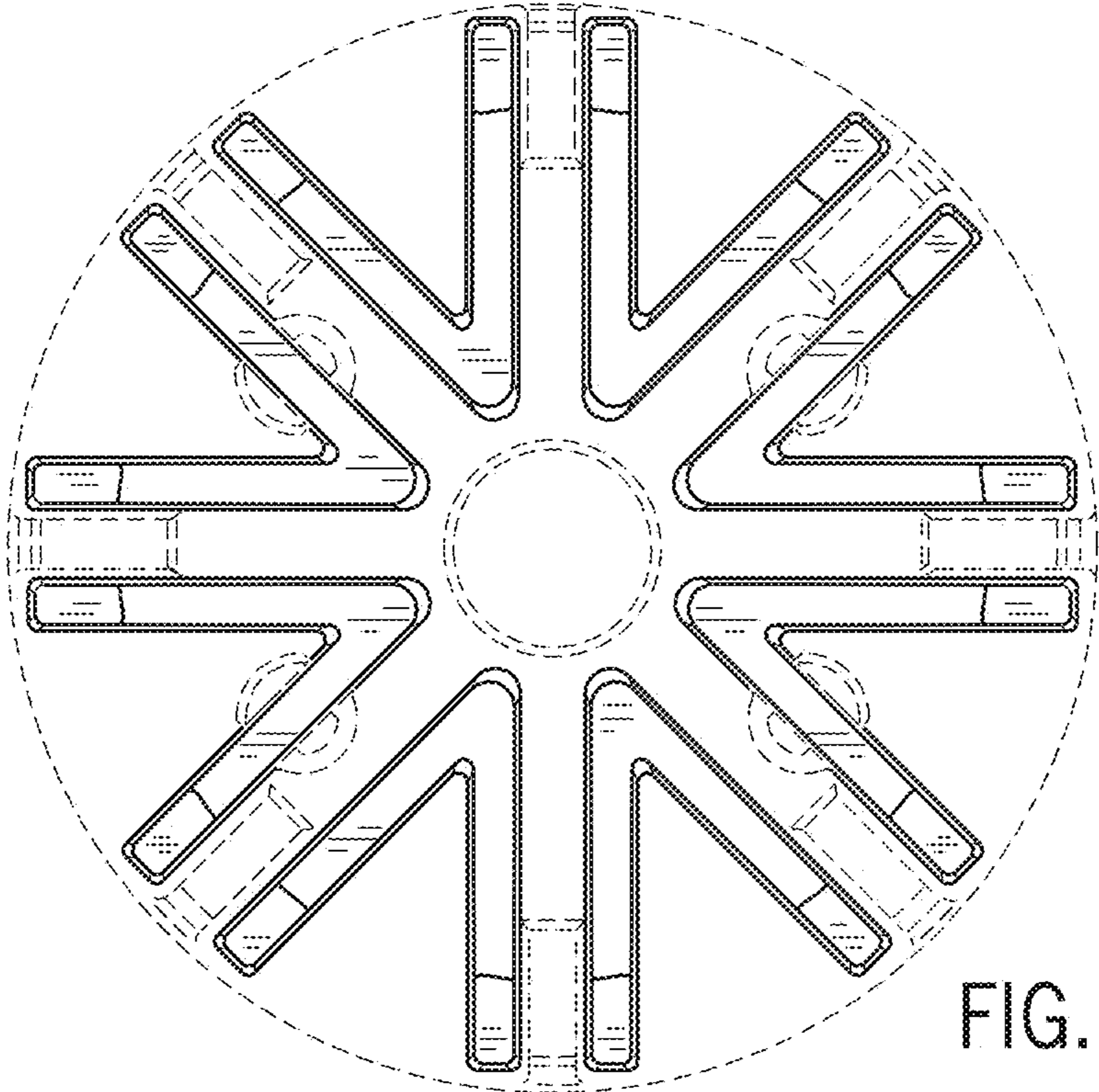


FIG. 2

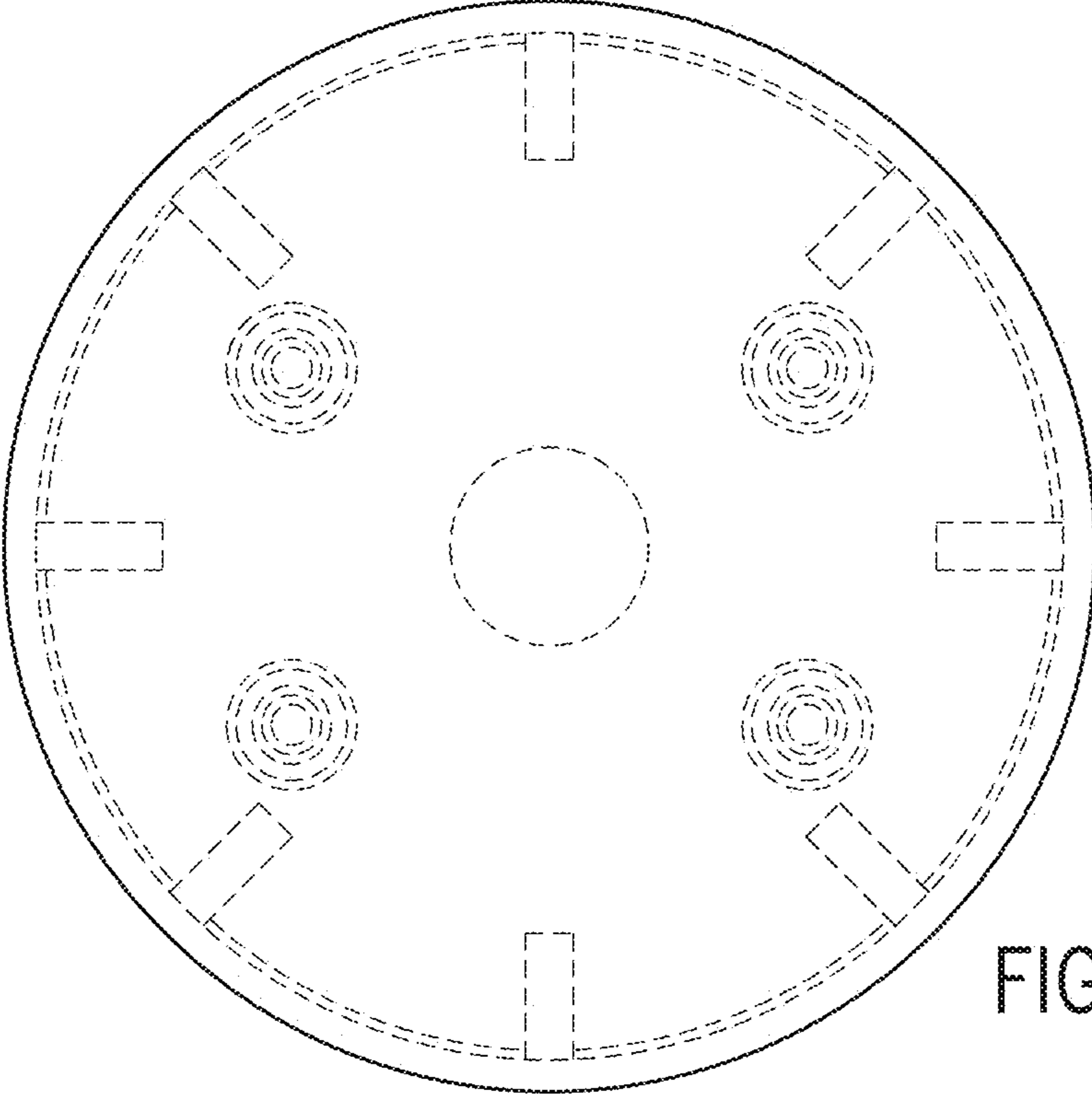


FIG. 3

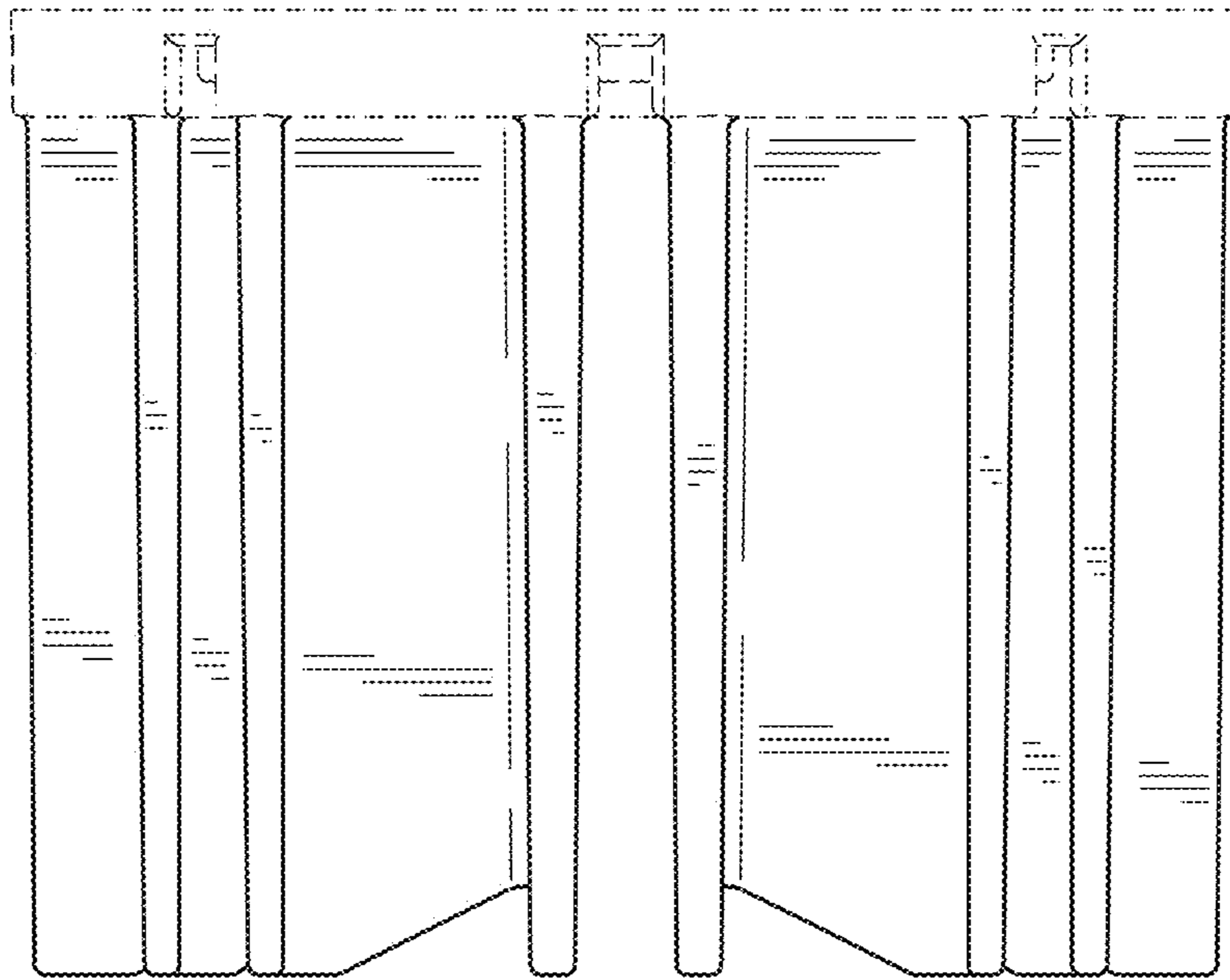


FIG. 4

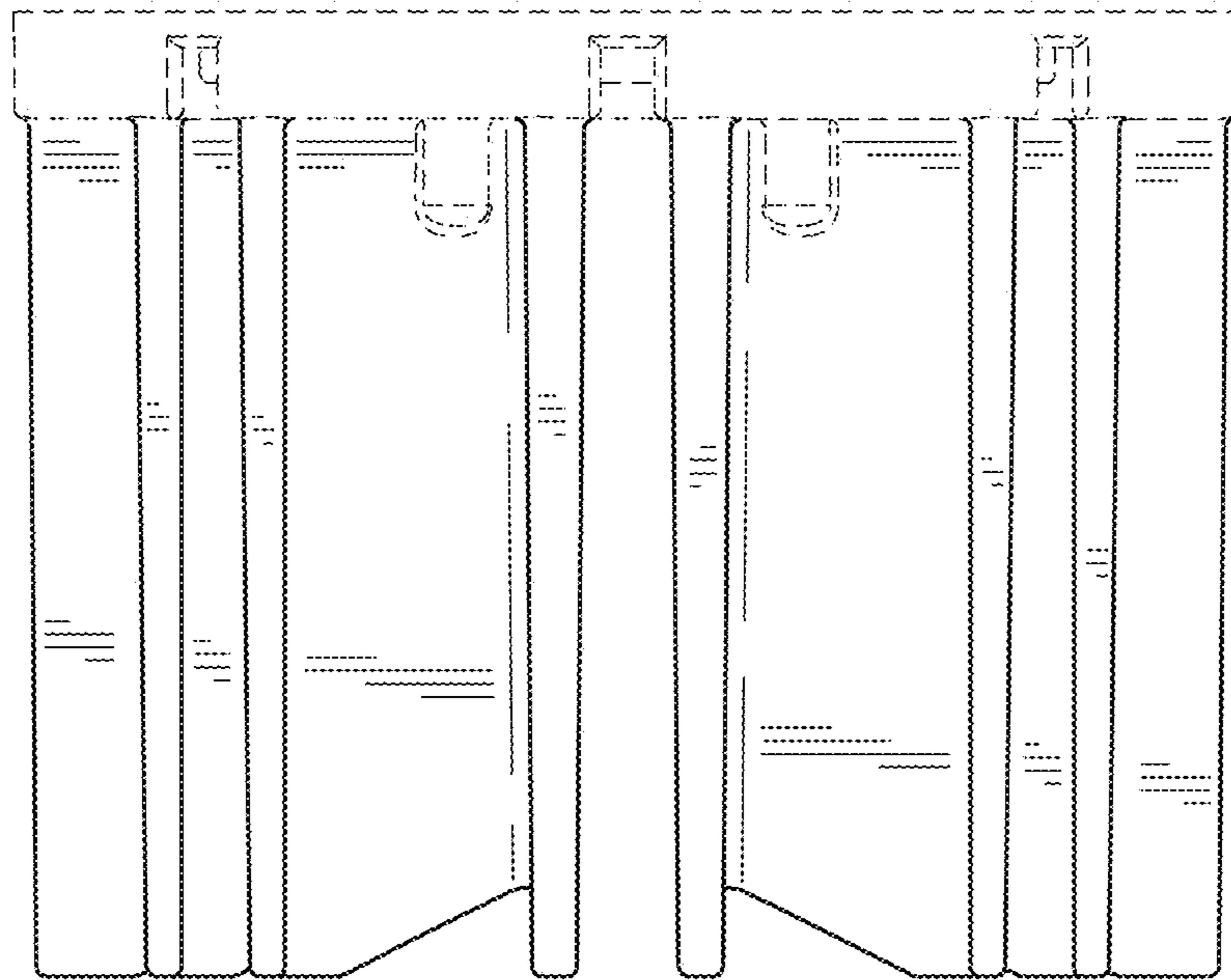


FIG. 5

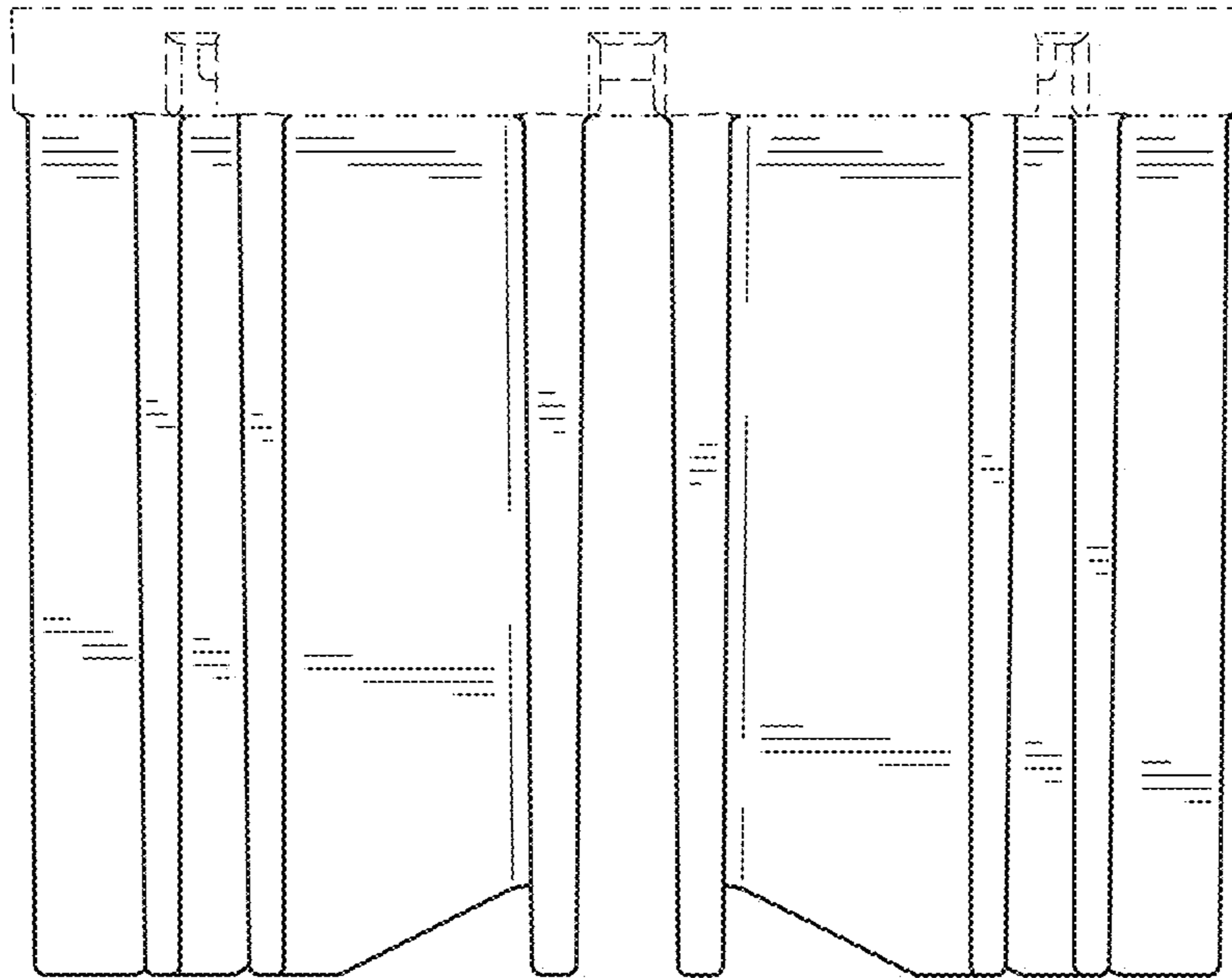


FIG. 6

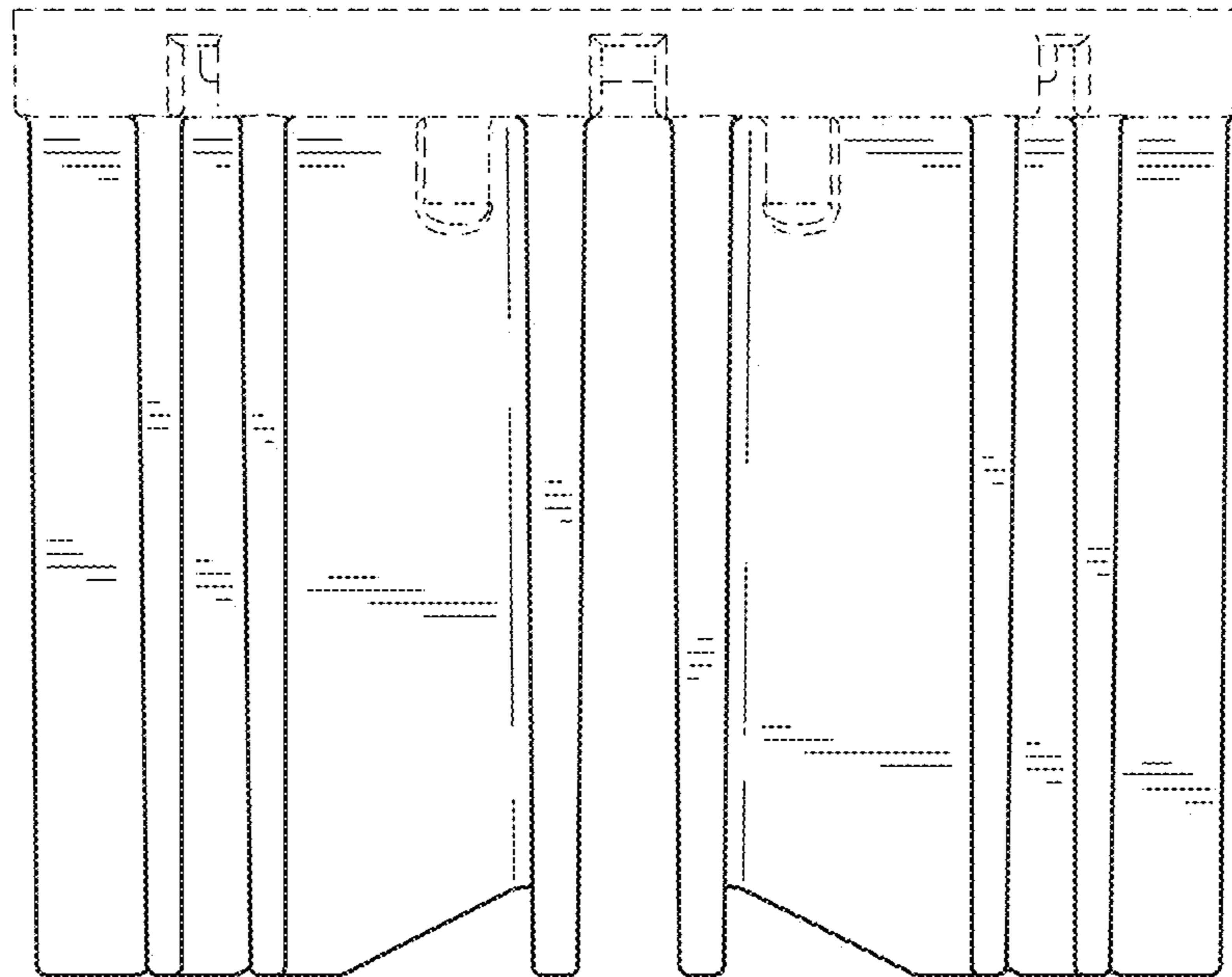


FIG. 7