



US00D891179S

(12) **United States Design Patent**
Parrish

(10) **Patent No.:** **US D891,179 S**
(45) **Date of Patent:** **** Jul. 28, 2020**

(54) **COOKING GRID SUPPORT RING FOR KAMADO-STYLE GRILL**

(71) Applicant: **Adrenaline Barbecue Company, LLC**,
Concord, NC (US)

(72) Inventor: **David Parrish**, Concord, NC (US)

(73) Assignee: **Adrenaline Barbecue Company, LLC**,
Concord, NC (US)

(**) Term: **15 Years**

(21) Appl. No.: **29/683,301**

(22) Filed: **Mar. 12, 2019**

(51) **LOC (12) Cl.** **07-02**

(52) **U.S. Cl.**
USPC **D7/409**

(58) **Field of Classification Search**
USPC D7/323, 332, 335-337, 354-355,
D7/359-364, 387-388, 402, 407-409
CPC A21B 2/00; A21B 3/00; A21B 3/13; A21B
3/15; A21B 5/00; A21B 5/02; A23N
12/06; A23N 12/08; A23N 12/10; A47J
27/04; A47J 27/12; A47J 27/13; A47J
36/36; A47J 37/00; A47J 37/04; A47J
37/041; A47J 37/042; A47J 37/06; A47J
37/0688; A47J 37/0694; A47J 37/07;
A47J 37/0704; A47J 37/10; A47J 47/16;
A47J 47/20; A47J 2037/00; A47J
2037/06; A47J 2037/0611; A47J 2037/07;
A47J 2037/0786; A47J 2037/0795; B01F
13/002; F24C 3/085; F24C 15/10; F24C
15/12; F24C 15/14; F24C 15/16; F24C
15/164; F24C 15/18

See application file for complete search history.

(56) **References Cited**

U.S. PATENT DOCUMENTS

D31,043 S * 6/1899 Smith D7/409
730,268 A * 6/1903 Keller F24C 3/085
126/39 H

862,719 A * 8/1907 Davis F24C 15/10
126/215
915,310 A * 3/1909 Rickman B01F 13/002
366/282
D192,227 S * 2/1962 Theisen D7/388
D282,706 S * 2/1986 DiFede D7/407
D339,959 S * 10/1993 Eckman D7/407
5,552,577 A * 9/1996 Su A47J 27/04
219/401
6,196,115 B1 * 3/2001 Tsao A47J 27/13
126/20
6,718,966 B1 * 4/2004 Barbour A47J 27/12
126/25 R
7,219,663 B2 * 5/2007 Cuomo A47J 36/36
126/25 R
D679,943 S * 4/2013 Zhou D7/402
D822,435 S * 7/2018 George D7/409

* cited by examiner

Primary Examiner — Ricky Pham

(74) *Attorney, Agent, or Firm* — Schwartz Law Firm, P.C.

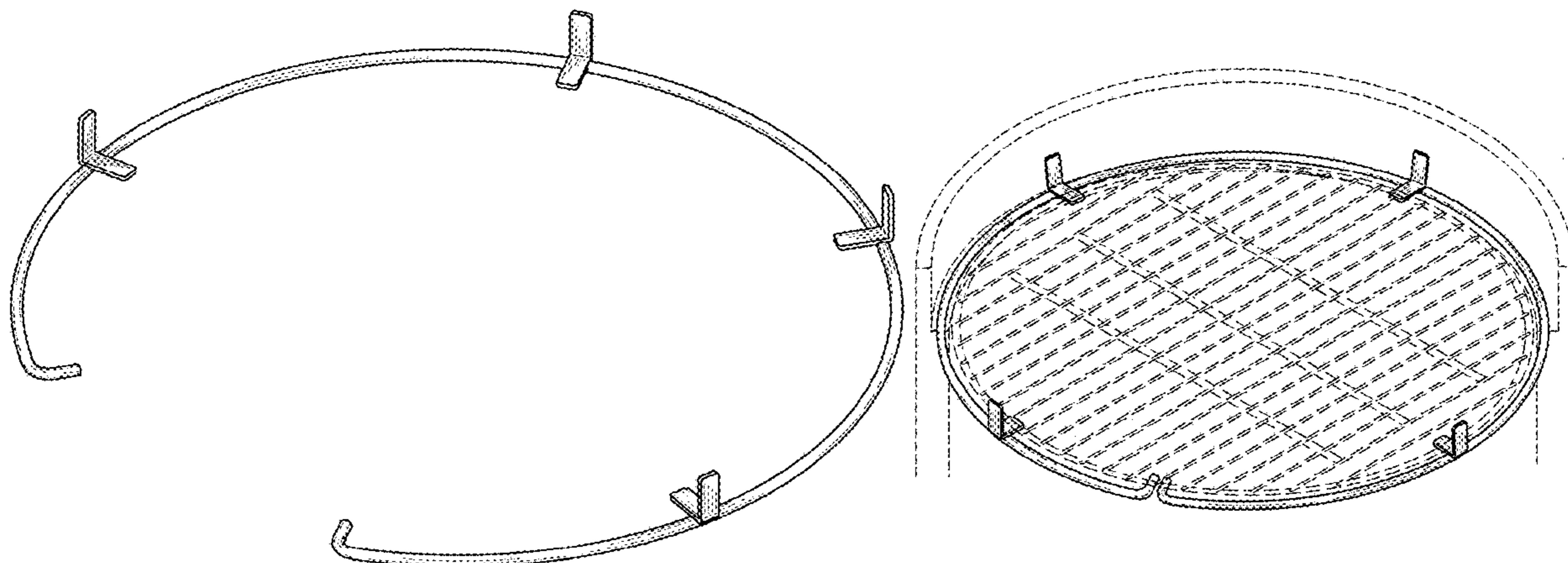
(57) **CLAIM**

I claim the ornamental design for a cooking grid support ring for kamado-style grill, as shown and described.

DESCRIPTION

FIG. 1 is a top perspective view of the cooking grid support ring;
FIG. 2 is a bottom perspective view of the cooking grid support ring;
FIG. 3 is a top view of the cooking grid support ring;
FIG. 4 is a bottom view of the cooking grid support ring;
FIGS. 5-8 are respective side views of the cooking grid support ring; and,
FIG. 9 is an environmental perspective view of the cooking grid support ring, the broken lines representing a cooking grid and fragmentary portion of a kamado-style grill forming no part of the claimed design.

1 Claim, 6 Drawing Sheets



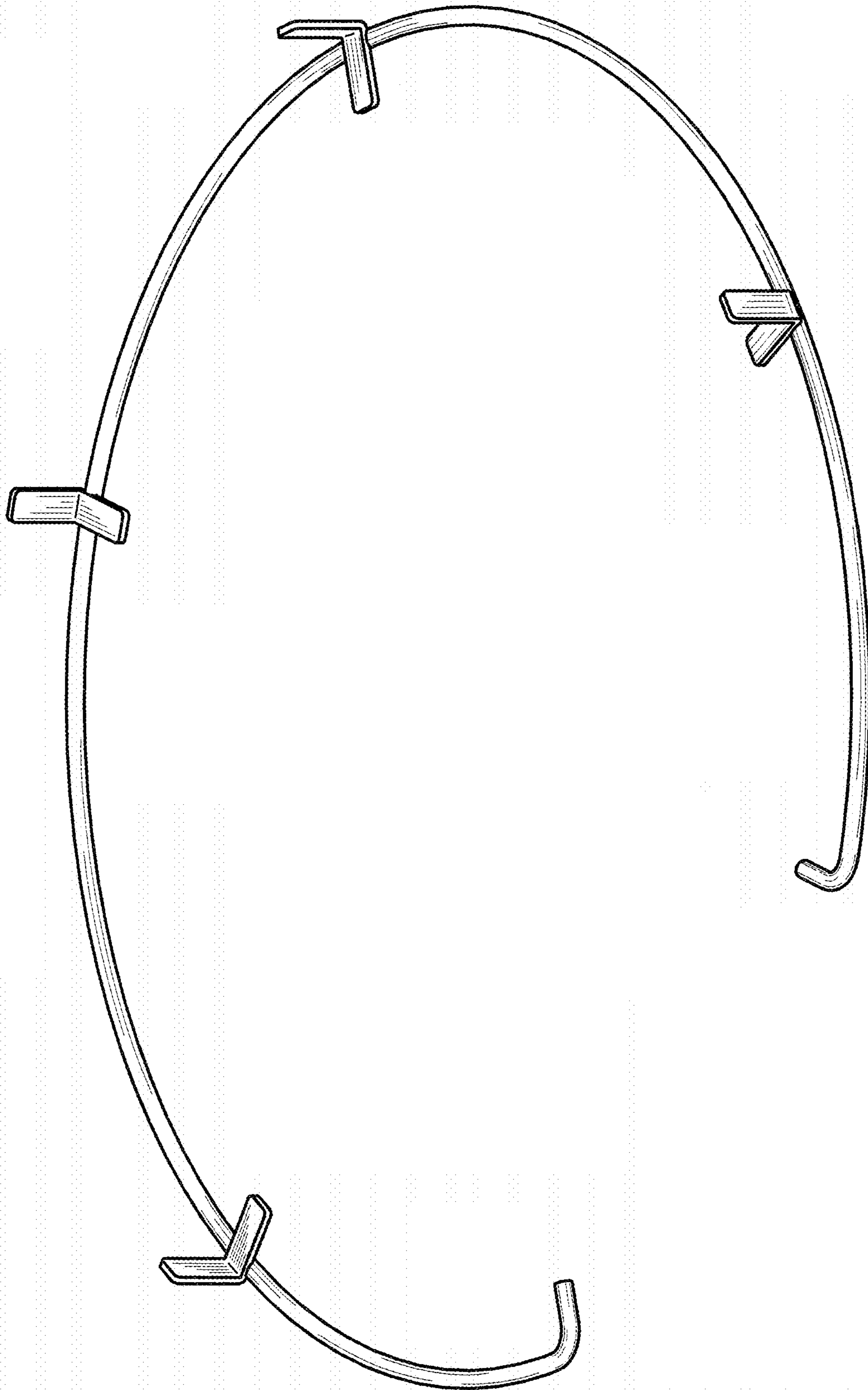


FIG. 1

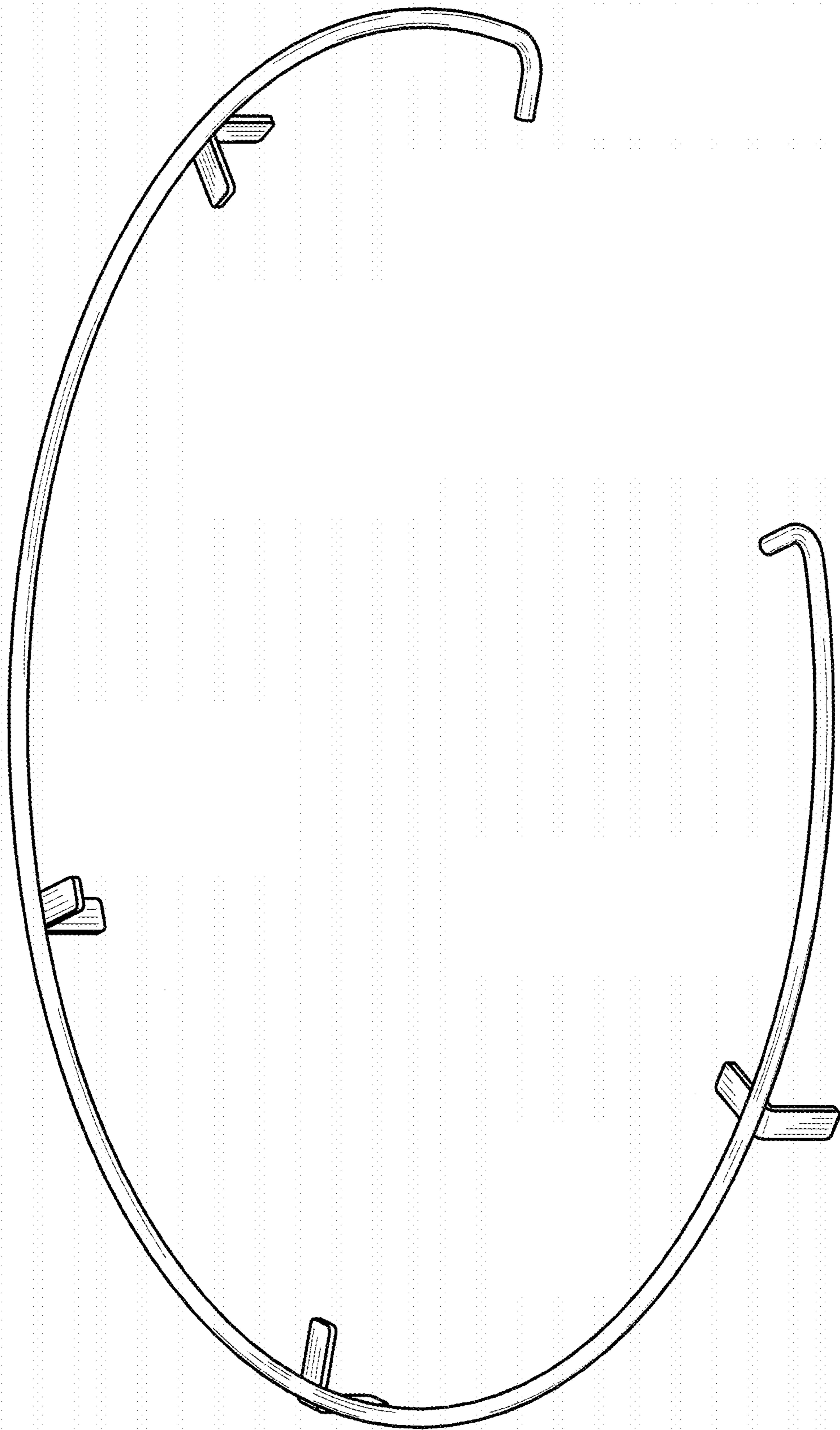


FIG. 2

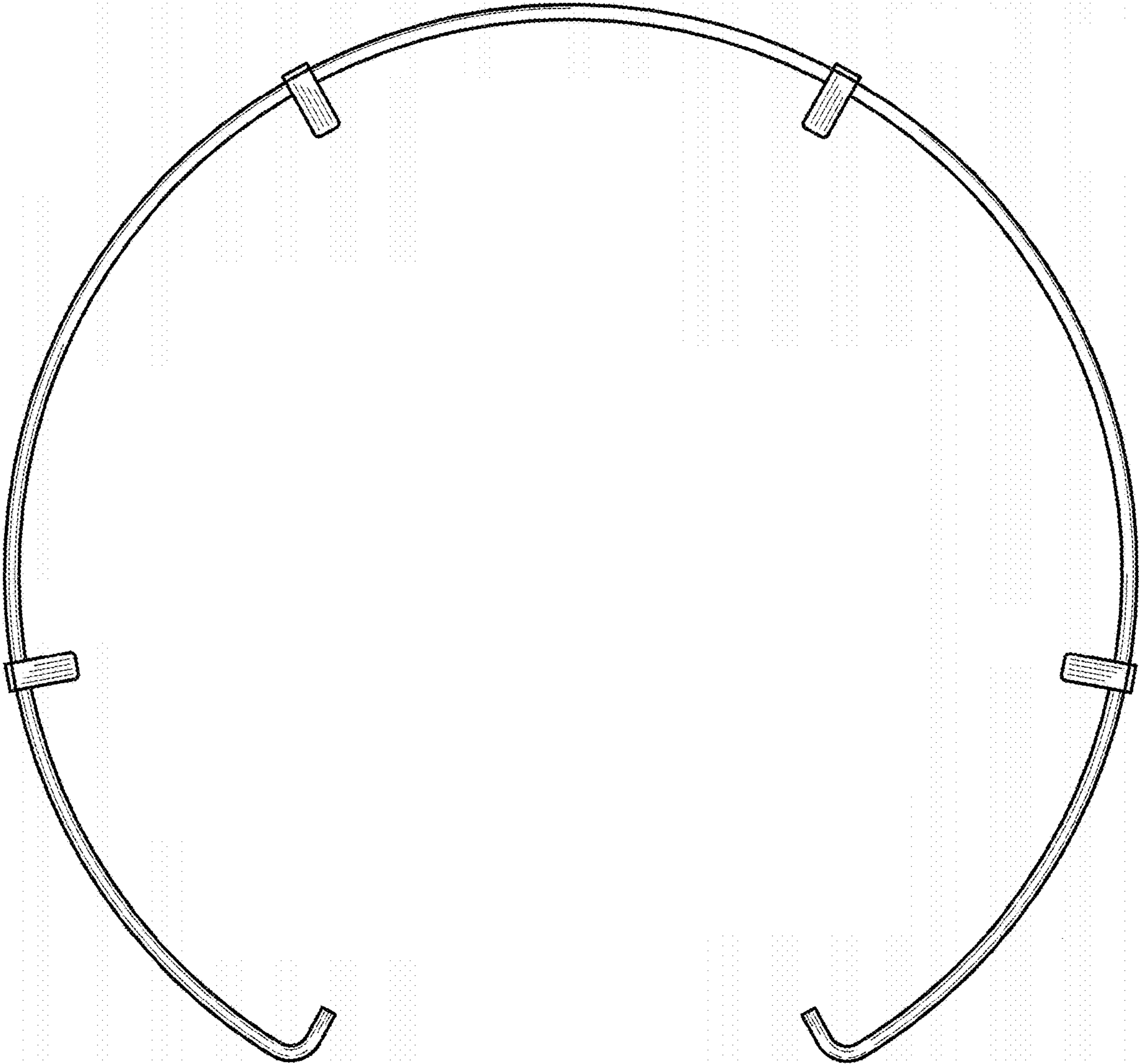


FIG. 3

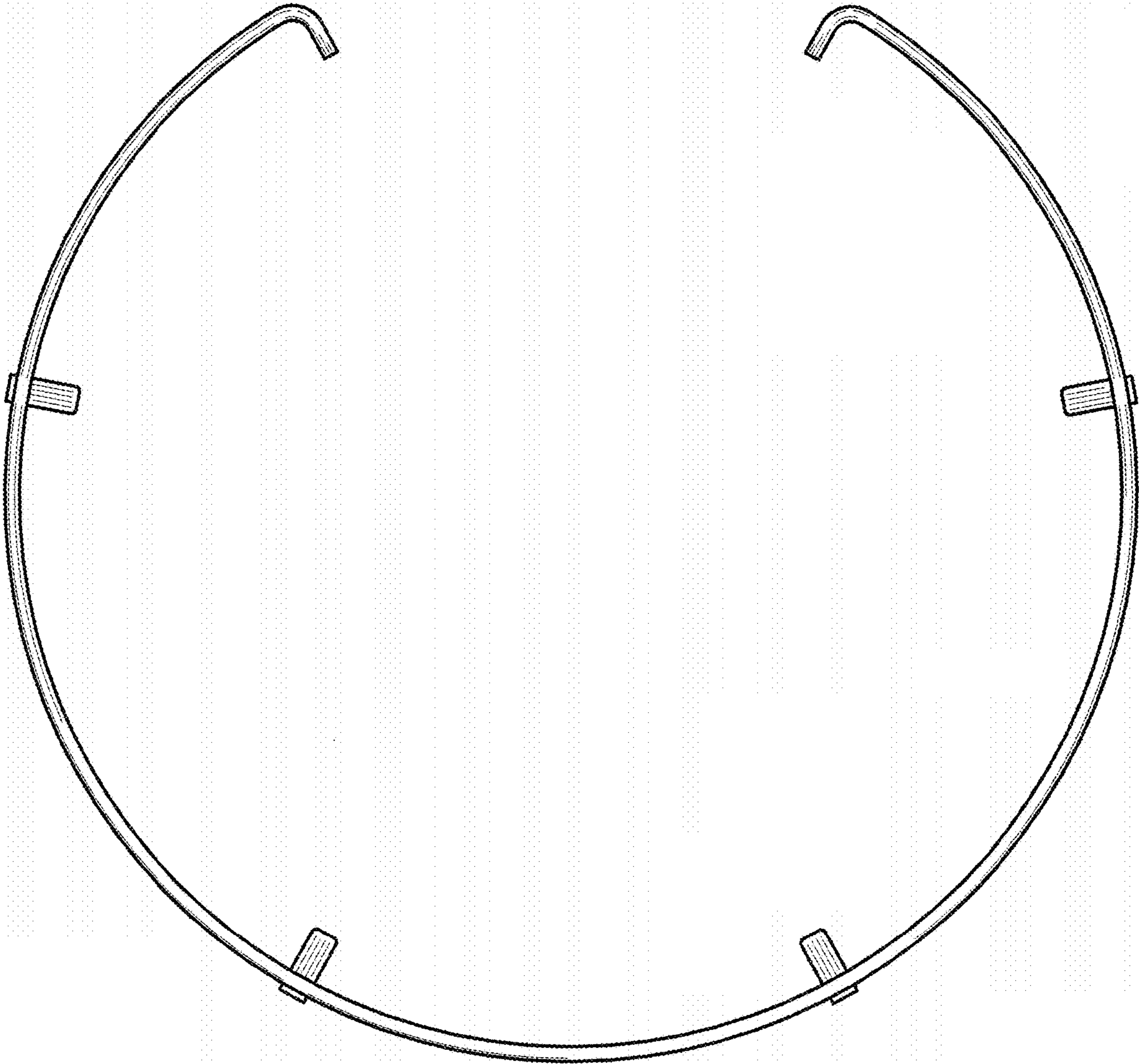


FIG. 4

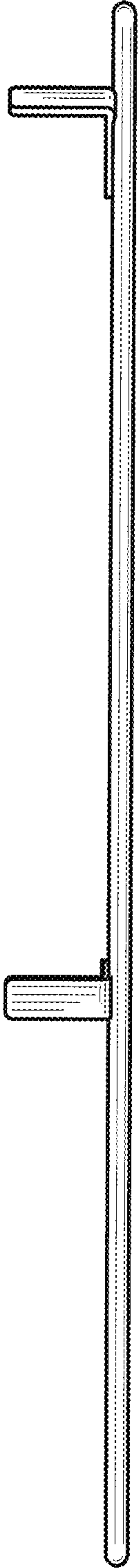


FIG. 5

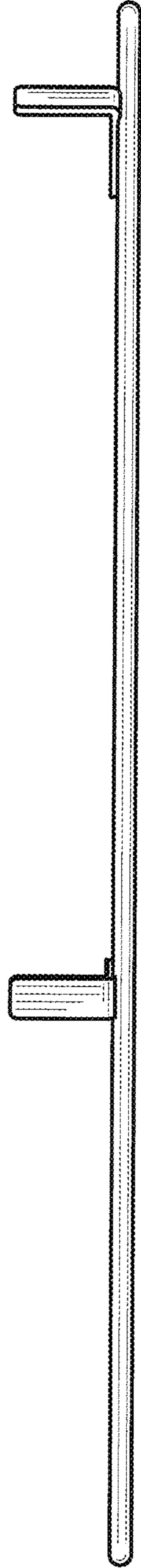


FIG. 6

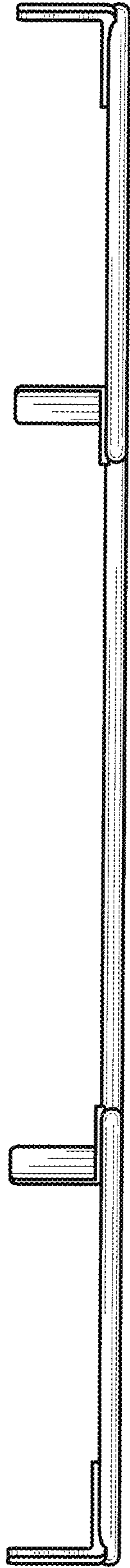


FIG. 7

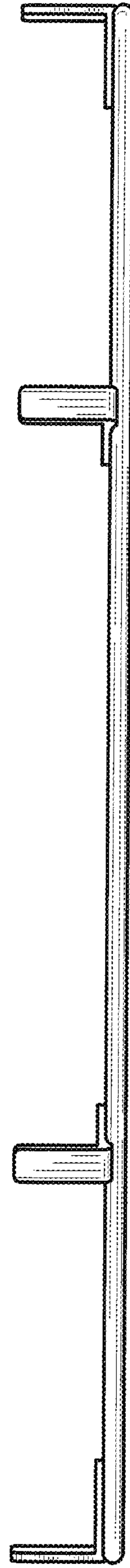


FIG. 8

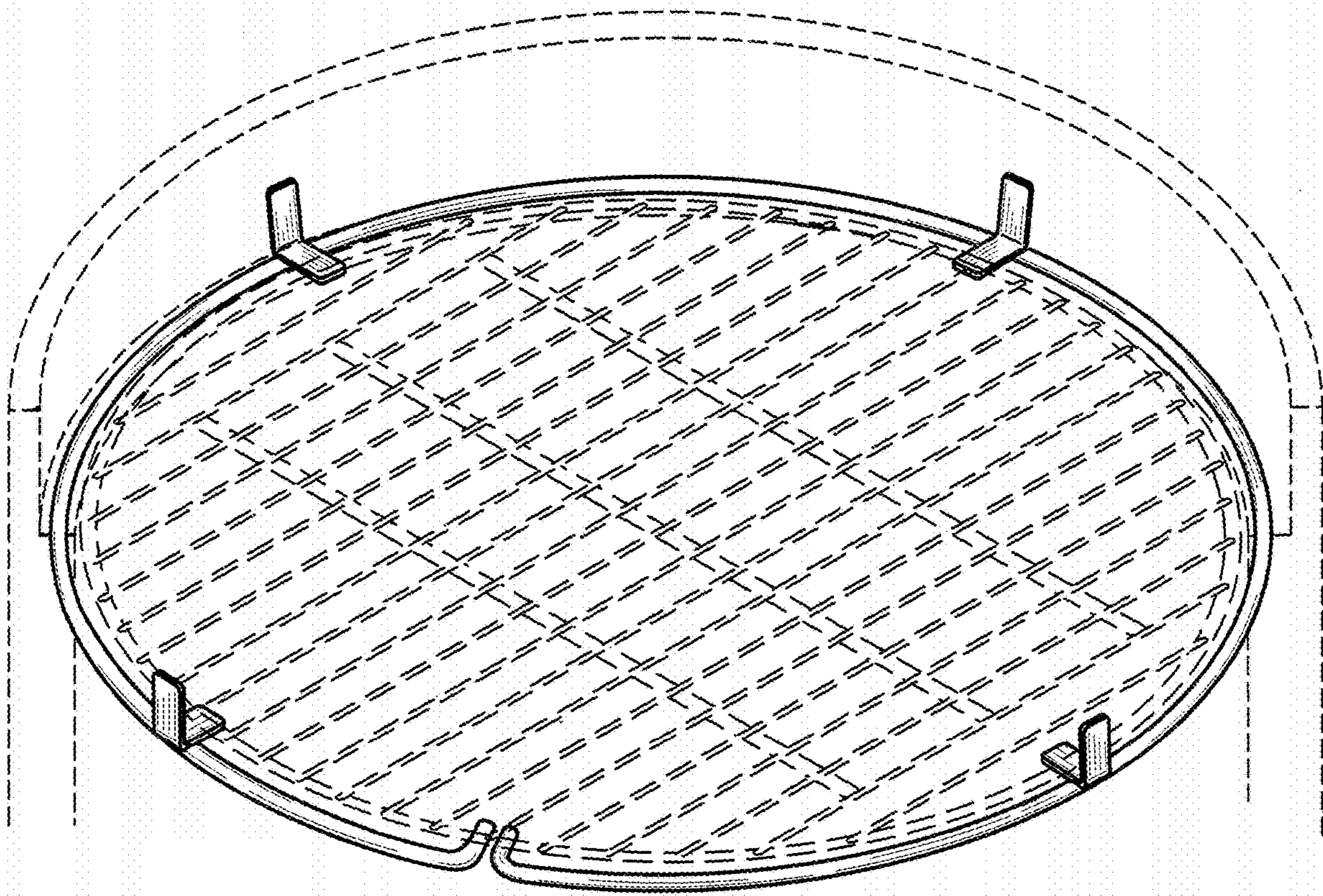


FIG. 9