



US00D891178S

(12) **United States Design Patent** (10) **Patent No.:** **US D891,178 S**
Lu (45) **Date of Patent:** **** Jul. 28, 2020**

(54) **BASKET**

(71) Applicant: **Jiajie Lu**, Zhejiang (CN)

(72) Inventor: **Jiajie Lu**, Zhejiang (CN)

(**) Term: **15 Years**

(21) Appl. No.: **29/653,599**

(22) Filed: **Jun. 15, 2018**

(51) **LOC (12) Cl.** **09-04**

(52) **U.S. Cl.**
USPC **D7/409**; D7/354; D7/361; D7/667;
D3/307

(58) **Field of Classification Search**

USPC D3/201, 215–218, 226, 232–233,
D3/239–246, 247, 249–253, 254, 260,
D3/269, 271.12, 272–302, 307, 315,
D3/318–319, 321–324, 326–328, 905,
D3/304–306, 308–314; D7/354, 356,
D7/409, 505, 629, 667, 361
CPC .. A45C 1/00; A45C 1/02; A45C 1/024; A45C
1/04; A45C 1/06; A45C 2001/022; A45C
2001/067; A45C 2001/083; A45C
2001/086; A45C 2001/101; A45C
2001/102; A45C 3/00; A45C 3/001; A45C
3/04; A45C 3/045; A45C 3/06; A45C
3/10; A45C 5/00; A45C 5/03; A45C 5/04;
A45C 5/06; A45C 5/08; A45C 5/14;
A45C 5/141; A45C 5/146; A45C
2005/032; A45C 2005/035; A45C
2005/037; A45C 2005/142; A45C
2005/147; A45C 2005/148; A45C 7/00;
A45C 7/0018; A45C 7/005; A45C
7/0045; A45C 7/0054; A45C 7/0059;
A45C 7/0095; A45C 2011/001; A45C
2011/002; A45C 2011/003; A45C 11/20;
A45C 13/02; A45C 13/03; A45C
2013/025; A45C 2013/026; B65D 1/38;
A47J 43/00; A47J 43/22; A47J 43/24;
A47J 36/08; A47J 19/00; A47J 19/04

See application file for complete search history.

(56) **References Cited**

U.S. PATENT DOCUMENTS

D38,605 S * 6/1907 Straker, Jr. D3/314
981,205 A * 1/1911 Loetzer B65D 7/14
220/493
2,060,468 A * 11/1936 Mitchell B65D 7/16
220/676
D105,670 S * 8/1937 Nelson D7/667
D138,227 S * 7/1944 Kouvallis D7/667
D170,676 S * 10/1953 Bourne-Vanneck D7/667
D261,343 S * 10/1981 Gibiec D32/53

(Continued)

OTHER PUBLICATIONS

RSVP Endurance Precision Pierced Stainless Steel Berry Colander, available Mar. 8, 2013, amazon.com [online]. Retrieved Jun. 8, 2020 from internet. (Year: 2013).*

Primary Examiner — Cathron C Brooks

Assistant Examiner — Andrew T Nemeth

(74) *Attorney, Agent, or Firm* — KA Filing LLC; Wayne V. Harper; Cynthia Flanigan

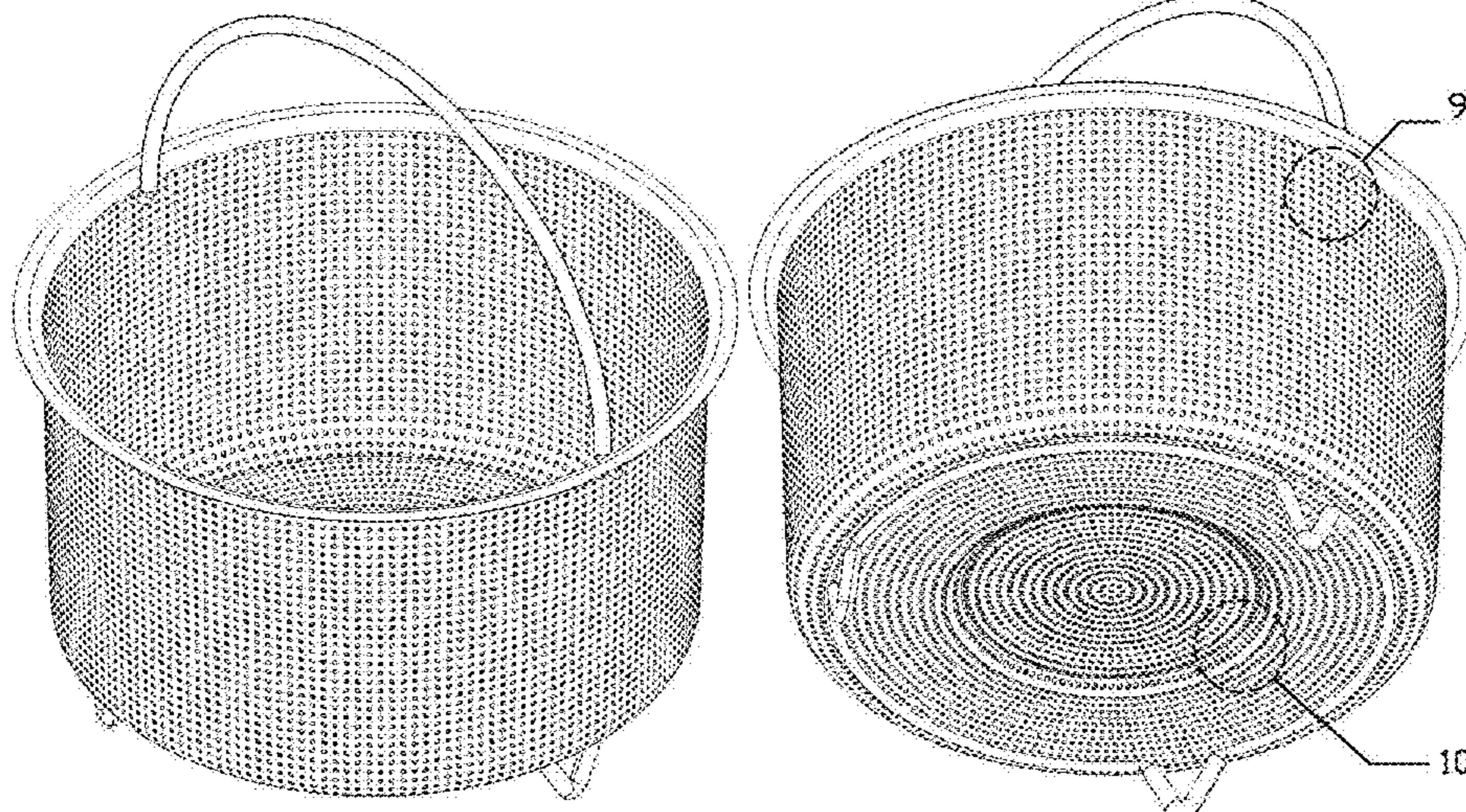
(57) **CLAIM**

The ornamental design for a basket, as shown and described.

DESCRIPTION

FIG. 1 is a front elevational view of a basket showing my new design;
FIG. 2 is a rear elevational view thereof;
FIG. 3 is a left side view thereof;
FIG. 4 is a right side view thereof;
FIG. 5 is a top plan view thereof;
FIG. 6 is a bottom plan view thereof;
FIG. 7 is a top perspective view thereof;
FIG. 8 is a bottom perspective view thereof;
FIG. 9 is an enlarged view of portion 9 in FIG. 8; and,
FIG. 10 is an enlarged view of portion 10 in FIG. 8.

1 Claim, 10 Drawing Sheets



(56)

References Cited

U.S. PATENT DOCUMENTS

D296,643 S *	7/1988	Mueller	D7/361	D653,074 S *	1/2012	Difante	D7/354
D298,403 S *	11/1988	Hagberg	D3/306	D658,424 S *	5/2012	Difante	D7/354
D305,473 S *	1/1990	Yoshikawa	D3/309	D669,309 S *	10/2012	de Klein	D7/399
5,054,209 A *	10/1991	Koff	A47J 43/24	D674,654 S *	1/2013	Sickels	D7/361
				210/360.1	D718,532 S *	12/2014	Wang	D3/304
D330,992 S *	11/1992	Kleek	D7/399	D741,647 S *	10/2015	Boczkowski	D7/399
D333,755 S *	3/1993	Oleksiuk	D7/400	D765,977 S *	9/2016	Adkinson	D3/307
D337,413 S *	7/1993	Kraner	D3/312	D819,914 S *	6/2018	Mendoza	D34/1
D378,724 S *	4/1997	Young	D7/360	D831,408 S *	10/2018	Tsai	D7/361
D409,053 S *	5/1999	Wong	D7/667	D833,748 S *	11/2018	Ryan	D3/306
6,539,841 B1 *	4/2003	Spasovski	A47J 27/004	D850,200 S *	6/2019	Jiang	D7/409
				426/115	D865,445 S *	11/2019	Lin	D7/409
D503,592 S *	4/2005	de Groot	D7/667	D869,903 S *	12/2019	Zhong	D7/409
D526,754 S *	8/2006	Hardy	D3/306	D884,422 S *	5/2020	Zhong	D7/409
7,213,535 B2 *	5/2007	Schmidt	A01K 1/0114	2004/0007258 A1 *	1/2004	Lasker	A47J 43/24
				119/161					134/155
D642,742 S *	8/2011	Hawkins Ervin	D28/75	2013/0074702 A1 *	3/2013	Difante	A47J 27/10
D649,220 S *	11/2011	Vreeland	D23/209					99/403
D653,073 S *	1/2012	Difante	D7/354	2014/0013959 A1 *	1/2014	Fujii	A47J 31/0636
									99/323
					2018/0042428 A1 *	2/2018	Diver	A47J 45/062
					2018/0077962 A1 *	3/2018	Elvin-Jensen	F26B 25/18

* cited by examiner

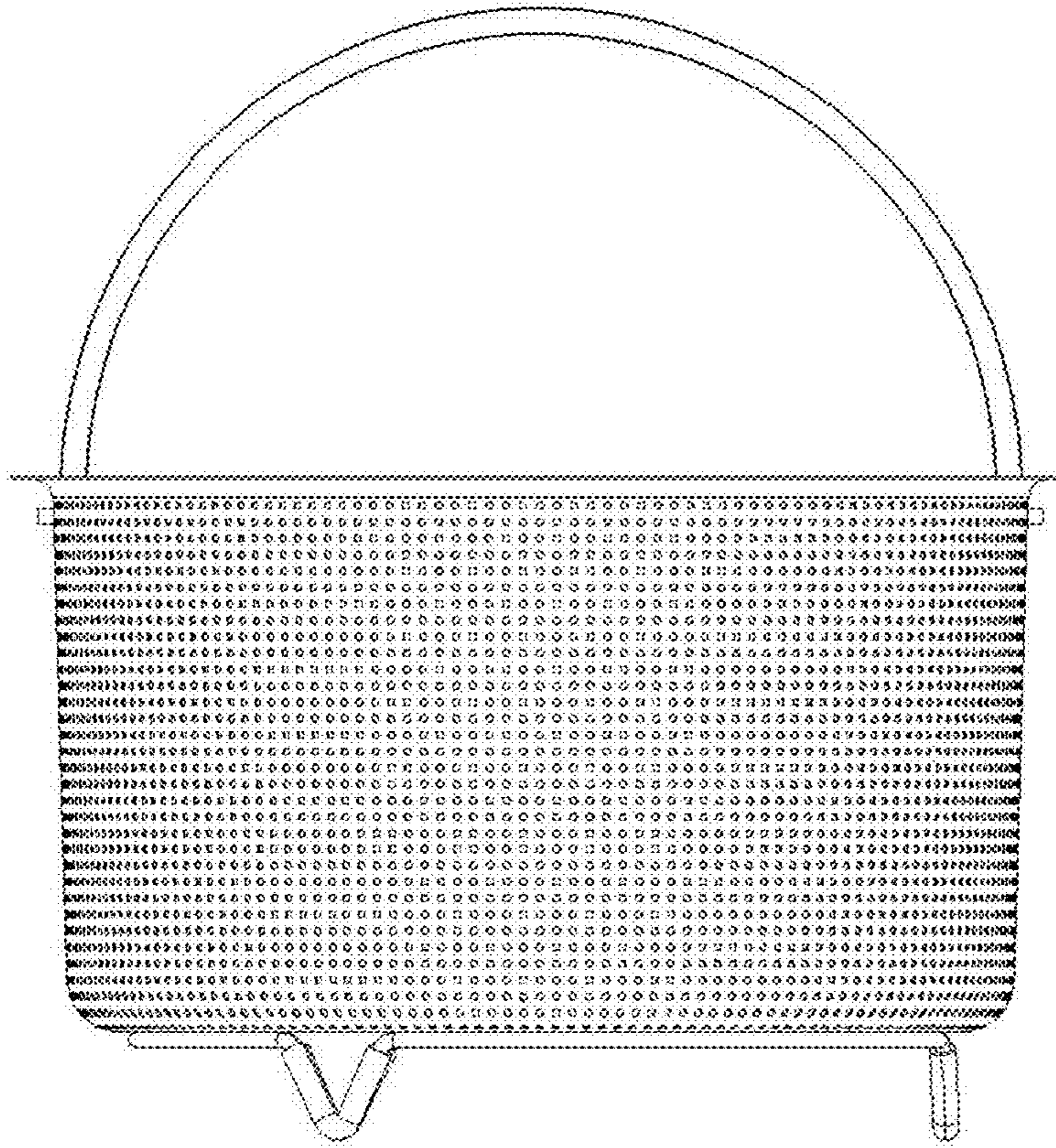


FIG.1

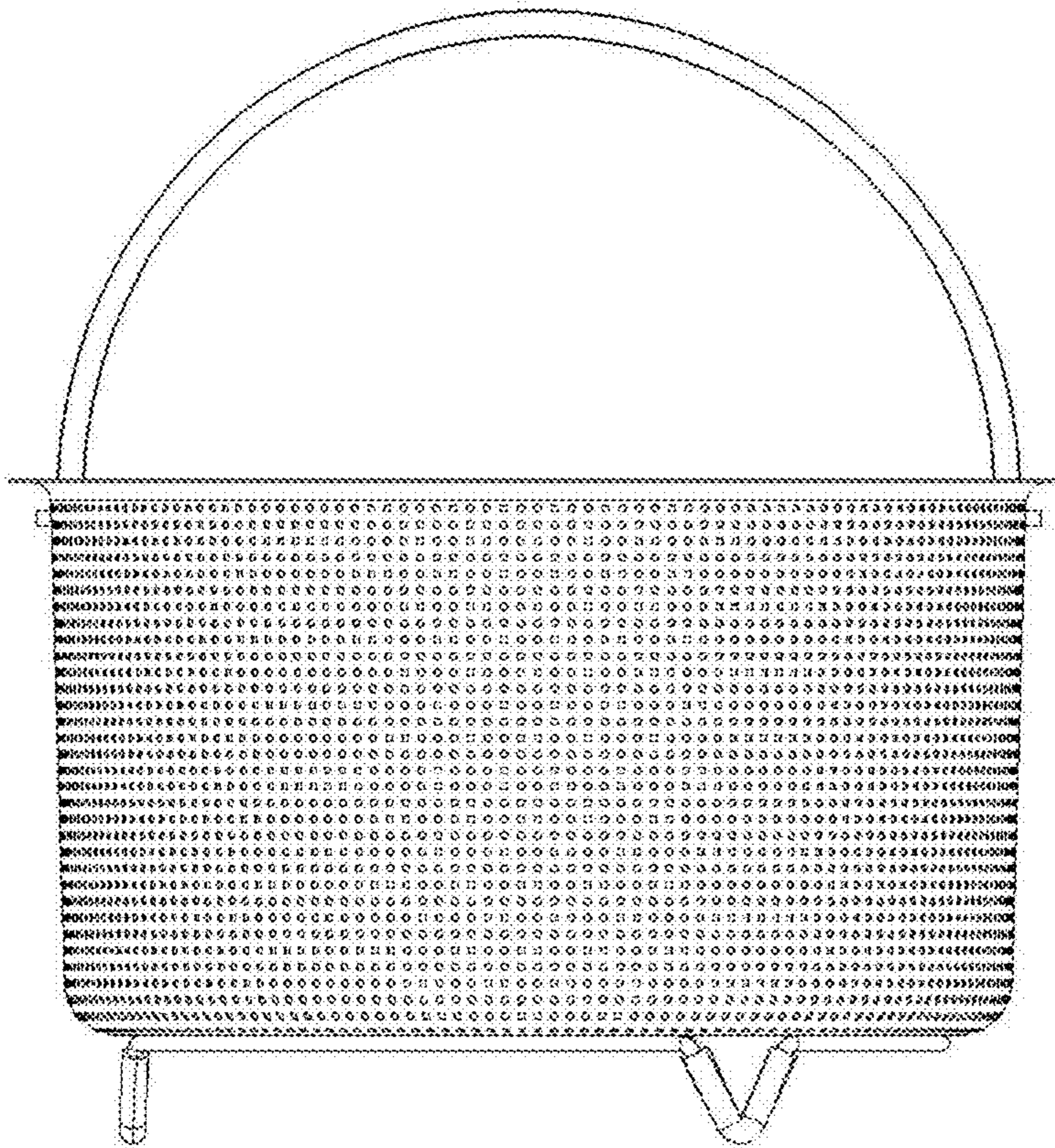


FIG.2

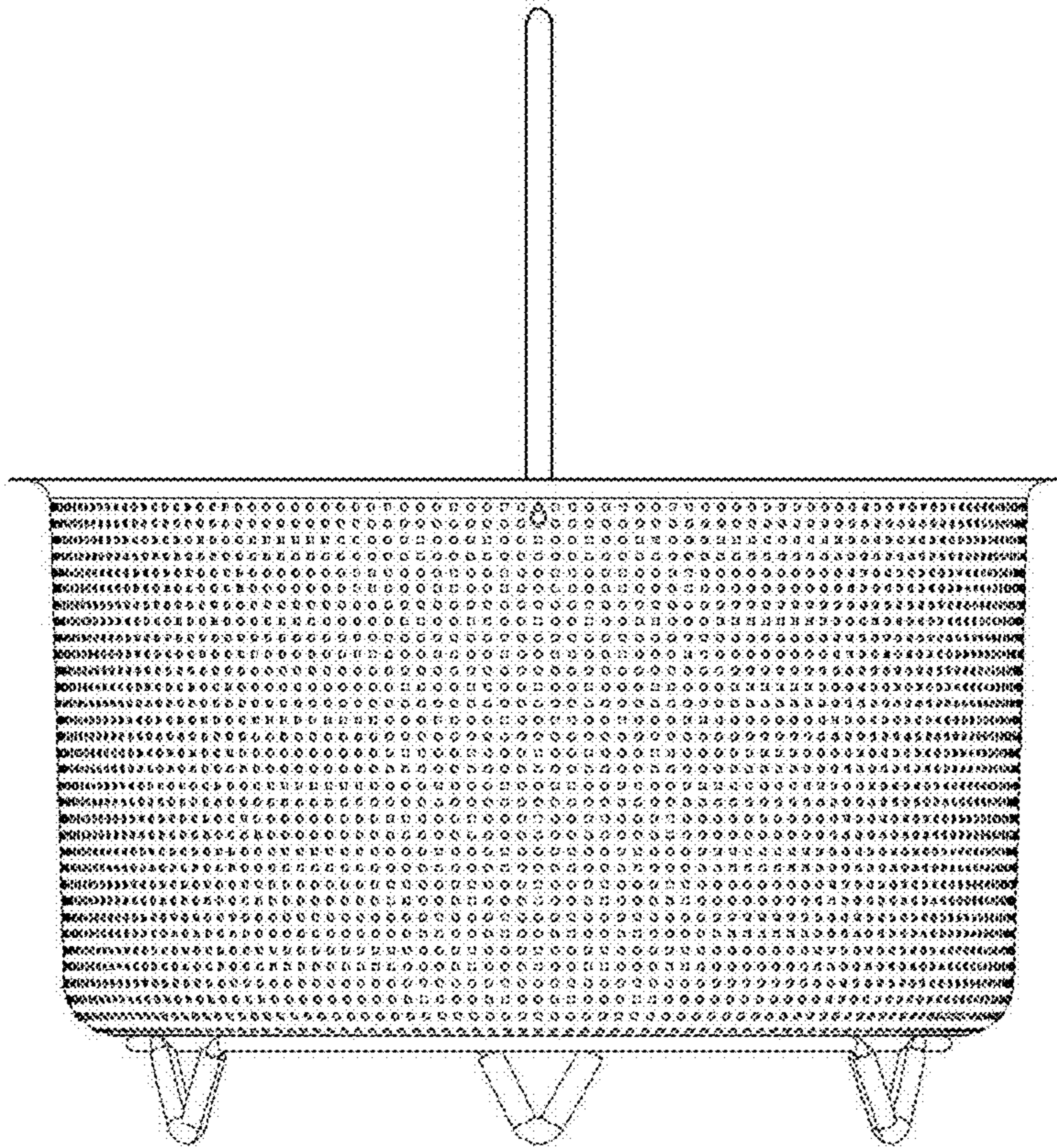


FIG.3

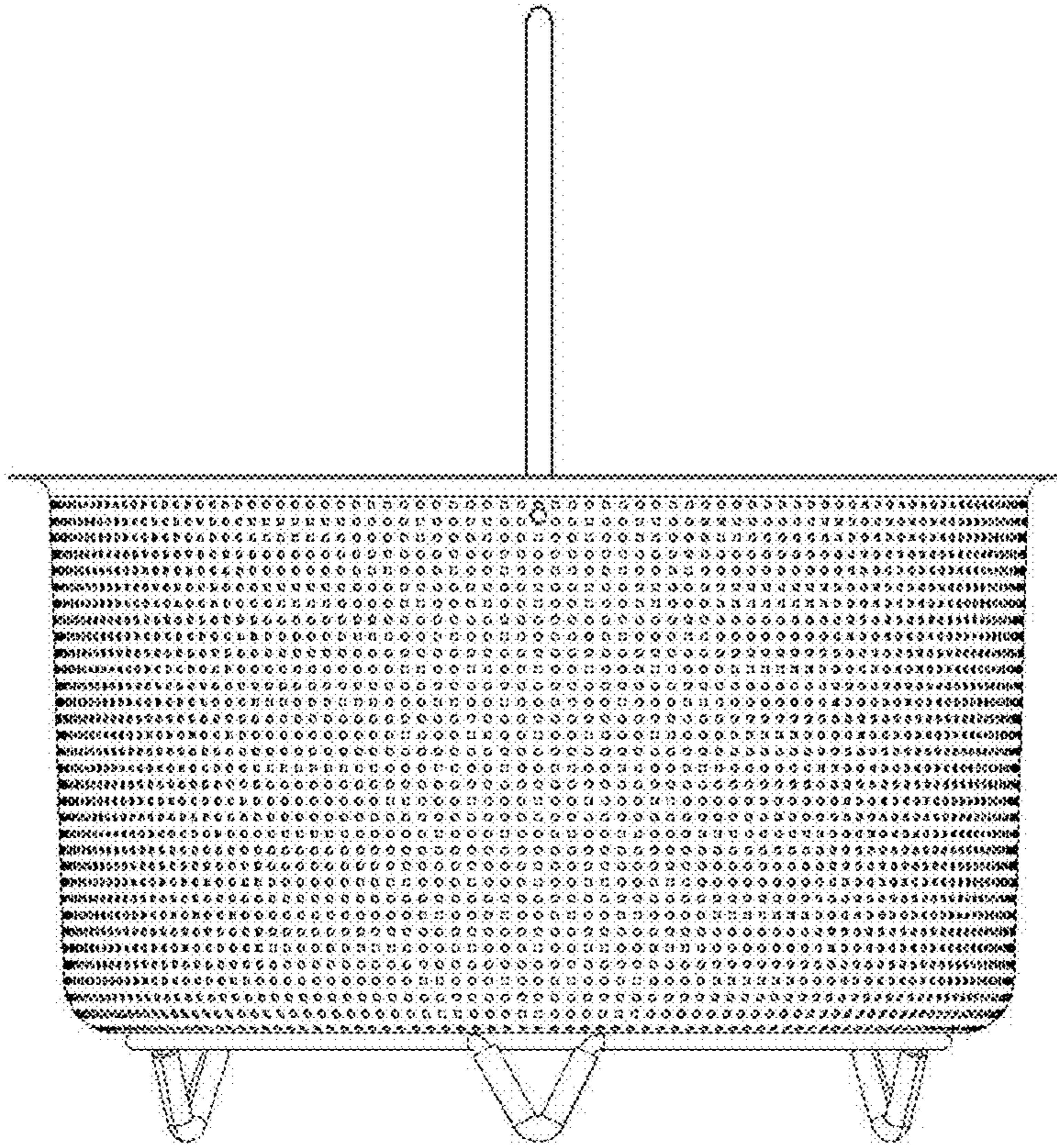


FIG.4

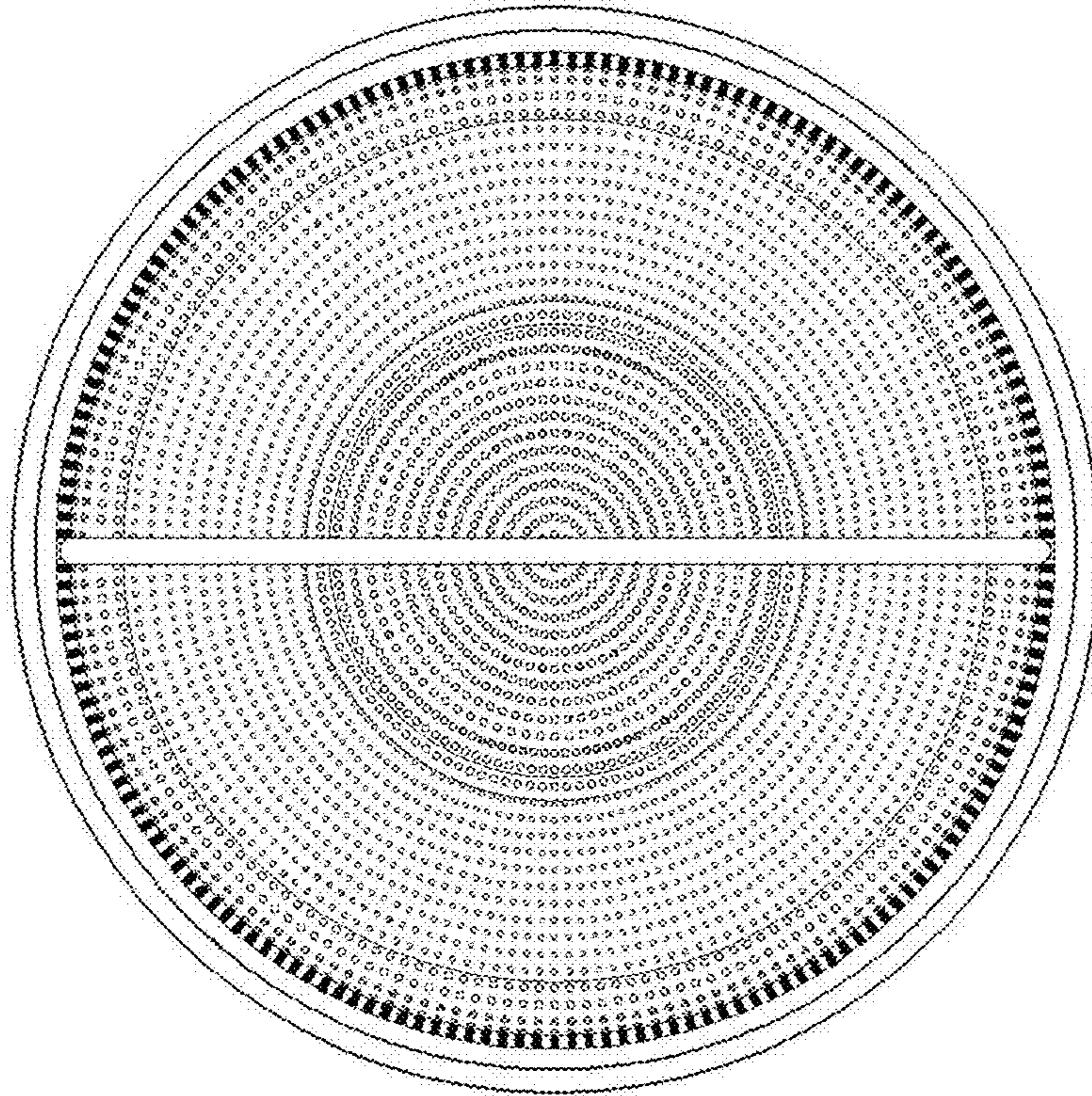


FIG.5

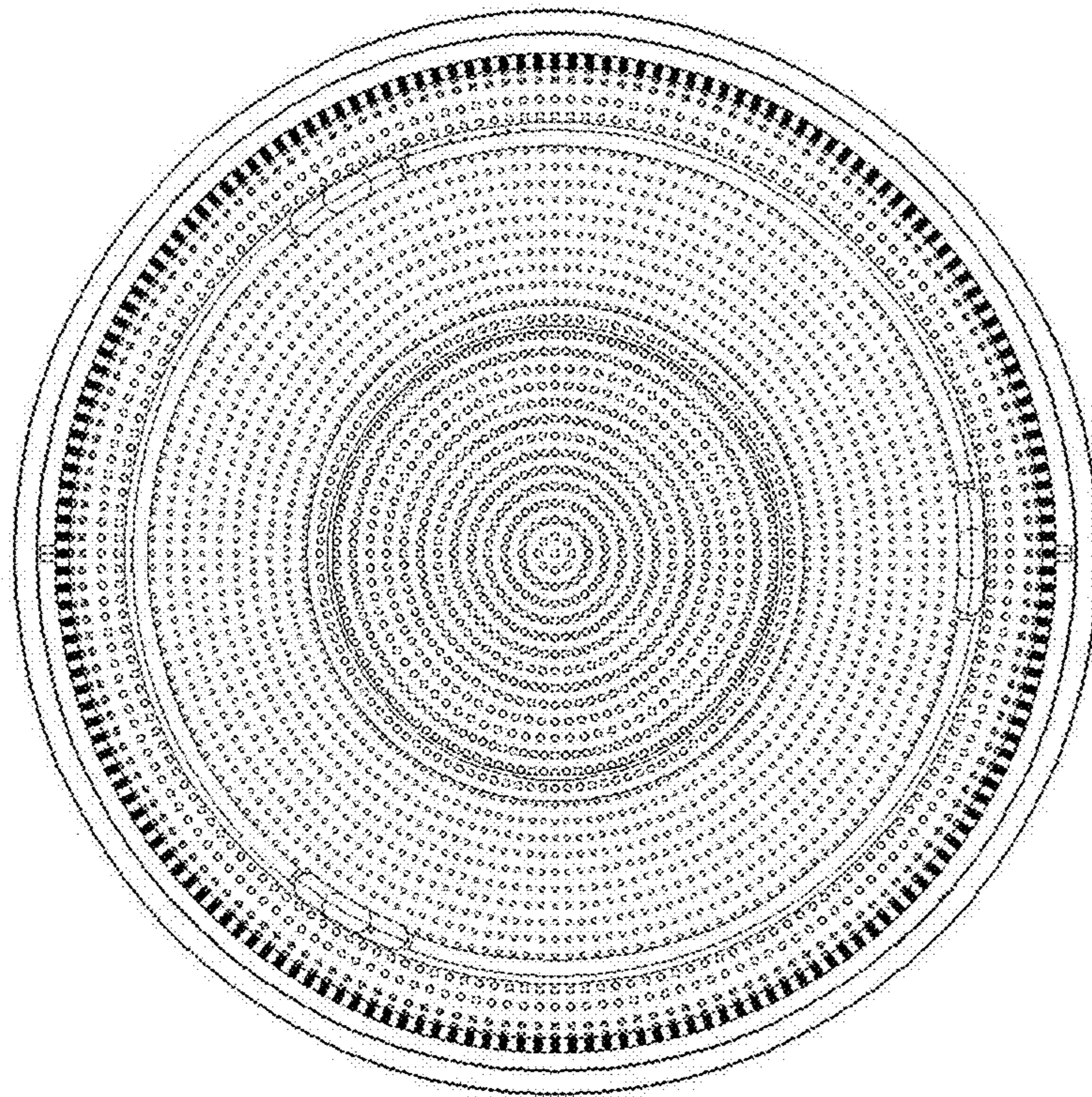


FIG.6

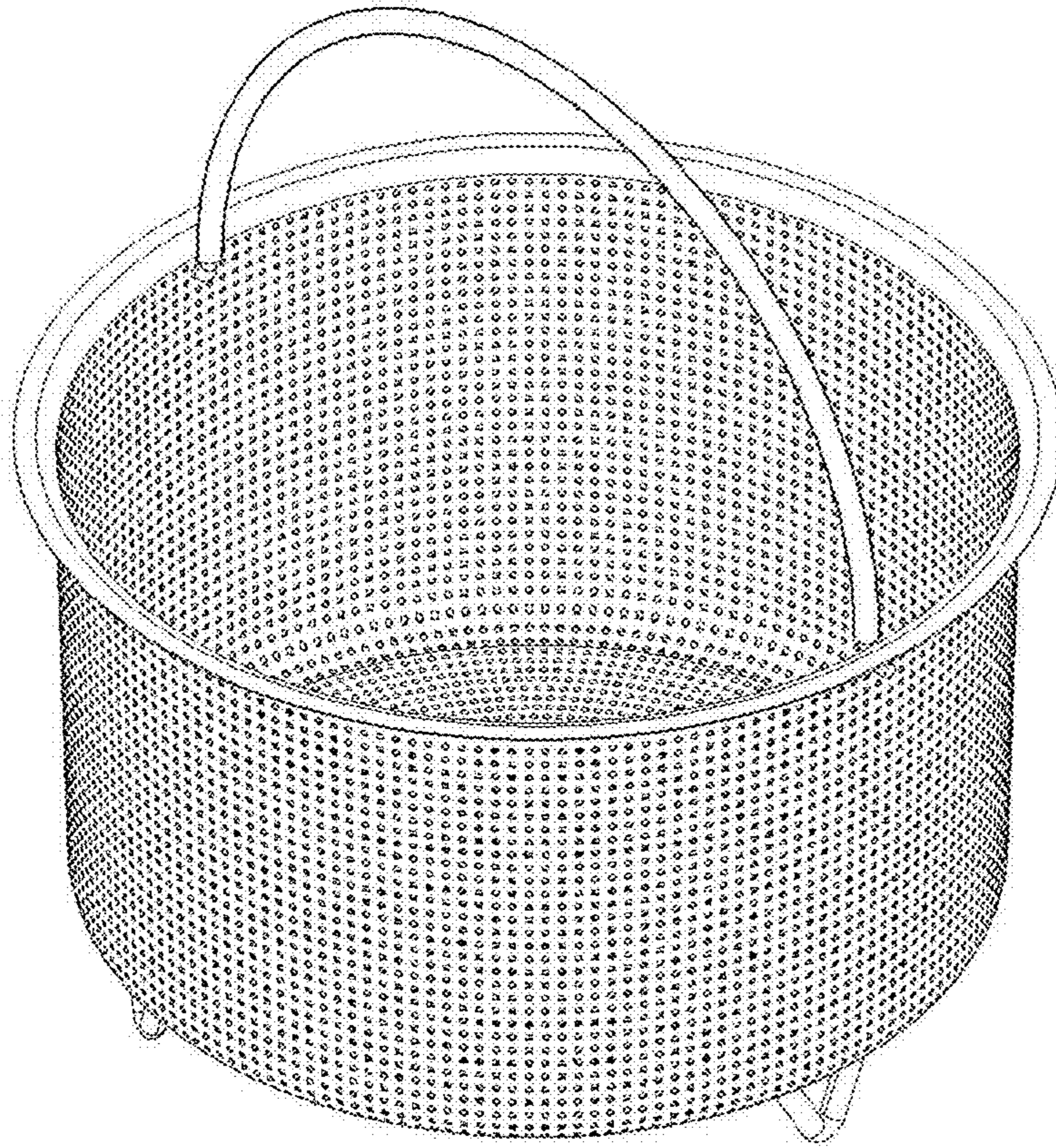


FIG.7

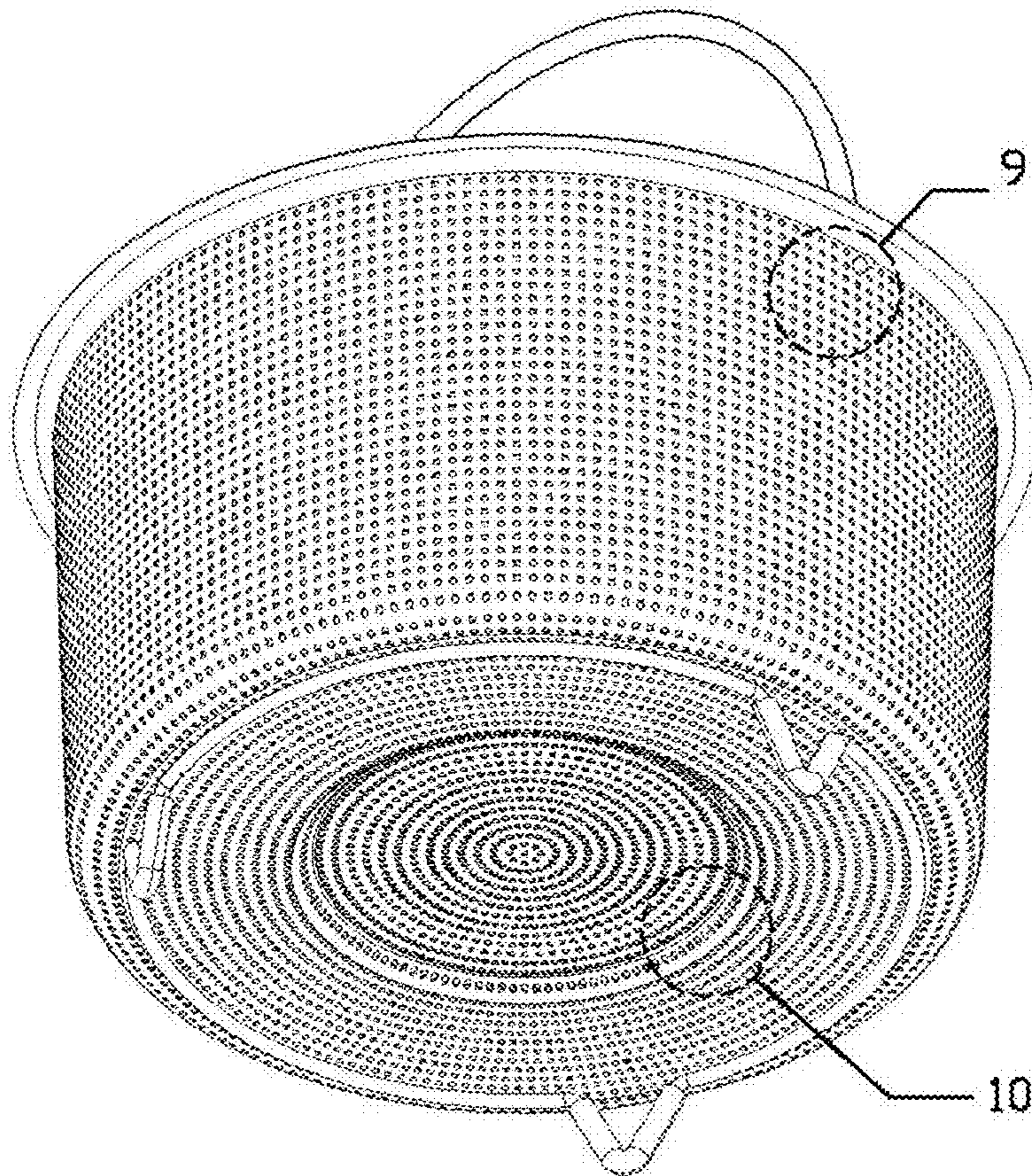


FIG.8

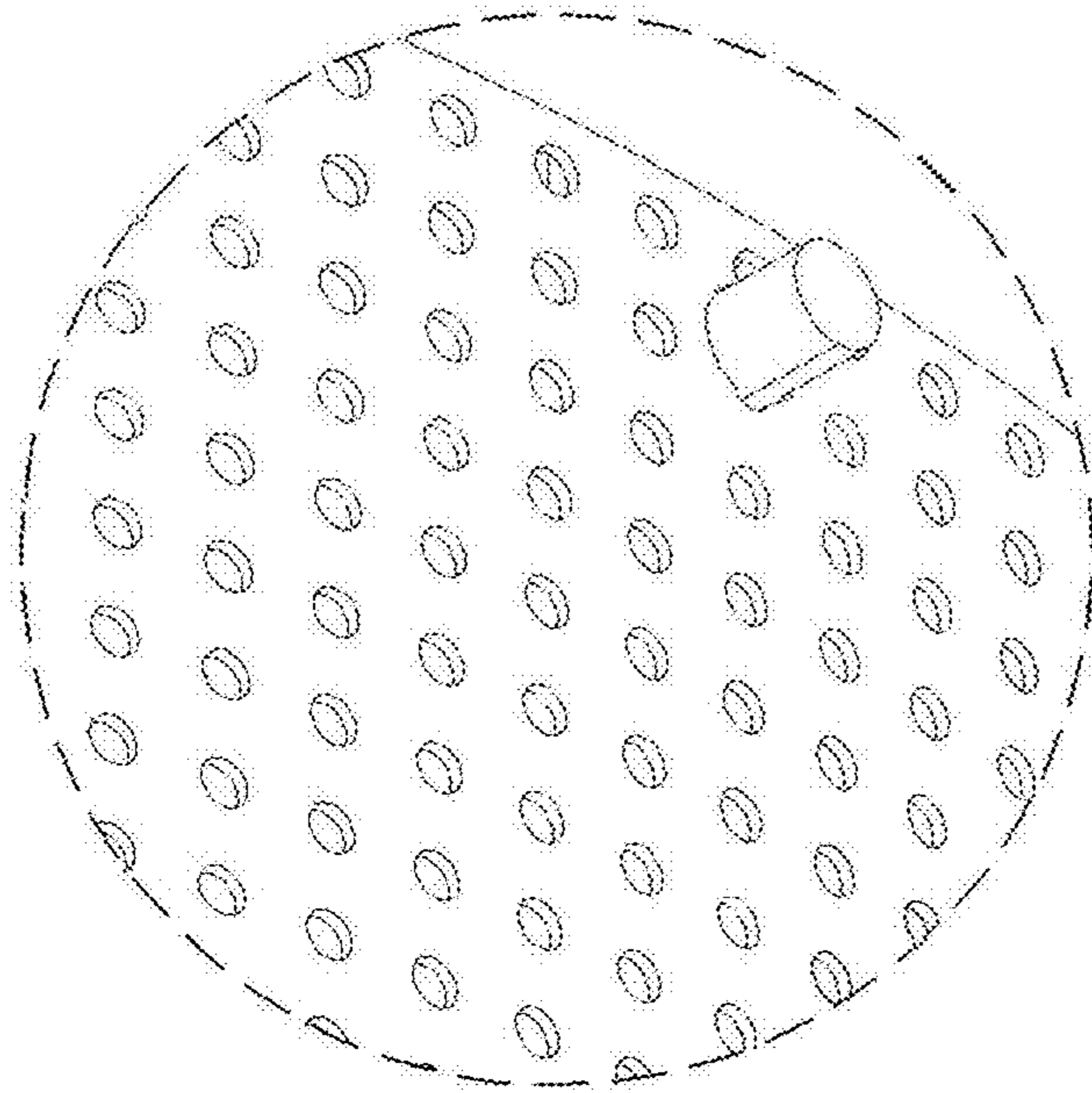


FIG.9

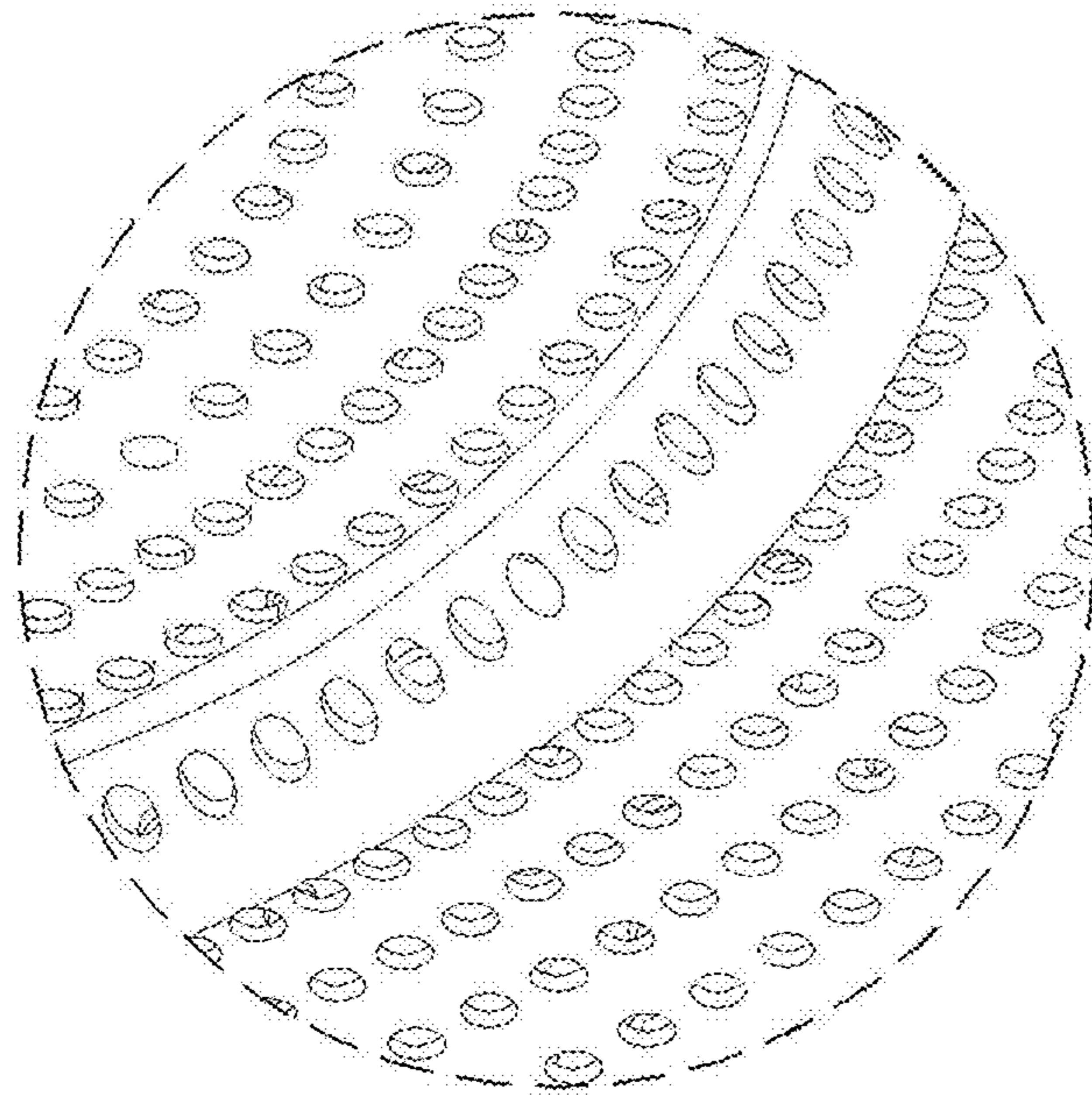


FIG. 10