

US00D891177S

(12) **United States Design Patent** (10) **Patent No.:** **US D891,177 S**  
**Bergese** (45) **Date of Patent:** **\*\* Jul. 28, 2020**

(54) **MICROWAVE OVEN**  
(71) Applicant: **Panasonic Intellectual Property Management Co., Ltd., Osaka-shi, Osaka (JP)**  
(72) Inventor: **Enrico Bergese, Shiga (JP)**  
(73) Assignee: **Panasonic Intellectual Property Management Co., Ltd., Osaka (JP)**  
(\*\*) Term: **15 Years**  
(21) Appl. No.: **29/661,593**

D705,008 S \* 5/2014 Shin ..... D7/405  
D705,591 S \* 5/2014 Lee ..... D7/351  
D750,431 S \* 3/2016 Bergese ..... D7/405  
D766,657 S \* 9/2016 Bergese .....  
D773,234 S \* 12/2016 Suh ..... D7/351  
D775,490 S \* 1/2017 Bergese ..... D7/351  
D780,513 S \* 3/2017 Bergese ..... D7/405  
D781,638 S \* 3/2017 Chung ..... D7/351  
D792,740 S \* 7/2017 Green ..... D7/405  
D823,044 S \* 7/2018 Barnard ..... D7/351  
D828,073 S \* 9/2018 Kang ..... H05B 1/00  
D836,376 S \* 12/2018 Kim ..... D7/351  
D836,377 S \* 12/2018 Kim ..... D7/351  
D836,378 S \* 12/2018 Kim ..... D7/351

(Continued)

(22) Filed: **Aug. 29, 2018**  
(51) **LOC (12) Cl.** ..... **07-02**  
(52) **U.S. Cl.**  
USPC ..... **D7/405**  
(58) **Field of Classification Search**  
USPC ..... D7/323, 331-337, 339, 340, 343,  
D7/345-349, 351, 402-406, 408, 539,  
D7/564, 571  
CPC .... A47J 37/07; A47J 37/0763; A47J 37/0704;  
F24C 3/00; F24C 3/002; F24C 3/008;  
F24C 7/00; F24C 7/02; F24C 5/00; H05B  
1/0261; H05B 1/0263; H05B 6/687  
See application file for complete search history.

**FOREIGN PATENT DOCUMENTS**

CA ID 160576 8/2015  
CA ID 160577 8/2015

(Continued)

*Primary Examiner* — Derrick E Holland  
*Assistant Examiner* — Andrew Kerr  
(74) *Attorney, Agent, or Firm* — Brinks Gilson & Lione

(57) **CLAIM**

The ornamental design for a microwave oven, as shown and described.

**DESCRIPTION**

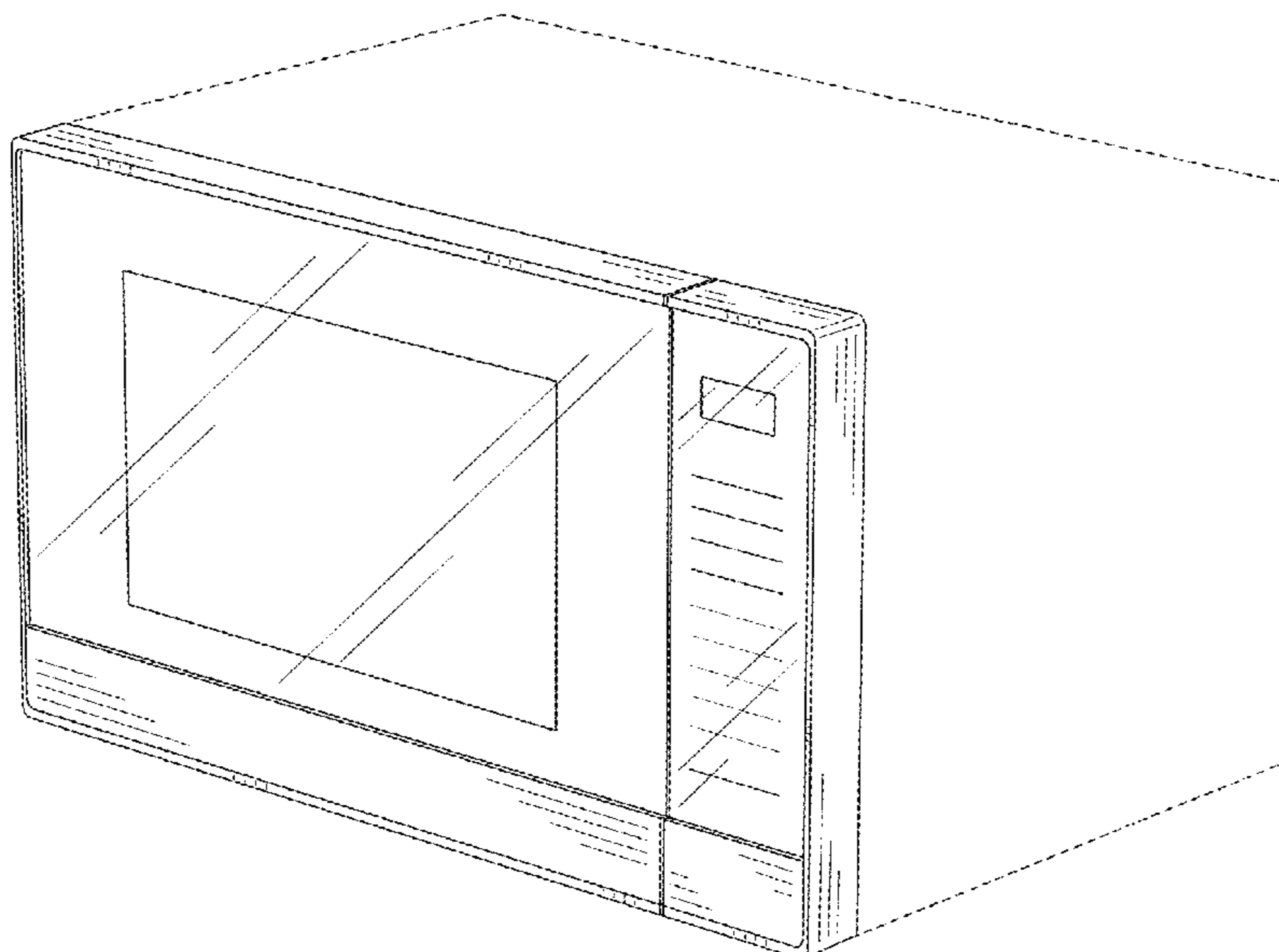
FIG. 1 is a perspective view of a microwave oven of the present invention;  
FIG. 2 is a front view thereof;  
FIG. 3 is a top view thereof;  
FIG. 4 is a bottom view thereof;  
FIG. 5 is a left side view thereof; and,  
FIG. 6 is a right side view thereof.  
The broken lines shown represent the portions of the microwave oven that form no part of the claimed design.

**1 Claim, 6 Drawing Sheets**

(56) **References Cited**

**U.S. PATENT DOCUMENTS**

D476,521 S \* 7/2003 Fukuda ..... D7/351  
D633,329 S \* 3/2011 Baek ..... D7/351  
D633,750 S \* 3/2011 Baek ..... D7/351  
D638,250 S \* 5/2011 Lee ..... D7/351  
D657,607 S \* 4/2012 Ohmae ..... D7/351  
D673,417 S \* 1/2013 Lee ..... D7/351  
D673,418 S \* 1/2013 Lee ..... D7/351  
D693,167 S \* 11/2013 Kim ..... D7/351  
D697,265 S \* 1/2014 Bergese ..... D28/53  
D704,983 S \* 5/2014 Yoon ..... D7/351



(56)

**References Cited**

U.S. PATENT DOCUMENTS

D843,160 S \* 3/2019 Kang ..... D7/351  
D850,183 S \* 6/2019 Seo ..... D7/351  
D862,981 S \* 10/2019 Bergese ..... D7/405  
2013/0069512 A1\* 3/2013 Zimmer ..... H05B 1/00  
312/326

FOREIGN PATENT DOCUMENTS

CN 303124171 S 3/2015  
TH 93791 2/2009

\* cited by examiner

FIG. 1

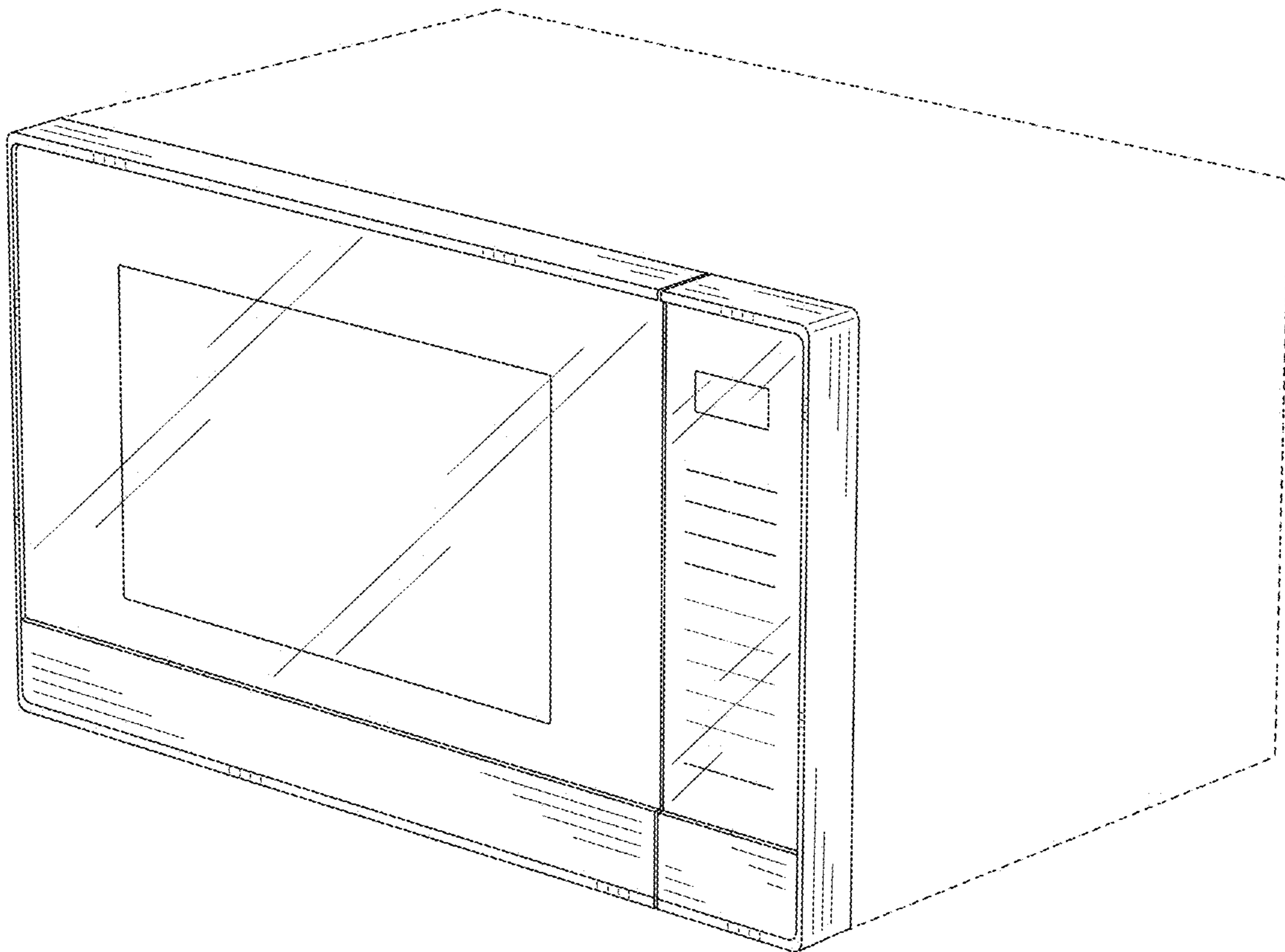


FIG. 2

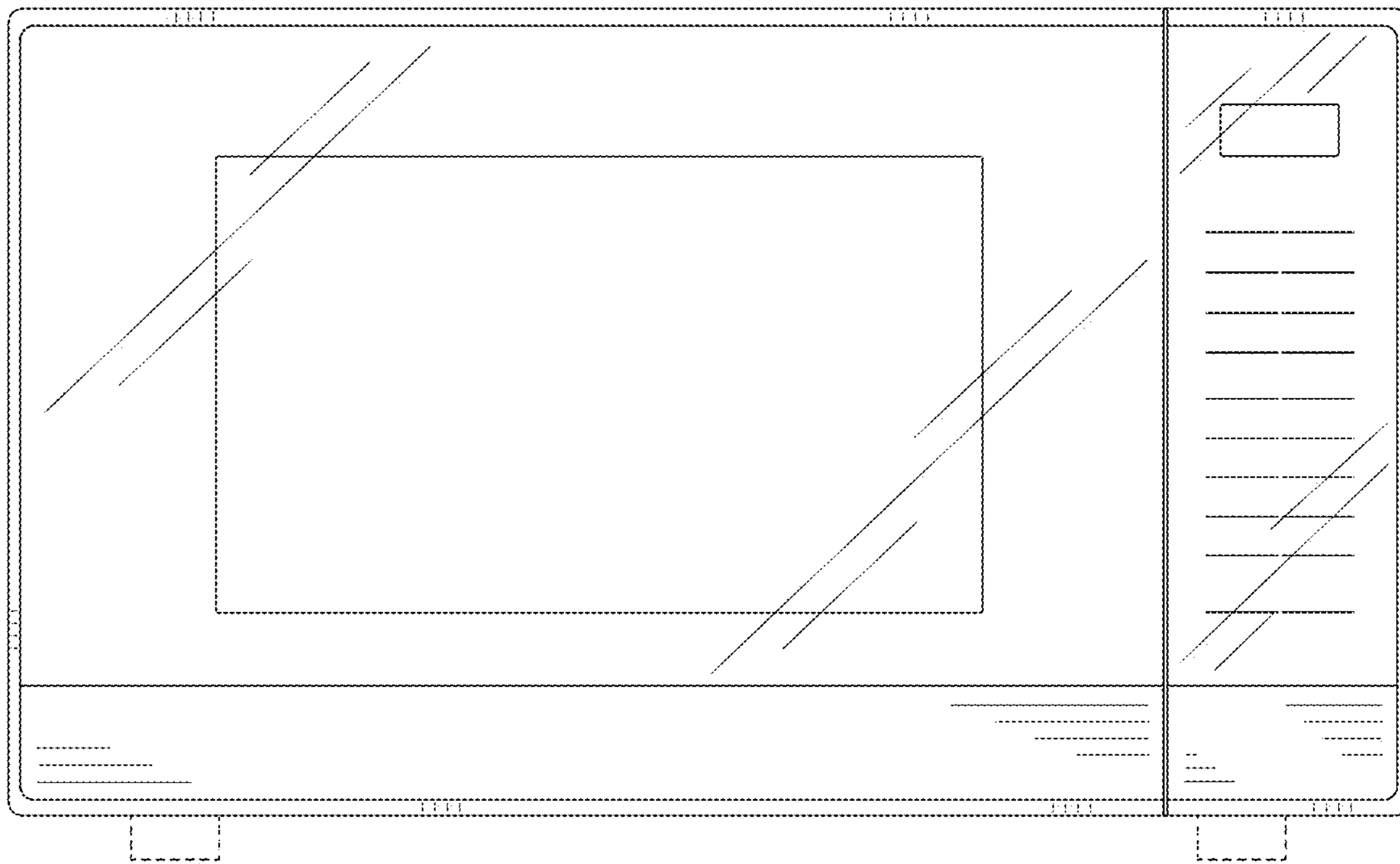


FIG. 3

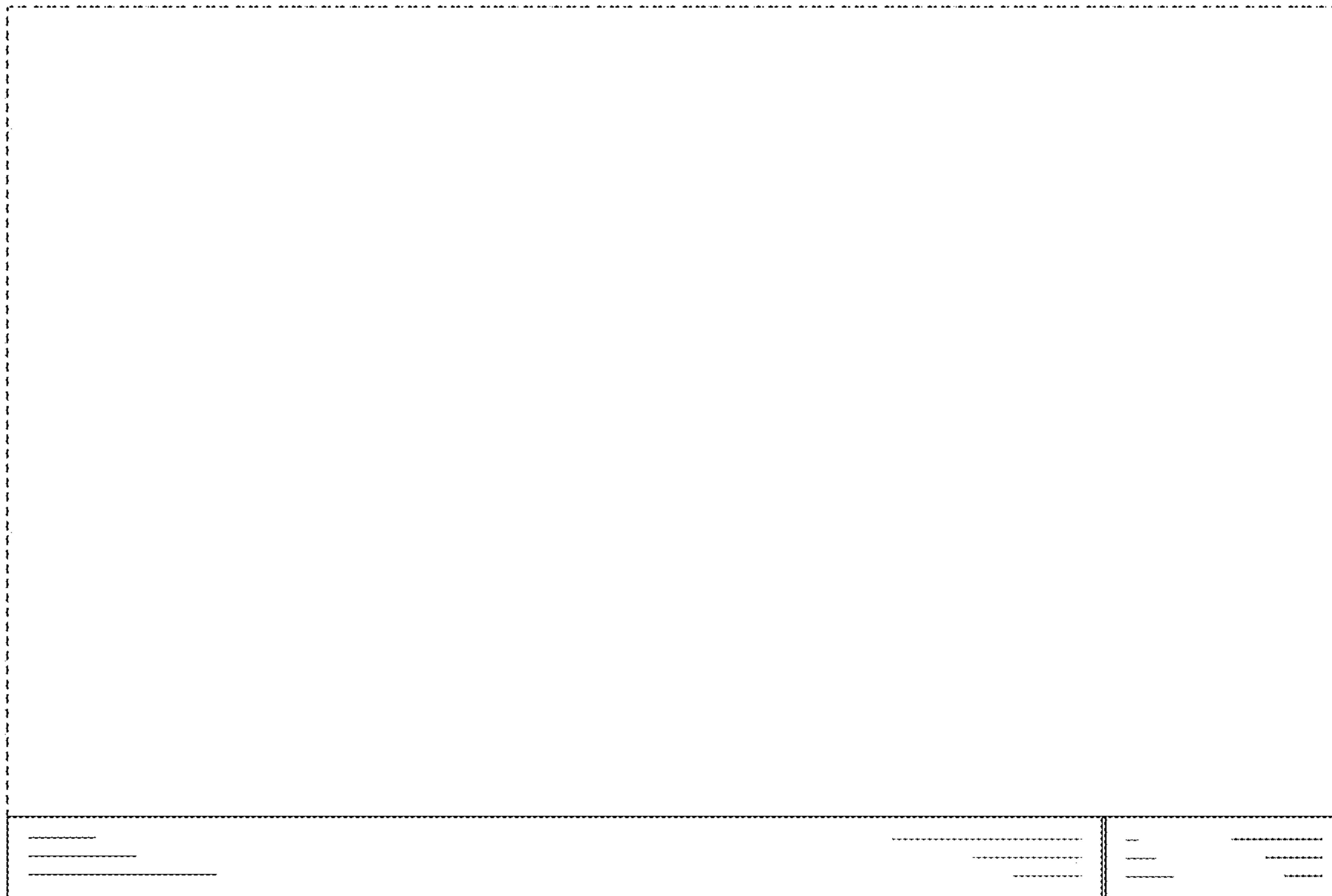


FIG. 4



FIG. 5

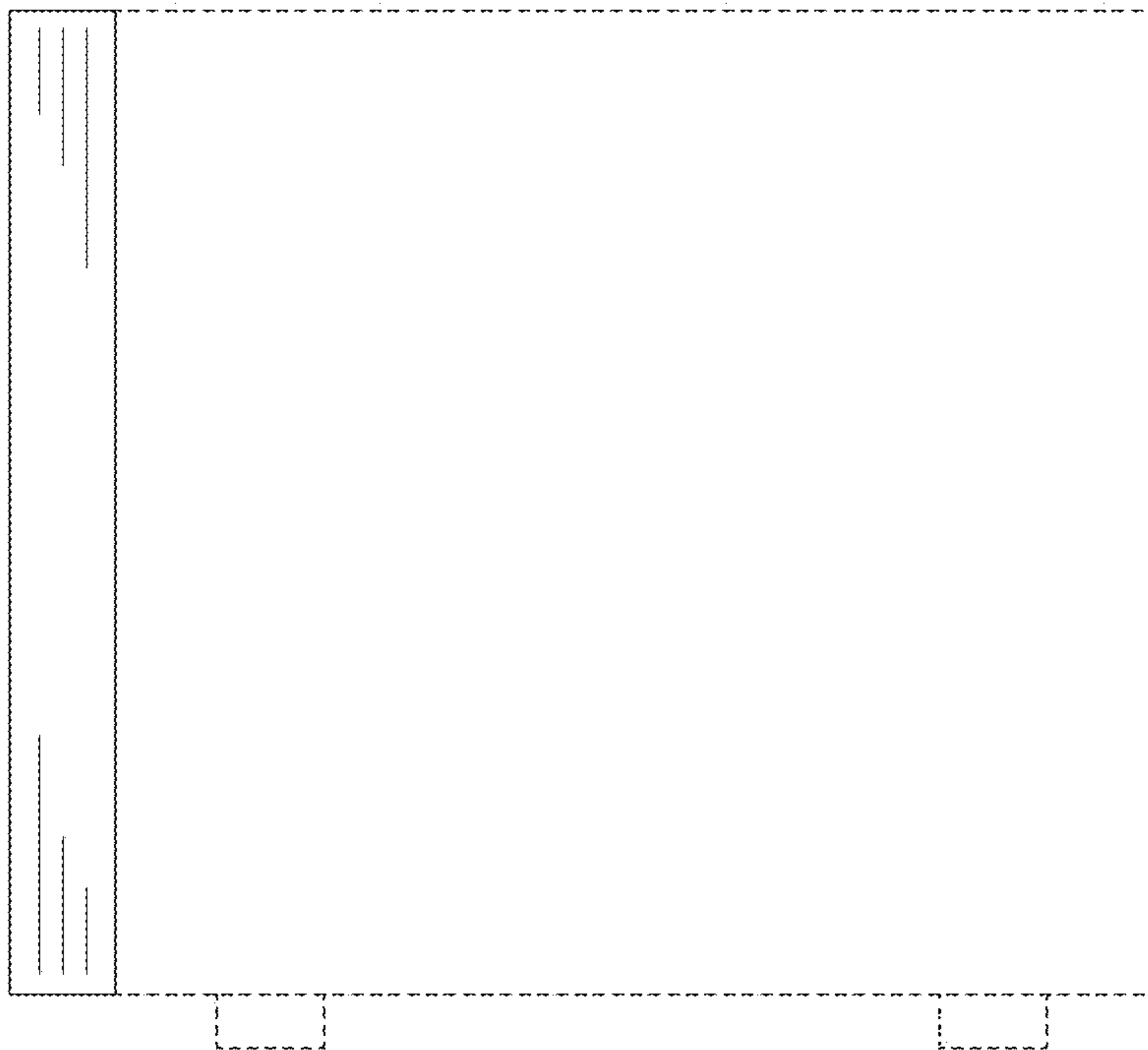


FIG. 6

