



US00D891176S

(12) **United States Design Patent** (10) **Patent No.:** **US D891,176 S**
Bergese (45) **Date of Patent:** **** Jul. 28, 2020**

- (54) **MICROWAVE OVEN**
- (71) Applicant: **Panasonic Intellectual Property Management Co., Ltd., Osaka-shi, Osaka (JP)**
- (72) Inventor: **Enrico Bergese, Shiga (JP)**
- (73) Assignee: **Panasonic Intellectual Property Management Co., Ltd., Osaka (JP)**
- (**) Term: **15 Years**
- (21) Appl. No.: **29/661,586**
- (22) Filed: **Aug. 29, 2018**
- (51) **LOC (12) Cl.** **07-02**
- (52) **U.S. Cl.**
USPC **D7/405**
- (58) **Field of Classification Search**
USPC D7/323, 331-337, 339, 340, 343, D7/345-349, 351, 402-406, 408, 539, D7/564, 571
CPC A47J 37/07; A47J 37/0763; A47J 37/0704; F24C 3/00; F24C 3/002; F24C 3/008; F24C 7/00; F24C 7/02; F24C 5/00; H05B 1/0261; H05B 1/0263; H05B 6/687
See application file for complete search history.

- (56) **References Cited**
U.S. PATENT DOCUMENTS
D476,521 S * 7/2003 Fukuda D7/351
D633,329 S * 3/2011 Baek D7/351
D633,750 S * 3/2011 Baek D7/351
D638,250 S * 5/2011 Lee D7/351
D657,607 S * 4/2012 Ohmae D7/351
D673,417 S * 1/2013 Lee D7/351
D673,418 S * 1/2013 Lee D7/351
D693,167 S * 11/2013 Kim D7/351
D697,265 S * 1/2014 Bergese D28/53
D704,983 S * 5/2014 Yoon D7/351

- D705,008 S * 5/2014 Shin D7/405
- D705,591 S * 5/2014 Lee D7/351
- D750,431 S * 3/2016 Bergese D7/405
- D766,657 S * 9/2016 Bergese
- D773,234 S * 12/2016 Suh D7/351
- D775,490 S * 1/2017 Bergese D7/351
- D780,513 S * 3/2017 Bergese D7/405
- D781,638 S * 3/2017 Chung D7/351
- D792,740 S * 7/2017 Green D7/405
- D823,044 S * 7/2018 Barnard D7/351
- D828,073 S * 9/2018 Kang H05B 1/00
D7/351
- D836,376 S * 12/2018 Kim D7/351
- D836,377 S * 12/2018 Kim D7/351
- D836,378 S * 12/2018 Kim D7/351
- D843,160 S * 3/2019 Kang D7/351
- D850,183 S * 6/2019 Seo D7/351

(Continued)

FOREIGN PATENT DOCUMENTS

CA	ID160576	8/2015
TH	93791	2/2009

Primary Examiner — Derrick E Holland
Assistant Examiner — Andrew Kerr
 (74) *Attorney, Agent, or Firm* — Brinks Gilson & Lione

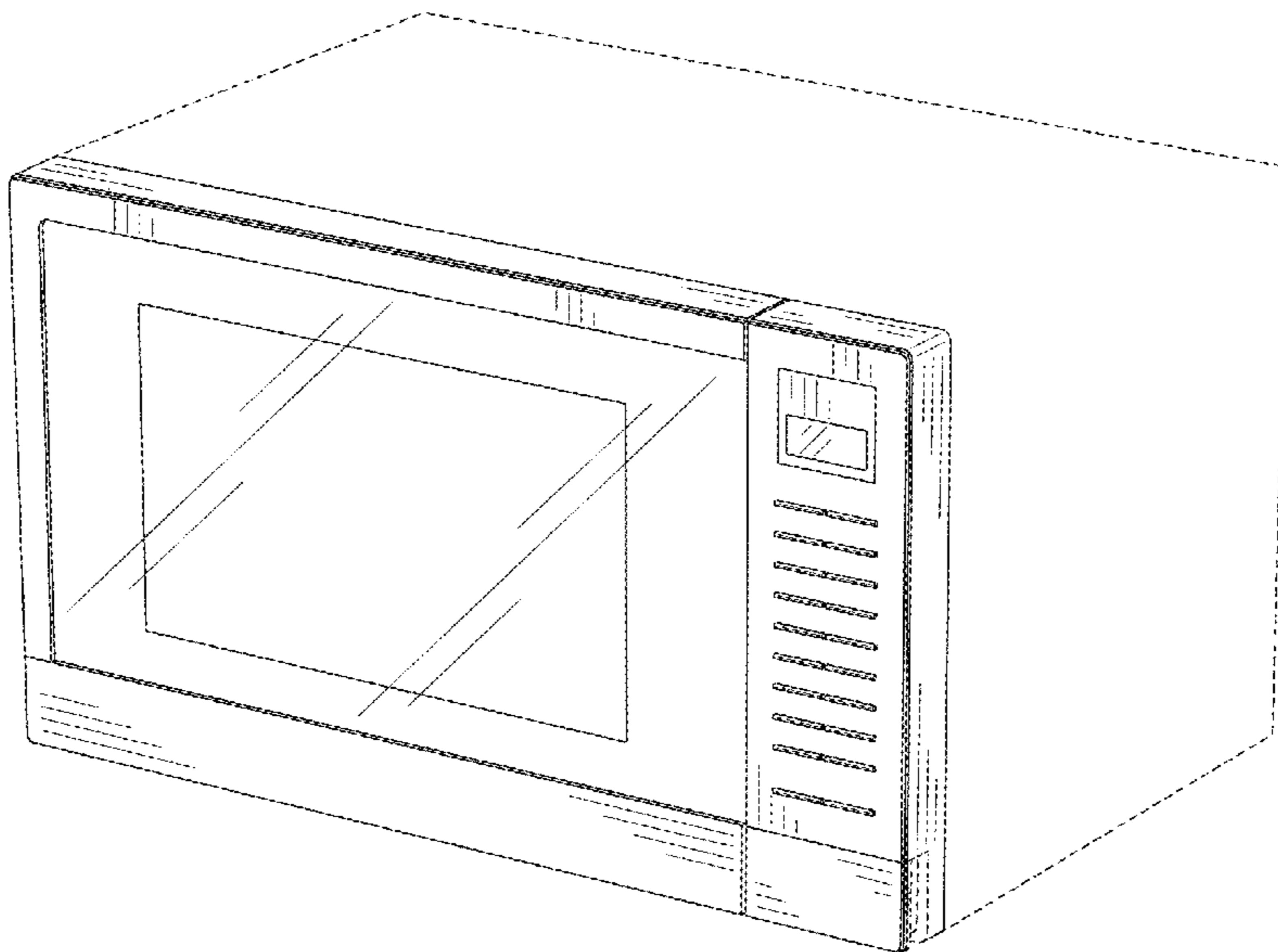
(57) **CLAIM**

The ornamental design for a microwave oven, as shown and described.

DESCRIPTION

FIG. 1 is a perspective view of a microwave oven of the present invention;
 FIG. 2 is a front view thereof;
 FIG. 3 is a top view thereof;
 FIG. 4 is a bottom view thereof;
 FIG. 5 is a left side view thereof; and,
 FIG. 6 is a right side view thereof.
 The broken lines shown represent the portions of the microwave oven that form no part of the claimed design.

1 Claim, 6 Drawing Sheets



(56)

References Cited

U.S. PATENT DOCUMENTS

D862,981 S * 10/2019 Bergese D7/405
2013/0069512 A1* 3/2013 Zimmer H05B 1/00
312/326

* cited by examiner

FIG. 1

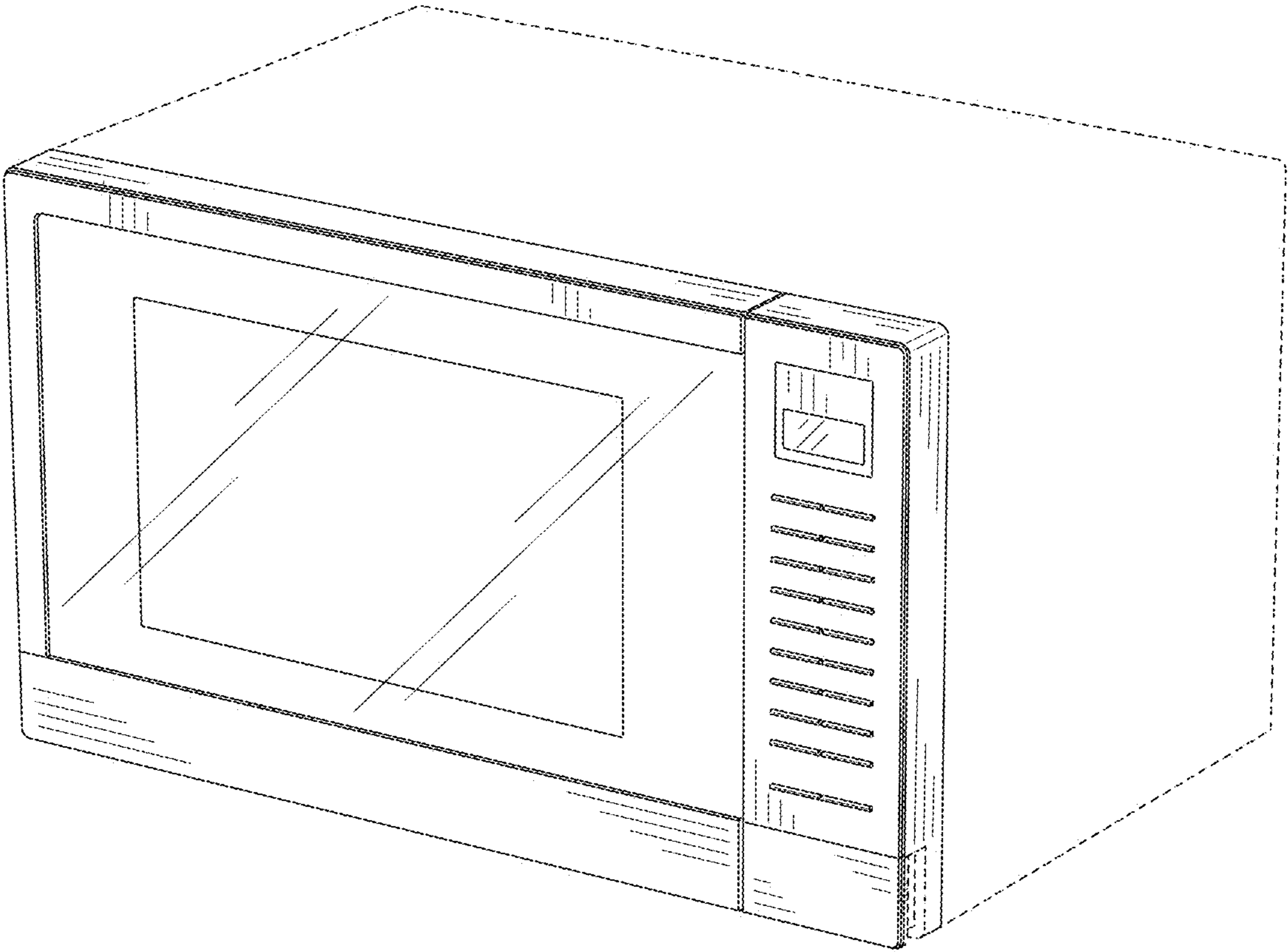


FIG. 2

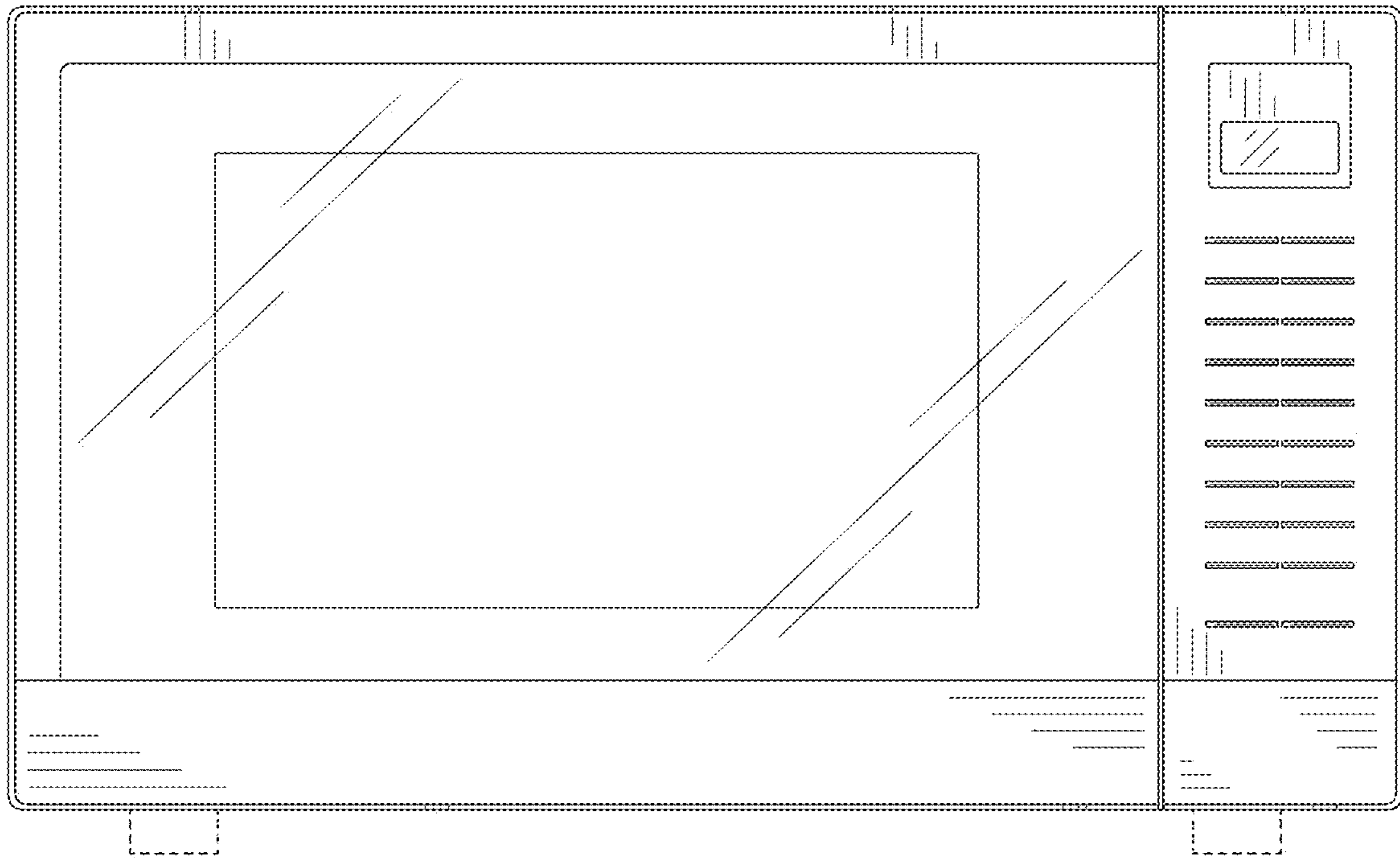


FIG. 3



FIG. 4

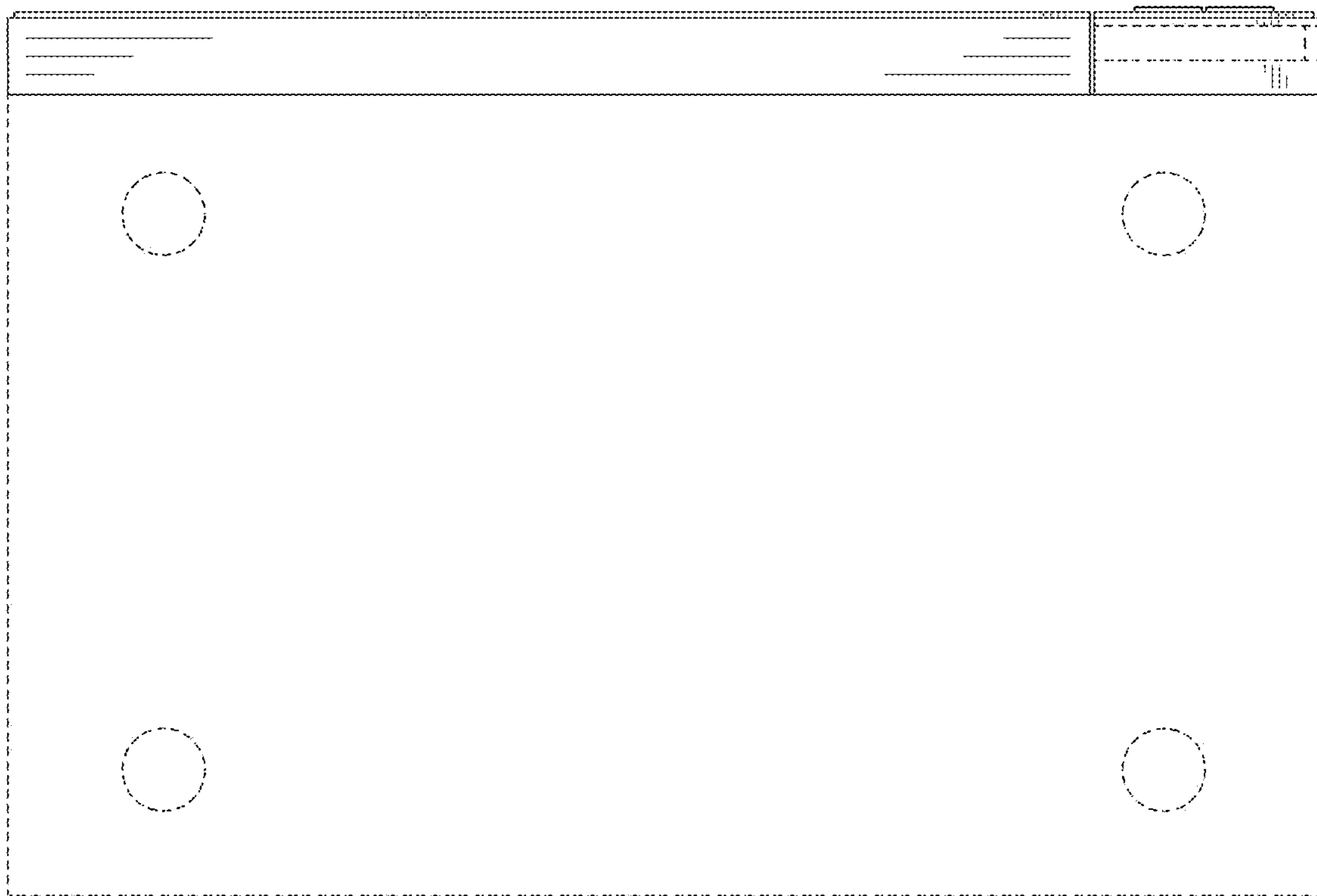


FIG. 5

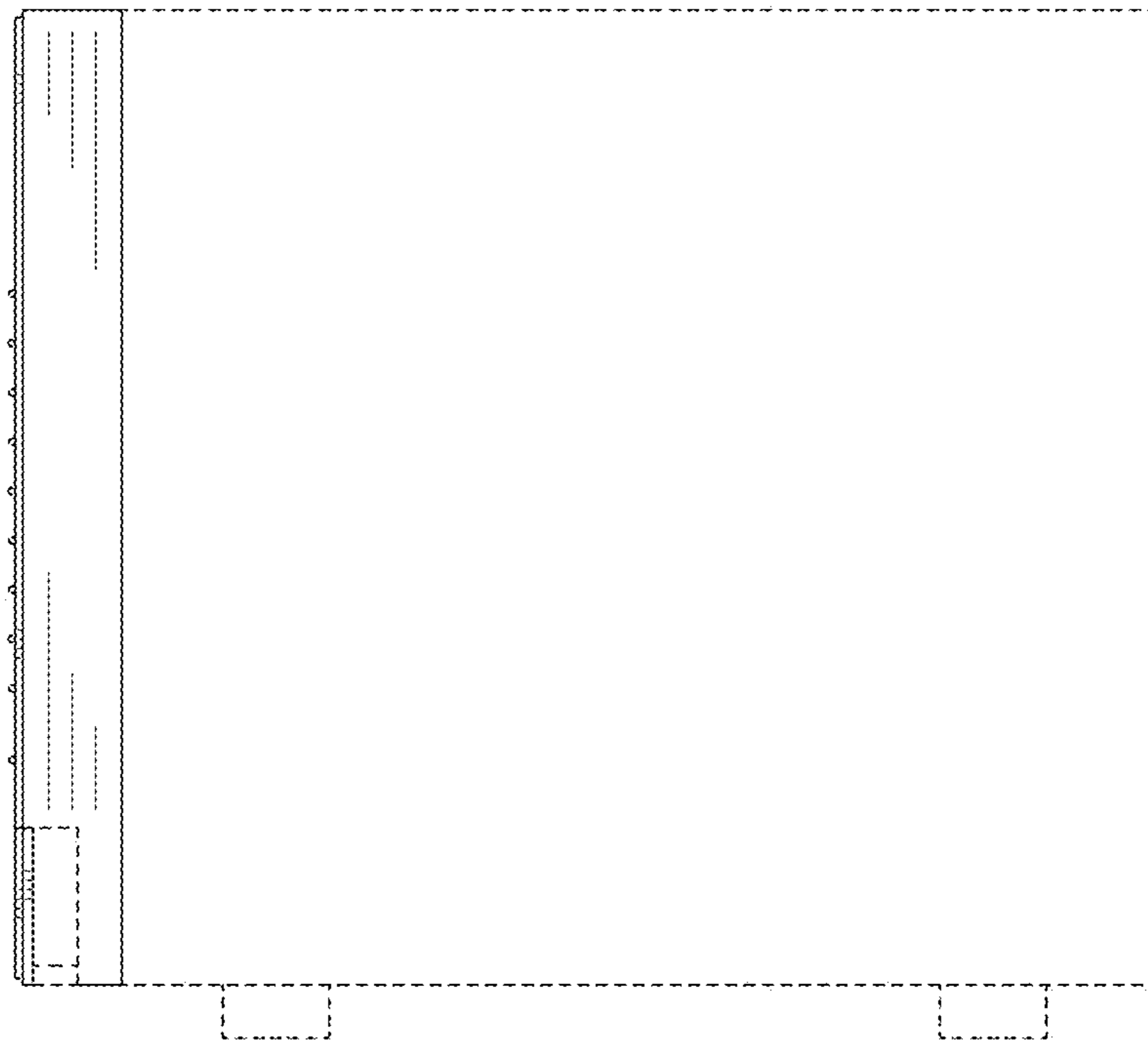


FIG. 6

