



US00D891175S

(12) **United States Design Patent** (10) **Patent No.:** **US D891,175 S**  
**Martin et al.** (45) **Date of Patent:** **\*\* Jul. 28, 2020**

(54) **CHILD RESISTANT LID FOR BEVERAGE CONTAINER**

(71) Applicant: **N2 PACKAGING SYSTEMS, LLC**,  
Twin Falls, ID (US)

(72) Inventors: **Randy S. Martin**, Kimberly, ID (US);  
**Michael G. Standlee**, Eden, ID (US)

(73) Assignee: **N2 PACKAGING SYSTEMS, LLC**,  
Twin Falls, ID (US)

(\*\*) Term: **15 Years**

(21) Appl. No.: **29/667,732**

(22) Filed: **Oct. 24, 2018**

**Related U.S. Application Data**

(63) Continuation-in-part of application No. 14/519,031,  
filed on Oct. 20, 2014, now Pat. No. 9,878,821.

(51) **LOC (12) Cl.** ..... **07-99**

(52) **U.S. Cl.**  
USPC ..... **D7/392**

(58) **Field of Classification Search**  
USPC ..... D7/387, 391, 394, 396.2, 509-511, 538,  
D7/900; D3/201, 202; D9/434, 435,  
D9/436, 439, 440, 442, 443, 446-450,  
D9/499, 686  
CPC .. A61J 1/00; A61J 1/1412; B65D 1/00; B65D  
1/02; B65D 1/10; B65D 1/46; B65D  
2585/56; B65D 2585/545; B65D 41/00;  
(Continued)

(56) **References Cited**

**U.S. PATENT DOCUMENTS**

2,859,786 A \* 11/1958 Tupper ..... B65D 43/0212  
220/792  
4,852,757 A \* 8/1989 Gold ..... B65D 21/083  
220/4.03

(Continued)

**OTHER PUBLICATIONS**

YouTube-N2 Packaging Systems LLC, Check the Boxes, May 7,  
2019, [site visited Mar. 31, 2020], Available on the Internet URL  
<https://www.youtube.com/watch?v=b6zqSmkWX5I> (Year: 2019).\*

*Primary Examiner* — Karen S Acker

*Assistant Examiner* — Steven B Reinholdt, Jr.

(74) *Attorney, Agent, or Firm* — Richard D. Clarke

(57) **CLAIM**

We claim the ornamental design for a child-resistant lid for  
beverage container, as shown and described.

**DESCRIPTION**

FIG. 1 is a top, front and side per perspective view of an  
assembled two-piece child-resistant lid for beverage con-  
tainers, shown in a use configuration with a beverage  
container;

FIG. 2 is a front view of the child-resistant lid for beverage  
container thereof;

FIG. 3 is a top plan view of the top piece of the child-  
resistant lid for beverage container of FIG. 1;

FIG. 4 is a bottom view thereof;

FIG. 5 is a rear view thereof;

FIG. 6 is a side elevation view thereof;

FIG. 7 is a front view thereof;

FIG. 8 is a top view of the bottom piece of the child-resistant  
lid for beverage container of FIG. 1;

FIG. 9 is a bottom view thereof;

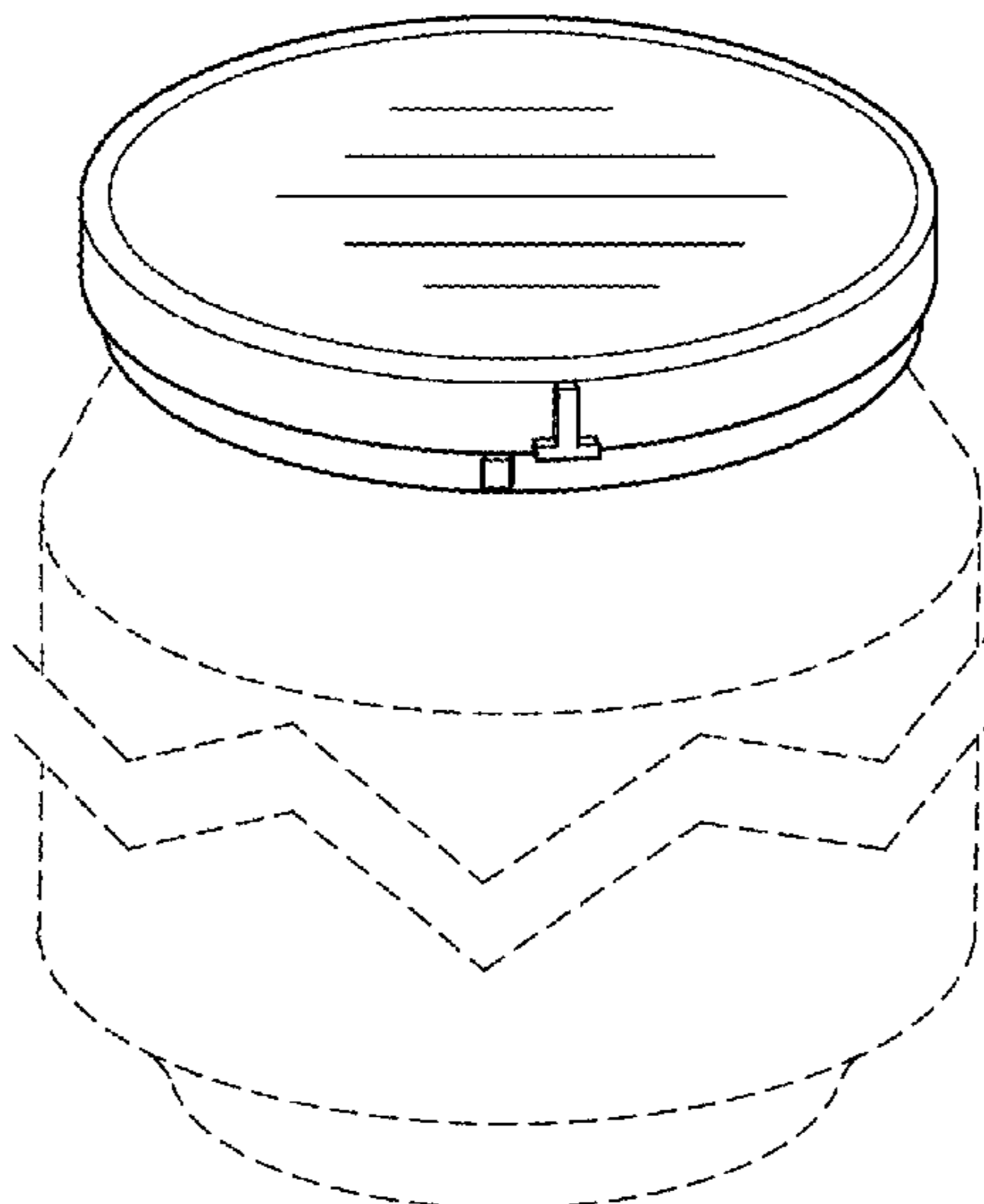
FIG. 10 is a rear view thereof;

FIG. 11 is a side elevation view thereof; and,

FIG. 12 is a front view of thereof.

The broken lines and the areas within them in FIGS. 1 and  
2 depict the environment of a beverage container that forms  
no part of the claimed design. The broken lines in FIGS. 4,  
8, and 9 depict portions of the child-resistant lid for beverage  
container that form no part of the claimed design.

**1 Claim, 3 Drawing Sheets**



(58) **Field of Classification Search**

CPC ..... B65D 41/38; B65D 41/56; B65D 41/62;  
 B65D 47/00; B65D 47/06; B65D 47/08;  
 B65D 2543/00046; B65D 2543/00092;  
 B65D 2543/00296; B65D 5/46; B65D  
 2251/00

See application file for complete search history.

D804,306 S \* 12/2017 Simons ..... D9/454  
 D812,428 S \* 3/2018 Wu ..... D7/510  
 9,936,729 B2 \* 4/2018 Garcia ..... A24F 23/00  
 D828,158 S \* 9/2018 Manis ..... D9/436  
 D865,439 S \* 11/2019 Matsumoto ..... D7/391  
 10,463,075 B2 \* 11/2019 Beardsall ..... B65D 43/0212  
 D876,232 S \* 2/2020 Sibley ..... D9/443  
 10,597,205 B2 \* 3/2020 Sibley ..... B65D 50/062  
 2008/0202956 A1 \* 8/2008 Welk ..... B65D 43/0212

(56) **References Cited**

U.S. PATENT DOCUMENTS

D374,822 S \* 10/1996 Philips ..... D7/392.1  
 D413,485 S \* 9/1999 Much ..... D7/391  
 D414,650 S \* 10/1999 Lillelund ..... D7/391  
 D689,735 S \* 9/2013 Redfern ..... D7/392.1  
 8,863,947 B2 \* 10/2014 Sibley ..... B65B 61/20  
 206/213.1  
 D717,104 S \* 11/2014 Redfern ..... D7/392.1  
 9,265,287 B2 \* 2/2016 Sims ..... A24F 23/00  
 D774,887 S \* 12/2016 Torrison ..... D9/416  
 D777,034 S \* 1/2017 Sill ..... D9/454

2008/0314916 A1 \* 12/2008 Dimartino ..... B65D 51/20  
 220/783  
 2016/0016700 A1 \* 1/2016 Stevens ..... B65D 3/30  
 220/258.5  
 2016/0167845 A1 \* 6/2016 Harvey ..... B65D 25/34  
 220/23.91  
 2017/0305615 A1 \* 10/2017 Witt ..... B65D 43/0262  
 2017/0355495 A1 \* 12/2017 Martin ..... B65D 55/08  
 2018/0148237 A1 \* 5/2018 Sibley ..... B65B 29/00  
 2019/0233182 A1 \* 8/2019 Sibley ..... B65D 51/228  
 2019/0315532 A1 \* 10/2019 Boggs ..... B65D 43/0225

\* cited by examiner

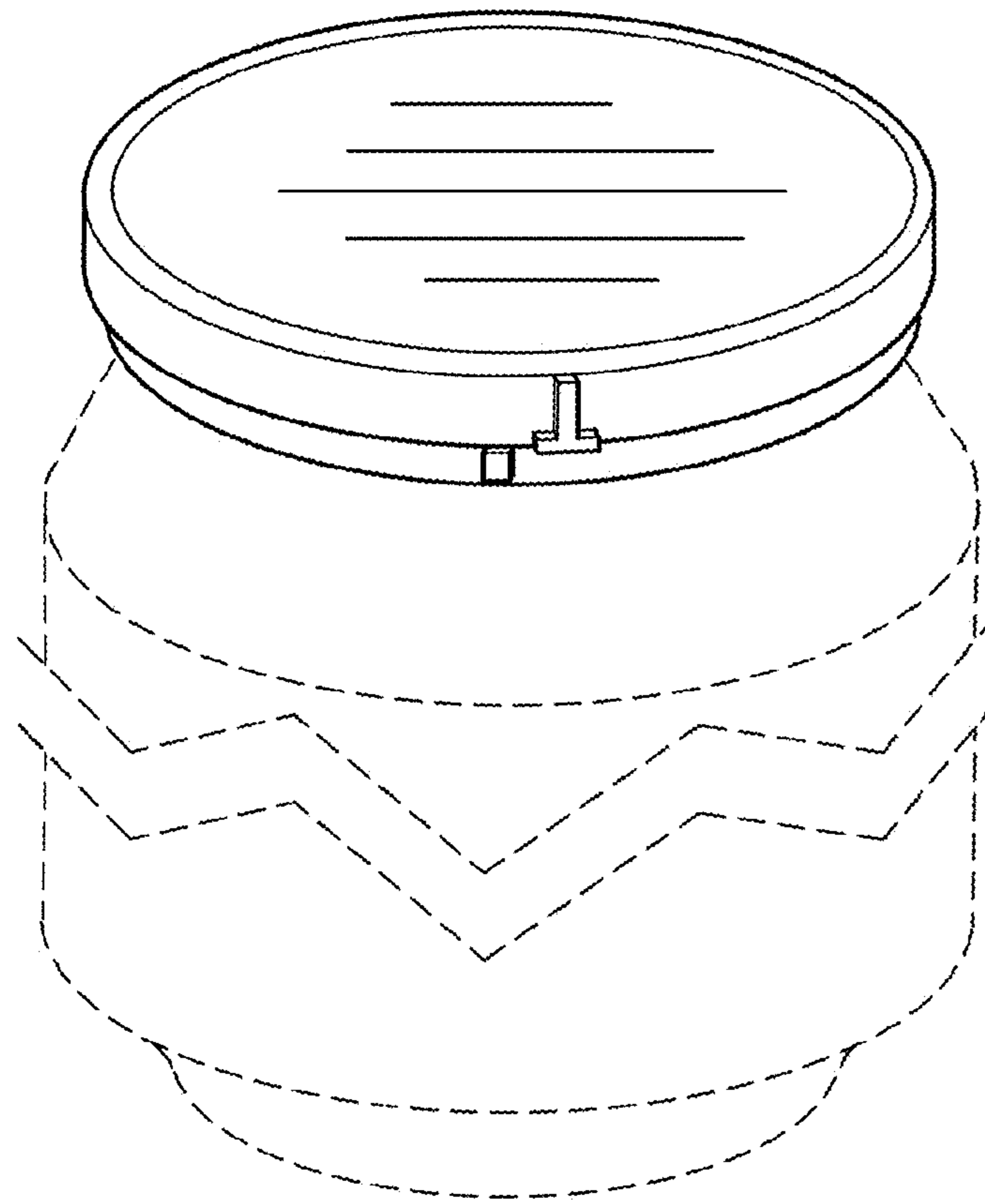


FIG. 1

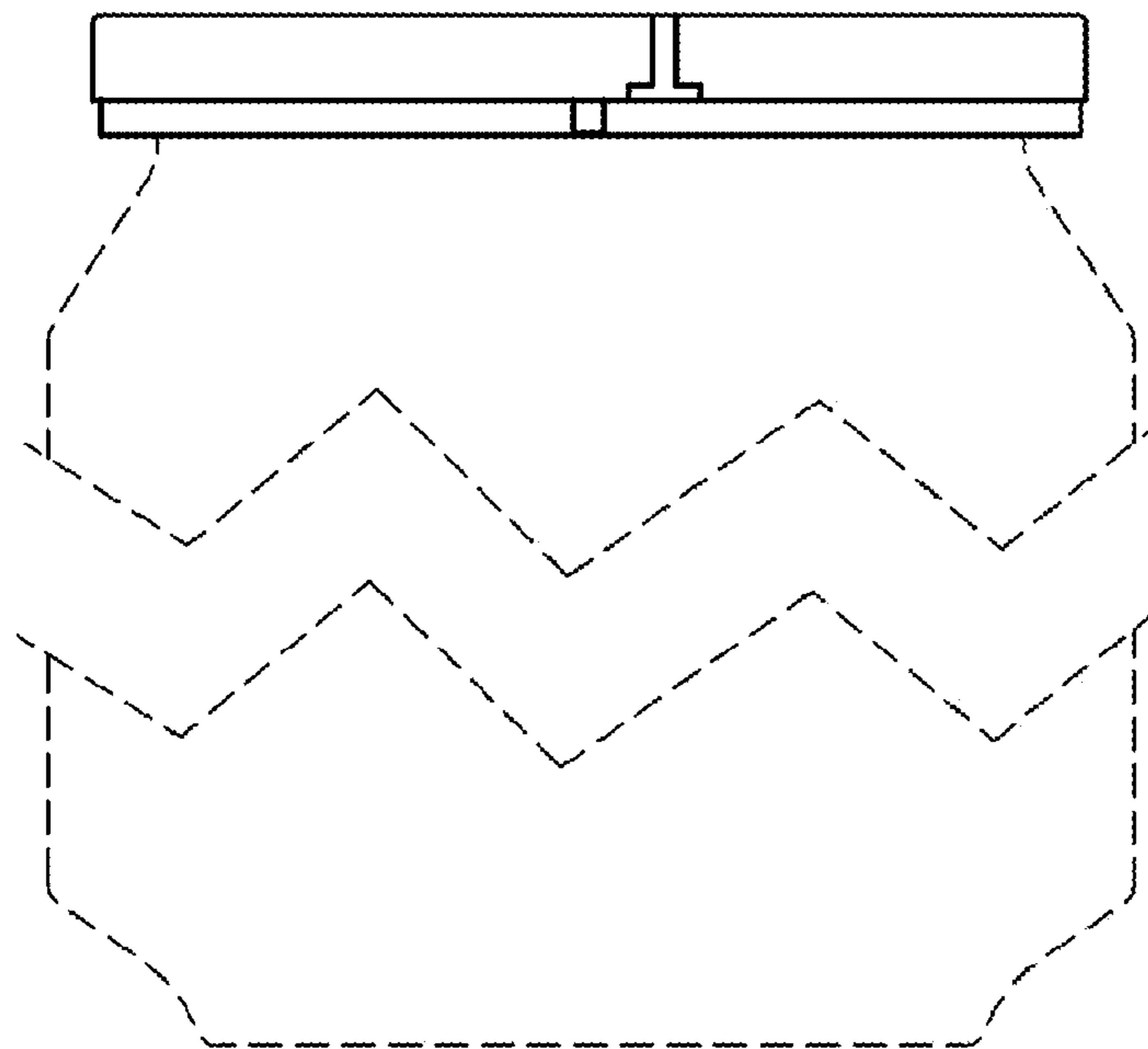


FIG. 2

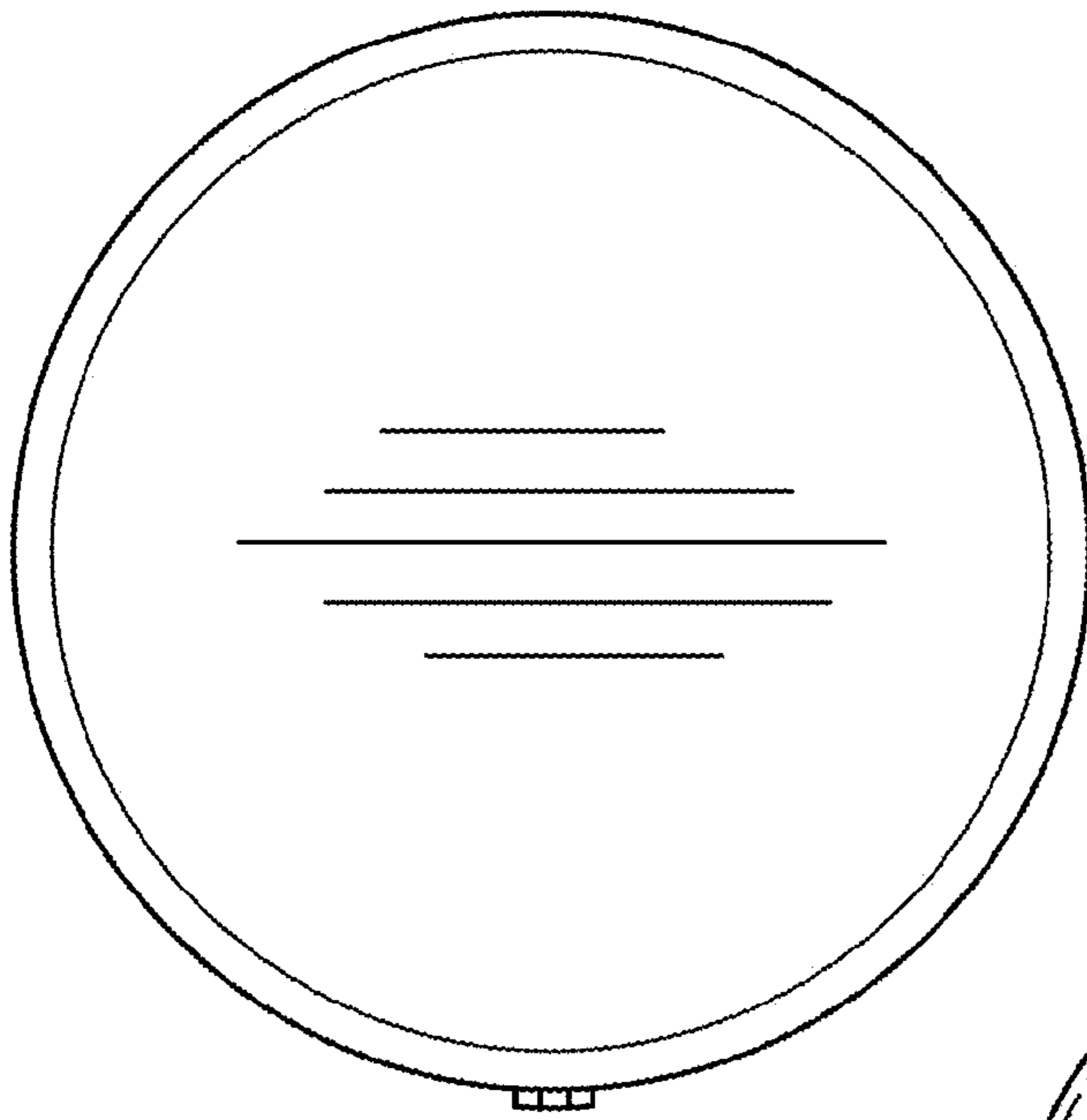


FIG. 3

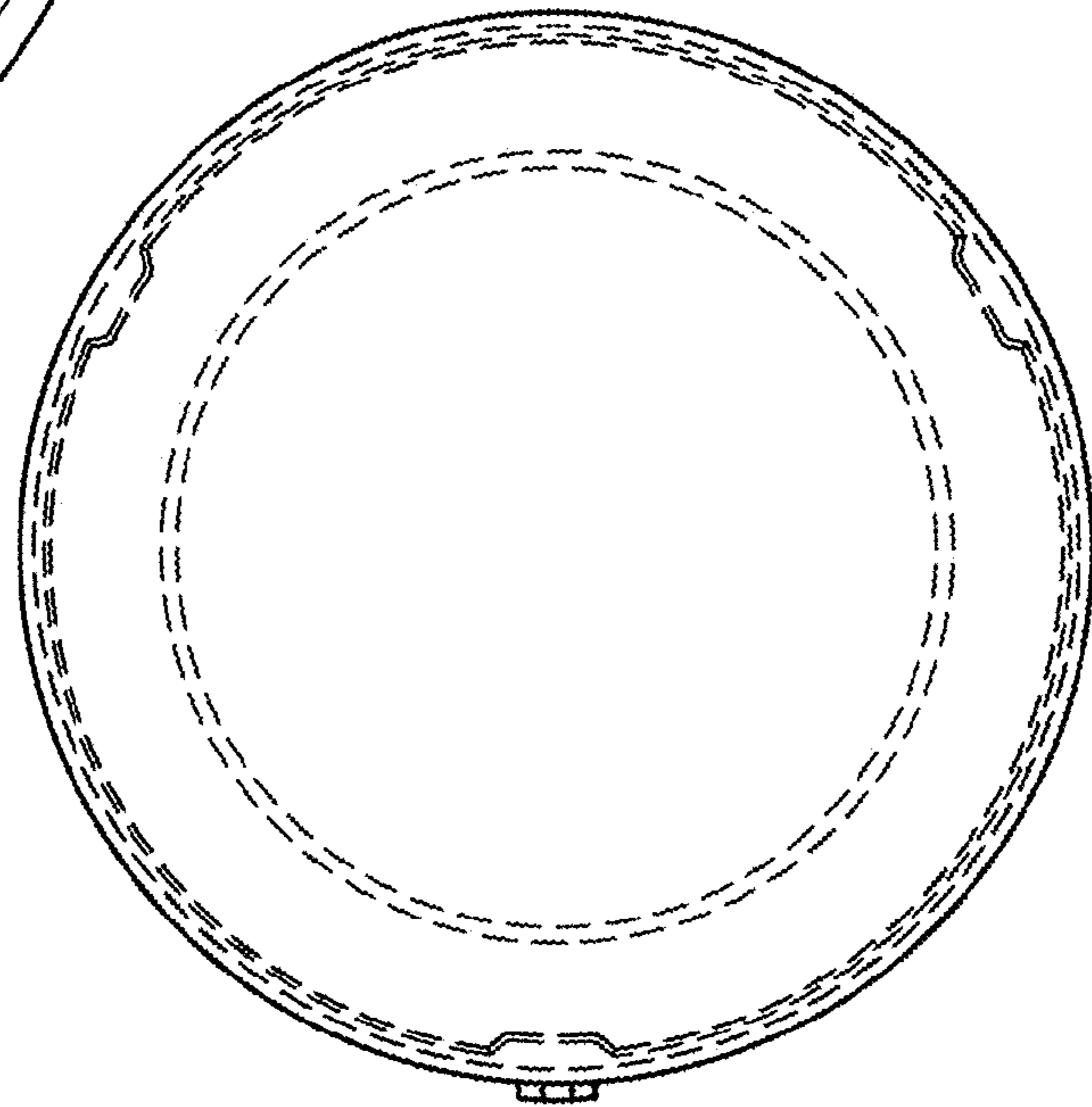


FIG. 4



FIG. 5



FIG. 6



FIG. 7

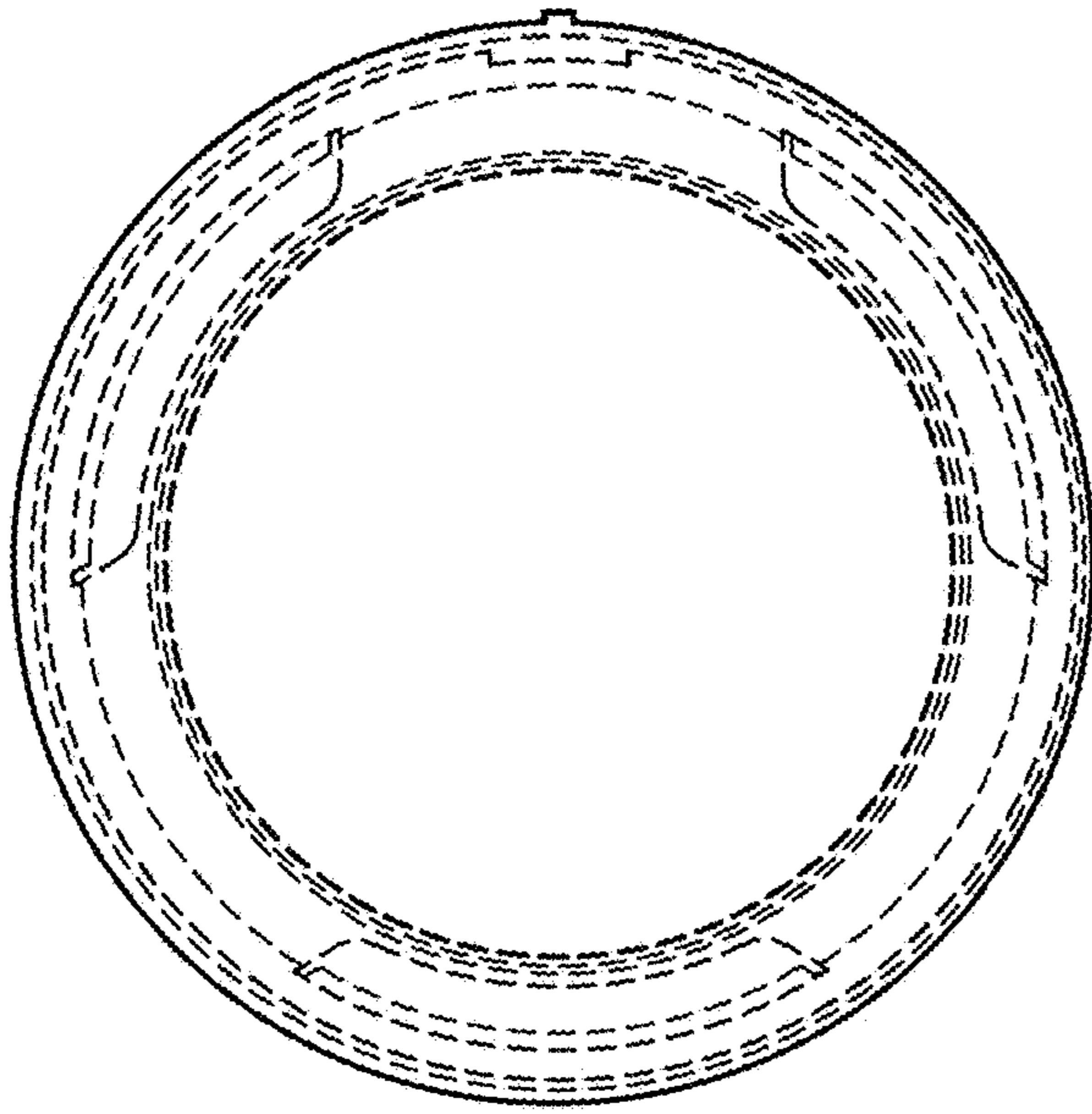


FIG. 8

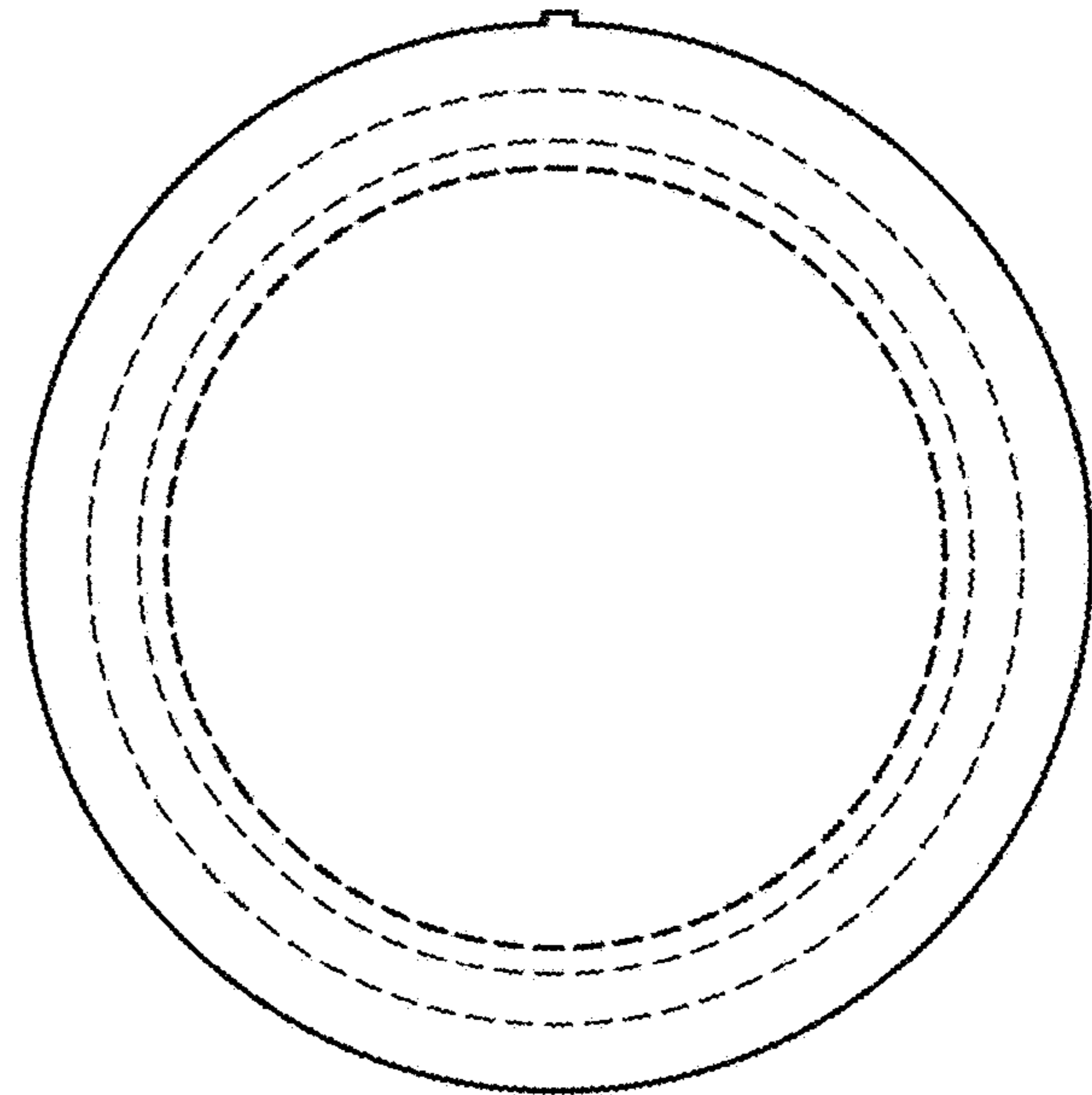


FIG. 9



FIG. 10



FIG. 11



FIG. 12