



US00D891173S

(12) **United States Design Patent** (10) **Patent No.:** **US D891,173 S**
Saubert et al. (45) **Date of Patent:** **** Jul. 28, 2020**

(54) **STAND MIXER**

B28C 5/10; B28C 5/12; B28C 5/14;
B28C 5/16

(71) Applicant: **TRANSFORM SR BRANDS LLC**,
Hoffman Estates, IL (US)

See application file for complete search history.

(72) Inventors: **Michael Saubert**, Hoffman Estates, IL
(US); **Michael Seskauskas**, Lemont, IL
(US)

(56) **References Cited**

U.S. PATENT DOCUMENTS

(73) Assignee: **TRANSFORM SR BRANDS LLC**,
Hoffman Estates, IL (US)

D436,497 S	1/2001	Nalbandian	
D499,604 S	12/2004	Hooper	
D530,146 S	10/2006	Ball	
D533,017 S	12/2006	Wilson	
D612,195 S	3/2010	Liu	
D623,468 S *	9/2010	Liu	D7/378
D632,922 S	2/2011	Grigor	
D633,334 S	3/2011	Kaiser	
D677,520 S *	3/2013	Choi	D7/376
8,876,366 B2 *	11/2014	Saubert	A47J 43/0705 366/197
8,985,839 B2 *	3/2015	Seidler	A47J 43/0705 366/146
D728,304 S	5/2015	Weaden	
D743,735 S	11/2015	Weaden	
D748,428 S	2/2016	Yuan	
D758,125 S *	6/2016	Jeong	D7/376

(**) Term: **15 Years**

(21) Appl. No.: **29/716,451**

(22) Filed: **Dec. 10, 2019**

(Continued)

Related U.S. Application Data

(63) Continuation of application No. 29/663,882, filed on
Sep. 19, 2018, now Pat. No. Des. 869,226.

Primary Examiner — Ricky Pham

(51) **LOC (12) Cl.** **31-00**

(74) *Attorney, Agent, or Firm* — McAndrews, Held &
Malloy, Ltd.

(52) **U.S. Cl.**
USPC **D7/379**; D7/376; D7/384

(57) **CLAIM**

(58) **Field of Classification Search**

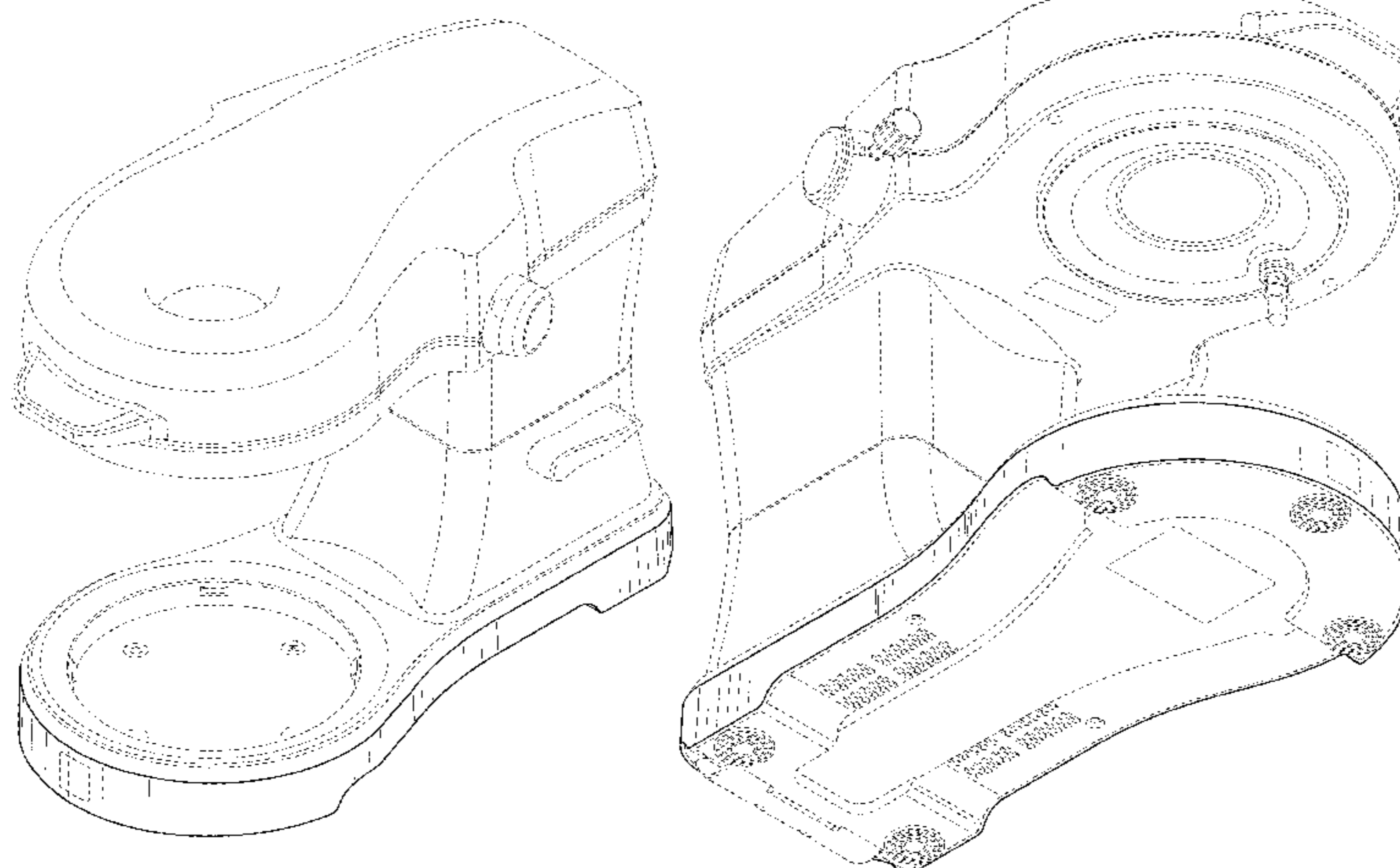
The ornamental design for a stand mixer, as shown and
described.

USPC D7/372, 376–386, 412–413, 602, 629,
D7/665–666, 669, 679, 693–694
CPC A21C 1/02; A21C 1/04; A23N 1/00; A23N
1/02; A47J 43/04; A47J 43/25; A47J
43/27; A47J 43/042; A47J 43/044; A47J
43/046; A47J 43/075; A47J 43/0705;
A47J 43/0722; A47J 43/0727; B01F 3/00;
B01F 3/0807; B01F 3/0853; B01F
13/0059; B01F 13/0064; B02C 1/08;
B02C 2/04; B02C 4/42; B02C 4/142;
B02C 4/143; B02C 4/423; B02C 13/1835;

DESCRIPTION

FIG. 1 is a top-front perspective view of a stand mixer
showing our new design;
FIG. 2 is a front elevation view thereof;
FIG. 3 is a rear elevation view thereof;
FIG. 4 is a right side elevation view thereof;
FIG. 5 is a left side elevation thereof;
FIG. 6 is a top plan view thereof;
FIG. 7 is a bottom plan view thereof;
FIG. 8 is a bottom-rear perspective view thereof; and,
FIG. 9 is a bottom-front perspective view thereof.

(Continued)



The dashed broken lines in the figures illustrate portions of the stand mixer that form no part of the claimed design.

1 Claim, 8 Drawing Sheets

(56)

References Cited

U.S. PATENT DOCUMENTS

D818,761 S *	5/2018	Wang	D7/378
D818,763 S *	5/2018	Bock	D7/379
D830,114 S *	10/2018	Fung	D7/379
D851,442 S	6/2019	Saubert	
D851,443 S	6/2019	Saubert	
D859,911 S *	9/2019	Steiner	D7/379
D868,531 S *	12/2019	Wong	D7/379
D869,225 S *	12/2019	Saubert	D7/379
D869,226 S *	12/2019	Saubert	D7/379
2009/0067279 A1 *	3/2009	Mulle	A21C 1/02 366/142
2011/0122723 A1	5/2011	Saubert	

* cited by examiner

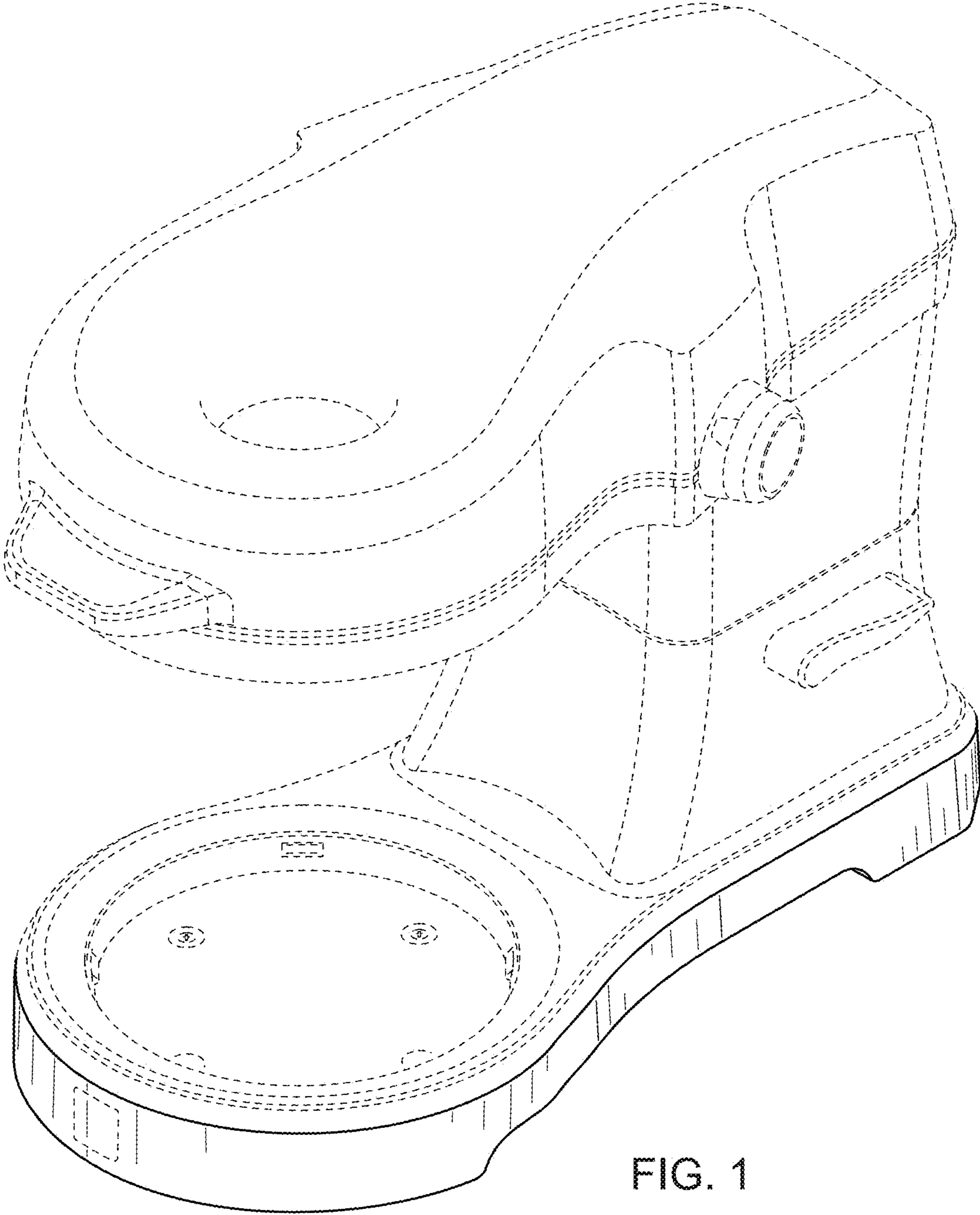


FIG. 1

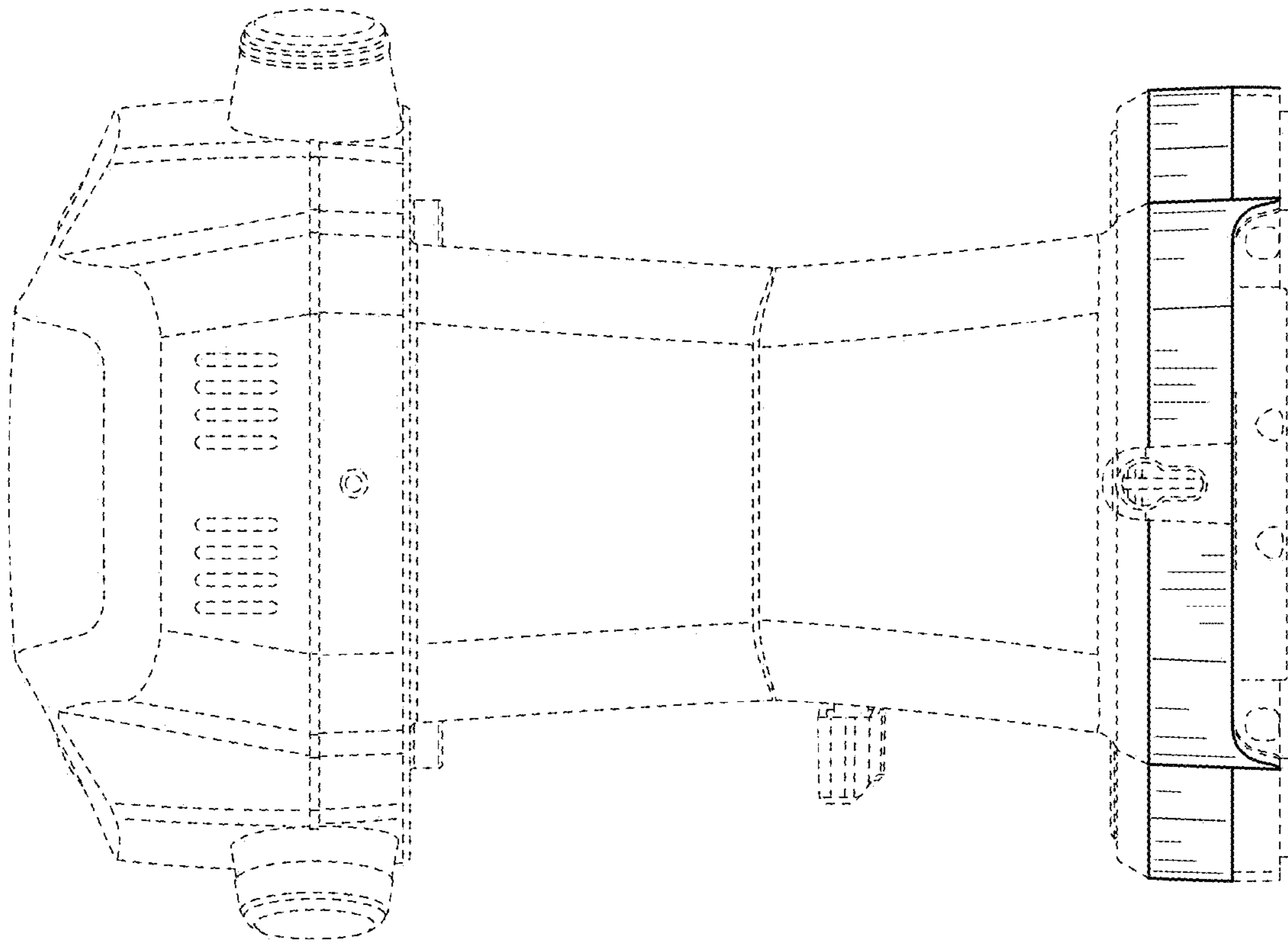


FIG. 3

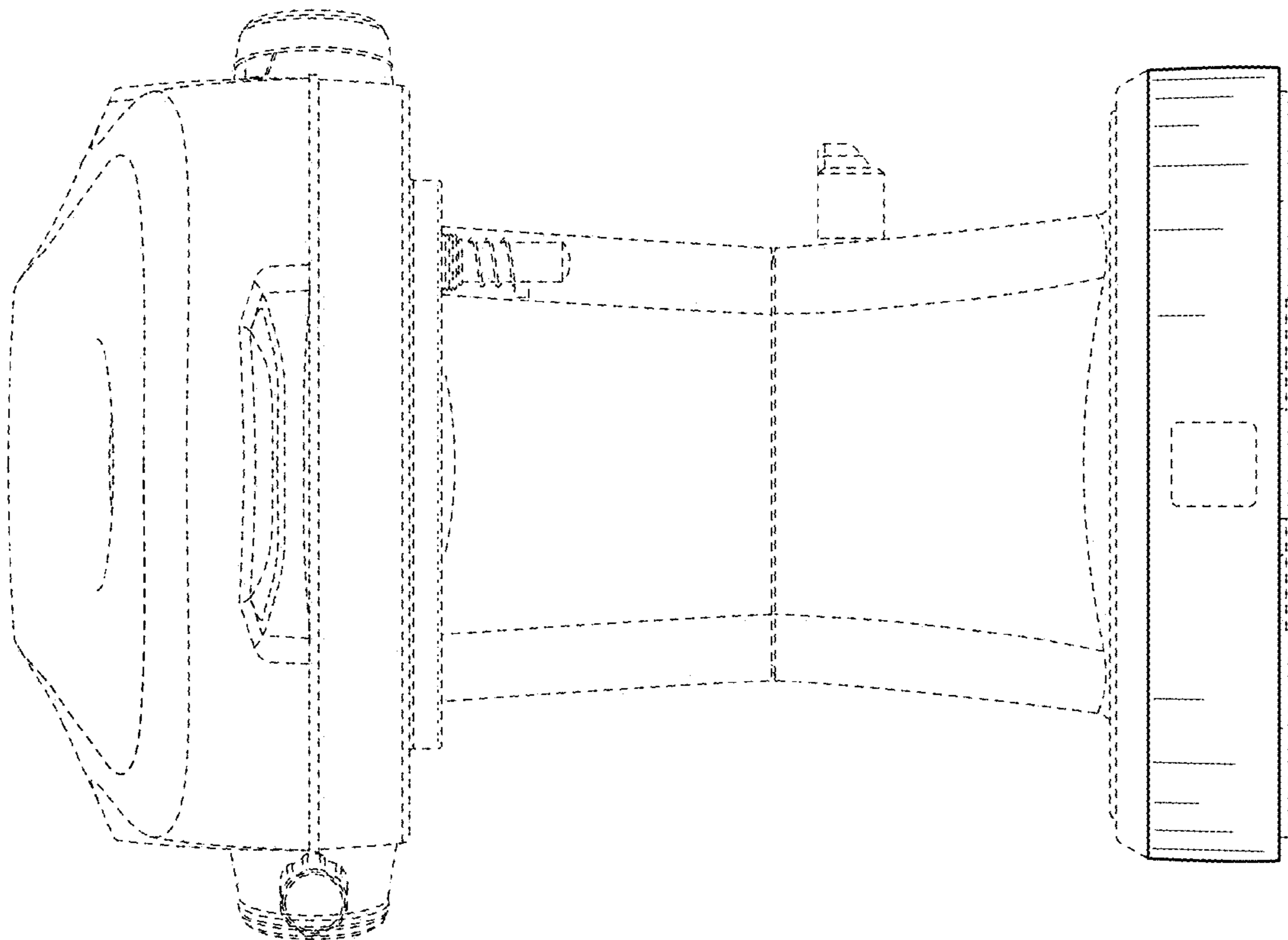


FIG. 2

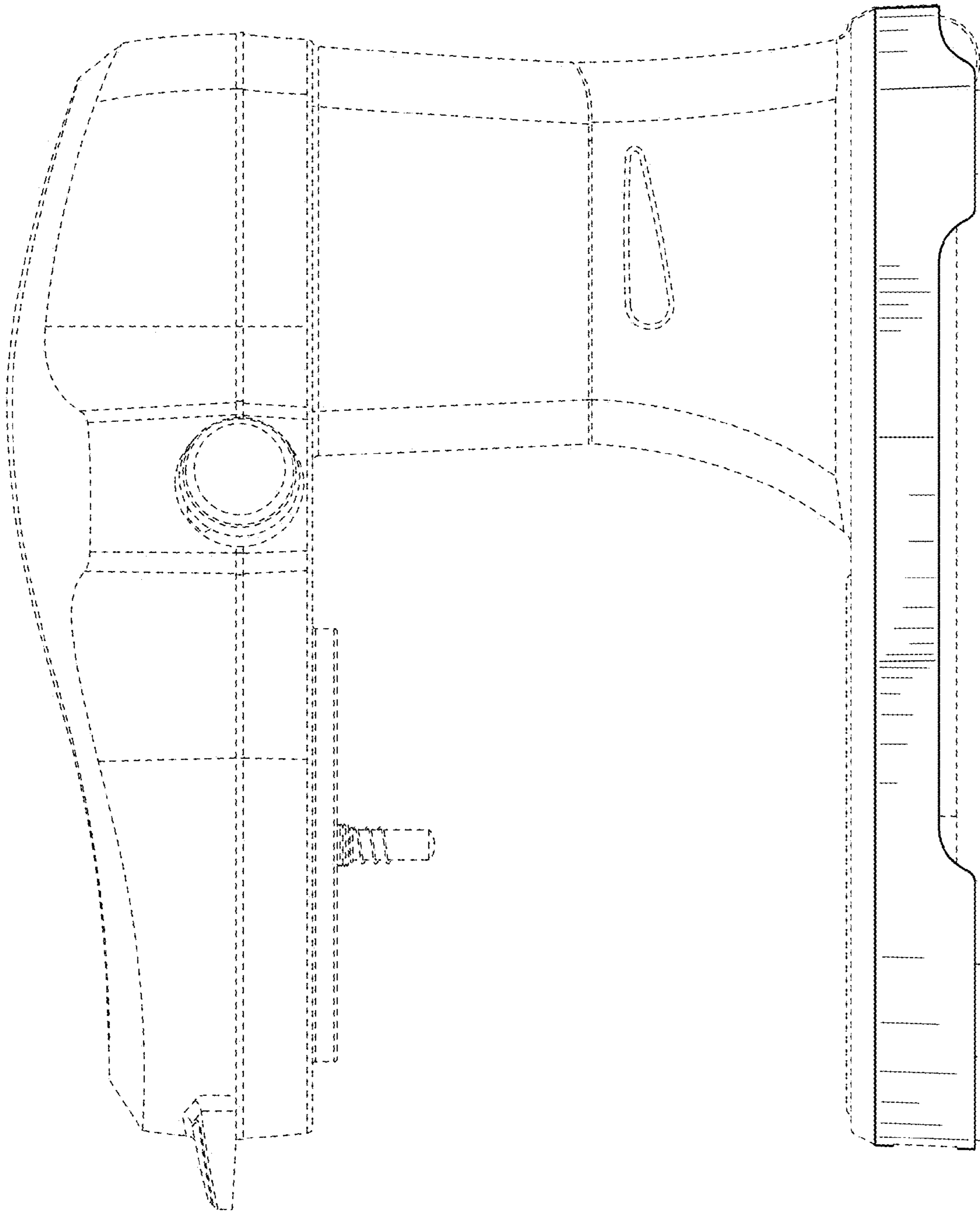


FIG. 4

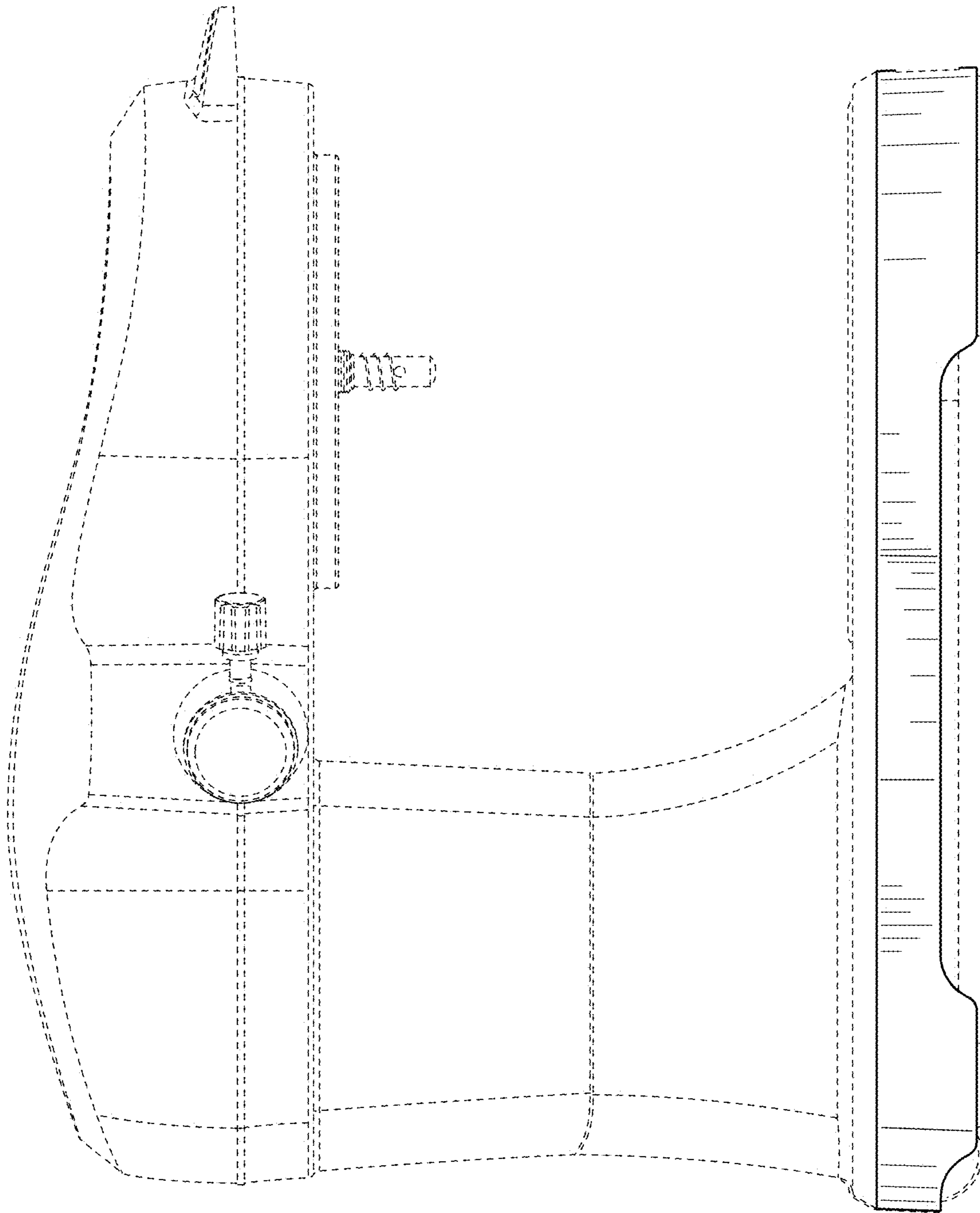


FIG. 5

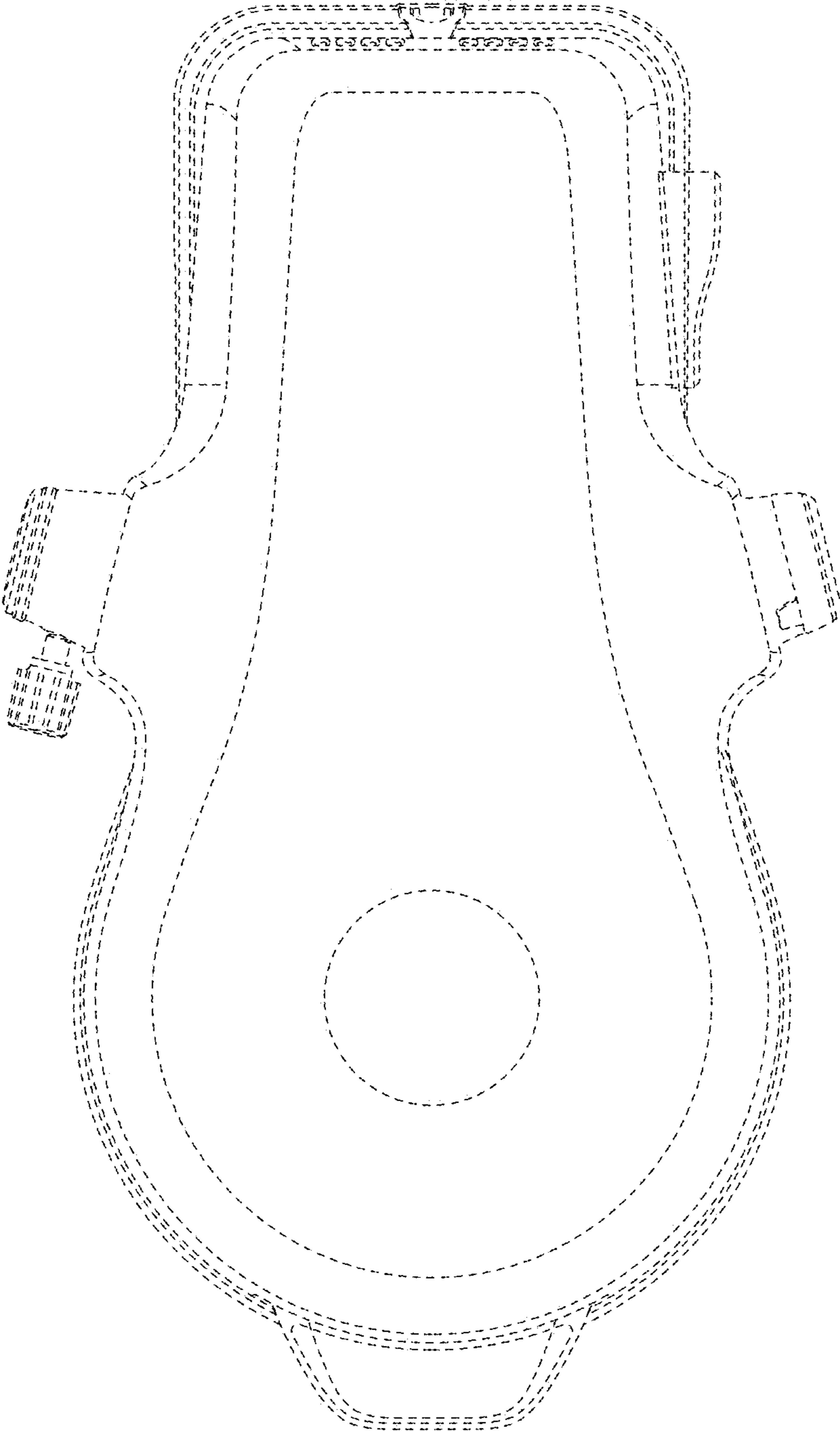


FIG. 6

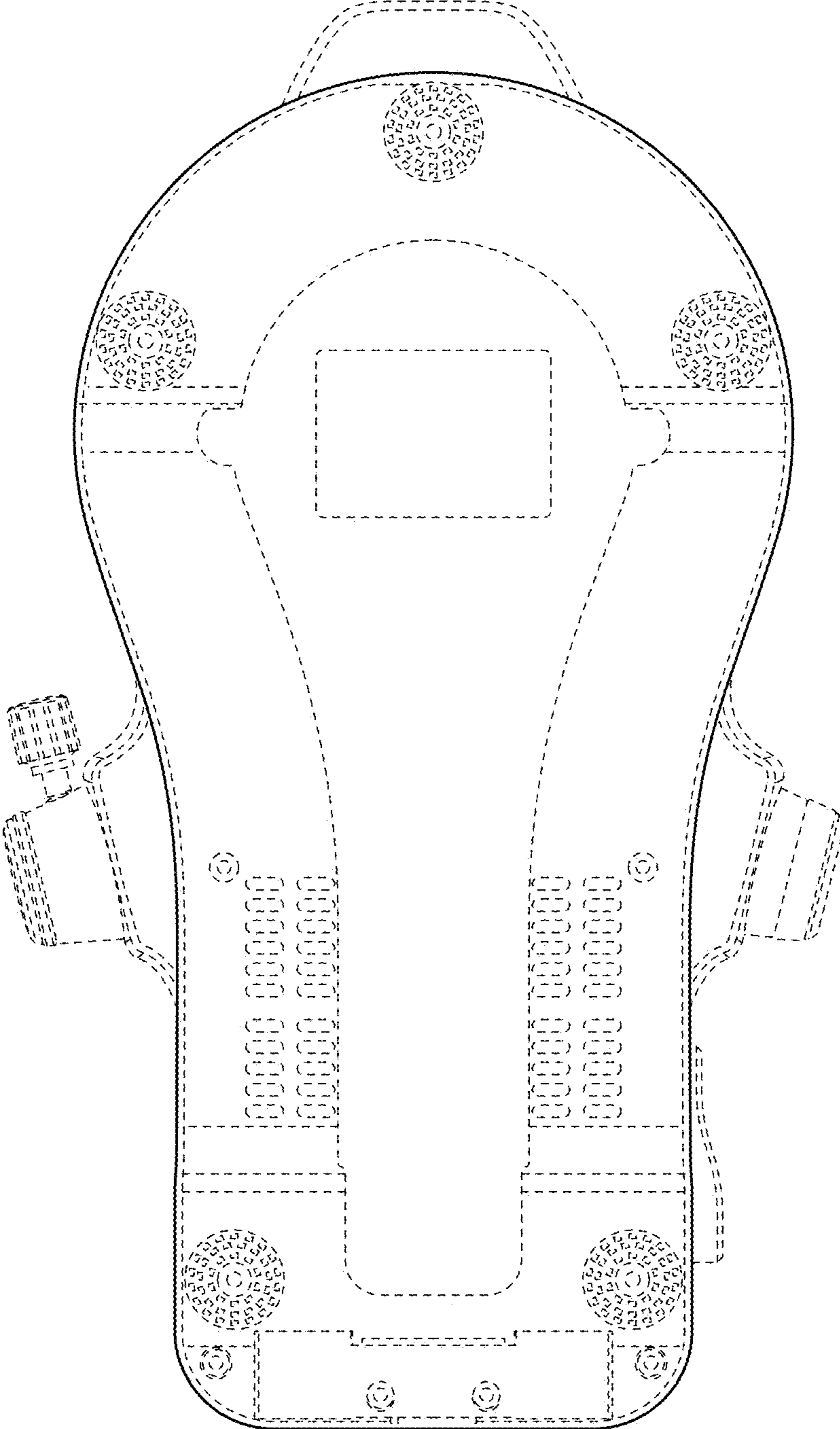


FIG. 7

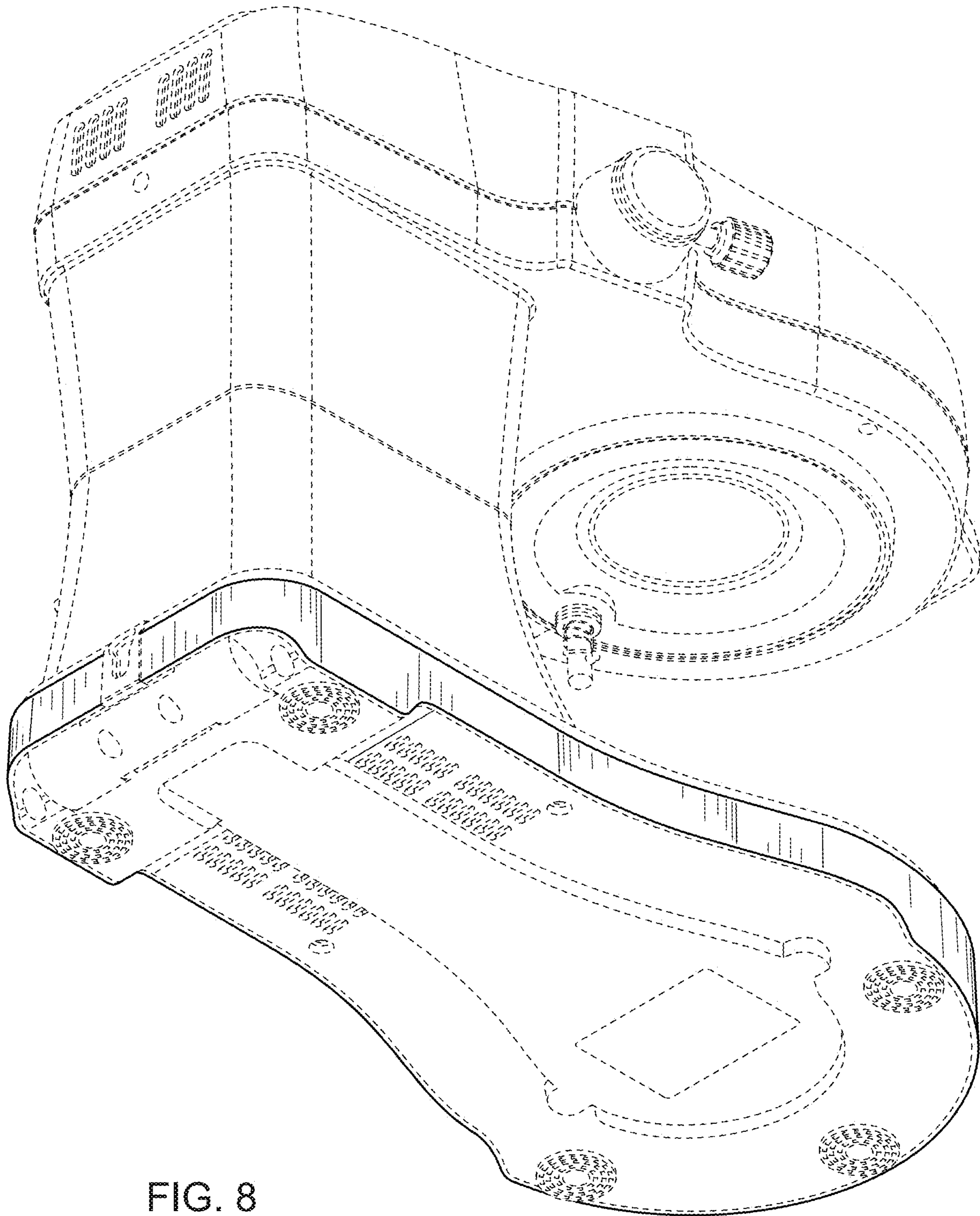


FIG. 8

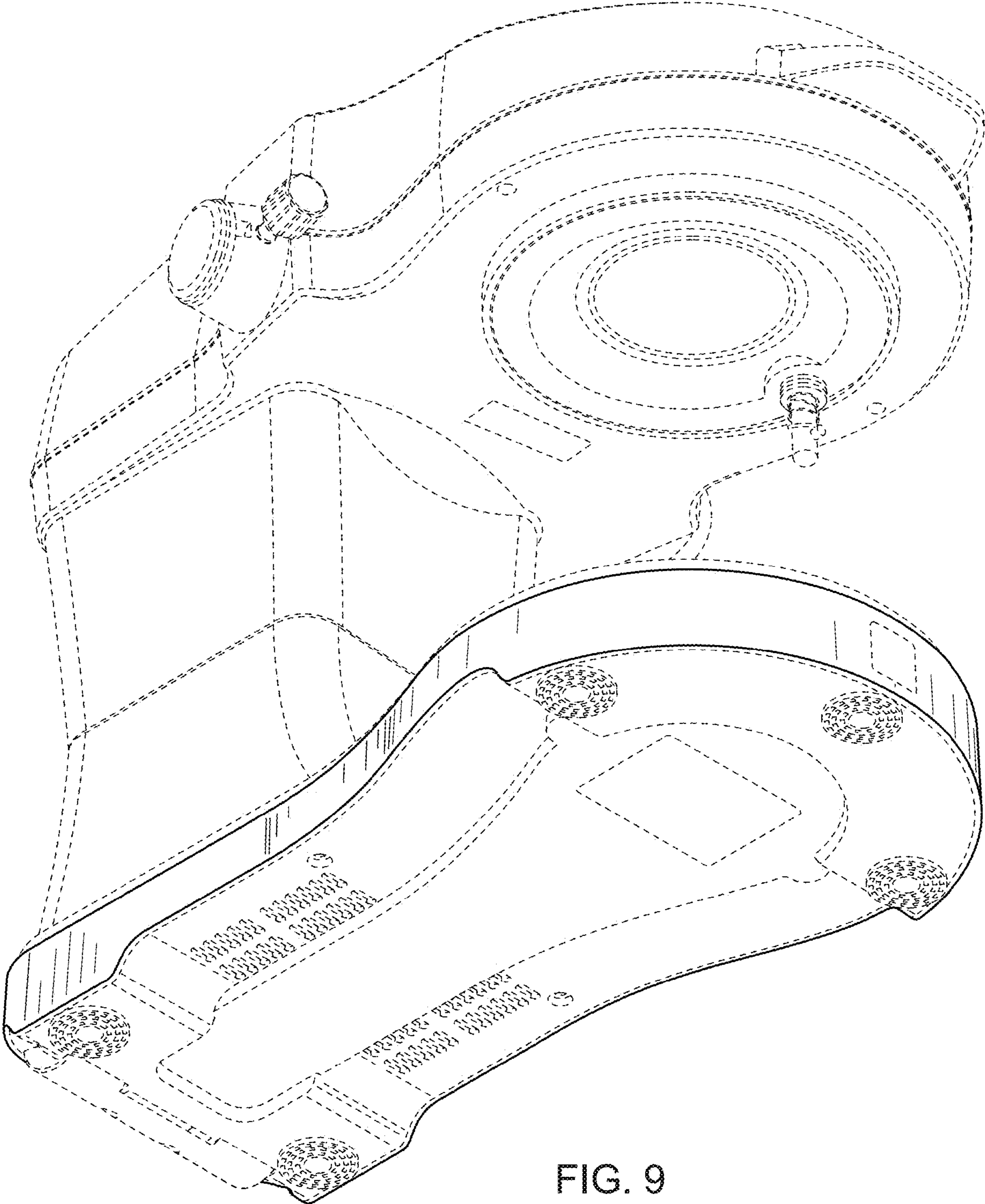


FIG. 9