

US00D891172S

(12) **United States Design Patent** (10) **Patent No.:** **US D891,172 S**  
**Saubert et al.** (45) **Date of Patent:** **\*\* Jul. 28, 2020**

(54) **STAND MIXER**

- (71) Applicant: **TRANSFORM SR BRANDS LLC**,  
Hoffman Estates, IL (US)
- (72) Inventors: **Michael Saubert**, Hoffman Estates, IL  
(US); **Michael Seskauskas**, Lemont, IL  
(US)
- (73) Assignee: **TRANSFORM SR BRANDS LLC**,  
Hoffman Estates, IL (US)
- (\*\*) Term: **15 Years**
- (21) Appl. No.: **29/716,450**
- (22) Filed: **Dec. 10, 2019**

**Related U.S. Application Data**

- (63) Continuation of application No. 29/663,880, filed on  
Sep. 19, 2018, now Pat. No. Des. 869,225.
- (51) **LOC (12) Cl.** ..... **31-00**
- (52) **U.S. Cl.**  
USPC ..... **D7/379**; D7/376; D7/384
- (58) **Field of Classification Search**  
USPC ..... D7/372, 376–386, 412–413, 602, 629,  
D7/665–666, 669, 679, 693–694  
CPC .... A21C 1/02; A21C 1/04; A23N 1/00; A23N  
1/02; A47J 43/04; A47J 43/25; A47J  
43/27; A47J 43/042; A47J 43/044; A47J  
43/046; A47J 43/075; A47J 43/0705;  
A47J 43/0722; A47J 43/0727; B01F 3/00;  
B01F 3/0807; B01F 3/0853; B01F  
13/0059; B01F 13/0064; B02C 1/08;  
B02C 2/04; B02C 4/42; B02C 4/142;  
B02C 4/143; B02C 4/423; B02C 13/1835;  
B28C 5/10; B28C 5/12; B28C 5/14;  
B28C 5/16

See application file for complete search history.

(56) **References Cited**

U.S. PATENT DOCUMENTS

D436,497 S	1/2001	Nalbandian	
D499,604 S	12/2004	Hooper	
D530,146 S	10/2006	Ball	
D533,017 S	12/2006	Wilson	
D612,195 S	3/2010	Liu	
D623,468 S *	9/2010	Liu	D7/378
D632,922 S	2/2011	Grigor	
D633,334 S	3/2011	Kaiser	
D677,520 S *	3/2013	Choi	D7/376
8,876,366 B2 *	11/2014	Saubert	A47J 43/0705 366/197
8,985,839 B2 *	3/2015	Seidler	A47J 43/0705 366/146
D728,304 S	5/2015	Weaden	
D743,735 S	11/2015	Weaden	
D748,428 S	2/2016	Yuan	

(Continued)

*Primary Examiner* — Ricky Pham

(74) *Attorney, Agent, or Firm* — McAndrews, Held & Malloy, Ltd.

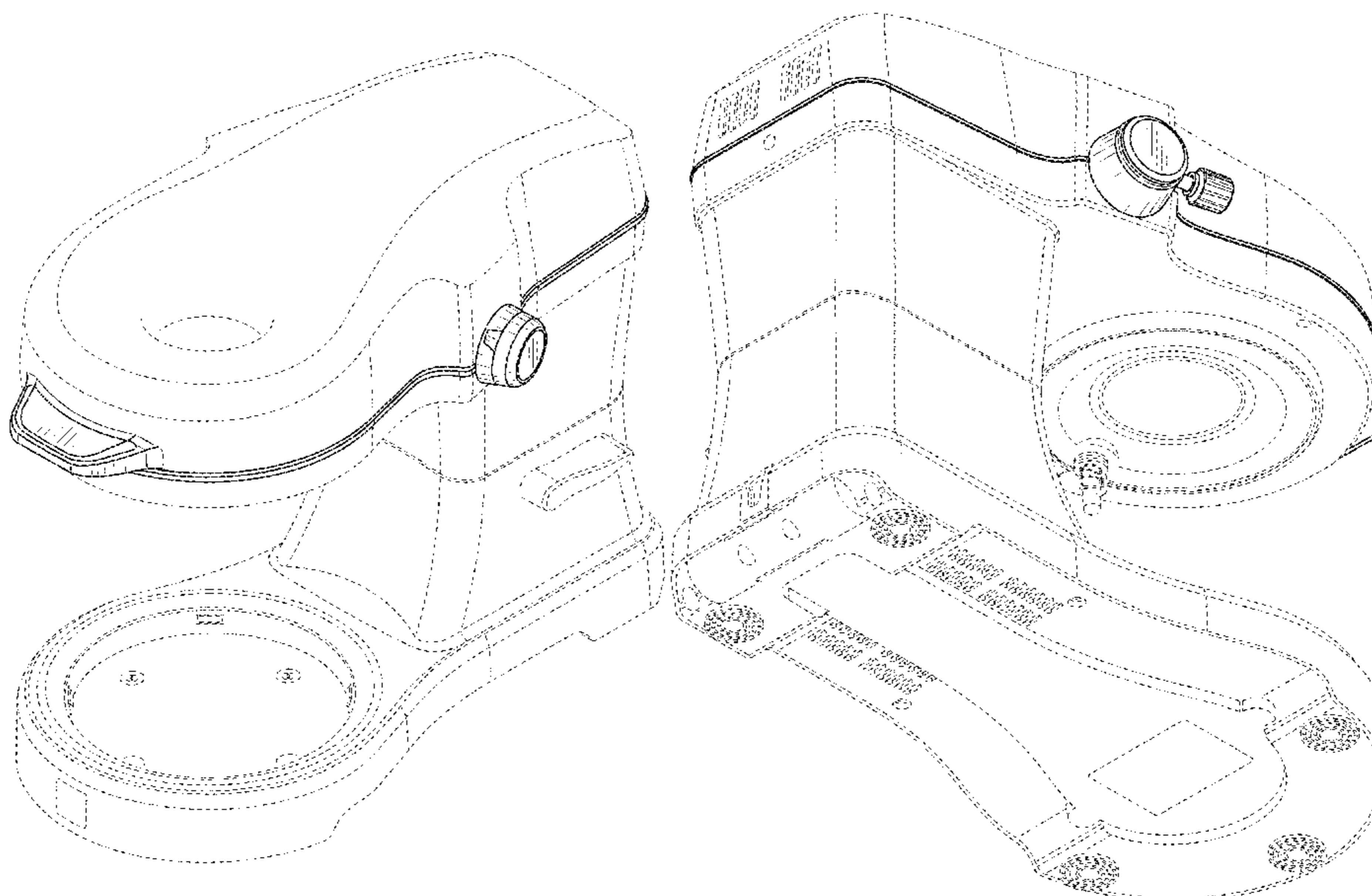
(57) **CLAIM**

The ornamental design for a stand mixer, as shown and described.

**DESCRIPTION**

FIG. 1 is a top-front perspective view of a stand mixer showing our new design;  
 FIG. 2 is another top-front perspective view thereof;  
 FIG. 3 is a front elevation view thereof;  
 FIG. 4 is a rear elevation view thereof;  
 FIG. 5 is a right side elevation view thereof;  
 FIG. 6 is a left side elevation thereof;  
 FIG. 7 is a top plan view thereof;  
 FIG. 8 is a bottom plan view thereof;  
 FIG. 9 is a bottom-rear perspective view thereof; and,  
 FIG. 10 is a bottom-front perspective view thereof.  
 The dashed broken lines in the figures illustrate portions of the stand mixer that form no part of the claimed design.

**1 Claim, 9 Drawing Sheets**



(56)

**References Cited**

U.S. PATENT DOCUMENTS

D758,125	S	*	6/2016	Jeong	.....	D7/376
D818,761	S	*	5/2018	Wang	.....	D7/378
D818,763	S	*	5/2018	Bock	.....	D7/379
D830,114	S	*	10/2018	Fung	.....	D7/379
D851,442	S		6/2019	Saubert		
D851,443	S		6/2019	Saubert		
D859,911	S	*	9/2019	Steiner	.....	D7/379
D868,531	S	*	12/2019	Wong	.....	D7/379
D869,225	S	*	12/2019	Saubert	.....	D7/379
D869,226	S	*	12/2019	Saubert	.....	D7/379
2009/0067279	A1	*	3/2009	Mulle	.....	A21C 1/02 366/142
2011/0122723	A1		5/2011	Saubert		

\* cited by examiner

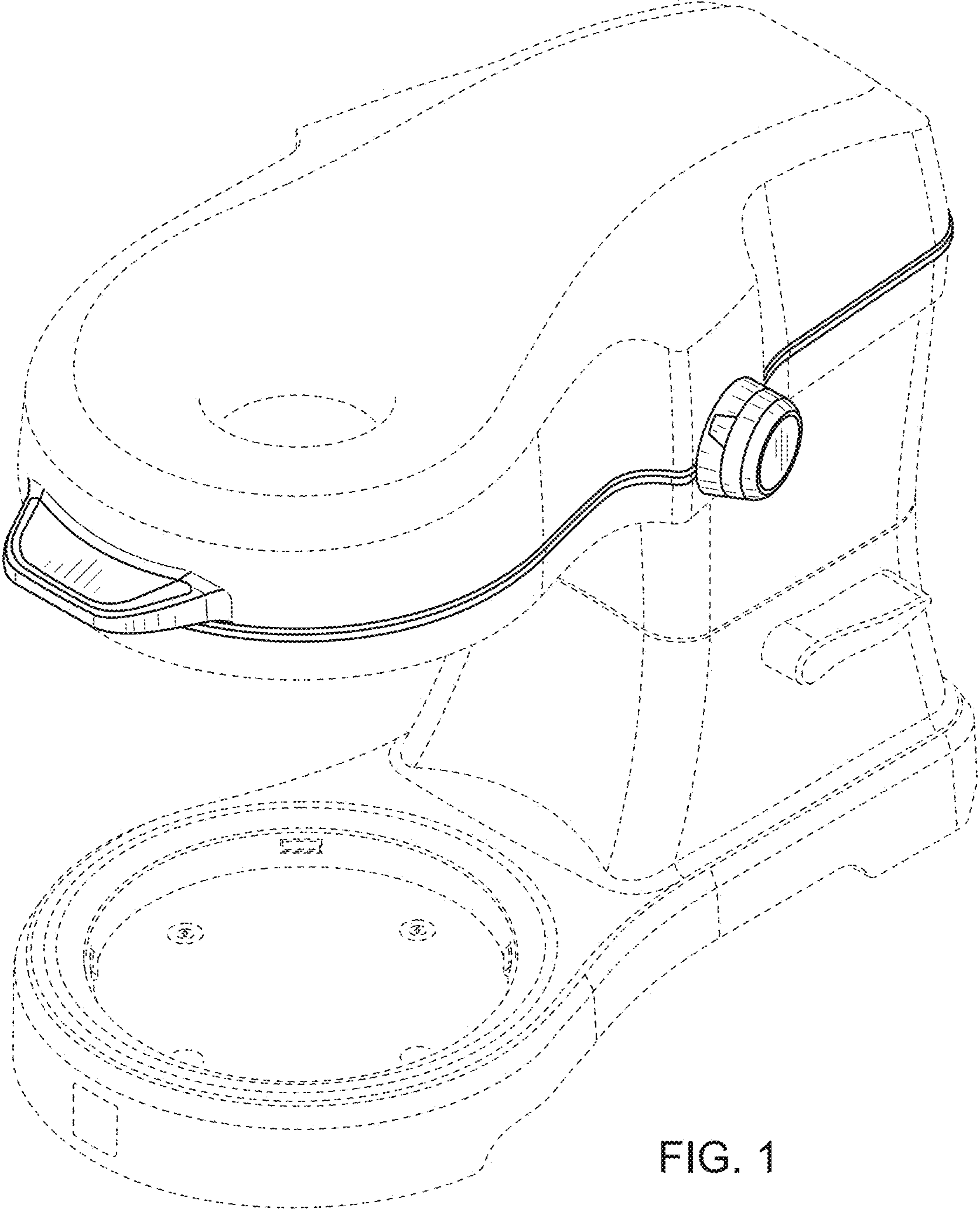


FIG. 1

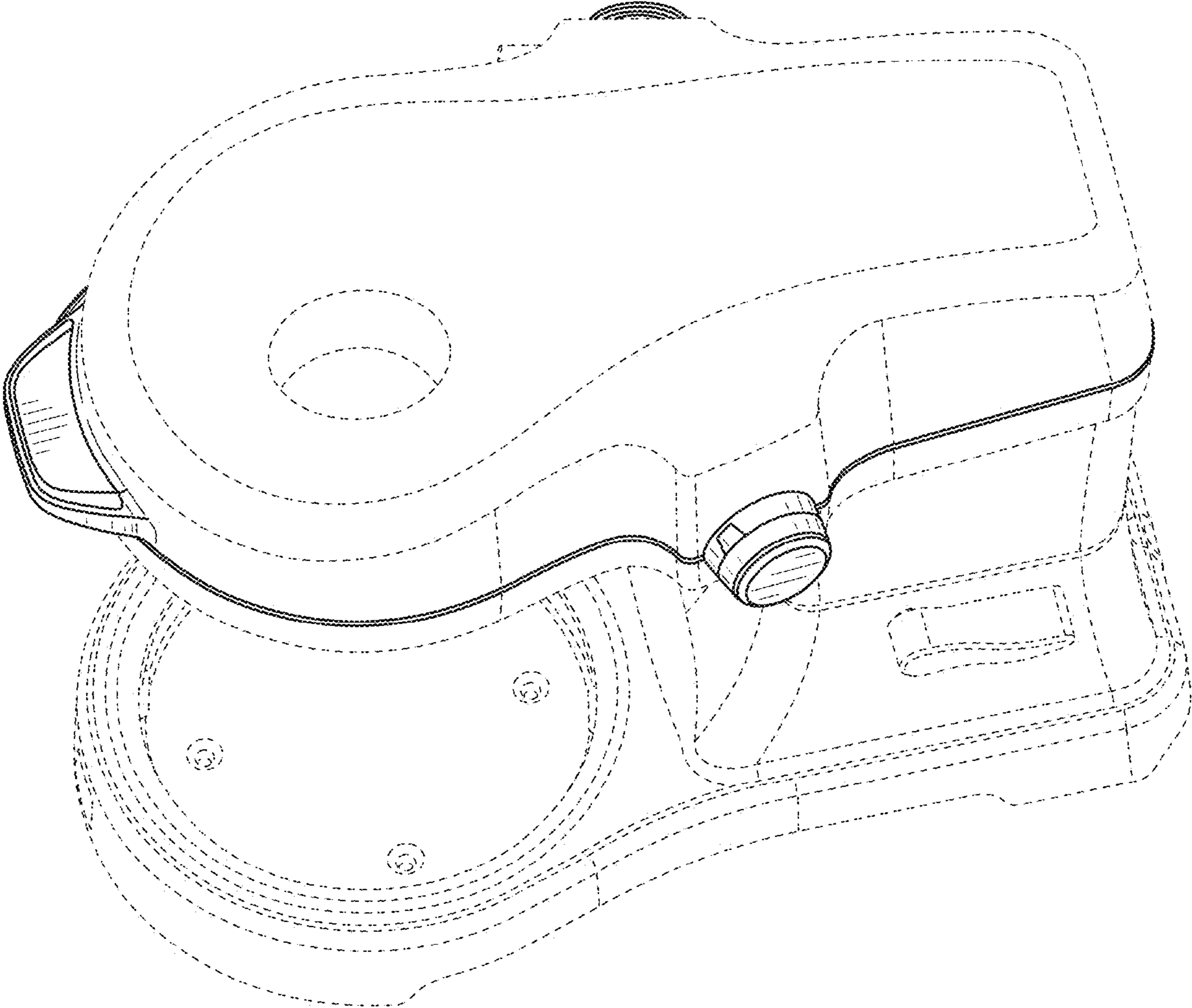


FIG. 2



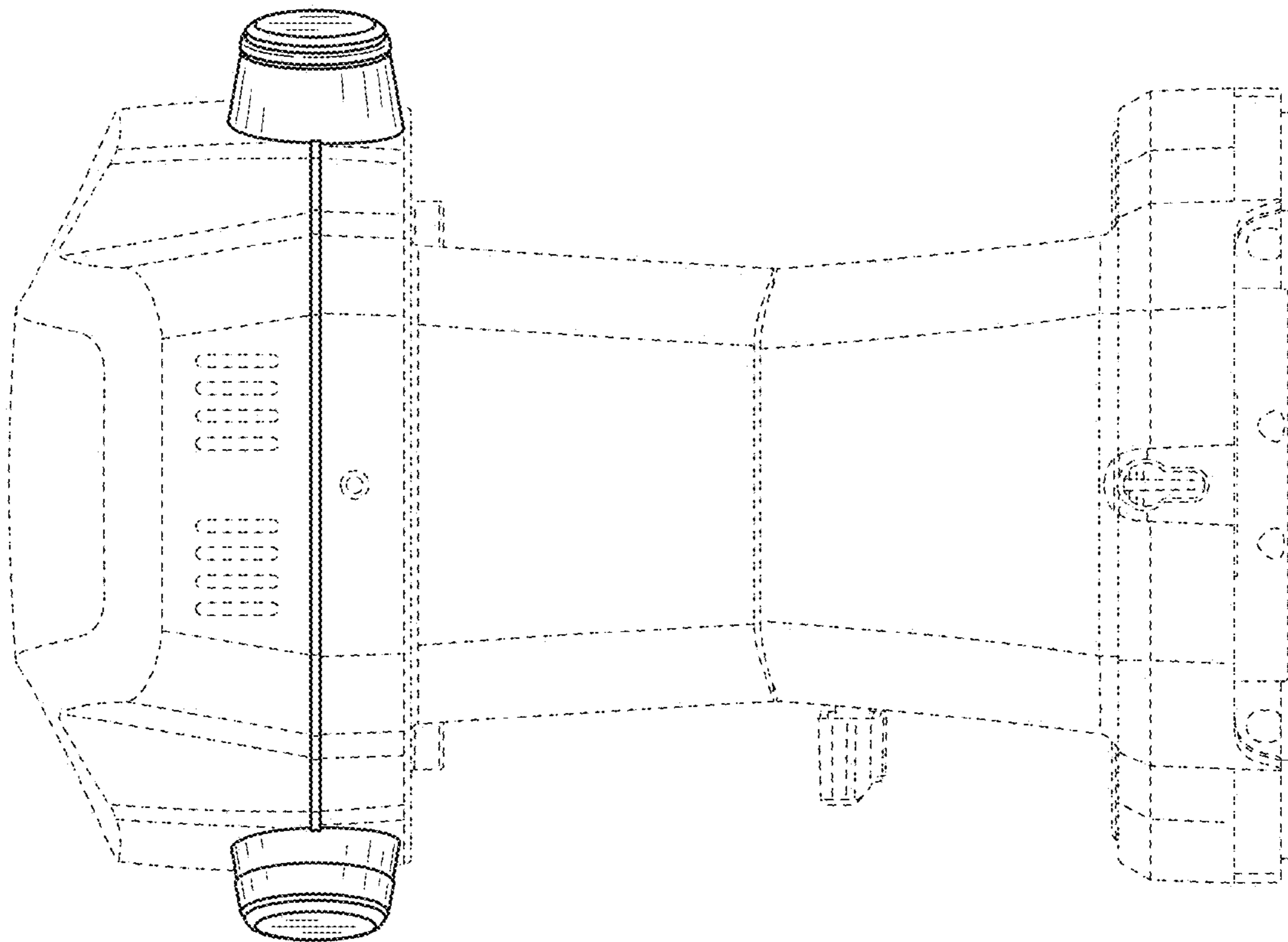


FIG. 4

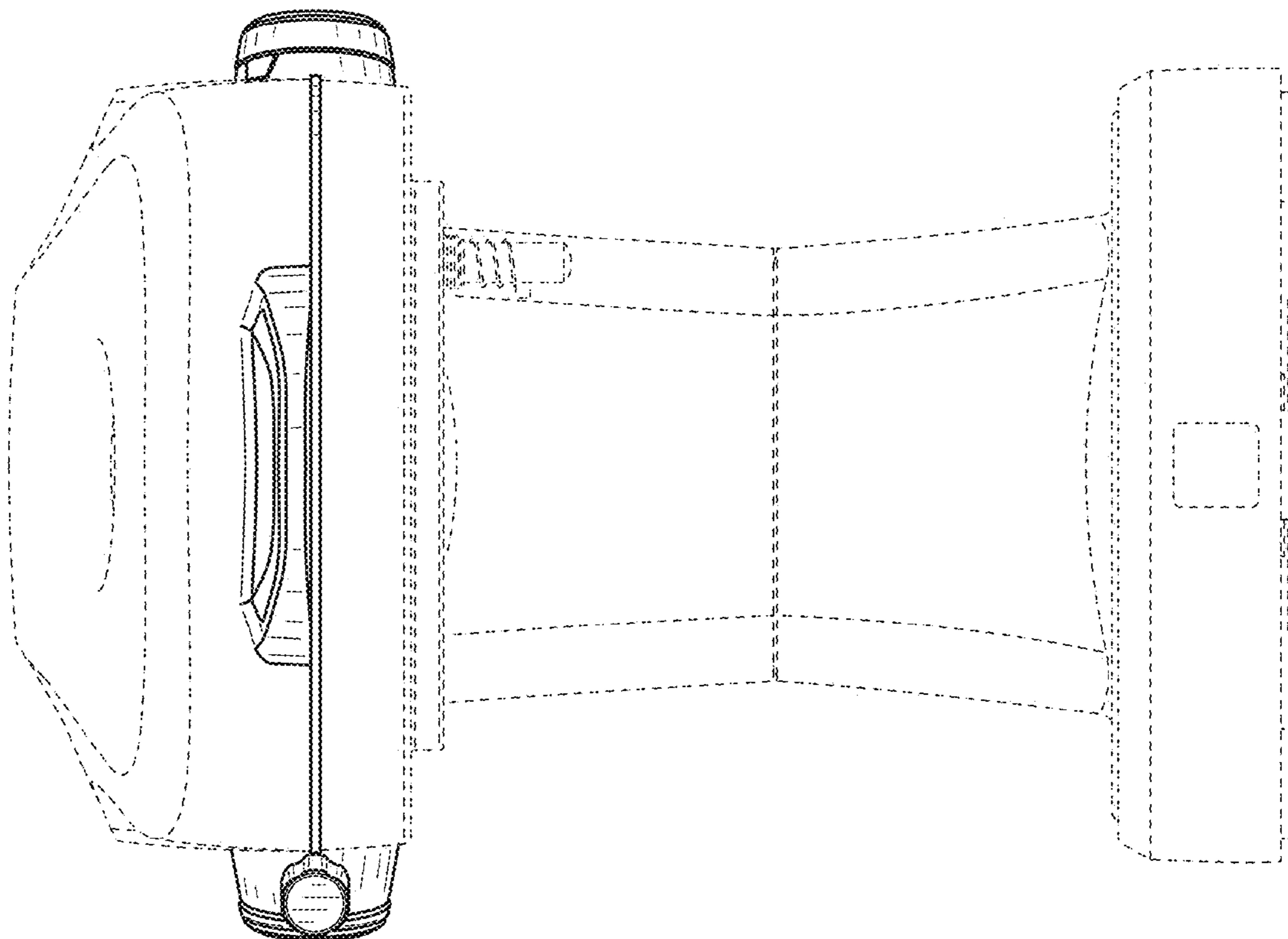


FIG. 3

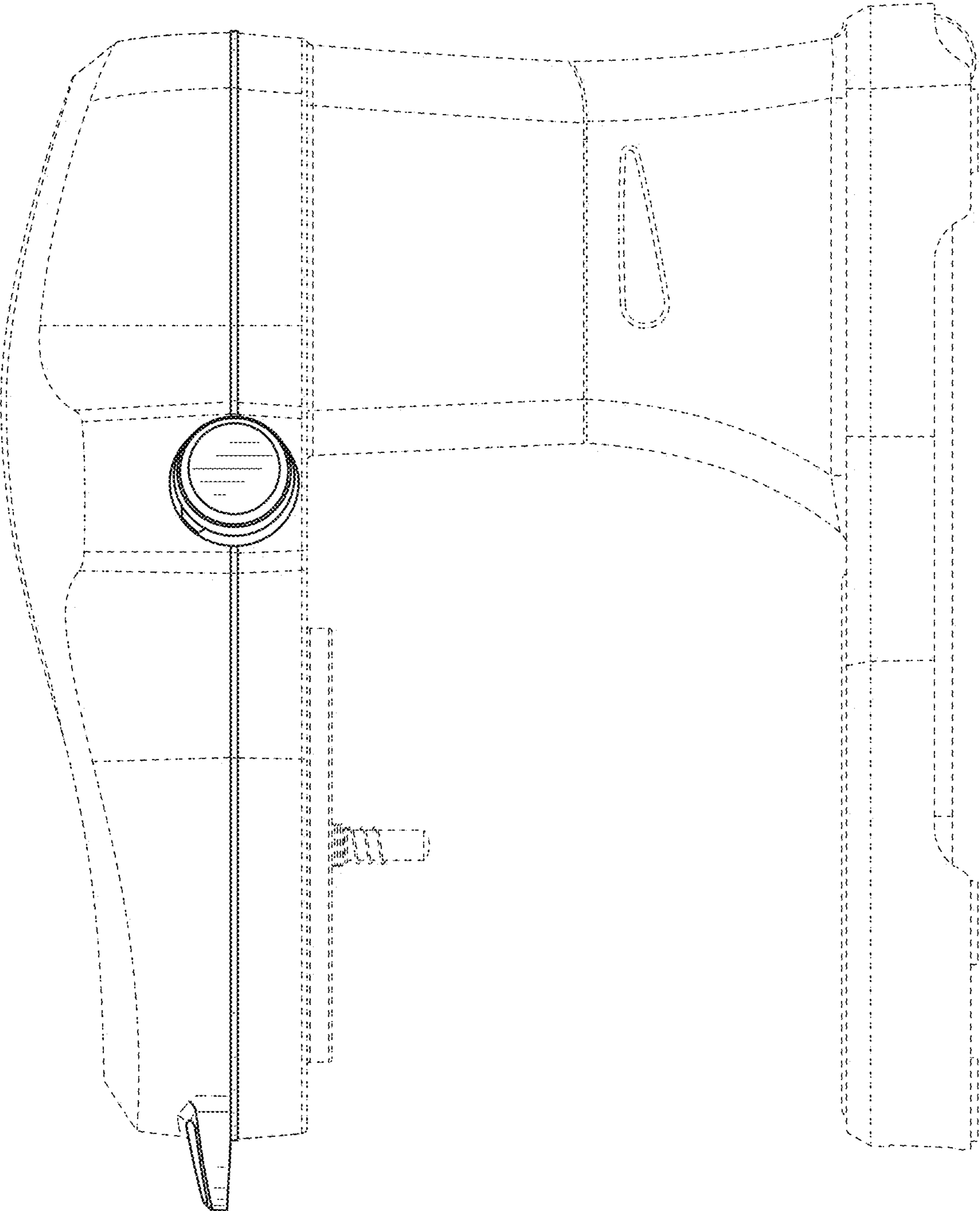


FIG. 5

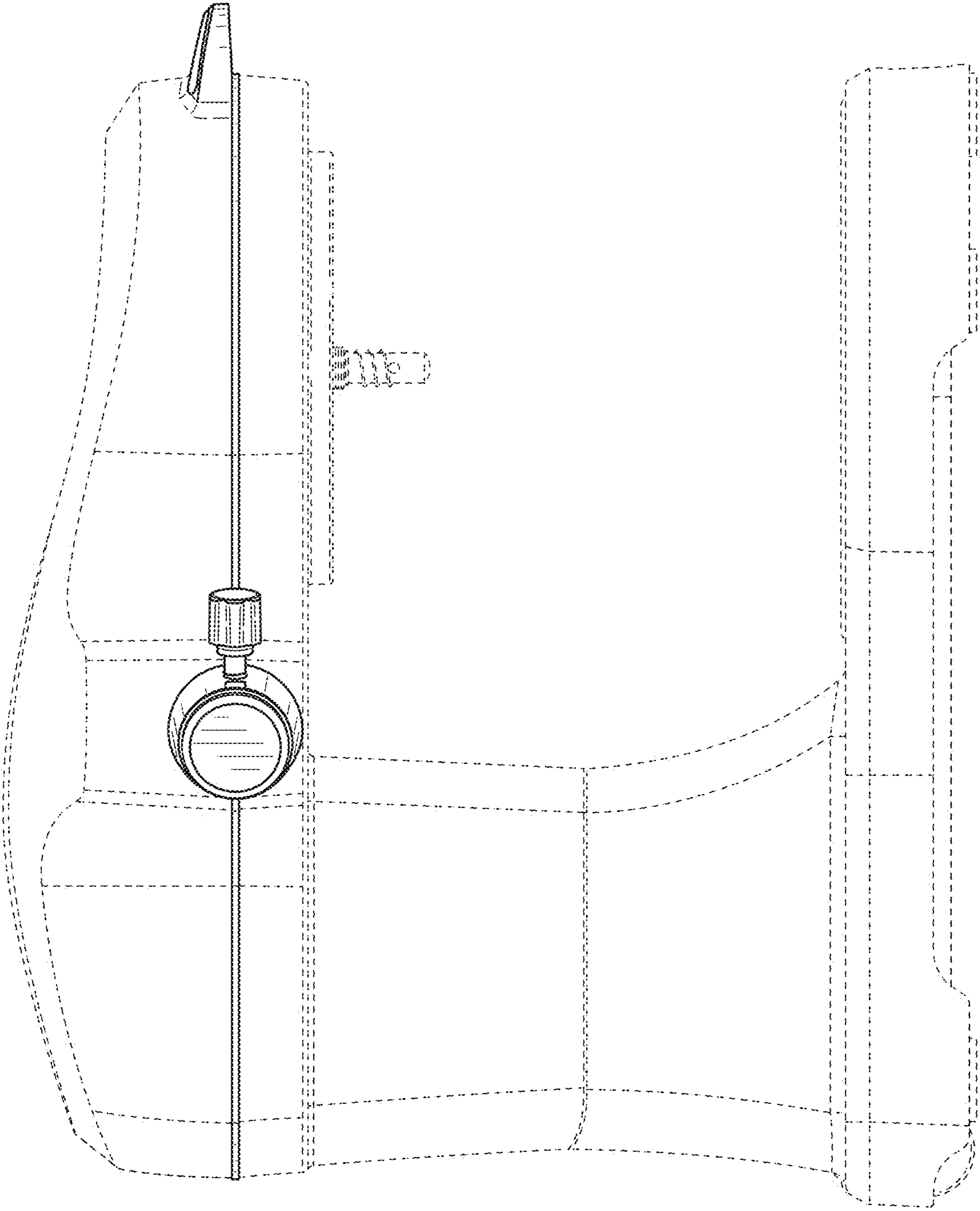


FIG. 6

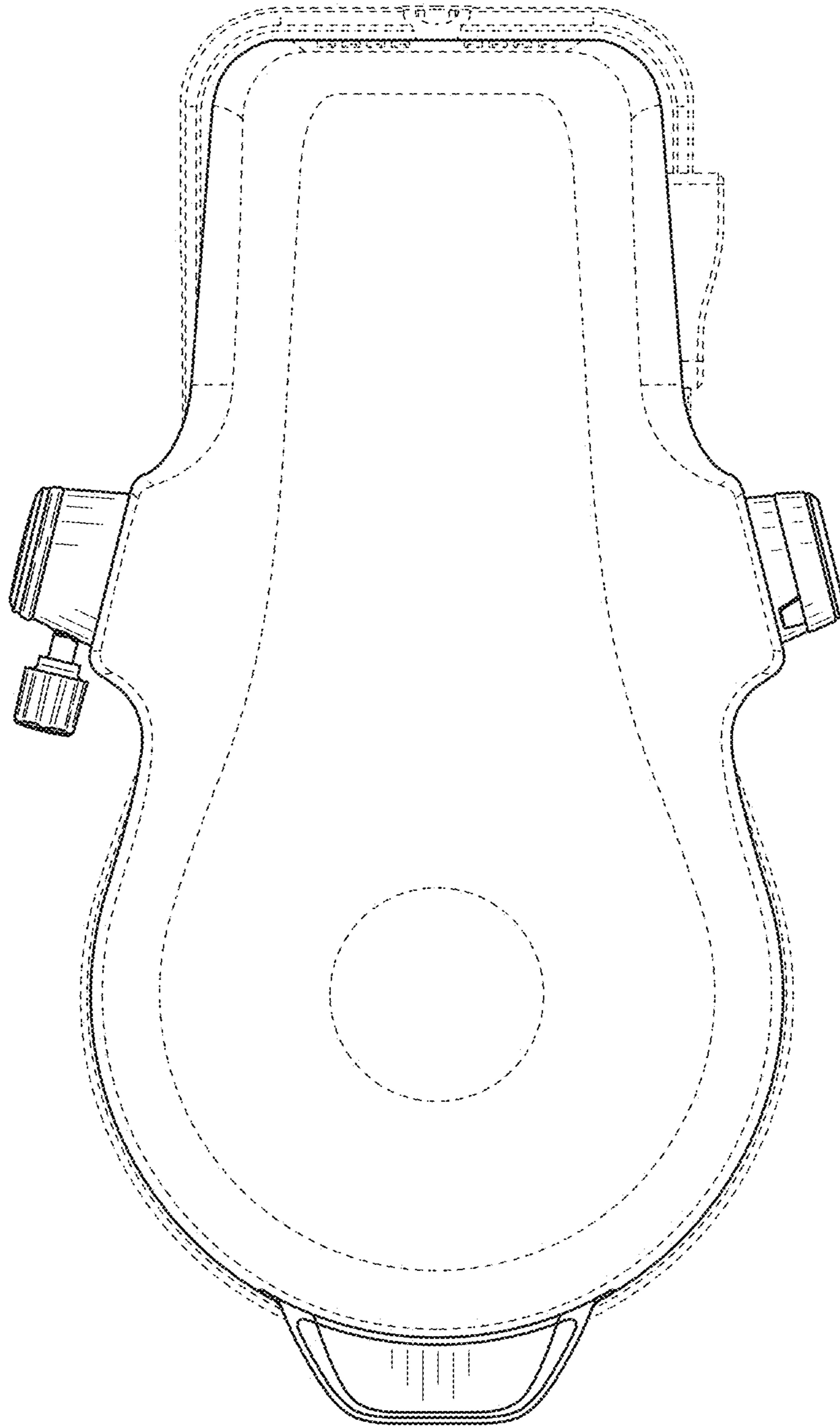


FIG. 7



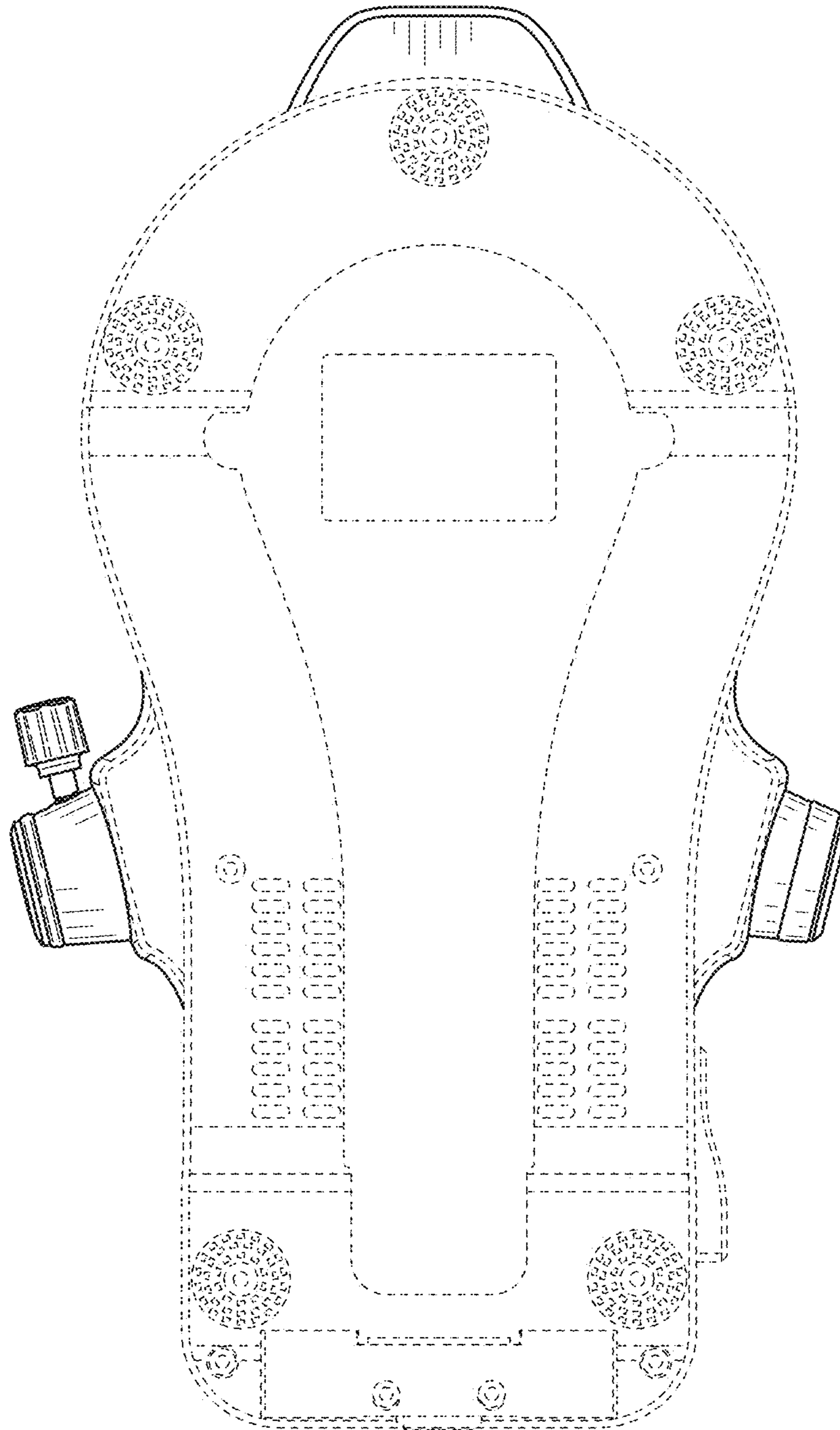


FIG. 8

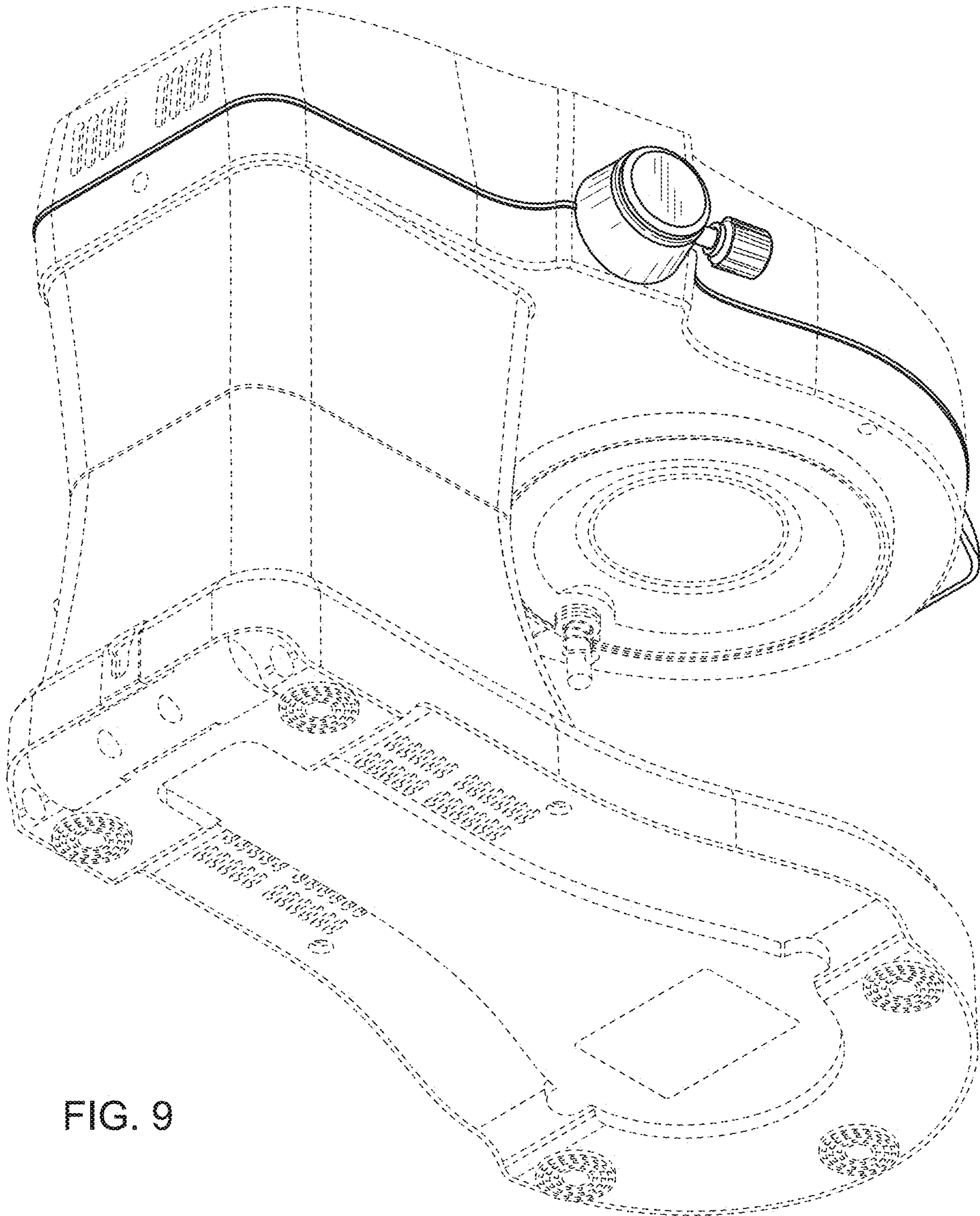


FIG. 9

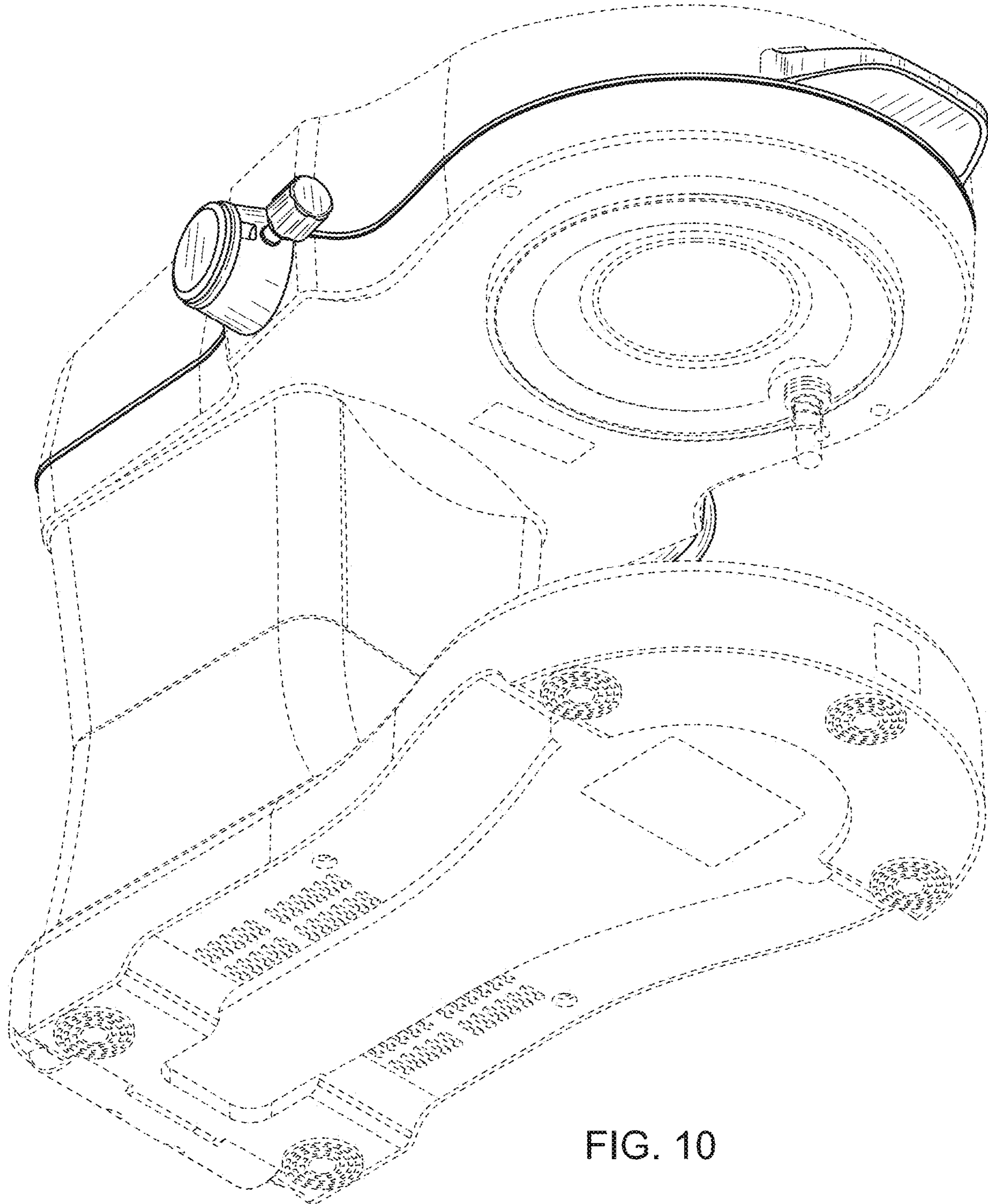


FIG. 10