



US00D891170S

(12) **United States Design Patent**  
**Joyner**

(10) **Patent No.:** **US D891,170 S**  
(45) **Date of Patent:** **\*\* Jul. 28, 2020**

- (54) **CHAFINGWARE SET**
- (71) Applicant: **Shaja Joyner**, Bowie, MD (US)
- (72) Inventor: **Shaja Joyner**, Bowie, MD (US)
- (73) Assignee: **Table Dress Boutique, LLC**, Bowie, MD (US)
- (\*\*) Term: **15 Years**
- (21) Appl. No.: **29/724,953**
- (22) Filed: **Feb. 20, 2020**
- (51) **LOC (12) Cl.** ..... **07-02**
- (52) **U.S. Cl.**  
USPC ..... **D7/355**
- (58) **Field of Classification Search**  
USPC ..... D7/323, 354-366, 391, 393-396, 409  
CPC ..... A47G 19/12; A47J 27/00; A47J 27/002;  
A47J 27/08; A47J 27/21; A47J 27/58;  
A47J 36/025; A47J 36/06; A47J 36/12;  
A47J 36/24; A47J 36/2405; A47J 37/00;  
A47J 37/10; A47J 37/101; A47J 37/103;  
A47J 37/12; A47J 37/1204; A47J 39/006;  
A47J 45/061; A47J 45/071; A47J 45/08;  
H05B 6/12  
See application file for complete search history.

- D433,272 S \* 11/2000 Park ..... D7/355
  - D437,181 S \* 2/2001 Park ..... D7/355
  - 6,526,875 B1 3/2003 Dzbinski
  - D488,669 S \* 4/2004 Tse ..... D7/355
  - 6,872,920 B2 \* 3/2005 Haber ..... A47J 36/06  
219/430
  - D645,298 S 9/2011 Saboe
  - D845,060 S \* 4/2019 Joyner ..... D7/355
  - D866,239 S 11/2019 Amirault
  - 10,555,639 B2 \* 2/2020 Casternovia ..... A47J 39/006
- (Continued)

Primary Examiner — Ricky Pham

(57) **CLAIM**

The ornamental design for a chafingware set, as shown and described.

**DESCRIPTION**

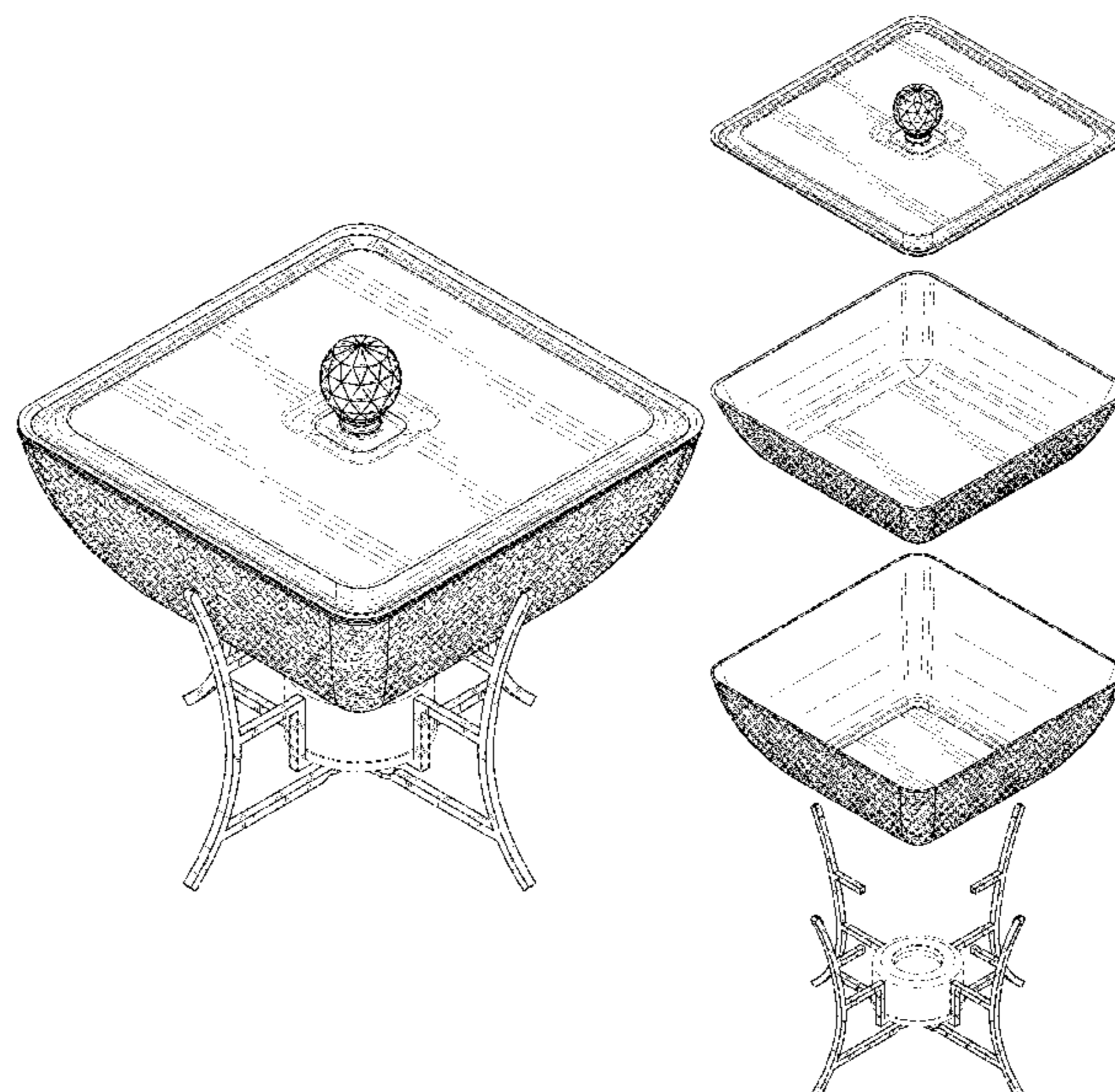
FIG. 1 is a front, first side, and top perspective view of a chafingware set embodying the new design;  
 FIG. 2 is a front, first side, and bottom perspective view thereof;  
 FIG. 3 is a front view thereof;  
 FIG. 4 is a back view thereof;  
 FIG. 5 is a first side view thereof;  
 FIG. 6 is a second side view thereof;  
 FIG. 7 is a top view thereof;  
 FIG. 8 is a bottom view thereof;  
 FIG. 9 is an exploded perspective view of the design of FIG. 1, illustrating the cover, serving bowl, and warming bowl separated from the stand;  
 FIG. 10 is a front, first side, and top perspective view of the stand in an open position; and,  
 FIG. 11 is a front, first side, and top perspective view of the stand in a closed open position.  
 The broken line portions of the figure drawings are included to show unclaimed subject matter only for the purpose of illustrating environment and forms no part of the claimed design.

(56) **References Cited**

**U.S. PATENT DOCUMENTS**

- D35,501 S 12/1901 Savage
- D146,832 S \* 5/1947 O'Connell ..... D7/355
- D150,157 S 7/1948 O'Connell
- D168,905 S \* 2/1953 O'Connell ..... D7/355
- D181,298 S 10/1957 Lax
- D213,899 S 4/1969 Rickmeier
- D225,169 S \* 11/1972 McGowan ..... D7/366
- 4,873,921 A 10/1989 Piane
- 5,045,672 A 9/1991 Scott
- 5,381,729 A 1/1995 Hennessy

**1 Claim, 11 Drawing Sheets**



(56)

**References Cited**

U.S. PATENT DOCUMENTS

2003/0192525 A1\* 10/2003 Ruiseco ..... A47J 36/24  
126/33  
2005/0167381 A1\* 8/2005 Fariello ..... A47J 36/24  
211/181.1  
2016/0157676 A1\* 6/2016 Difante ..... A47J 36/2405  
126/33  
2017/0196403 A1\* 7/2017 Treyes ..... A47J 36/24

\* cited by examiner

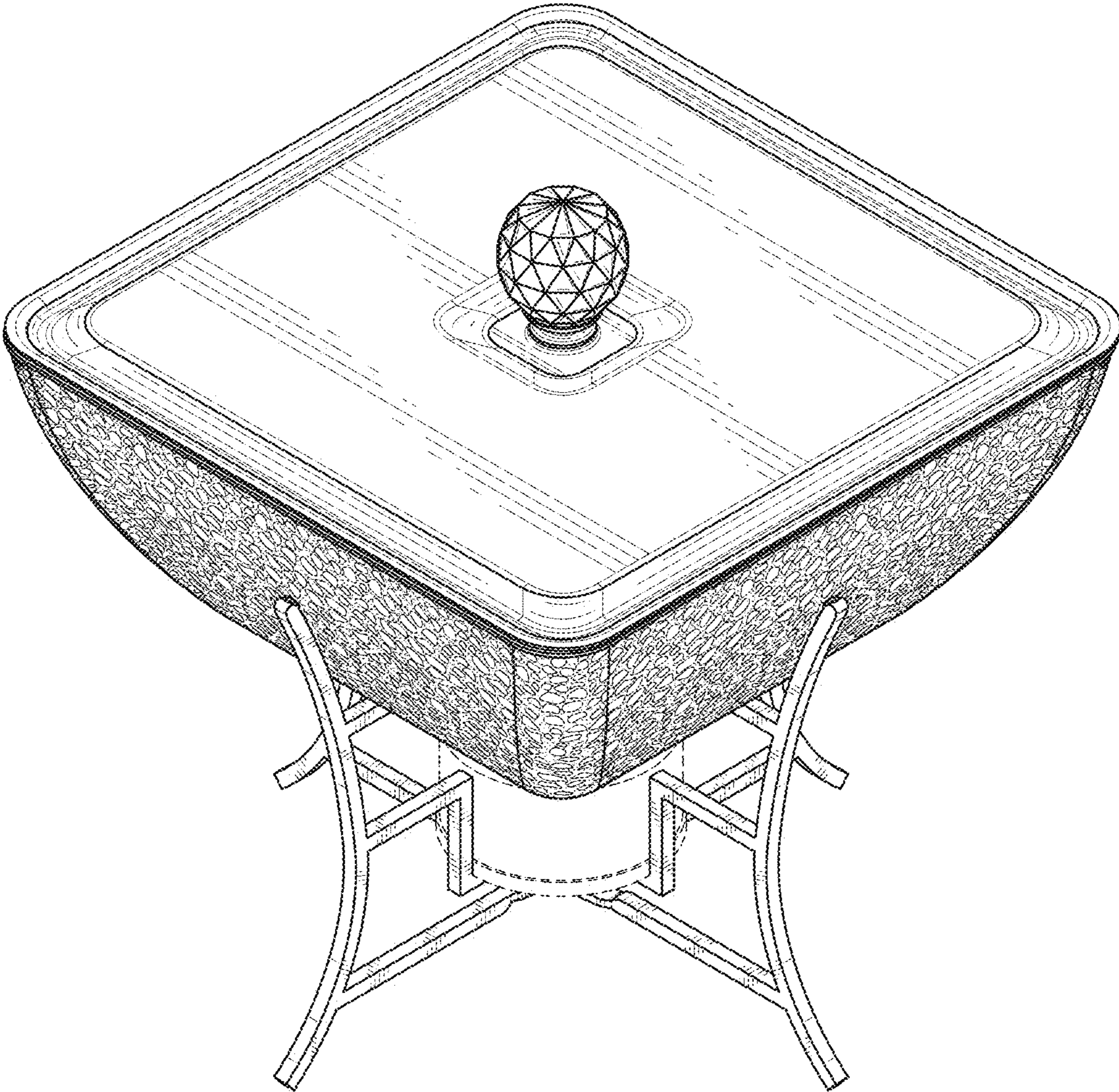


FIG. 1

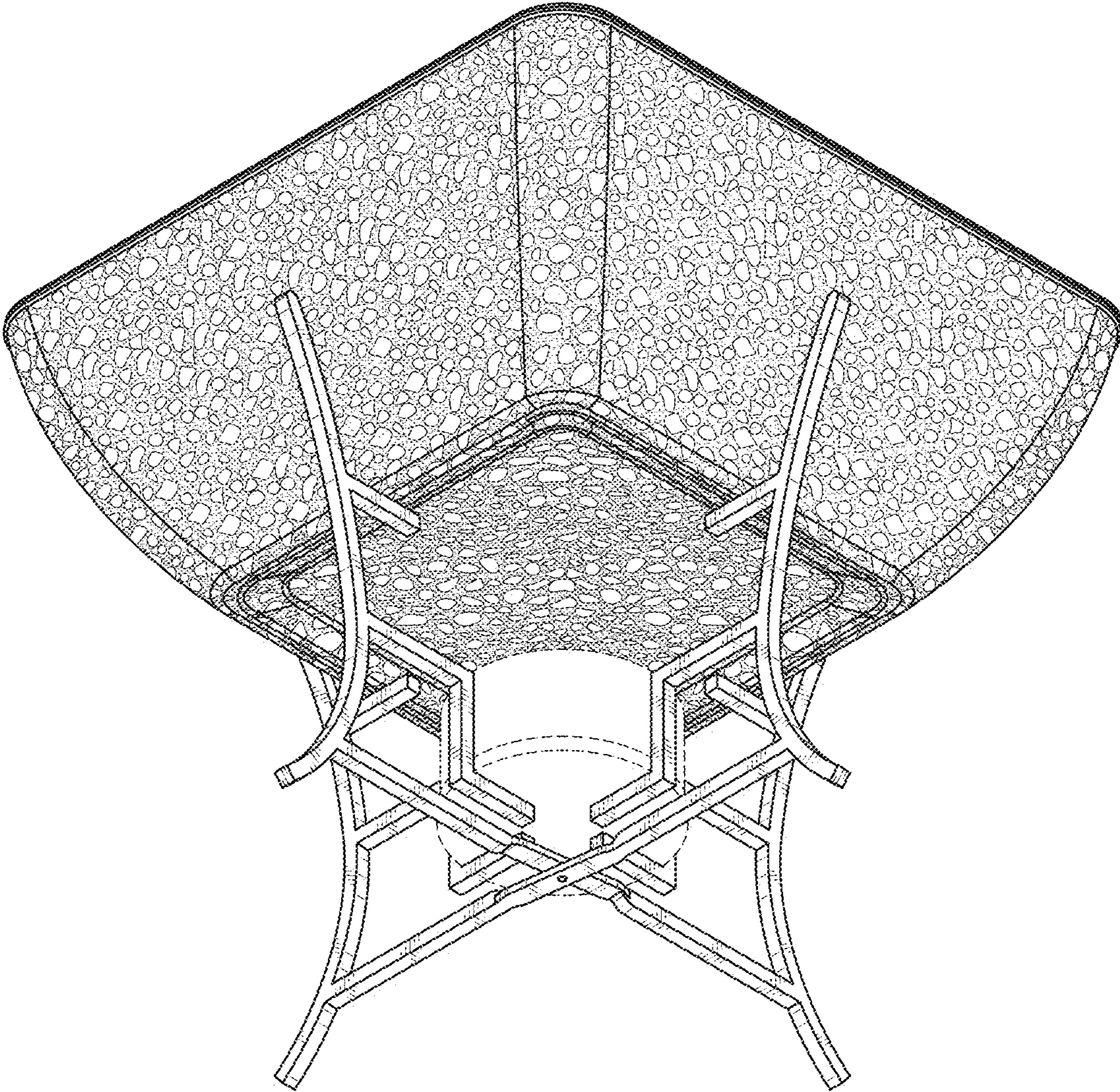


FIG. 2

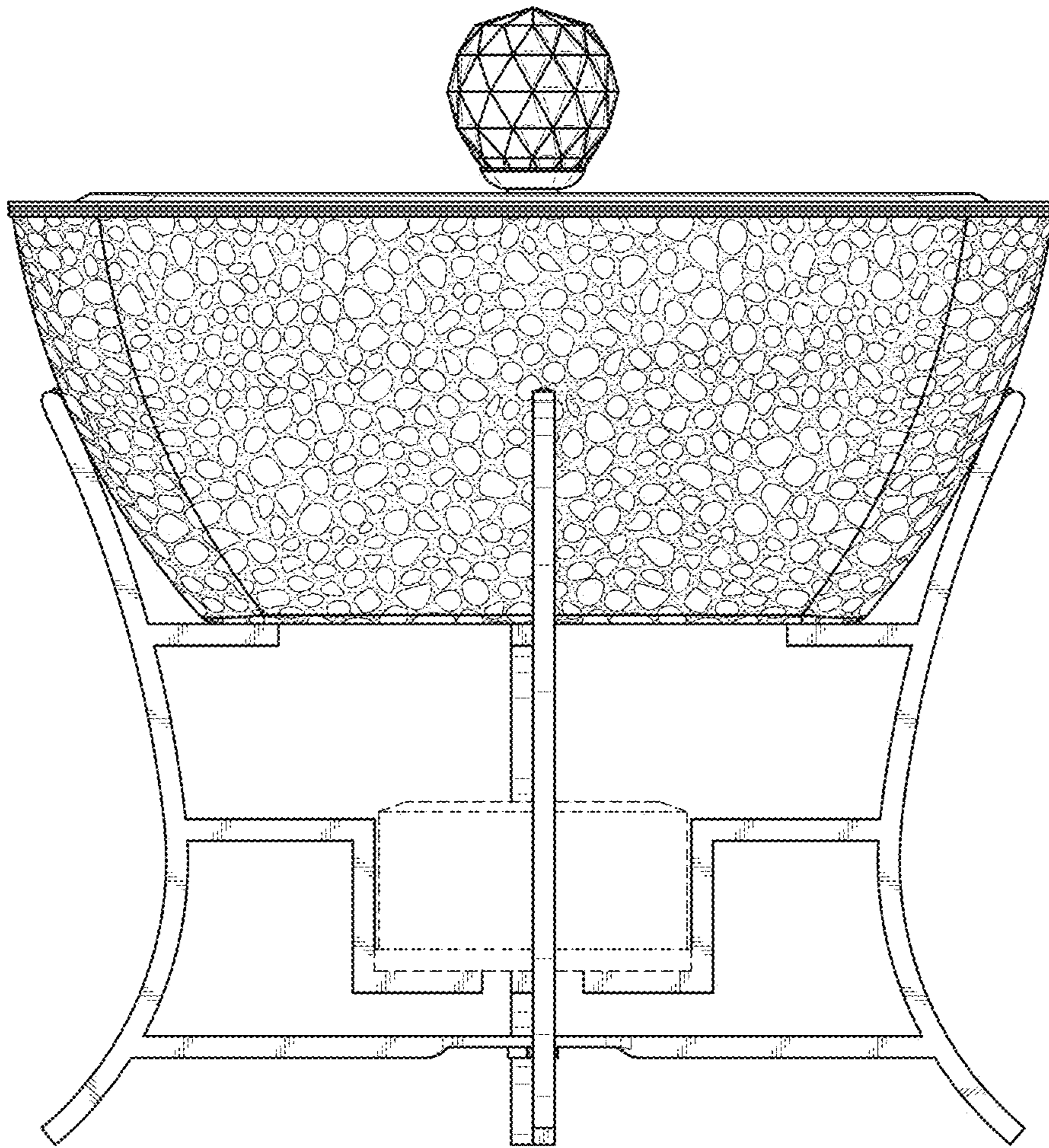


FIG. 3

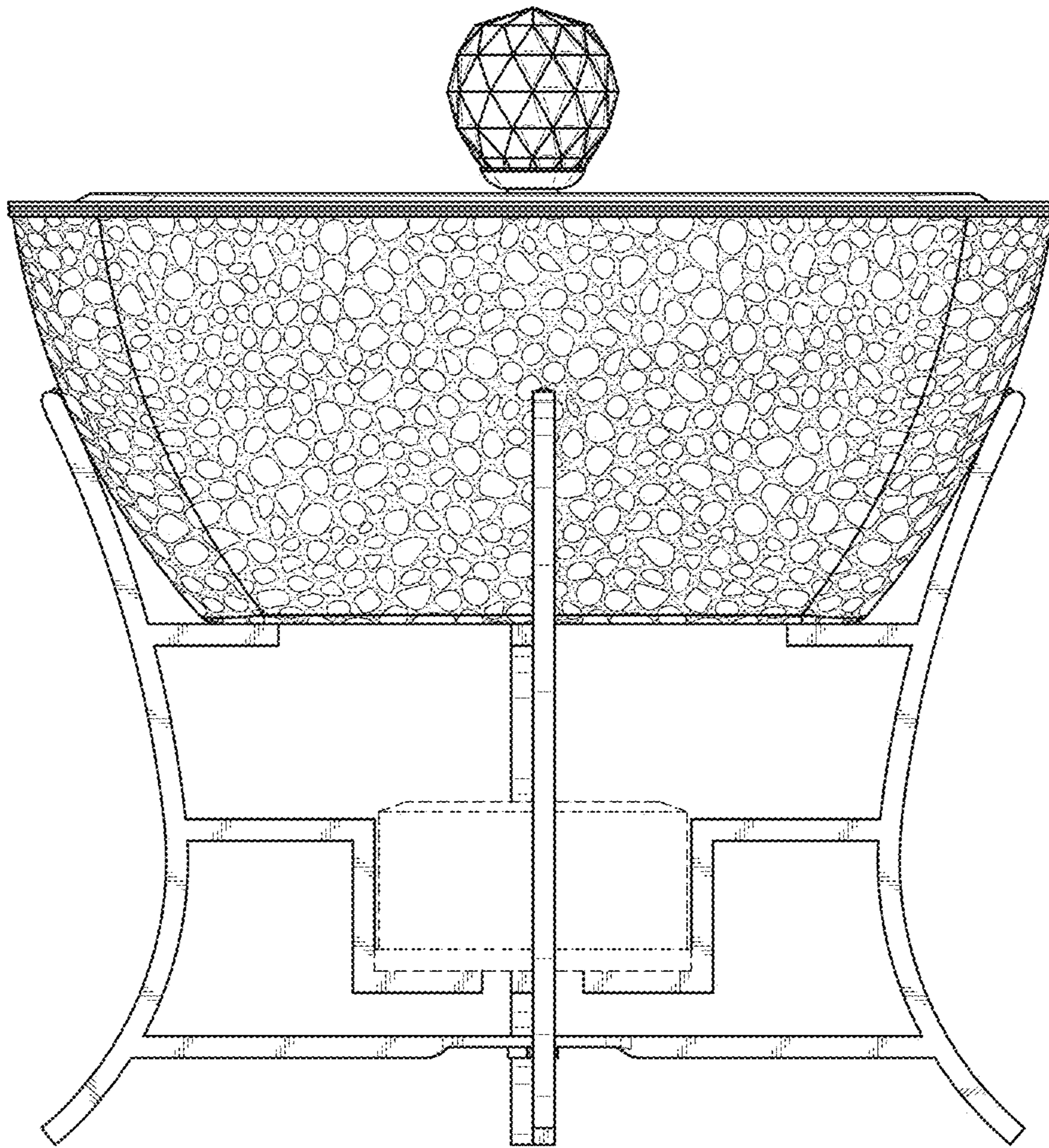


FIG. 4

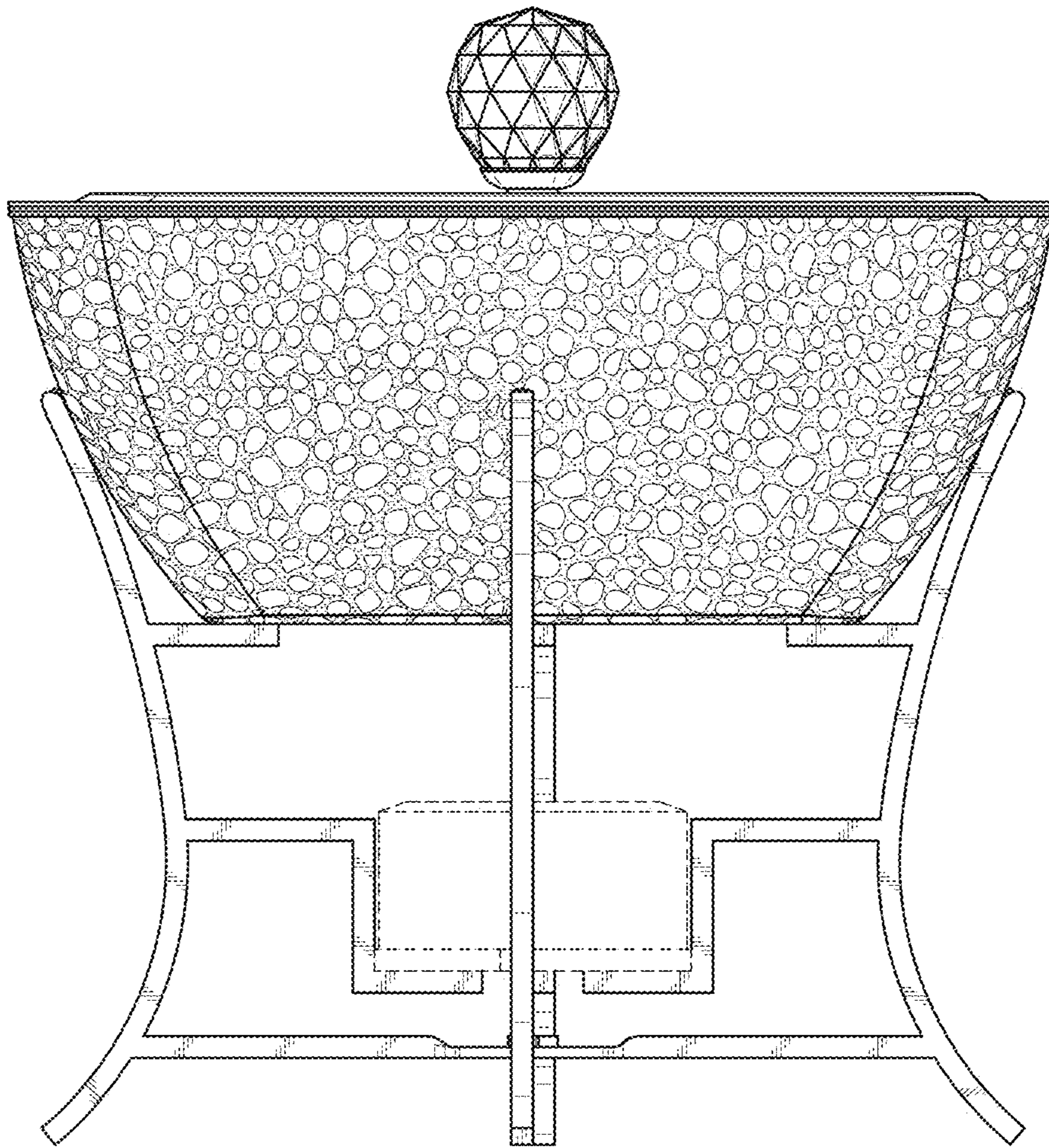


FIG. 5

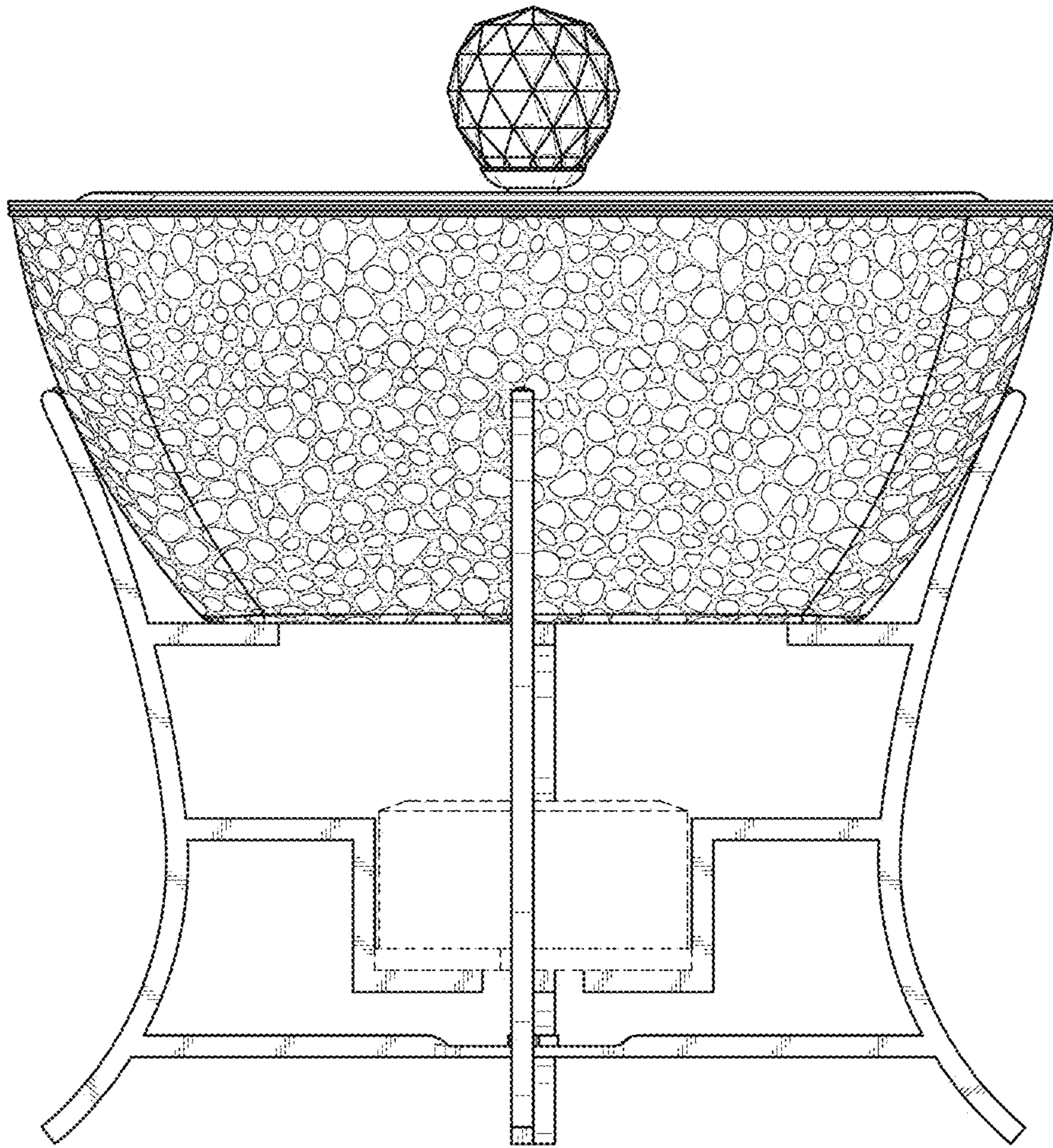


FIG. 6



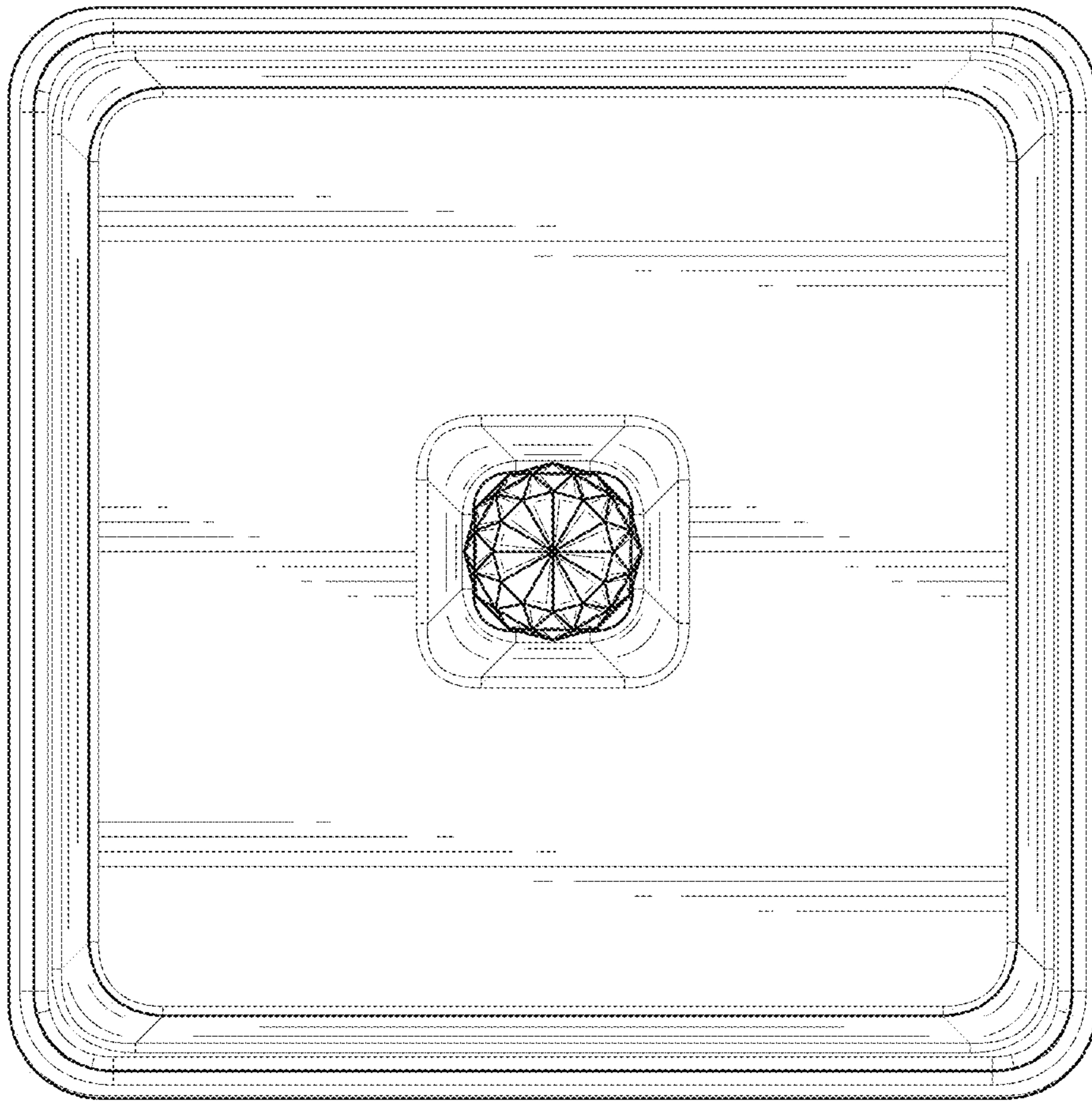


FIG. 7

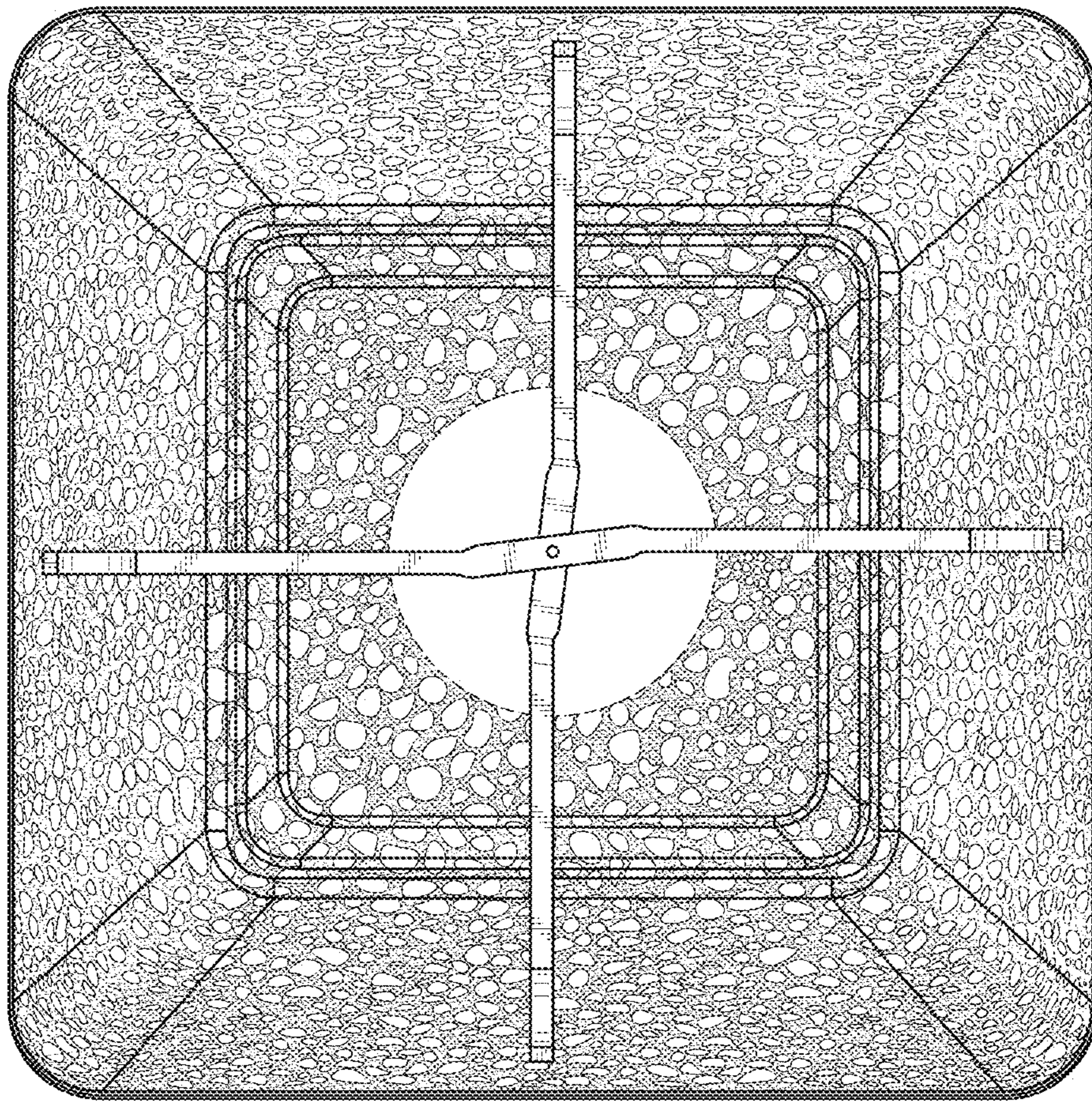
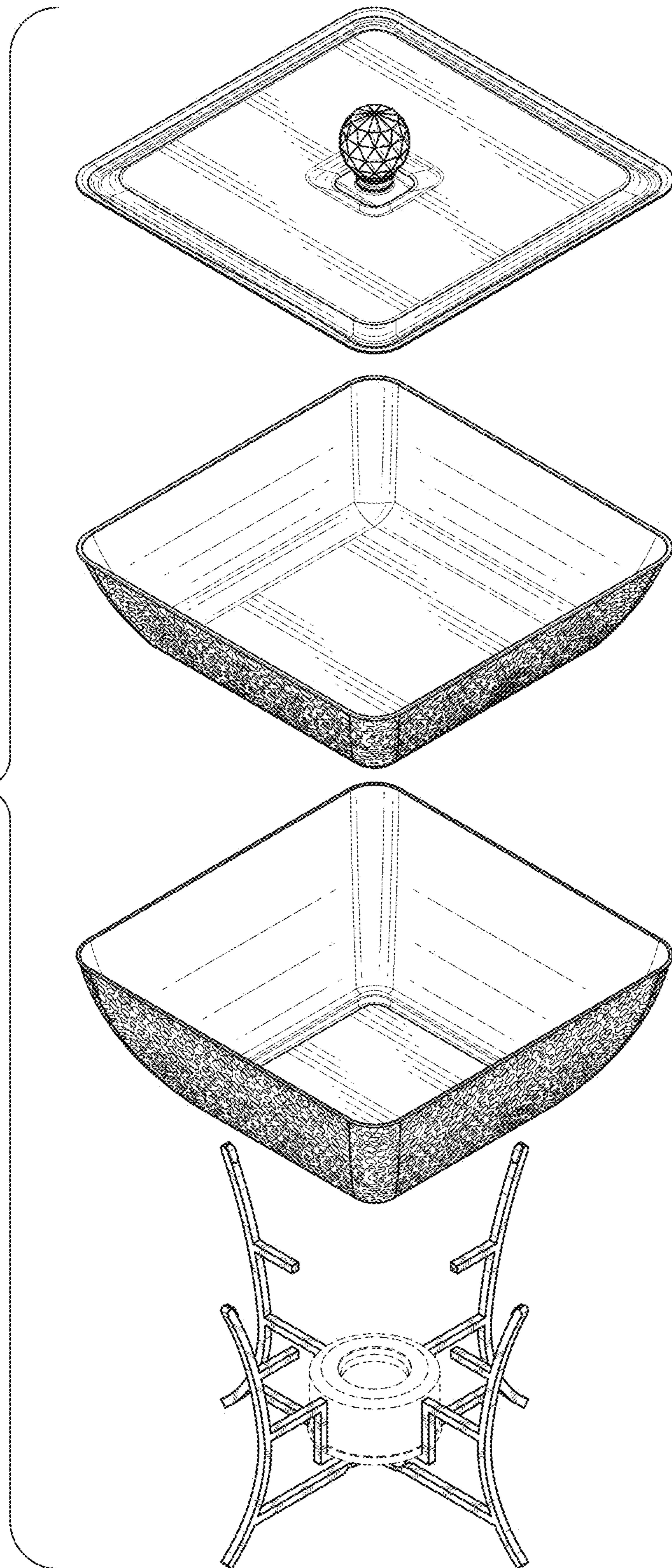


FIG. 8

FIG. 9



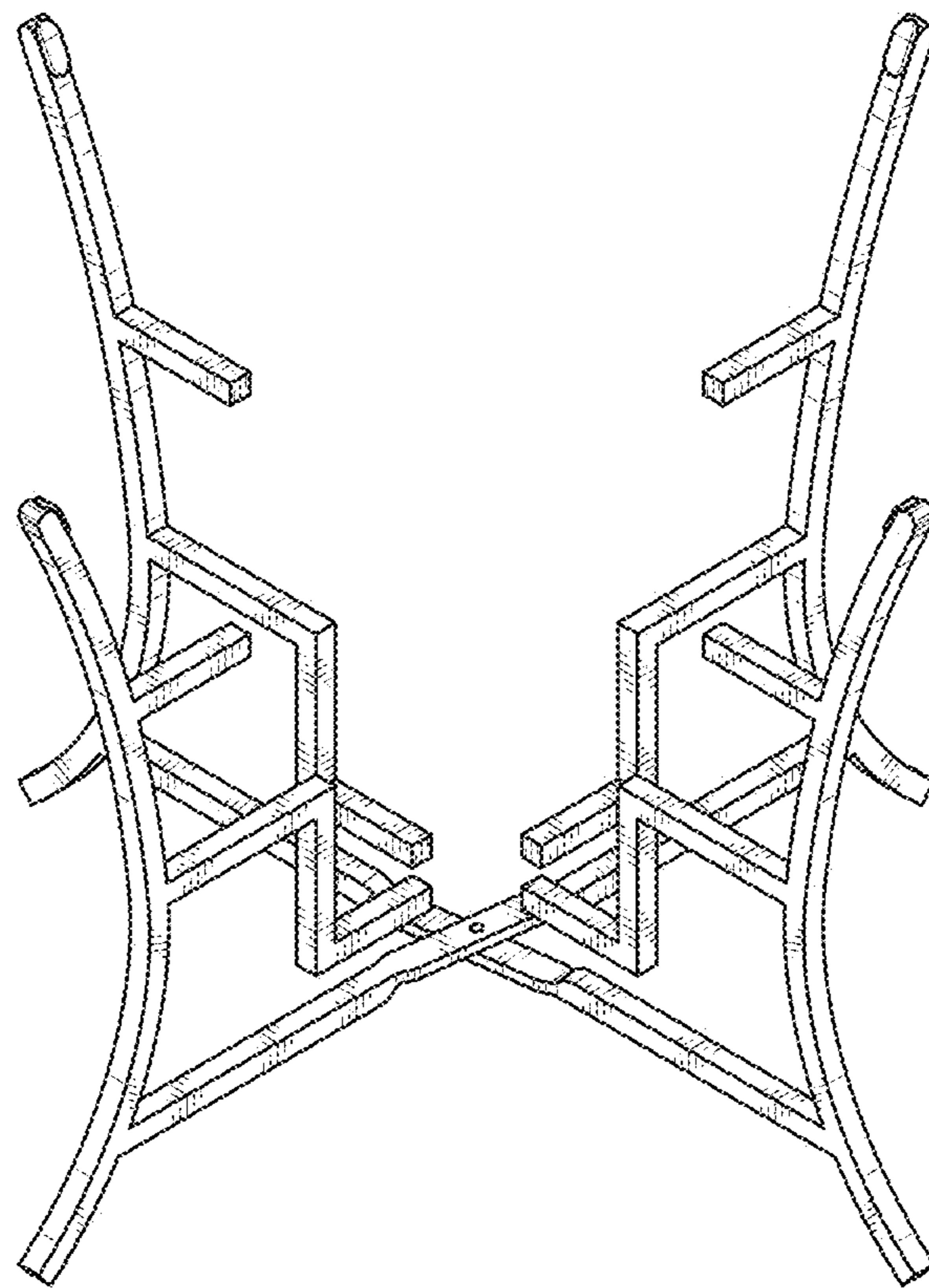


FIG. 10

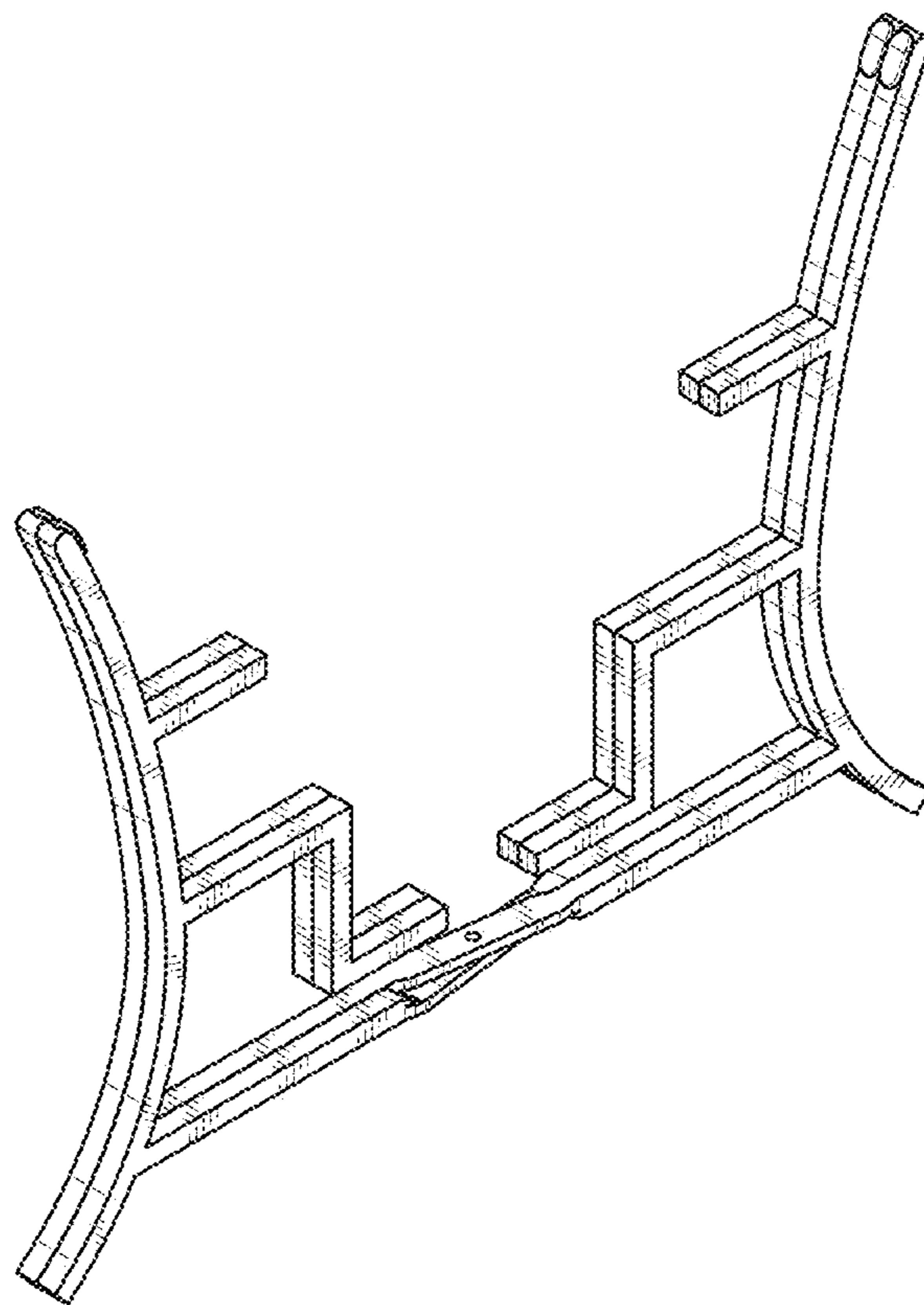


FIG. 11